

CENTRAL INTELLIGENCE AGENCY

INFORMATION REPORT

This Document contains information affecting the National Defense of the United States, within the meaning of Title 18, Sections 793 and 794, of the U.S. Code, as amended. Its transmission or revelation of its contents to or receipt by an unauthorized person is prohibited by law. The reproduction of this form is prohibited.

SECRET  
SECURITY INFORMATION

25X1

COUNTRY	USSR (Leningrad Oblast)	REPORT	
SUBJECT	New Type Soviet Submachine Gun and Carbine	DATE DISTR.	29 April 1953
DATE OF INFO.		NO. OF PAGES	5
PLACE ACQUIRED		REFERENCE NO.	RD
		REFERENCES	25X1

This is UNEVALUATED Information

THE SOURCE EVALUATIONS IN THIS REPORT ARE DEFINITIVE.  
THE APPRAISAL OF CONTENT IS TENTATIVE.  
(FOR KEY SEE REVERSE)

25X1

25X1

1. [redacted] f  
the Krasnoselskiy Guards, Order of Aleksandr Nevskiy Rifle Regiment. [redacted] three original companies, composed of old soldiers, were being used to clear away some mine fields in the Leningrad and Novgorod oblasts. Only service personnel such as signal men, drivers, and cooks were then living in the barracks.

2. Soldiers of the Krasnoselskiy Regiment were equipped with new type submachine guns and carbines [redacted] 25X1  
The regiment's new recruits, who were organized into three companies at the start of basic training, were issued old type PPSH submachine guns and the old type of carbine.

3. The new Soviet submachine gun [note sketch on p. 4] had a removable wooden stock and was equipped with a handle grip. Some of these submachine guns had, instead of wooden stocks, collapsible metal frame stocks similar to those of the German World War II machine guns. A new feature of the Soviet weapon was a gas manifold (a gas-returning metal tube) placed on the top of its body to cause the recoil of the bolt and to eject the cartridge cases. The body of

25 YEAR RE-REVIEW

SECRET

STATE	#x	ARMY	#x	NAVY	#x	AIR	#x	FBI		AEC			
-------	----	------	----	------	----	-----	----	-----	--	-----	--	--	--

25X1

872

SECRET

25X1

-2-

this submachine gun was considerably longer (400 mm.) than that of the PPSH, but the jacket was much shorter. The barrel was not entirely covered by the jacket but protruded approximately 80 mm. This submachine gun was provided with a removable knife-type bayonet. The magazine was flat and held 30 rounds. Cartridges were somewhat longer than for the PPSH and the top of the projectile was more pointed. These cartridges could be used for both this new submachine gun and the new type carbine See next paragraph. The rear sight was the same type as that used on the rifle. The submachine gun, like the PPSH, could be used for either single or automatic fire. [redacted] its weight was slightly heavier than that of the PPSH. The opening on the right side of the action was very narrow, sufficient only for horizontal manipulation of the bolt's handle. [redacted]

25X1

25X1

[redacted] the weapon was not collapsible in the middle like the PPSH. In general, the new submachine gun looked very similar to the German World War II submachine gun.

4. The new Soviet carbine was of the same length as the old M-44, but somewhat heavier Note sketch on p.57. It was provided with a non-removable, collapsible knife-type bayonet. When not in use, the bayonet was switched back to lie in a special groove in the bottom of the stock. Like the new submachine gun, this carbine was provided with a gas manifold for the recoil of the bolt and the ejection of cartridge. The bolt was completely covered from the sides and top, except for a slit on the right side for the bolt's handle. The clip held 10 rounds of the universal new submachine gun - carbine ammunition. This carbine could be fired automatically or could fire single shots. The principle of volley firing was the same as with the submachine guns. The clip was placed into the magazine from the bottom part of the stock. [redacted]

25X1

5. Until they had taken the military oath at the end of the basic training period, new recruits in Svobodnoye were not allowed by their superiors to come close to these new submachine guns or carbines. [redacted]

[redacted] these new weapons were considered military secrets and were issued only to some troops of the Leningrad and Far Eastern military districts. Even in these military districts, in order to preserve the required degree of secrecy, they were issued only to troops stationed in military settlements away from inhabited localities. [redacted]

25X1

6.

25X1

7.

25X1

[redacted] a new AAMG. It probably had a caliber of 12 mm. It had two barrels and was air-cooled. The ammunition for this AAMG was placed in belts. The firing was done by foot pressure. The carriage was on two wheels. No firing could be

SECRET

## SECRET/SECURITY INFORMATION

-3-

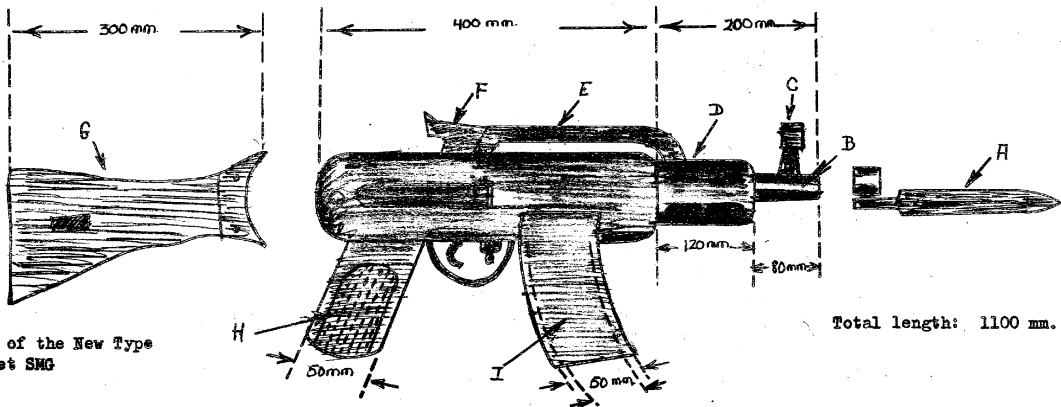
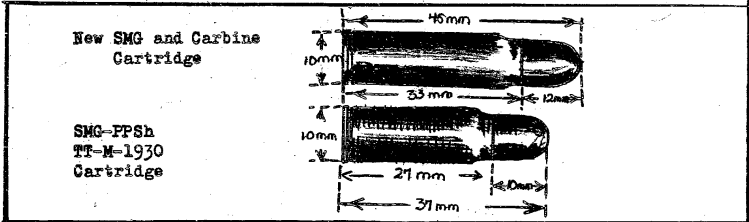
done while this weapon was being mounted on the carriage. [redacted]  
[redacted] this AAMG could be used both against ground targets and  
aircraft. The crew consisted of five members, and the weapon was 25X1  
towed by a GAZ-51 4-wheel, 2½ ton truck. The sighting device  
for this machine gun was in the form of a box 15 x 10 x 6 cm. with  
a combination of reflecting mirrors and a dim screen with sight lines  
forming a cross. This sighting device was co-axial, fastened  
permanently on the machine gun's barrel. Sighting and firing were done  
simultaneously, always following the target in the sight.

SECRET

SECRET/SECURITY INFORMATION

**Legend**

- A. Bayonet
- B. Barrel
- C. Front sight
- D. Jacket
- E. Gas manifold
- F. Rear sight
- G. Stock
- H. Handle grip
- I. Magazine with 30 cartridges



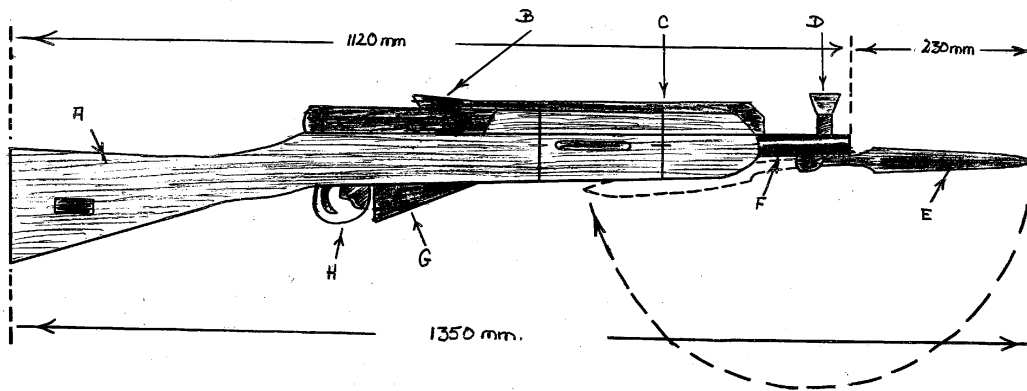
Memory Sketch of the New Type Soviet SMG

Total length: 1100 mm.

SECRET

Legend

- A. Stock
- B. Rear sight
- C. Gas manifold
- D. Front sight
- E. Bayonet
- F. Barrel
- G. Magazine with 10 cartridges
- H. Trigger housing



Memory Sketch of the New Type  
Soviet Carbine

Total length: 1350 mm.