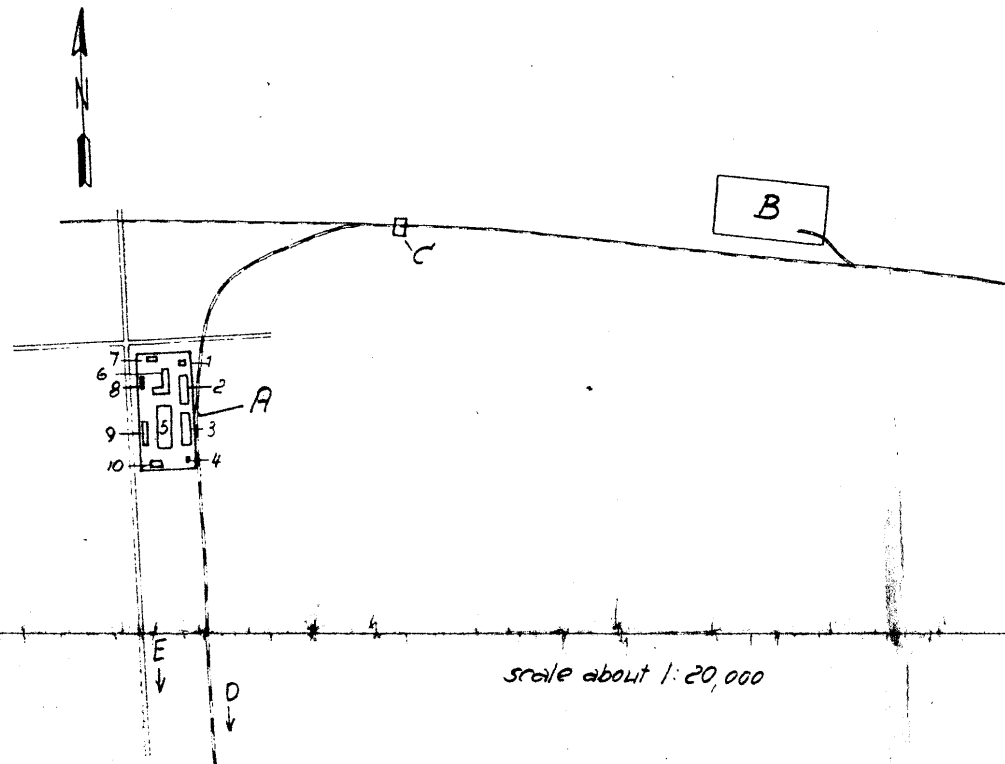


CONTROL - US OFFICIALS ONLY

"Flugov" Plant in LENINGRAD, Leningrad PD



This material procured by Central Intelligence Agency

scale about 1:20,000

Legend:

- A "Flugov" Plant
- 1 "Santekh" plant, workshop for the production of sanitary installations, 100x55x20 ft.; it does not form part of the "Flugov" Plant
- 2 Workshop, 330x100x40 ft., only equipped with forge-hammers
- 3 Workshop, 330x100x40 ft., hardening and galvanizing shop. Sawing blades of all types and other tools were being hardened, galvanized and polished there
- 4 Plumber shop, 33x33x13 ft., in charge of repair work in the plant
- 5 Workshop, 500x200x40 ft. The shop was equipped with modern machine tools, such as lathes, milling and planing machines, punching machines and presses. The turbines represented in sketch 2 and made of highly polished light metal were manufactured in this shop. A circular light-metal case of a diameter of about 40 in. housed a turbine wheel with 30 to 40 blades, likewise of highly-polished light metal.
- 6 L-shaped building, 265x165x65 ft., 33 ft. high. Various apparatus; men in white shacks worked at them
- 7 Administration building, about 135x33x33 ft.
- 8 Fire department, 135x50x25 ft., equipped with 3 or 4 Soviet fire engines
- 9 Storage shed for iron rods and flat iron, about 265x35x16 ft.
- 10 Mechanical workshop equipped with lathes, milling machines and joiner's benches. No details on production available

50X1-HUM

50X1-HUM

"Red October" Plant No. 466  
Small RR station

Karl Marx Street, direction of town center

**CONFIDENTIAL**

CONTROL - US OFFICIALS ONLY

50X1-HUM

50X1-HUM

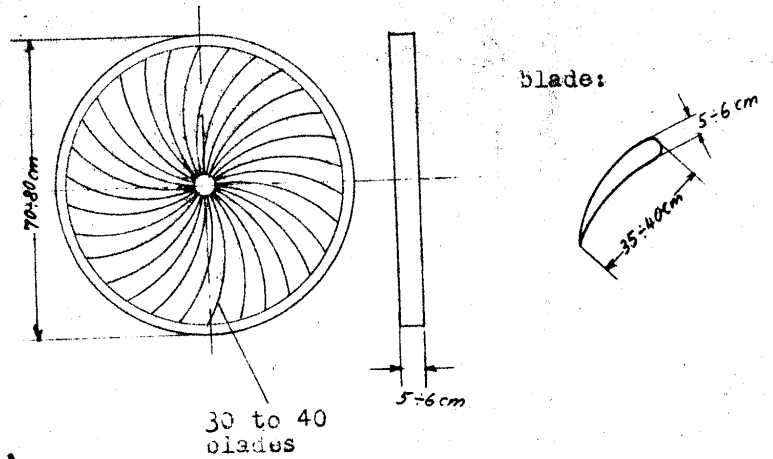
CONTROLLED DISTRIBUTION

~~SECRET~~

50X1-HUM

Turbine Observed in the LENINGRAD "Flugov" Plant

This material procured by  
Central Intelligence Agency



30 to 40  
blades

blade:

~~SECRET~~

CONTROL - US OFFICIALS ONLY

CONTROLLED DISTRIBUTION

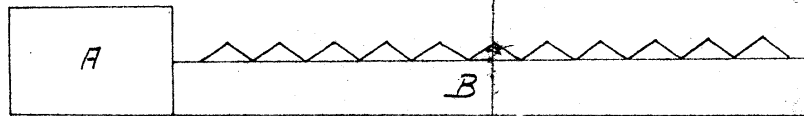
~~SECRET~~

Side View of Workshop in the LENINGRAD "Red October" Plant

50X1-HUM

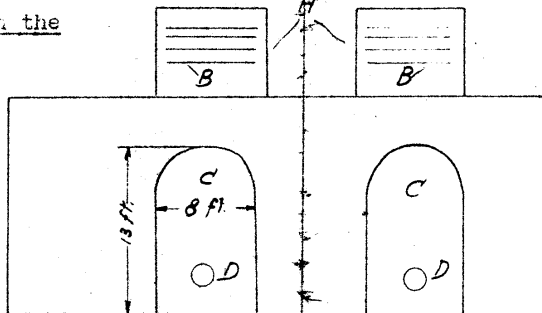
Legend:

- A Office section, 3 or 4 stories, about 65 ft. high
- B Workshop, 500 ft. long, 33 ft. high, skylights about 6.5 ft. high



Front and Plan Views of Workshop in the LENINGRAD "Red October" Plant

Annex 4

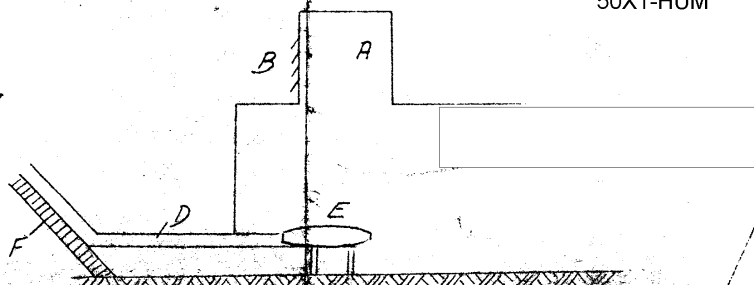


Legend:

- A Tower
- B Ventilation system
- C Doors
- D Pipes
- E Powerplant on undercarriage
- F Steel skeleton frame filled with brickwork

50X1-HUM

This material procured by Central Intelligence Agency



~~SECRET~~

CONTROLLED DISTRIBUTION

SECRET

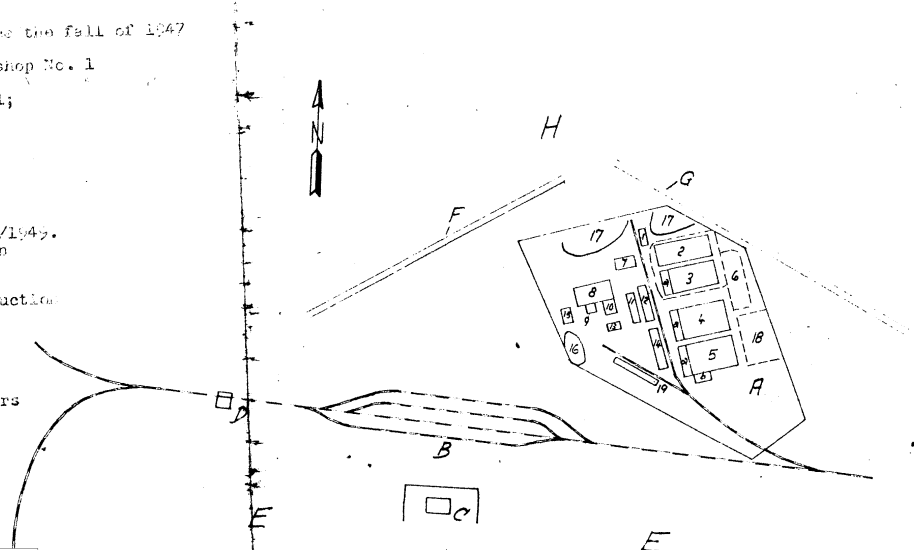
50X1-HUM

Location D "Pluzoy" Plant

Legend:

- A "Pluzoy" Plant No. 465
  - 1 Small plant for the production of slug stones
  - 2 Iron framework, rusted, not completed
  - 3 Workshop No. 1, 465x135x33 ft., in operation since the fall of 1947
  - 4 Administration building, 6 1/2 ft. high
  - 5 Workshop No. 3, dimensions same as those of Workshop No. 1 (Production of electric motors)
  - 6 Workshop No. 4; dimensions same as Workshop No. 1; scheduled to be completed in the summer of 1949
  - 5b New test stands
  - 6 Site of PW camp
  - 7 Workshop No. 27, foundry and electric station
  - 8 Workshop, production of engines and parts
  - 9 New test stands
  - 10 Workshop No. 14, car body
  - 11 Workshop No. 10, completed in the winter of 1948/1949. Workbenches, annealing furnaces, electric station
  - 12 Forge
  - 13 Shed, workplace of source
  - 14 Workshop No. 19, 4 stories, design bureaus, production of semi-finished goods
  - 15 Boilerhouse
  - 16 Fuel dump
  - 17 Scrap dump
  - 18 Site, allegedly scheduled to be built up
  - 19 Loading ramp and storage sheds for electric motors
- B Freight station
- C Bread factory
- D RR station
- E Town area
- F Street and street car line
- G Street
- H Settlement area
- I "Pluzoy" Plant

KASIN D SW 100 001



50X1-HUM

scale about 1:11,000

CONTROL - US OFFICIALS ONLY

SECRET