

TOP SECRET

25X1

TS 202154  
Copy 15 of 15

23 November 1971

MEMORANDUM FOR THE RECORD

SUBJECT: DCI Briefing of the Full Senate Armed Services  
Committee - 23 November 1971

1. The Director briefed the full Senate Armed Services Committee on 23 November 1971. The meeting lasted from 1010 hours to 1230 hours. A technical sweep of the room, 212 Old Senate Office Building, was conducted and the room was kept under technical monitoring throughout. Discussions included SI and TKH material. No transcript was taken.

2. Present for all or part of the session were:

John Stennis (D., Miss.), Chairman  
Stuart Symington (D., Mo.)  
Howard W. Cannon (D., Nev.)  
Thomas J. McIntyre (D., N.H.)  
Harry F. Byrd (I, Va.)  
Margaret Chase Smith (R., Me.)  
Strom Thurmond (R., S. C.)  
Peter H. Dominick (R., Colo.)  
Barry Goldwater (R., Ariz.)  
Richard S. Schweiker (R., Pa.)  
William B. Saxbe (R., Ohio)

3. Present from the Committee staff was:

T. Edward Braswell, Chief Counsel and Staff Director

TOP SECRET

25X1

TOP SECRET

25X1

4. Accompanying the Director were:

Carl Duckett, DDS&T

Bruce Clarke, D/OSR

George Carver, SAVA

[redacted] OCI

[redacted] OCI

John M. Maury, Legislative Counsel

25X1  
25X1

5. The Chairman opened the meeting by recalling that the Director had given a similar world roundup briefing to the Committee early in the session, and he felt that another such briefing would be useful as the session drew to an end. He remarked that because of pressing matters on the floor there might be interruptions, and he would like the Director to cover his material as quickly as possible.

6. The Director proceeded to cover material from his prepared text (on file in OLC) dealing with Soviet strategic forces, Chinese military developments, Sino/Soviet relations, Middle East, India/Pakistan, Vietnam, Cambodia, Laos, Thailand, and (in response to a question) the Chinese political situation.

7. Following the Director's prepared remarks, the Chairman commented that he had an understanding with the Director that any member could, at any time, call on the Director for a private briefing on situations in various parts of the world.

8. In response to questions from the Chairman, the Director then commented on the recent demonstrations in Okinawa and the strength and effectiveness of the South Vietnamese armed forces. The Chairman also inquired about recent events in Thailand, to which the Director responded that the same leaders were now in control and no changes in Thai foreign policy were expected.

[redacted]

25X6

10. Senator Cannon asked several questions about the security situation on Okinawa following its return to Japan, the Chinese military forces along the Soviet border, and the Chinese nuclear and strategic missile capabilities.

TOP SECRET

25X1

11. The Chairman then commented that he would have to leave for the floor, but before doing so wished to make a statement and had hoped Senator Symington would be present since he and Symington had discussed the matter which he wished to comment on. He referred to the White House announcement regarding the intelligence community and called attention to the National Security Act of 1947. He noted that the Director had, in accordance with his responsibilities under this Act, always "worn two hats"--one as Director of the Central Intelligence Agency and the other as Chairman of the U.S. Intelligence Board, in which capacity he had coordinated the work of the other U.S. intelligence agencies. He said the Committee had approved Mr. Helms as the Director--not anyone else--on the assumption that he would be in full charge of the CIA, subject only to the authority of the President. At this point Senator Symington returned to the room and the Chairman repeated his above points, adding that the Committee planned a full review of the intelligence community. He said he felt that the new arrangements announced in the White House release should be spelled out in an Executive Order. He added that he had not been consulted in advance regarding the "new plan" and that Senator Smith, the Ranking Minority Member, could speak for herself as to whether she had been consulted in advance. He added that he wished members of the Committee had been consulted.

12. The Chairman then asked the Director "to what extent, if any, does the new plan change your direction of CIA?" The Director responded "not at all" adding that he still had the same desk, same responsibilities and planned to carry on work in the same way. He said he could not abrogate these responsibilities and that the new arrangements actually consisted of only two points affecting his work: he had been asked to devote closer attention to the affairs of the intelligence community, and he had been given one specific new duty--that of preparing a consolidated intelligence program budget for the community. He added that he had not been consulted in advance about the new plan, but he had been asked his views on a proposal that the chief of the intelligence community sit in the White House, separated from any of the working agencies. He said he strongly opposed this, arguing that in such a position the chief would "have no troops," be just another member of the White House staff, and be unable to argue issues with the various intelligence agencies on their merits since the agencies would have all the facts and expertise. Senator Symington commented that he

TOP SECRET

TOP SECRET

25X1

was seriously concerned over the new plan and proposed to raise the matter on the floor this afternoon. He went on to say he would like to hear more about the European situation at an early briefing, and then asked some questions about the Arab/Israeli situation.

25X1



TOP SECRET

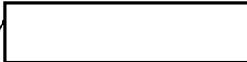
25X1

25X1

Approved For Release 2005/06/09 : CIA-RDP74B00415R000200020035-6

Approved For Release 2005/06/09 : CIA-RDP74B00415R000200020035-6

TOP SECRET/



25X1



25X1

21. In closing, Senator Stennis said he had several additional questions which he would submit in writing. He commented that the briefing had been extremely valuable and he hoped henceforth that four such briefings could be arranged for each session.

22. Following the briefing, Senator Dominick said he would like to be included in the private briefing requested by Senator Tower on the internal Chinese situation.

23. Follow up action:

a. Obtain and prepare replies to follow up questions from Chairman Stennis.

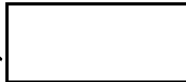


b. Arrange for private briefing of Senators Dominick and Tower on the internal Chinese situation.



25X1

JOHN M. MAURY  
Legislative Counsel

Distribution:

- Copy 1 - Subject
- Copy 2 - DCI
- Copy 3 - DDCI
- Copy 4 - Ex/Dir
- Copy 5 - Mr. Colby
- Copy 6 - DDI
- Copy 7 - DDS&T
- Copy 8 - SAVA
- Copy 9 - D/OSR
- Copy 10 - 
- Copy 11 - 
- Copy 12 - OGC
- Copy 13 - NIPE
- Copy 14 -  Security
- Copy 15 - OLC Chrono

TOP SECRET/



25X1

UPCLASSIFIED when blank. Approved For Release 2005/06/09 : CIA-RDP74B00415R000200020035-6  
 Classified in form is detached from controlled document.

CONTROL AND COVER SHEET FOR TOP SECRET DOCUMENT

DOCUMENT DESCRIPTION		<p><b>DCI Briefing of Full Senate Armed Services Committee</b>  <b>23 November 1971</b></p>	REGISTRY	
Source			CIA Control No.	
Doc. No.	OLC		Date Document Received	202154
Doc. Date	23 Nov 71		Logged By	
Copy No.	15			
Number of Pages	of 15			
Number of Attachments			34	

ATTENTION: This form will be placed on top of and attached to each Top Secret document received by the Central Intelligence Agency or classified Top Secret within the CIA and will remain attached to the document until such time as it is downgraded, destroyed, or transmitted outside of CIA. Access to Top Secret matter is limited to Top Secret Control personnel and those individuals whose official duties relate to the matter. Top Secret Control Officers who receive and/or release the attached Top Secret material will sign this form and indicate period of custody in the left-hand columns provided. Each individual who sees the Top Secret document will sign and indicate the date of handling in the right-hand columns.

REFERRED TO	RECEIVED			RELEASED		SEEN BY			
	Office	Signature	Date	Time	Date	Time	Signature	Office/Div.	Date

NOTICE OF DETACHMENT: When this form is detached from Top Secret material it shall be completed in the appropriate spaces below and transmitted to Central Top Secret Control for record.

DOWNGRADED		DESTROYED		DISPATCHED (OUTSIDE CIA)	
TO		BY (Signature)		TO	
By (Signature)		WITNESSED BY (Signature)		BY (Signature)	
OFFICE	DATE	OFFICE	DATE	OFFICE	DATE

TS 202154 Cy 15 of 15 23 Nov 71

Approved For Release 2005/06/09 : CIA-RDP74B00415R000200020035-6

Approved For Release 2005/06/09 : CIA-RDP74B00415R000200020035-6