

CENTRAL INTELLIGENCE AGENCY

INFORMATION REPORT

This Document contains information affecting the National Defense of the United States, within the meaning of Title 18, Sections 793 and 794, of the U.S. Code, as amended. Its transmission or revelation of its contents to or receipt by an unauthorized person is prohibited by law. The reproduction of this form is prohibited.

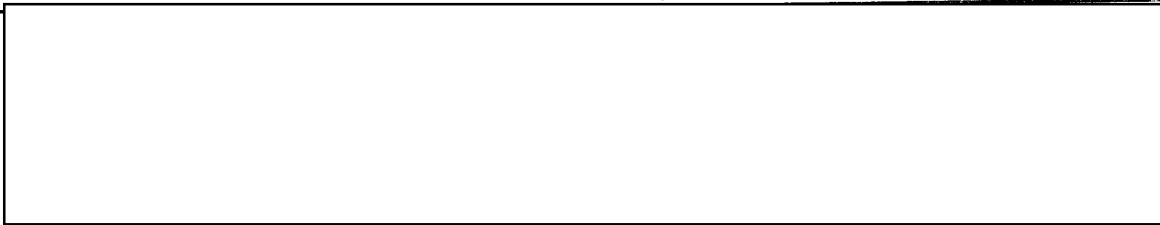
SECRET

25X1

25X1

COUNTRY	USSR	REPORT NO.	[REDACTED]
SUBJECT	Site Layout of Branch No. 1, NII 88, Gorodomlya Island	DATE DISTR.	7 October 1953
DATE OF INFO.	[REDACTED]	NO. OF PAGES	31 25X1
PLACE ACQUIRED	[REDACTED]	REQUIREMENT NO.	[REDACTED]
		REFERENCES	[REDACTED]

THE SOURCE EVALUATIONS IN THIS REPORT ARE DEFINITIVE.
THE APPRAISAL OF CONTENT IS TENTATIVE.
(FOR KEY SEE REVERSE)



25X1 PLANT LAYOUT OF NII 88

25X1 1. [REDACTED] a sketch of the site layout of Branch No. 1 of NII 88 on Gorodomlya Island, near Ostashkov [REDACTED] identified the following points [see page 23]:

Point 1 Road

A hard-packed sand road, about 4 meters wide and 1 1/2 km. long, extends from the village "Pervomayka" in a southwesterly direction to the Administration Building (Point 3). This road was suitable for truck traffic.

Point 2 Inland Lake

25X1 [REDACTED]

Point 3 Administration Building

25X1 A 12 x 5 x 5 m. two-story, stone building housed the entire administration department of the plant. [REDACTED] employees in this building [REDACTED] were all Soviets.

ARCHIVAL RECORD
SEARCH & RETURN TO
ADVISORY APPROVAL, 1984-85

SECRET

25X1

STATE	#	ARMY	#	NAVY	#	AIR	#	FBI		AEC				
-------	---	------	---	------	---	-----	---	-----	--	-----	--	--	--	--

(Note: Washington Distribution Indicated By "X"; Field Distribution By "#")

221048/1

SECRET

25X1

-2-

Point 4 Road

A small connecting road, about 4 meters wide and 100 m. long, led from the main street on the Island to the Administration Building. (Point 3).

Point 5 Shops

An "L"-shaped, tall, single-story, stone building, the west wing of which was about 300 meters long, and the south wing about 200 meters long. The west wing housed the plant's laundry and steam baths for the employees. There was also a small lathe shop in the northern end of this west wing. There were five Soviet personnel employed here. In the basement of the west wing, the plant's boiler room was located. It supplied all the steam heat for the plant and the administration building (see Point 3). The south wing of this building housed the mechanical work shops for the plant. All lathe work and maintenance work for the plant was carried on here. There were a total of about 25 Soviets employed here. There was a main entrance to this building, located where the two wings joined in the southeast.

Point 6 Water Tank

A large tank stood on a wooden platform, towering about 20 meters above the ground. The tank itself was about 7 meters in diameter, and was covered by a sheet metal roof. The Island's water supply was extracted from the inland lake (Point 2), pumped through underground pipes to the tank, and purified by manual chemical means right in the tank. [redacted] chlorine was used for purification. The water was unclean most of the time and had a bad aftertaste.

25X1
25X1Point 7 Road

A 4-meter wide, hard-packed sand road, about 300 meters long, led from the Pump House (Point 8) to the Power Station (Point 9).

Point 8 Pump House

A single-story, stone building, with a shingle-covered gable roof, about 12 meters x 5 meters, housed two of the island's water pumps, one of which was always in operation. The pumps are electrically operated, and were constantly malfunctioning.

Point 9 Power Station

A small thermal power station, about 15 meters long and 8 meters high, was constructed of whitewashed stone, and had a shingle-covered gable roof. Three diesel engines provided the necessary 220 V, AC current for the Island. One engine was a German make, vintage of 1913, the second a Soviet make of the year 1935, and the third was also a Soviet model, built in 1946. There were approximately ten Soviet workers employed here.

SECRET

SECRET

-3-

Point 10 High Tension Lines

The electric current, developed in the power station, was directed over these lines by means of three thick electrical cables which were supported by 7 meter high, wooden posts which were about 25 meters apart. These high tension lines supplied the entire island with power. There were no visible tension lines leading to the plant itself.

the plant was electrified by means of underground cables.

Point 11 Road

A 4 meter wide, hard-packed, sand road about 250 meters long led from the power station to the road (Point 12).

Point 12 Road

A 4 meter wide, hard-packed sand road, about 900 meters long, bordered the plant (Point 16). This was the island's main street which extended from east to west, and joined the other main street which bordered the plant on the east. Neither of these streets had names.

Point 13 Gate House

A single-story, 5 meters x 5 meters, gable roofed, wooden house, through which all employees of the plant were required to go in order to enter the plant. This building did not have any guards or sentries in or near it.

Point 14 Fence

A 2 meter high, board fence, on the top of which a double row of barbed wire was placed. The fence surrounded the entire plant, and was about 40 meters long on all four sides. It was erected at a distance of about 20 meters from the plant building.

Point 15 Main Entrance.

A 2½ meter wide, wooden, double door, opened to the outside, and served as the main entrance to the plant (Point 16). There was no sentry or guard at this point. As one entered the building, it was necessary to go through the cloak room, a small ante-room, and then through another set of double doors, at which point an armed, blue-uniformed, plant policeman always stood.

Point 16 Plant (Branch No. 1 of NII 88).

A quadrangle type, stone, gable roofed, building, about 40 meters in length on each side, and about 8 meters wide. The north, west, and east wings of this building were all single story, the south wing had two stories. This institute was formerly a medical institute, and the south wing apparently had housed the anatomy halls, as the walls in this section were all tiled. The building was centrally steam heated, and electrified with 220 V, AC current. There were approximately 280 persons

SECRET

SECRET

-4-

employed in this institute, of which about 150 were German specialists and 130, Soviet personnel. This institute was engaged in the further research and development of the German "A-4" rocket. The number of German employees changed, as 100 were repatriated in June 1952 and about seven Germans were shipped to a research institute in November 1950.

it was common knowledge that they were transferred to Moscow. Before the repatriation, the highest number of employees was 280. There was a large courtyard in the quadrangle which had no special function, but occasionally would serve as a temporary supply dump for lumber or other building materials. At the northwest corner of this building, the north and west wings were not joined, and there was a five meter wide entrance for vehicles here. There was a 24-hour duty sentry located inside the building in the south wing, near Point 15. Occasionally a sentry was stationed at the northwest entrance (Point 19), but there was no fixed rule for posting this sentry. At night, a watchdog was always stationed here. For further detailed information on floor plans and activity within this plant, see pages 24 through 31.

Point 17 Generator House

A 5 meter x 4 meter, stone, tile covered, gable roofed building, about 3 meters high, housed an auxiliary power generator for the fuel laboratory within the plant. This house was always locked, and the generator therein was in operation only occasionally.

Point 18 Entrance

A large wooden door located here was the main entrance to the north wing and the large assembly hall which was located therein. There was no sentry of any kind on guard inside this entrance.

Point 19 Gates

A 4 meter wide, 2 meter high, wooden gate opened to the outside. This was the western entrance to the plant. Occasionally there was a sentry (lant police) posted here.

Point 20 Road

A 4 meter wide, 800 meter long, hard-packed sand road extended north and south from the road (Point 12) to the carpentry shop (Point 24) and bordered the plant on the west.

Point 21 Sandy Road.

A very poor, sandy road, about 3 meters wide, was about 50 meters west of, and parallel to, the road (Point 20).

SECRET

SECRET

-5-

Point 22 Airstrip

25X1

Point 23 Cleared Area

An area about 600m x 75m was cleared of trees, and was to be used as part of the airstrip, which was under construction.

Point 24 Carpentry Shop

A single-story, frame building, about 30 meters x 10 meters, with a gable roof. Here all carpentry and general woodwork for the plant and island was performed. There were about 15 Soviet male workers employed here.

Point 25 Connecting Road

A narrow, sandy, 2½ meter wide road extended 100 meters from the south-west to the north-east, joining the road (Point 20) with the test stand area (Point 30).

Point 26 Fire House

A single-story, stone, sheet metal-covered, gable roofed building, about 8 meters long on the north and east sides, and about 12 meters long on the west side, was used for the two large fire engines and for the fire brigade's personnel quarters. There were about 10 Soviet male firemen on duty all the time.

Point 27 Gates

A 4 meter wide, 2 meter high, wooden gate, with two rows of barbed wire on top, was located here. A roving sentry was posted inside this gate, and no person without special authorization was allowed to enter this area. There was also a permanent sentry post at the southern entrance of the test stand area (Point 30), where the connecting road (Point 25) entered.

Point 28 Fence

A 2 meter high, board fence, with a double row of barbed wire placed on top, encircled the entire test stand area (Point 30), and was about 60 meters long on each of the four sides. At the gates (Point 27) a large street type lamp illuminated that corner of the fenced area. A watch dog was present here during the night.

Point 29 Shops

A single story, stone, sheet metal-covered, gable roofed building, about 15 meters x 8 meters, housed the test stand laboratory and related shops. entrance was prohibited for unauthorized personnel.

25X1

SECRET

SECRET

-6-

Point 30 Test Stand Area

An enclosed area about 60 meters x 60 meters square was known as "Object No. 1", Test Stand Area. There were two small stands located here capable of testing rockets up to 2 tons of thrust. The test stands were probably located at the southeast end of this area, as the rocket exhaust always came from this area.

25X1

25X1

Point 31 Fence

A 2 meter high, board fence encircled the entire area (Points 32, 33, 39, and 40). There were no guards or sentries in this entire area.

Point 32 Coal Storage Area

An area about 15 meters x 3 meters was used for the storage of all coal for the entire plant and surrounding area.

Point 33 Revetments

Four 5 meter x 3 meter, earth-covered revetments used for the storage of the plant's gasoline and alcohol supply.

Point 34 Fence

A 2½ meter high, wire mesh fence, with a double row of barbed wire on top, encircled the supply dump (Point 35). The fence encircled an area of about 25 meters x 15 meters. The only security measure here was a watch dog placed here at night, chained on a trolley leash which extended from the south east to the northwest corner of the area.

Point 35 Supply Dump

A single-story, wooden, windowless building about 15 meters x 7 meters, served as a hardware supply house for the plant. Materials such as nails, pipes, sheet metal, etc. were stored here. There were about five male Soviet workers employed here during the daylight hours. In the summer time, all the plant's trucks were parked around this building during the night. In winter, the majority of the vehicles were garaged in Ostashkov.

25X1

25X1

Point 36 Gate

A 4 meter wide, 3½ meter high, double, wooden gate served as the entrance point for vehicular traffic from the dock (Point 37). This was the only vehicular entry point on the island during the summer months. A 24-hour sentry post, located at this point, was manned by a blue-uniformed plant policeman, armed with a carbine and a pistol. There was also a street type lamp, which illuminated this area, installed at this point.

SECRET

SECRET

-7-

Point 37 Dock

A "T"-shaped wooden pier extended about 40 meters into the lake, and was about 6 meters wide. The top of the "T" was about 25 meters long. [redacted]

25X1

25X1

Point 38 North Beach

A steep, sandy beach from which the waters of the Seliger Lake very rapidly deepened.

Point 39 Road

A 4-meter wide, hard-packed sand road, which extended from the saw mill (Point 40) to the road (Point 12) in an east-west direction for about 50 meters. There was a wooden double gate at the westernmost end of this road.

Point 40 Saw Mill

A single-story, wooden building, about 15 meters x 8 meters, was the plant's saw mill. The machinery was operated by a steam engine outside the building. There were about ten Soviet male employees working here. All raw lumber for the entire island was sawed and cut in this mill.

25X1

2. In the cellar of the west wing [redacted] the following points: [see page 24].

Point 1. Storage Room

A 3 meter x 4 meter room was used for the storage of electrical equipment for the plant.

Point 2. Door

A 1½ meter x 1 meter wooden door led into a large underground tunnel, which extended in a northerly direction and terminated on the outside of the plant, within the fenced-in area.

Point 3. Storage Room

A 6 meter x 3 meter room was used for the storage of electrical equipment. There was one Soviet male employee who was in charge of both this room and the storage room (Point 1).

Point 4. Storage Room

A 4 meter x 6 meter room used for the storage of chemicals and chemical lab equipment. This was usually closed, and there was no caretaker or watchman here.

Point 5. Carpentry Shop

A 3 meter x 6 meter room housed the plant's small parts carpentry shop, and employed one Soviet carpenter.

SECRET

SECRET

-8-

Point 6. Fuel Injection Laboratory

A 3 meter x 5 meter room was used as the plant's lab for research and experimentation on rocket fuel injection. Two Germans were employed here: Prof. PAUER and Dipl. Ing. ELSNER, who have both been since repatriated.

Point 7. Mechanical Shops

A 5 meter x 3 meter room served as the electrical and precision mechanics shop for Sector 4-A (electrical laboratory). There were three German specialists employed here.

Point 8. Hydrodynamic Tanks

A 7 meter x 3 meter room housed the plant's hydrodynamic tanks. One German specialist was employed here.

Point 9. Unoccupied Room

A 3 meter x 6 meter room, rounded on the east end, was used for the storage of old, used wooden models and parts thereof.

Point 10. Battery Room

A 2 meter x 2½ meter room contained two large sulfuric acid storage batteries, which generated 27 V, DC current for use in the electrical labs (Sectors 4-A, B, and C).

Point 11. Empty Room

A 2 meter x 2½ meter room was used at one time for a photographic dark room.

25X1

1. On the first floor, in the west wing, [redacted] the following points [see page 25].

Point 1. Radio Laboratory

A 6 meter x 10 meter room served as the plant's radio laboratory in which research on radio-controlled flight controls was carried on. There were 12 Soviets and three Germans employed here. In October 1951, the German specialists were removed, and the Soviet staff cut to eight.

Point 2. Measuring Instruments Lab

A 6 meter x 10 meter room housed the plant's measuring instrument laboratory. Here new type measuring instruments were developed, and old types repaired and maintained. Nine German specialists and two female Soviet laboratory technicians were employed here.

Point 3. Shops

A 3 meter x 4½ meter room was used as a precision machine shop for Sectors 4-C and 4-B (electrical lab). This shop contained three metal lathes, and employed one Soviet and one German machinist.

SECRET

SECRET

25X1

-9-

Point 4. Shop

A 3 meter x 3 meter room housed sector 4-B's mechanical and electrical shops. Small mechanical and electrical work, such as soldering, etc., was performed here. There were two Germans and two Soviet male employees employed here until the autumn of 1951. What the personnel strength was after this date is unknown.

Point 5. Shop

A 3 meter x 3 meter room was used as an electrical shop for Sector 4-B. Here work, such as transformer winding, wiring of all sorts, was carried on. There were three German and two Soviet employees working here until the autumn of 1951, at which time they were moved to the east wing.

Point 6. Draftsman's Room

A 3 meter x 3 meter room was used for sketching and other theoretical drawing by members of Sectors 4-A and B. There were always at least three Soviets in this room.

Point 7. Electrical Shops

A 3 meter x meter room was used as an electrical shop for the wiring of various electrical apparatus for Sector 4-A. There were two German specialists working in this shop [redacted]

25X1

Point 8. Electrical Shops

Same as Point 7, above. There were two German specialists and one Soviet employed [redacted] in June 1952.

25X1

Point 9. Office

A 3 meter x 3 meter room was occupied by the chief of Sectors 4-A, B, and C, a German specialist, Ger. MUELLER, who was repatriated in 1952. There was also one Soviet female acting as deputy to the chief, PANOVA, Vera. [redacted]

25X1

Point 10 Toilet

Men's toilet for entire first floor.

Point 11 Draftsman's Room

A 3½ meter x 4 meter room, the eastern side of which was circular in shape, was used by the workers of Sector 4-B for sketching and experimental drawing. There were three large drawing tables and three or four writing tables here. One Soviet male employee worked in this room permanently.

SECRET

SECRET

25X1

-10-

Point 12 Toilet

Ladies' toilet for entire first floor of west wing.

25X1

4 In the cellar in the west wing [redacted] the following points: [see page 26]

Point 1. Shop

A 4 meter x 2½ meter room served as a repair and maintenance shop for the plant's Hydrodynamic Tank Section [see Point 8, page 24]. Shop was used only when repair work was to be performed.

Point 2. Hydraulics Shop

A 4 meter x 4 meter room was used by Sector 4-A as a laboratory for the development of the steering mechanism for the A-4 rocket. There were one German, and one Soviet female assistant working here until [redacted] June 1952.

25X1

Point 3. Chemical Lab

A 4 meter x 8 meter room was used by Sector 7 as a chemical lab for all its chemical research work. There were one German chemist and a Soviet female assistant employed here.

Point 4. Chemical Lab

A 6 meter x 8 meter room, same as Point 3, above. There were three Soviet female lab technicians employed here.

Point 5. Technicians' Room

A 4 meter x 5 meter room was used by members of Sector 3 for calculating and mathematical figuring. There were one German and two Soviet female assistants working here.

Point 6. Staircase

A 2 meter wide staircase led from the basement to the first floor of this wing.

Point 7. Office

A 2 meter x 3 meter room was used by the Chief of the Telephone Exchange, TIMOFEYEV, as his office.

Point 8. Shop

A 2 meter x 3 meter room occupied by two Soviet male mechanics, who did all repair and maintenance work of the telephone exchange's equipment.

Point 9. Ante Room

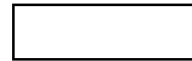
A 2 meter x 3 meter room used by the telephone exchange as its reception room. (Telephone Exchange is Point 7.) [See page 29.]

SECRET

SECRET

-11-

25X1



Point 10 Entrance

A 1 meter x 2 meter wooden door led into the telephone exchange room.

Point 11 Storage Room

A 4 meter x 6 meter room was used by the telephone exchange for the storage of its equipment and parts.

Point 12 Foyer

A large corridor led into the east wing.

Point 13 Test Stand Room

A 2½ meter x 4 meter room used by Sector 7 for the purpose of experimentation on synthetic fuels. There was one small stand in this room. All work in connection with these experiments was carried on by a German named Dr. SIGMUND, and his female assistant, a German woman named Frau Goerman.

Point 14 Observation Room

A 4 meter x 4 meter room was used by personnel mentioned under Point 13 and a German engineer, HARNISCH, who performed mechanical work. This room was used for mathematical calculations in connection with experimentation on synthetic fuels, and observation through slats in the east wall of this room of the performance of the fuels under test in Point 13.

Point 15 Office

A 4 meter x 5 meter room was used by Dr. ZEISE, a German thermodynamics expert and a member of Sector 7, as his office.

Point 16 Staircase

A 2½ meter wide staircase led from the first floor of this wing to the basement. There was a transformer located under this flight which generated 27V, DC current for use in the chemical lab, Point 3.

Point 17 Office

A 2 meter x 4 meter room was used by the Chief of the Chemical Lab Department (Sector 7), Dr. Matthes (German).

Point 18 Men's and Ladies' Toilets

SECRET

SECRET

-12-

Point 19 Staircase

A 2½ meter wide staircase led from the first floor of this wing into the basement.

Point 20 Corridor

A very poorly lighted corridor led into the west wing of the plant.

5. On the first floor in the south wing the following points see page 27

Point 1. Laboratory

A 4 meter x 6 meter room was occupied by the plant's electrical flight controls laboratory, belonging to Sector 4-A. There were four Germans and one Soviet female employed here.

Point 2. Work Room

A 4 meter x 2½ meter room which Sector 3 used for its figuring room. Prof. PAUER from this Department used this room as his office. There were also one other German and one Soviet female employed here as mathematicians.

Point 3. Draftsman's Room

A 4 meter x 3½ meter room was used by Sector 3 as one of its drawing rooms. Six Germans employed on various mechanical drawings were here.

Point 4. Empty Room

A 4 meter x 5 meter room, which was not occupied, was directly over the basement cloak room.

Point 5. Staircase

A 2½ meter wide staircase led from the entrance on the first floor to the second floor.

Point 6. Office.

A 2½ meter x 3 meter room was occupied by KHUTORIANSKIY, the Chief of the MVD Section, sometimes referred to as the "First Department".

Point 7. Office

A 2½ meter x 3 meter room was used as a file room for all papers, drawings, computations, etc., made by the plant's engineers. At the end of each work-day, each key employee who had done any written work was required to turn this material in for safekeeping into this room. There was one Soviet female employee that handled all this material.

SECRET

SECRET

25X1

-13-

Point 8. Typists' Room

A 2 meter x 3 meter room was used by two Soviet female typists, who performed all classified typing and typed all the official plant mail. These two individuals were under the MVD Section.

Point 9. Office

[See Point 11, page 30, of this report.]

Point 10 Supply Room

An 8 meter x 4 meter windowless room was used by the MVD Section as a stationary supply room and safe room for the overnight and off-duty storage of various classified small parts produced in the plant. This room was always locked and under the surveillance of the MVD Section.

Point 11 File Room

A 1½ meter x 4 meter room was used by the MVD Section for the storage of all classified foreign and Soviet technical literature. There was one Soviet female employee in this room during duty hours. Only authorized Soviet personnel were allowed to enter this room.

Point 12 Typists' Room

A 2½ meter x 4 meter room was used by the MVD Section for the typing and translating of all technical reports written by the German specialists. Two German typists, SCHAEFFER [redacted] and LEUMANN, and one Soviet female translator were employed here.

Point 13 Work Room

A 1½ meter x 4 meter room was used by Sector 3 as its work room for preparing technical reports and mathematical computations on matters pertaining to the Power Plant Dept. Two German specialists were employed here: FERCHLAND and POINTNER.

Point 14 Work Room

A 2 meter x 4 meter room was used for the same purpose as Point 13, above, but was occupied by two Soviets: MISKEVICH and DRANOVSKIY.

Point 15 Work Room

This room, same as above, was occupied by the deputy chief of Sector 3, a Soviet named IOFFE.

Point 16 Office

A 2 meter x 4 meter room was occupied by some key figure in the MVD Section [redacted] and his male secretary [redacted]. The door to this room was soundproofed and the windows were barred.

SECRET

SECRET
-14-25X1
Point 17 Staircase

A 2½ meter wide staircase led from the first floor to the basement.

Point 18 Library

A 6 meter x 4 meter room was used as the library for the entire plant. Foreign and Soviet literature of all types was here. The library employed one German and two Soviet female librarians.

Point 19 Office

A 2½ meter x 4 meter room was occupied by the chief of Sector 3, a German named Dr. UMPFENBACH.

Point 20 Laboratory

A small, 2½ meter x 4 meter laboratory was used by Sector 4-A as a measuring instrument lab for electrical installations used in rocket flight controls. Two Germans and one Soviet female assistant were employed here.

Point 21 Photo Lab

A 1½ meter x 4 meter room was used as the only photo lab and dark room in the plant. One German photo lab man was employed here.

Point 22 Ladies' and Men's ToiletPoint 23 Staircase

A 2½ meter wide staircase led from this floor to the basement only.

25X1
6. On the second floor in the south wing the following points: See page 28

Point 1. Small Design Office

A 4 meter x 6 meter room was used by Sector 5 as its design offices. Only authorized personnel were allowed to enter this office as highly classified design work was being carried out here. The room contained only drawing boards and tables. A German named NAERR did much design work here.

Point 2. Large Design Office.

An 8 meter x 20 meter room in which design work on the A-4 rocket was being carried out. There were about 20 German designers from Sector 5 employed here, as well as four Soviet engineers. The room contained only drawing boards and tables.

SECRET

SECRET
-15-25X1
Point 3. Office

A 2 meter x 4 meter room was the office of the Chief Engineer of the Gorodomlya Plant, a Soviet named VASILYEV. He was also the deputy to the Director of the plant, as well as the engineer in charge of all technical matters.

Point 4. Office

A 4 meter x 4 meter room was the office of the female secretary to the Chief Engineer. She was also an interpreter.

Point 5. Conference Room

A 4 meter x 7 meter room was used by the Gorodomlya Plant as a conference room. Its seating capacity was about 25 persons.

Point 6. Design Office

An 8 meter x 6 meter room was used by Sector 11, Building Construction Department, as its design office. There were about 15 Germans and three Soviet designers employed here. Several members of Sector 1, Ballistics, also worked in this room because of space limitations in the plant.

Point 7. Work Room

A 4 meter x 1½ meter room was used by Sector 1 as its mathematical calculations room. Two Germans, MUELLER and SCHULTZ, were employed here. One Soviet male mathematician also worked here.

Point 8. Men's and Ladies' Toilet.Point 9. Office

A 1½ meter x 4 meter room was used by the planning department of the plant for its work. There were two male Soviets employed here. Work pertaining to production planning was carried out here.

Point 10. Work Room

A 2 meter x 4 meter room was used by Sector 1 as its mathematical calculations room for ballistics problems. There were three Germans employed here.

Point 11. Office

A 1½ meter x 4 meter room was occupied by the Deputy to the Chief Engineer, a Soviet named KISELOV.

Point 12. Office

A 1½ meter x 4 meter room, occupied by the Chief of Sector 1, Ballistics, a German named Dr. WOLFF.

SECRET

SECRET

-16-

In the cellar in the east wing [redacted] the following 25X1 points [see page 29] [redacted]

Point 1. Staircase

A 2½ meter wide staircase led from the north wing to the basement of the east wing.

Point 2. Laboratory

A 6 meter x 4 meter room was used by the Workshops Department, Sector 9, as its chemical treatment room for the galvanizing of metals used in the construction of guided rocket missiles. Tasks such as nickel and chrome plating were performed here. Various electrical equipment was installed here for this purpose. Two Soviet females were employed here.

Point 3. Shops

An 8 meter x 10 meter room was used by Sector 2, Aerodynamics Dept., as repair, maintenance, and mechanical shops for the wind tunnel Section. Machines such as lathes and punching and rolling machines were installed here. There were three German and two Soviet mechanics and machinists employed here. The only entrance to these shops was through Point 7 [see page 30].

Point 4. Empty Room

A 6 meter x 4 meter room.

Point 5. Photostat Room

A 6 meter x 4 meter room contained all photostats of documents and drawings made for the entire plant. There were two Soviet female workers employed here.

Point 6. Entrance to South Wing

Point 7. Telephone Exchange

A 3 meter x 3½ meter room, the entrance to which was Point 10. [see page 26]. This telephone switchboard room was the only one for the plant and entire island of Gorodomlya. There were two switchboards, which were manned by two operators working a 12 hour shift from 0800 hours until 2000 hours, at which time they were relieved by two more operators. For one hour, starting at 1100 and 1800 each day, all the lines were kept open for long distance calls to Moscow over Kaliningrad [N 55-55, I 37-49].

Point 8. Office

A 5 meter x 4 meter room was used as a translation section for the plant. Here all material pertaining to the mission of the plant was translated from the Russian to the German language and vice versa. All reports written by the Germans were handled in this department. Three Soviet female translators were employed here.

SECRET

SECRET
-17-25X1
Point 9. Empty Room

Same as Point 4, above.

Point 10 Work Room

A 1½ meter x 4 meter room was used by the Chemical Department (Sector 9), Galvanization Lab. (Point 2), as its theoretical calculations room. All paper work pertaining to the mission of this laboratory was done here.

Point 11 Laboratory

Same as Point 2, above.

Point 12 Metals Analysis Lab.

A 2½ meter x 4 meter room was used by Sector 9 (Workshops) as its lab for the surface treatment of metals used in the A-4 rocket. Work, such as stress analysis, polishing, grinding, etc., was performed in this lab by a German named GASCH and one Soviet female assistant.

Point 13 Metals Analysis Lab.

A 2½ meter x 6 meter room, same as Point 12, above.

Point 14 Storage Room

A 2½ meter x 3 meter room used as a storage room for various metals used in the Metals Analysis Lab., Points 12 & 13, above.

8 On the first floor in the east wing the following points: See page 30

25X1

Points 1&2 Ladies' and Men's ToiletsPoint 3. Radio Lab.

An 8 meter x 6 meter room was used by Sector 4 (Flight Controls) as its radio lab in which work was carried out on problems involving electronic flight controls for rocket missiles. Before August 1951, this room was used by Sector 9 (Work Shops) as its mechanical work shops. After that date, Sector 4 took charge and employed many German specialists from Sector 4-B (Electrical Measuring Instruments Dept.)

Point 4&5 Men's and Ladies' ToiletsPoint 6. Tool Crib

A small 1½ meter x 3 meter room was used by Sector 9 as its tool storage and issue room. There were two Soviet male employees here. All tools used in the shops were drawn from this section, and at the completion of the day's work, were again turned in here.

SECRET

SECRET

-18-

Point 7. Wind Tunnel Lab.

A 10 meter x 8 meter room housed the plant's wind tunnel and all related equipment. Twenty atmospheres of pressure could be produced in the tunnel.

25X1

All full-scale rocket models were tested in this tunnel.

25X1

there were three Germans and one or two Soviets engaged in this work. The wind tunnel came under the jurisdiction of Sector 2 (Aerodynamics).

Point 8. Work Room

A 3 meter x 3 meter room was used by Sector 2 for all its mathematical and theoretical work. Dr. ALBRING, the Chief of Sector 2, used this room as his office.

Point 9. Work Room

A 3 meter x 5 meter room whose function was the same as Point 8, above, employed about seven Germans and one Soviet male mathematician.

Point 10 Office

A 4 meter x 3 meter room, was used by Department No. 1 (MVD) as its file room for highly classified documents. All documents containing information about monthly, semiannual and annual plant quotas, production plans, reports, and plant cash were kept in this room. The door to this room was always locked and sealed after duty hours, the windows barred, and only authorized personnel were allowed to enter. This was also the office of the deputy to the chief of Department No. 1 (MVD), a Soviet woman named USTINOVA, who occupied the room with three Soviet female clerks.

Point 11 File Room

A 4 meter x 3 meter room was used by the MVD as an additional file room for lower classified documents. The Chief of this file section was a Soviet named VAVARKIN, who used this room also as his office. There were two Soviet female clerk-typists who occupied the room with him.

Point 12 File Room

A 2 meter x 3 meter room contained two Soviet female clerks. This room's function was the same as Point 11, above, and came under the jurisdiction of the same section chief.

Point 13 Work Room

A 4 meter x 3 meter room was used by Sector 3 (Power Plant) as its work room for theoretical computations. There were three Soviet and one German mathematicians employed here.

SECRET

SECRET
-19-Point 14 Office

A 1½ meter x 3 meter room was the office of the deputy chief of Sector 4-B, a Soviet named CHERNOPIATOV.

Point 15 Shops

A 2½ meter x 3 meter room was one of the small mechanical shops used by Sector 4-B. There were four Germans and three Soviets employed here.

Point 16 Shops

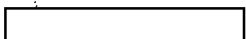
A 2½ meter x 3 meter room was used as a lathe and precision instrument shop by Sector 9. There were one German and one Soviet machinist employed here.

Point 17 Office

A 3 meter x 3 meter glass-walled room was used by the department chief of Sector 9, a Soviet named KNIJAZEV.

Point 18 Office

A 3 meter x 3 meter room was used by the Chief of Sector 9, a German named APPEL, as his office.

9. In the north wing  the following points see page 26

Point 1. Shops

A 12 meter x 3 meter room was used by Sector 9 as one of its mechanical work shops. There were lathes and other heavy machines installed here. There were four Soviets and two German machinists employed here.

Point 2. Hall

A 2 meter x 8 meter room was used by Sector 9 as a miscellaneous storage room for metal stock used in the machine shops.

Point 3. Office

A 3 meter x 3 meter room was used as an office by some unidentified Soviet official.

Point 4. Proof Reading Room

A 3 meter x 3 meter room was used by Sector 9 as its proof reading room for drawings which came in from Sector 5, Design Department, and Sector 11, Architectural Construction Department. All material which was worked on in the mechanical shops of Sector 9 was checked here. Corrections were made on designs and then passed on to the machine shops.

Point 5. Work Room

A 3 meter x 3 meter room was used by Sector 9 as one of its computation rooms for mechanical work to be done in the shops.

SECRET

SECRET

-20-

Point 6. Work Room

Same as Point 5, above.

Point 7. Staircase.

A 1½ meter wide staircase led to the basement of the east wing.

Point 8. Staircase

A 1½ meter wide staircase led to the first floor of the east wing.

Point 9. Entrance

This was the main entrance to the north wing from the east. An armed, male, blue-uniformed, plant policeman was always stationed at this point.

Point 10. Small Room

A 3 meter x 1½ meter room was used for the storage of metal and wood stock used in the mechanical shops of Sector 9. Two Soviets were employed here.

Point 11. Empty Room

In April of 1951, all machinery and equipment was moved out of this room because the plant officials were planning to build a second floor to this wing. It was decided to start at this point. All equipment was moved to Point 13.

Point 12. Assembly Hall

A 7 meter x 4 meter room was used by Sector 9 as an assembly hall for odd bits of equipment, which were being constructed and machined in its shops.

Point 13. Shops

A 20 meter x 8 meter room was used as the main shops of Sector 9. All heavy machinery and equipment used in machine shops was installed here. The room was specially prepared and rebuilt exactly for this purpose. There were about ten German and six Soviet machinists and mechanics employed in these shops.

Point 14. Entrance

A 4 meter wide and 5 meter high entrance point to the shops, Point 13, was located here.

SECRET

SECRET

-21-

SECURITY SYSTEMS AND MEASURES

10. The Island of Gorodomlya was policed by a force of about 35 plant police, of which about three or four were women. The average age of these persons was about 30 years. A Lieutenant of police and his first sergeant, whose name was VASILYEV, were the leaders of this police group and administered all the necessary discipline and order. All these individuals were civilians. Most of them had had previous military background, either during or after World War II. Their uniform was of standard Soviet design, but was dark blue in color. The sentries who were on duty outdoors were all armed with pistols and carbines. Guards posted inside of the building carried only side arms. The island itself was patrolled by an unknown number of roving sentries, who did not particularly care about the security of the island. A string of small sentry boxes encircled the entire island, and were all wired telephonically. In addition to this, a single row of barbed wire protected the island from intruders. All the guards complained of long duty hours and very meager wages. Most of them earned about 320 rubles monthly, and because of this were easily bribed into allowing the Germans to swim and boat outside of the forbidden areas of the island. The guards were generally very friendly and easily approached.

11. In addition to the roving sentries, guards were also posted at the following points: Points 4, 5, 10, 11. [redacted]

[redacted] The guard posts were not regularly inspected; nor [redacted] was any fixed procedure for inspection. The female guards, who were on the plant police force, were all posted inside of the plant building and were armed with pistols. A watch dog system was also in force on the island. In the summer time at about 2030 hours, a dog would be placed at the following points: NE corner of island, at the dock, Point 4, and Point 10 [redacted] at test stand area, at NW corner of Plant, at Supply Dump, Point 35 [see page 23 of this report]. During the winter, these dogs would be placed at their posts at sundown.

PERSONNEL AND ADMINISTRATION

12. The Island of Gorodomlya employed about 600 Soviet personnel, and about 150 Germans until [redacted] 1952. The majority of the Soviets lived in the city of Ostashkov, and commuted to work daily by steamship. In the winter months when the lake was frozen over, the commuting was done strictly on foot; only the crippled and aged were permitted to use the plant's vehicles for transportation. In the early spring months when the lake ice was melting, the employees, who lived in Ostashkov, were forced to stay on the island and sleep anywhere they could find a suitable place. This thaw period lasted as long as six weeks. The salaries ranged from 250 to 3000 rubles monthly, the poorest paid being the schoolteachers on the island. The highest paid individual

SECRET

SECRET

-22-

on the Island was the Director, SUKHOMLINOV, who was hated by all the employees of the plant for his lack of understanding, inconsideration, and his general arrogance. Many of the Soviet workers, in their more temperamental moods, made statements to the effect that they would be happy to slit his throat at the next possible opportunity. The working hours at the plant were very similar to those in Western countries. [redacted] Germans worked a total of 44 hours weekly, from 0800 to 1700 daily, and until 1200 hours on Saturdays. The Soviets worked the full day Saturday. Overtime was very seldom worked, and when it was, no extra pay was received; but those working overtime shared in the annual monetary premiums which were received by the plant for jobs well done or done according to plan.

25X1

13. The Soviet authorities on Gorodomlya Island placed very little or no emphasis on political indoctrination of the Germans working the plant, and after 1949 ceased all activity in that respect. [redacted] Germans could not travel outside of Ostashkov, and all trips that were allowed were only on official business, and then with an escort. A little theater group was organized by the Germans, and many very nice light plays were produced. This was about the extent of the social life on Gorodomlya Island, and all of us constantly looked to the day when [redacted] freed from this forced employment, and sent back to our homeland.

25X1

25X1

DIAGRAMS

- Page 123 (A) - A sketch of site layout of Branch No. 1, NII 88, Gorodomlya Island
 Page 124 (B) - A sketch of the West Wing Cellar of Branch No. 1, NII 88, Gorodomlya Island
 Page 125 (C) - A sketch of West Wing, First Floor, of Branch No. 1, NII 88, Gorodomlya Island
 Page 126 (D) - A sketch of South Wing, Cellar Floor, of Branch No. 1, NII 88, Gorodomlya Island
 Page 127 (E) - A sketch of South Wing, First Floor of Branch No. 1, NII 88, Gorodomlya Island
 Page 128 (F) - A sketch of South Wing, Second Floor of Branch No. 1, NII 88, Gorodomlya Island
 Page 129 (G) - A sketch of East Wing Cellar Floor of Branch No. 1, NII 88, Gorodomlya Island
 Page 130 (H) - A sketch of East Wing, First Floor of Branch No. 1, NII 88, Gorodomlya Island
 Page 131 (I) - A sketch of North Wing, of Branch No. 1, NII 88, Gorodomlya Island

25X1

25X1

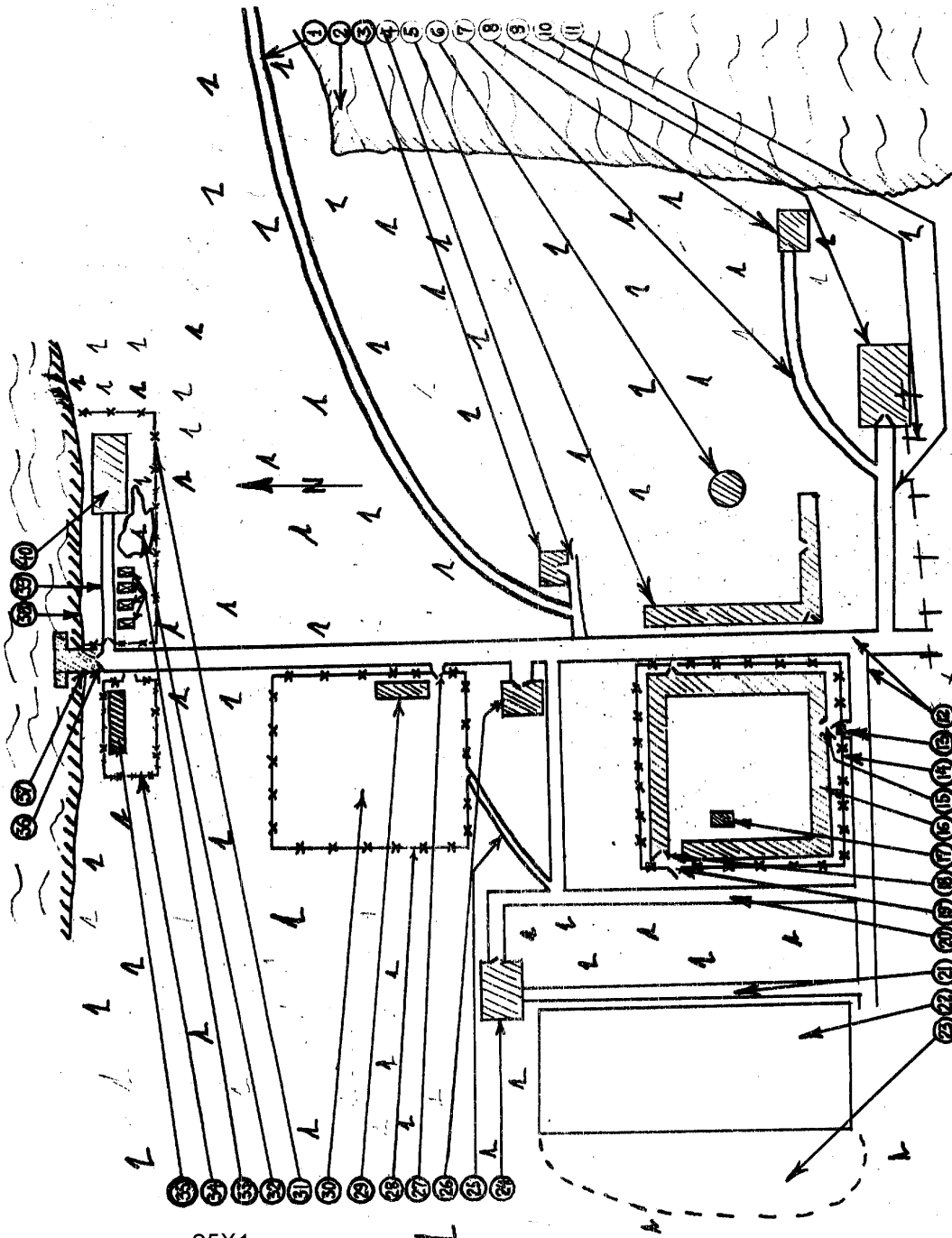
25X1

25X1

Comment. Dr. Werner Hoch was chief of Sector 4 until late in 1950 when he was transferred to Moscow.

SECRET

SECRET



25X1

Sketch of the Site Layout of Branch No. 1
 N.I.I. 88 - Gorodomlya Island - Ostashkov - USSR

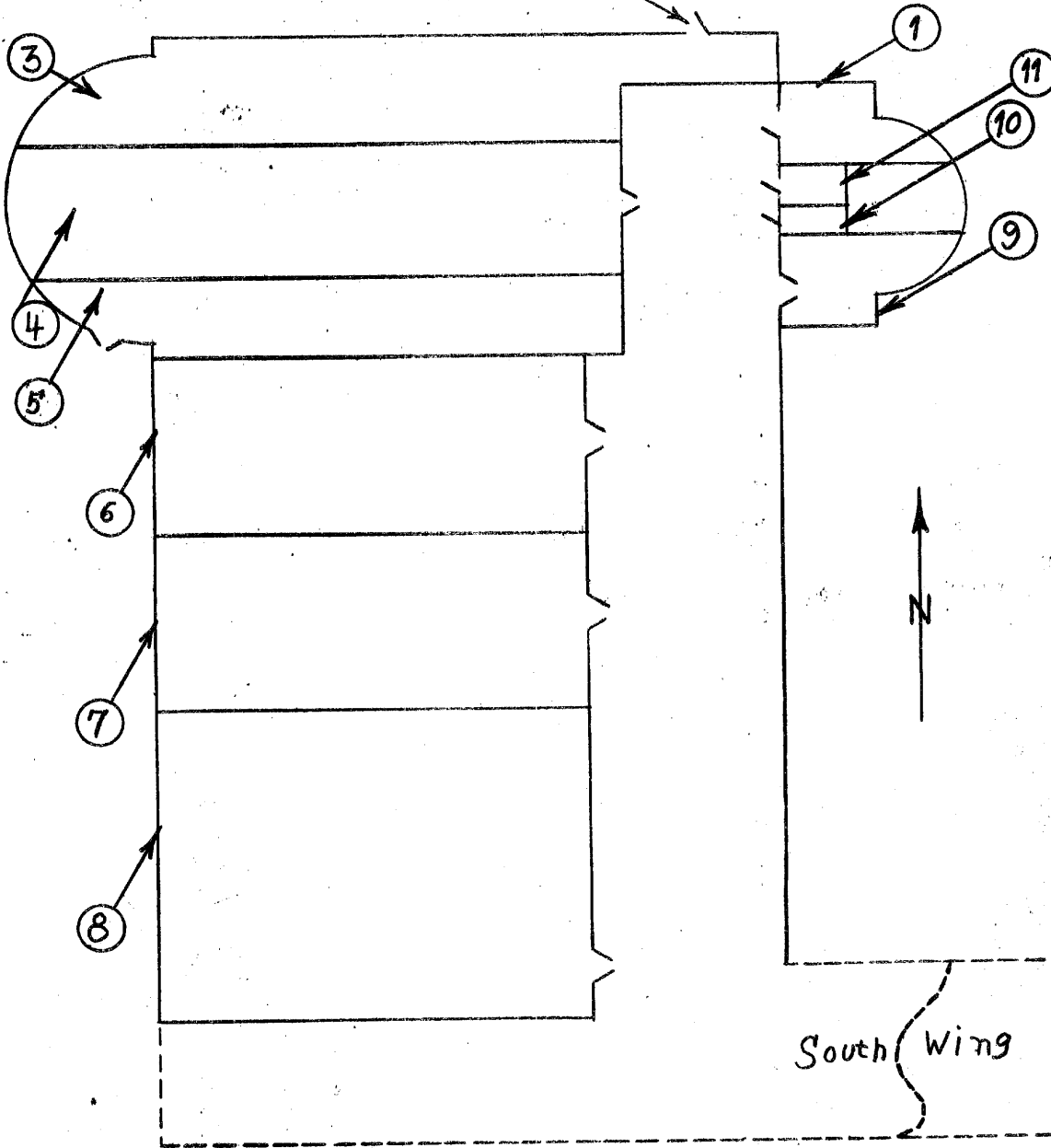
SECRET

25X1

SECRET

-24-

2



25X1

[Redacted]

SKETCH OF THE WEST WING
 Cellar Of Branch No. 1, Inst. 88, Gorodomlya Is.
 USSR

25X1

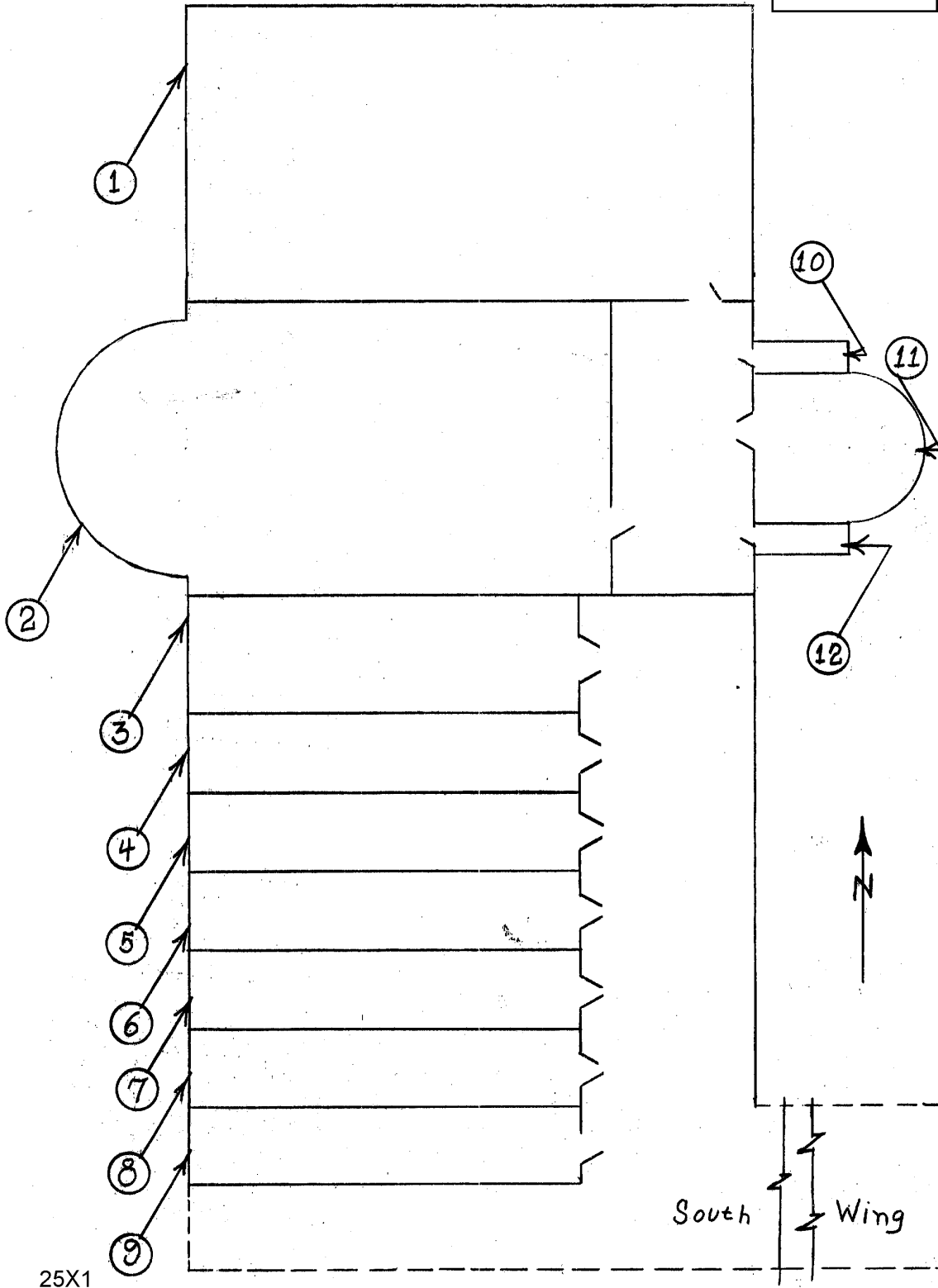
[Redacted]

SECRET

SECRET

-25-

25X1



25X1

South

Wing

Sketch Of The West Wing, First Floor Of Branch NO1, Inst. 88, Gorodomlya Island USSR

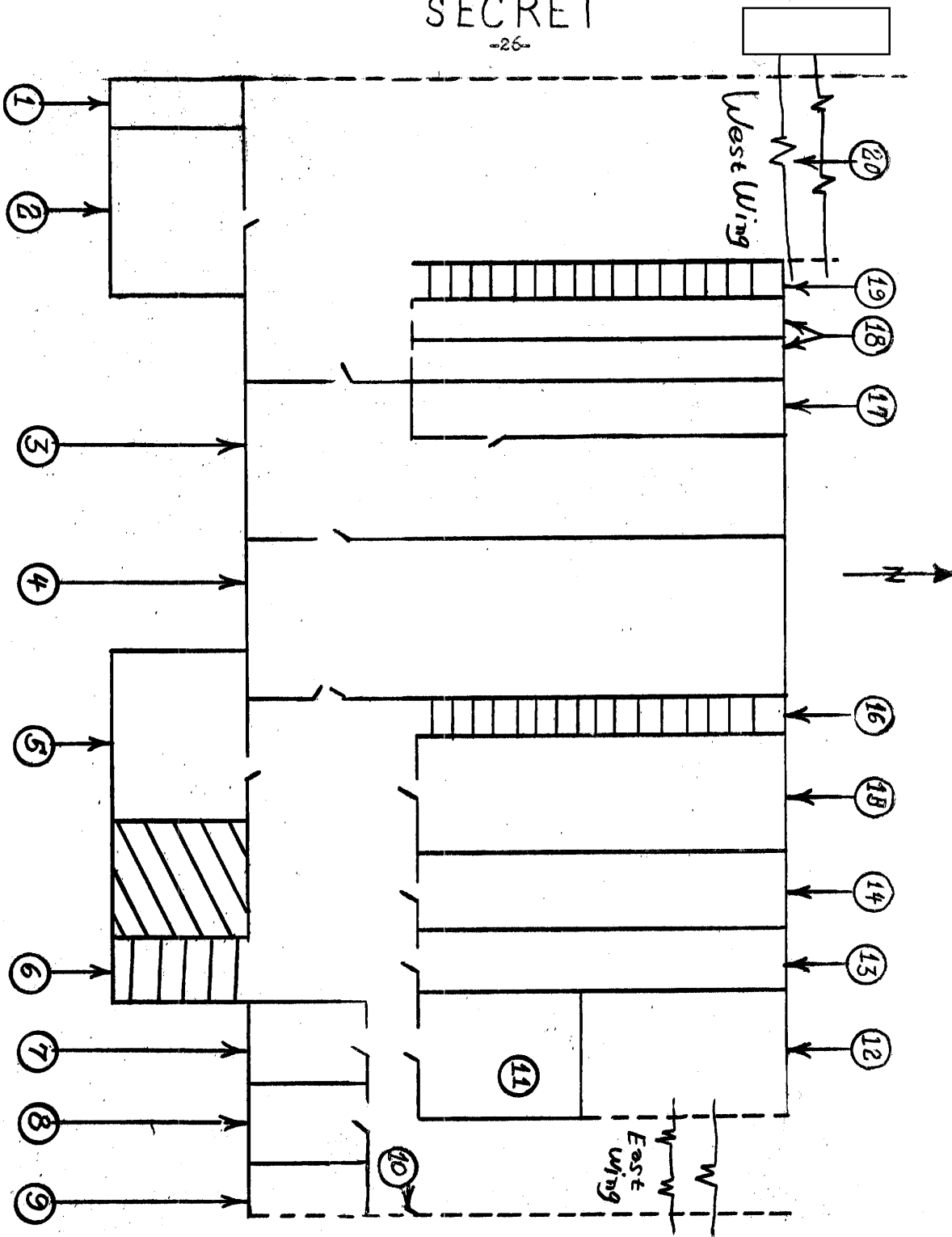
25X1

SECRET

SECRET

-26-

25X1

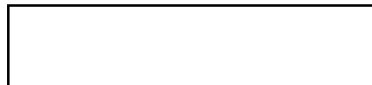


25X1

Sketch Of The South Wing Cellar Floor Plan Of
 Branch №1, Institute 88, Gorodomlya Island USSR.

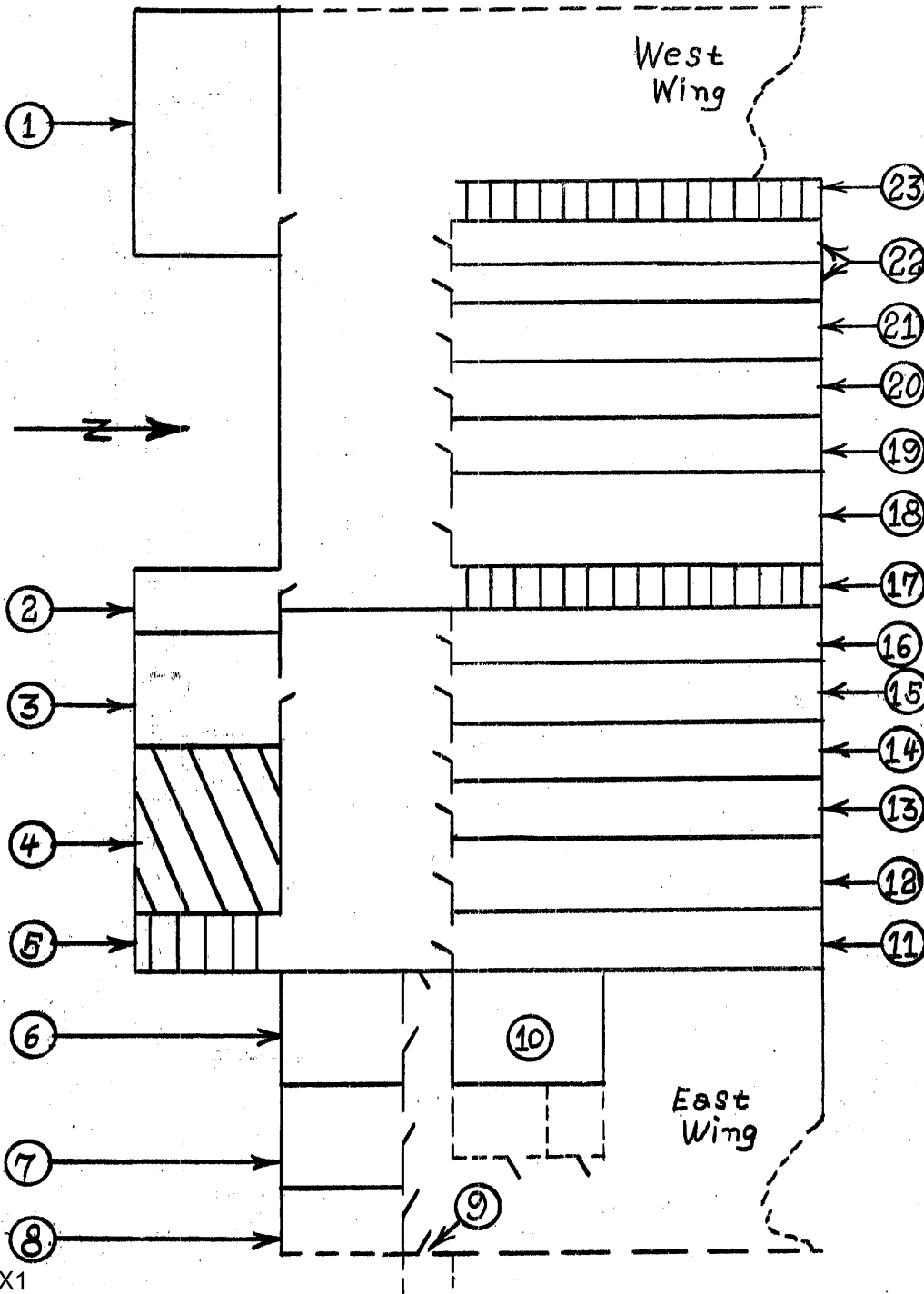
SECRET

25X1



SECRET

25X1

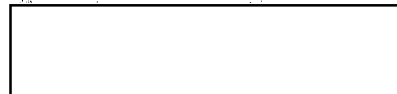


25X1

Sketch Of The South Wing, First Floor, Floor Plan Of Branch №1, Institute 88, Gorodomlya Island USSR

25X1

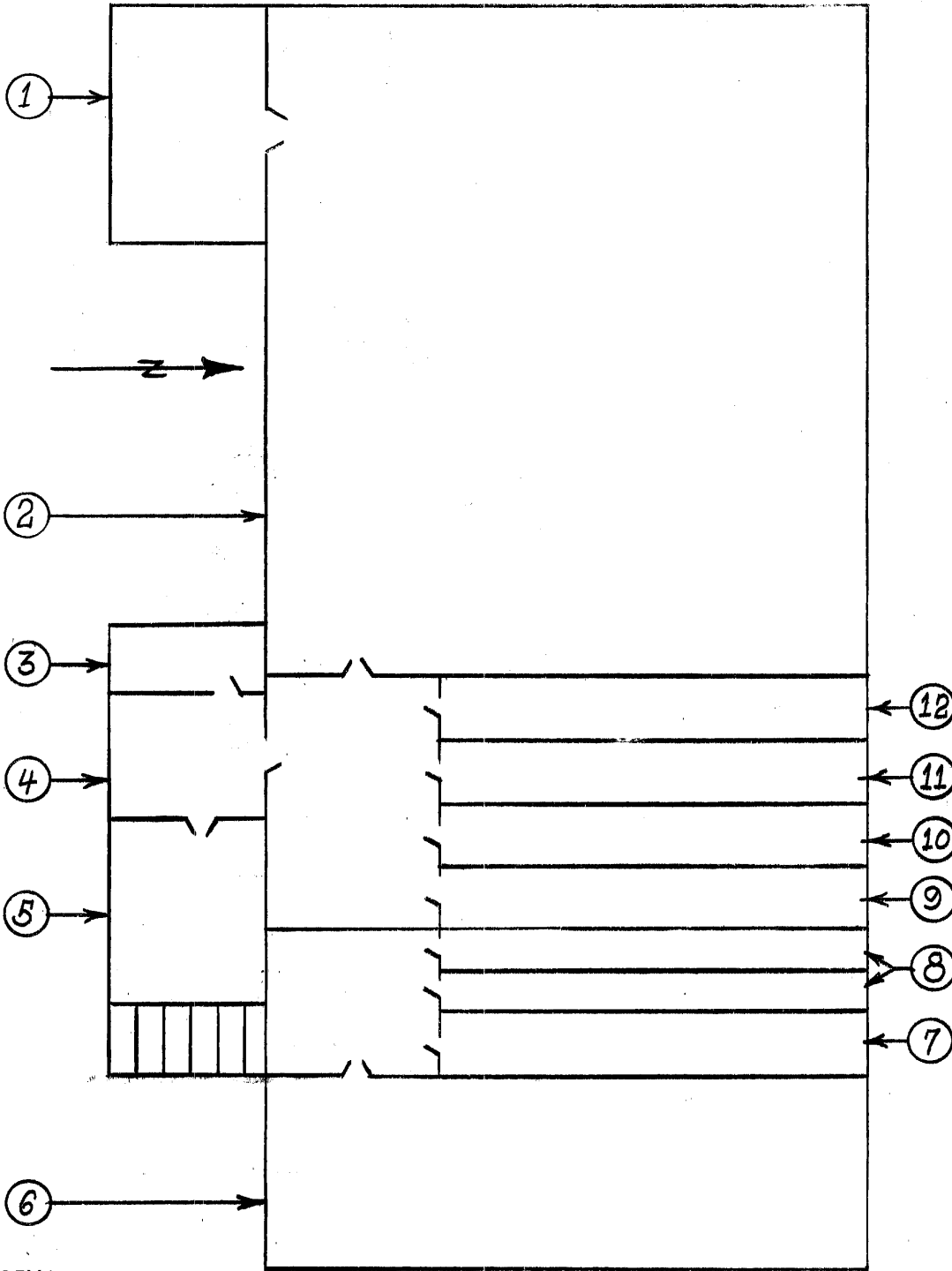
SECRET



SECRET

-28-

25X1

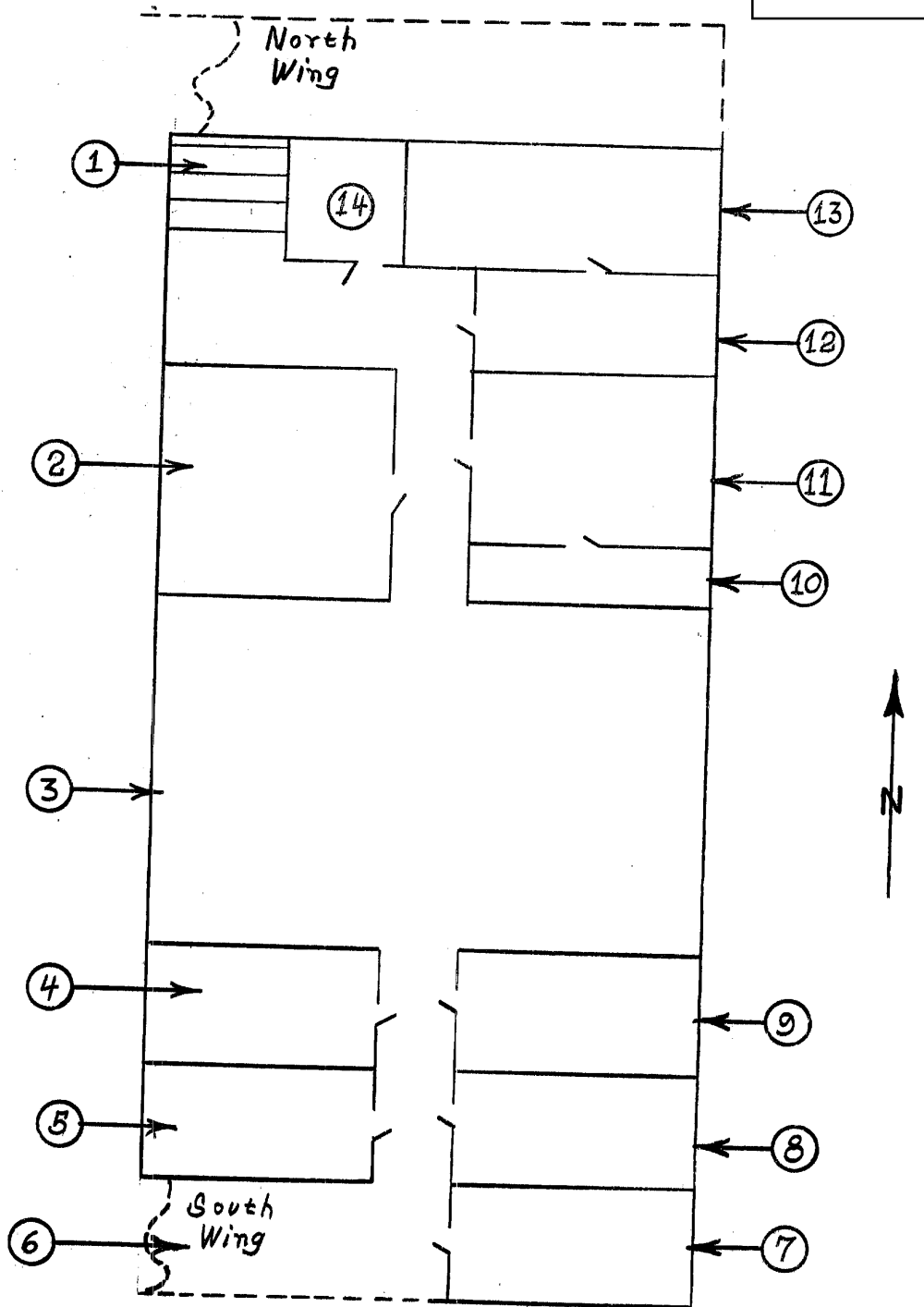


25X1

Sketch Of The South Wing Second Floor Plan Of
 Branch No.1, Institute 88, Gorodomlya Island USSR.

SECRET

SECRET



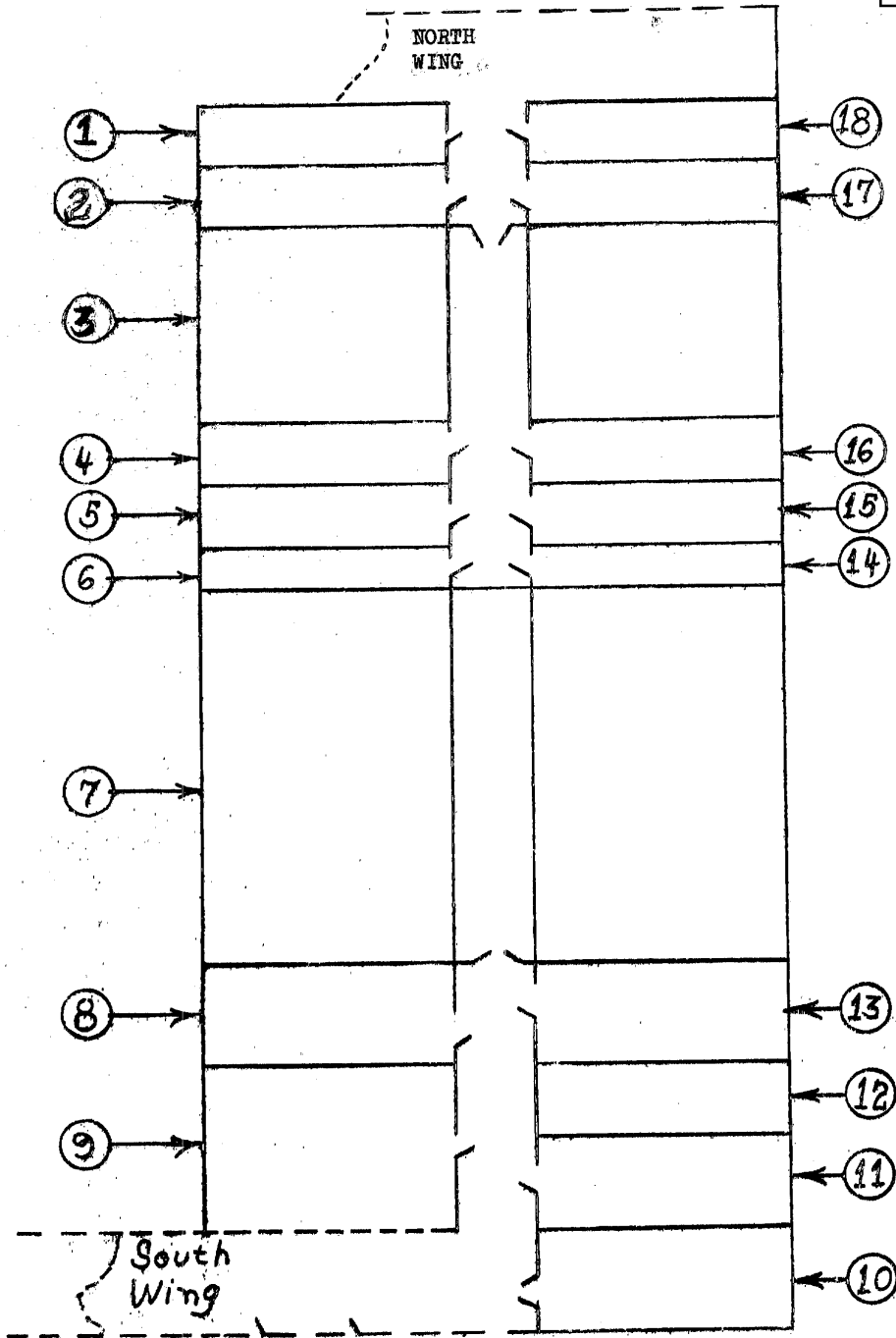
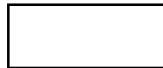
25X1

Sketch Of The East Wing Cellar Floor Plan Of Branch No. 1 Institute 88, Gorodomlya Island, USSR.

SECRET

SECRET
-30-

25X1



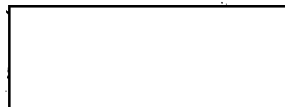
25X1



SKETCH OF EAST WING, FIRST FLOOR, OF BRANCH NO. 1, INSTITUTE 88, GORGONMLYA ISLAND

SECRET

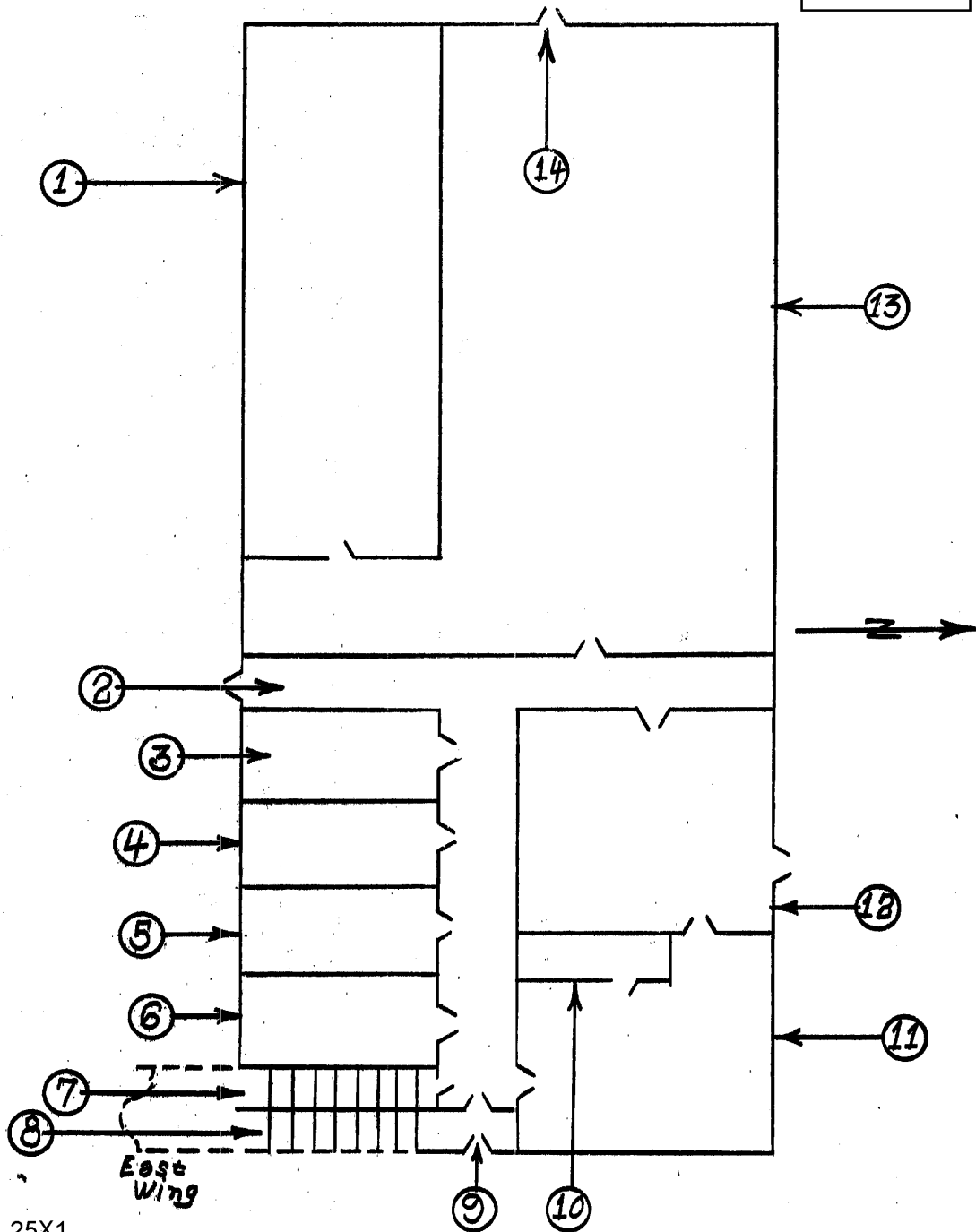
25X1



SECRET

25X1

-31-



Sketch Of The North Wing Floor Plan Of Branch N^o1 Institute 88, Gorodomlya Island USSR.

25X1

SECRET