

INFORMATION REPORT INFORMATION REPORT

CENTRAL INTELLIGENCE AGENCY

This material contains information affecting the National Defense of the United States within the meaning of the Espionage Laws, Title 18, U.S.C. Secs. 793 and 794, the transmission or revelation of which in any manner to an unauthorized person is prohibited by law.

S-E-C-R-E-T
NOFORN

PROCESSING COPY

COUNTRY	Czechoslovakia	REPORT	
SUBJECT	Tanks and Self-Propelled Guns in the Czechoslovak Army	DATE DISTR.	15 March 1957
		NO. PAGES	1
		REQUIREMENT NO.	RD
DATE OF INFO.		REFERENCES	25X1
DATE & PLACE ACQ.			25X1

SOURCE EVALUATIONS ARE DEFINITIVE APPRAISAL OF CONTENT IS TENTATIVE

[redacted] three reports on two new types of tank and one new type of self-propelled gun which were first observed at Opava (N 49-57, E 17-55) in the summer and fall of 1955. One of the tanks is described as a 25-ton tank with a 76-millimeter gun; the other tank is a heavy tank and is allegedly amphibian. The self-propelled gun has a caliber of from 122 to 152 millimeters. The lower part of the body and the track assembly seemed to be identical with those of the new heavy tank described above.

25X1

25

S-E-C-R-E-T

25X1

DE	<input checked="" type="checkbox"/>	ARMY	<input checked="" type="checkbox"/>	NAVY	<input checked="" type="checkbox"/>	AIR	<input checked="" type="checkbox"/>	FBI	<input checked="" type="checkbox"/>	AEC				
----	-------------------------------------	------	-------------------------------------	------	-------------------------------------	-----	-------------------------------------	-----	-------------------------------------	-----	--	--	--	--

Washington distribution indicated by "X"; Field distribution by "#"

INFORMATION REPORT INFORMATION REPORT

by Skoda Works arrived in Jaseiske barracks in Opava. The new tank is considerably smaller than the T-34/85 tank and differs from it also by a conical eight-sided prismatic turret. The tank supposedly weighs 25 tons and its gun has a caliber of 76 mm. The front placed V-type engine is made for gasoline in order to achieve the speed of 50 km/hour. The tank has four bogies on each side which are full cast. The turret is smoothly welded; it has a double wall each part 4 mm thick; between the two layers there is a 5-mm gap. The front part of the tank seems to be cast in one piece. The machine gun protrudes considerably out of the turret; its caliber is about 12 mm.

2. Dimensions of the tank

Length	about 5 meters
Width	" 2.2 to 2.5 meters
Height of the body (excluding the turret)	" 1.7 meters
Height of the turret	" .65 meters
Width of the turret	" 2 meters
Distance from the front end to the driver's slit..	" 180 cm
Distance from the driver's slit to the turret ...	" 1 meter
Bogie diameter	" 60 cm
Drive sprocket wheel and idler diameter	" 40 cm
Width of the track	" 30 cm

3. Legend for the sketch

1. Turret; although eight-sided, it gives the impression of being longer than wide. The walls make about 20-30 degrees with the vertical. (1a) Two-part cover opening from the middle to the sides.
2. Tank gun; conical barrel, about 3 m long, with a muzzle brake, caliber about 76 mm. The joint allows only for elevation; horizontal aiming must be done through turning the whole turret, which can be turned 360 degrees.
3. Machine gun placed at the right-hand side of the gun; the barrel protrudes about 70 cm, the caliber is about 12 mm.
4. Body of the tank; the front part is from one piece, the rest is smoothly welded. The side parts are inclined .

25X1

SECRET
NOFORN



SECRET
NOFORN

2

- 4a. Two large openings with covers; the openings serve for engine repairs.
5. Four bogies, 60 cm in diameter; pressed on rubber rims.
- 5b. Teeth in the middle of the inside of the track.
- 5a. Drive sprocket wheel and idler; 40 cm in diameter.
6. Two exhaust pipes located in the rear of the tank.
7. Cylindrical gasoline tanks placed on both sides of the body. Capacity of one tank about 80 - 100 liters.

Other items of equipment fixed to the outside of the body are: steel cables for self-recovery, chains, a spade, etc. The aerial is on the right-hand side of the tank.

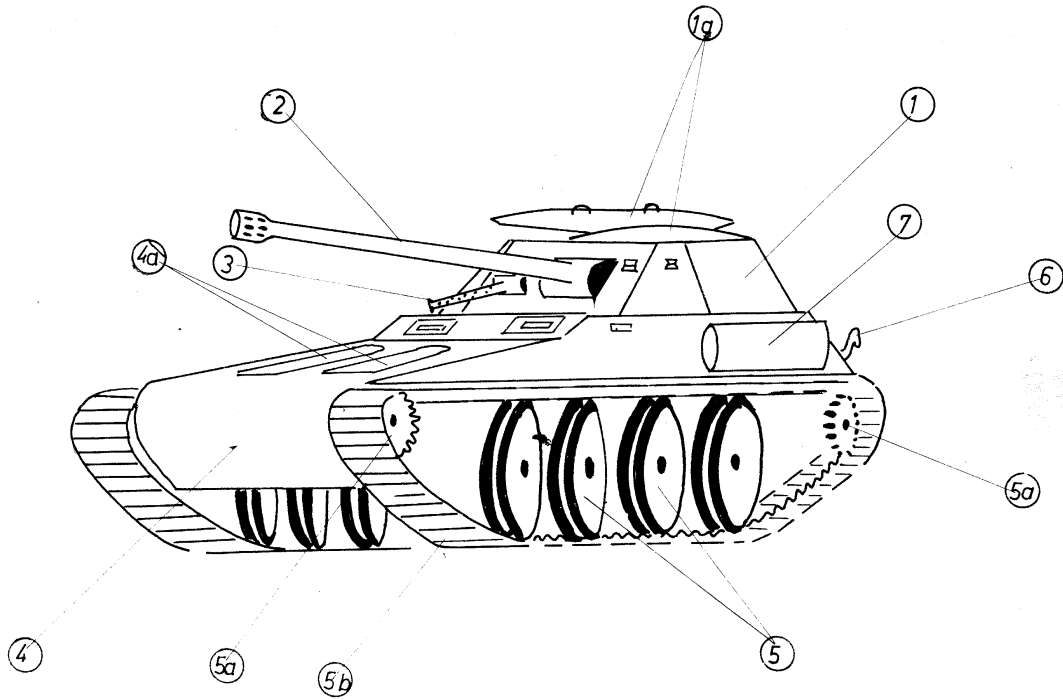
4. The tank is supposed to have a crew of five men.



25X1

SECRET
NOFORN

Sketch # 2



2. The main characteristics of the observed tanks were:

Length	about 7 meters
Width	" 3 meters
Height	" 240 centimeters
Width of tracks	" 60 centimeters
Caliber of the gun	" 122-152 mm.

It differs from the tank T-34/85 in its design. The turret is placed well at the back and the body is very simple and low placed. According to rumors the tank is of an amphibian type.

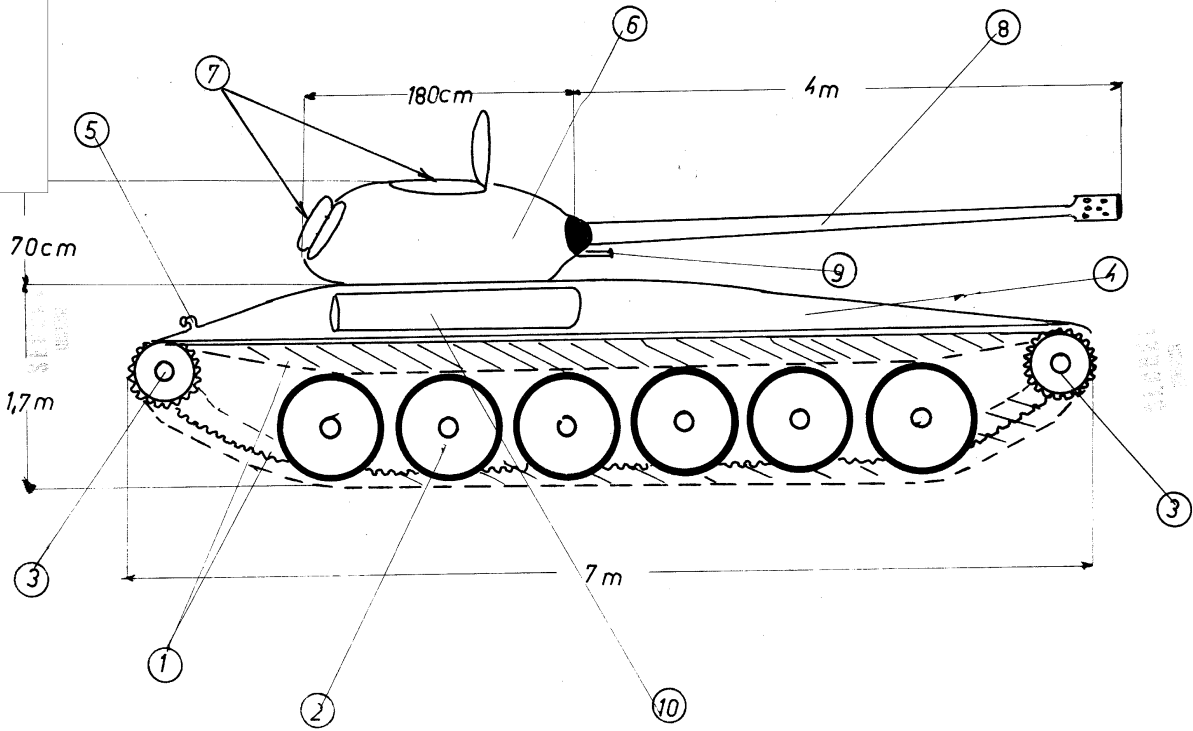
3. Legend for the sketch

1. Track sliding along six bogies.
2. Bogies, full bodies, pressed on rubber rims, about 60 cm in diameter.
3. Drive sprocket wheel and idler; both wheels cogged, about 40 cm in diameter.
4. Body, low placed, aerodynamic, maximum height about 160-170 cm.
5. Exhaust openings.
6. Turret similar in design to the T-34/85 tank turret, but placed in the rear; about 70-100 cm distance is left behind the turret.
7. Steel covers and manholes; the rear manhole is about 60 cm in diameter.
8. Gun barrel, conical, about 4 meters long and protruding in front of the body by about 30-50 cm. Caliber of the gun was estimated to be about 122 to 152 cm. The barrel has a muzzle brake.
9. Heavy machine gun barrel, placed at the side of the gun; the protruding part of the barrel was about 50 cm long.
10. Two cylindrical fuel tanks placed on the sides of the body.

Other items observed fixed to the outside part of the body were: steel cables, chains, and tool box. There were hooks for on both the turret and the body for carrying "tank-born" troops.

SECRET
NOFORN

25X1



of a new type appeared in 1955. The six heavy self-propelled guns was stationed in the barracks at the time of the observation. The self-propelled guns were conspicuously low; according to their crews, the crew had to lie down during the action. The lower part of the body and the track assembly seemed to be identical with those of the new type of a Soviet tank which was observed in Opava in October 1955. The tank was about seven meters long and only about 170 cm high. In September 1955, the six SP guns were moved to a military training area (VVP) and were not seen any more in the barracks.

2. Dimensions of the self-propelled guns:

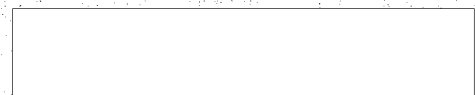
Length	about 7 meters
Width	" 3 "
Height	" 170 centimeters
Width of tracks	" 60 "
Caliber of the gun	" 122-152 mm

3. Legend for the sketch

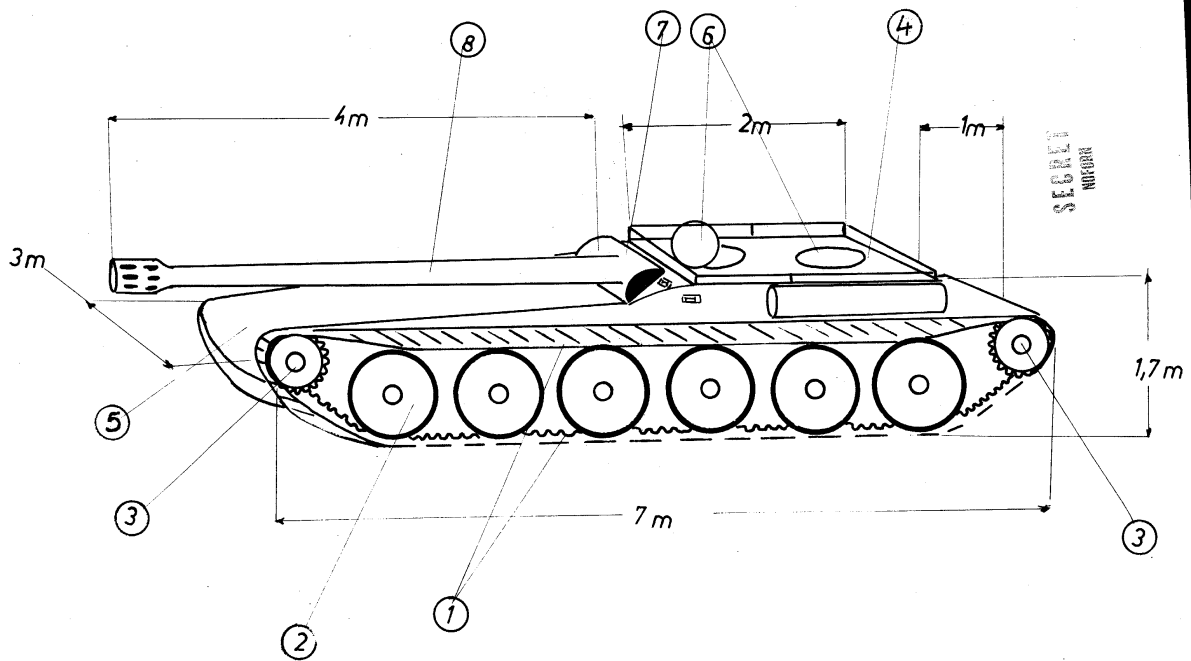
1. Tracks held in position by six bogies.
2. Bogies with pressed on rubber rims, about 60 cm in diameter.
3. Drive sprocket wheel and idler; both wheels cogged, about 40 cm in diameter.
4. Upper platform; about two meters long and protected from all sides by a 25-30 cm high steel railing.
5. Carrier body is welded from several parts; it is ovally shaped; the front and rear sides are inclined at about 30 degrees.
6. Manholes with steel covers; about 60 cm in diameter.
7. Cylindrical joint for the gun barrel.
8. Gun barrel; conical, about 4 meters long, with a muzzle brake, exceeds the body of the carrier by about 30 - 50 cm.

The aerial was on the right hand side of the platform; two cylindrical fuel tanks were placed alongside the platform. The weight of the vehicle was estimated to be about 50 tons.

SECRET
NOFORN



25X1



25X1

Page Denied