

INFORMATION REPORT INFORMATION REPORT

CENTRAL INTELLIGENCE AGENCY

This material contains information affecting the National Defense of the United States within the meaning of the Espionage Laws, Title 18, U.S.C. Secs. 793 and 794, the transmission or revelation of which in any manner to an unauthorized person is prohibited by law.

C-O-N-F-I-D-E-N-T-I-A-L

50X1-HUM

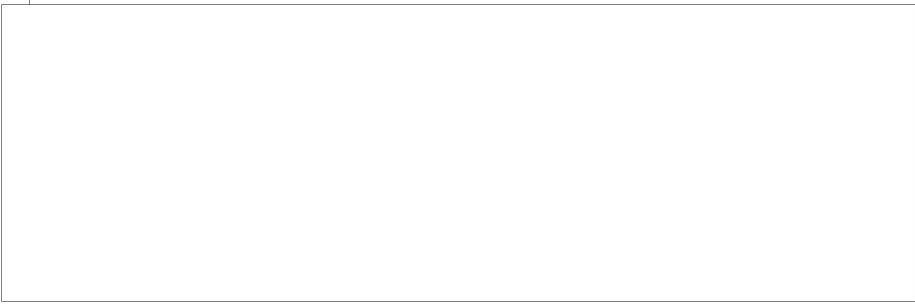
COUNTRY	Poland	REPORT	
SUBJECT	Miscellaneous Organization and Equipment Data on the Eighth Med TK Regt of the Eleventh Armored Division	DATE DISTR.	27 JAN 1954
		NO. PAGES	1
		REFERENCES	RD
DATE OF INFO.			50X1-HUM
PLACE & DATE ACQ.			50X1-HUM

SOURCE EVALUATIONS ARE DEFINITIVE. APPRAISAL OF CONTENT IS TENTATIVE



The document includes miscellaneous information on the Eighth Med. TK Regiment of the Eleventh Armored Division, including details on organization, services and supply units, weapons and equipment, during the period July 1953 - June 1954.

(1)
~~SECRET~~
2/1/50



50X1-HUM

C-O-N-F-I-D-E-N-T-I-A-L

21

STATE	#X	ARMY	X	NAVY	X	AIR	#X	FBI	AEC					
-------	----	------	---	------	---	-----	----	-----	-----	--	--	--	--	--

(Note: Washington distribution indicated by "X"; Field distribution by "#".)

INFORMATION REPORT INFORMATION REPORT

CONFIDENTIAL
CONFIDENTIAL



THIS IS UNEVALUATED, ADVANCE INFORMATION



50X1-HUM

30 November 1957

MISCELLANEOUS ORGANIZATION AND EQUIPMENT DATA ON THE 8th MED TK REGT
OF THE 11th ARMD DIV (POLISH)



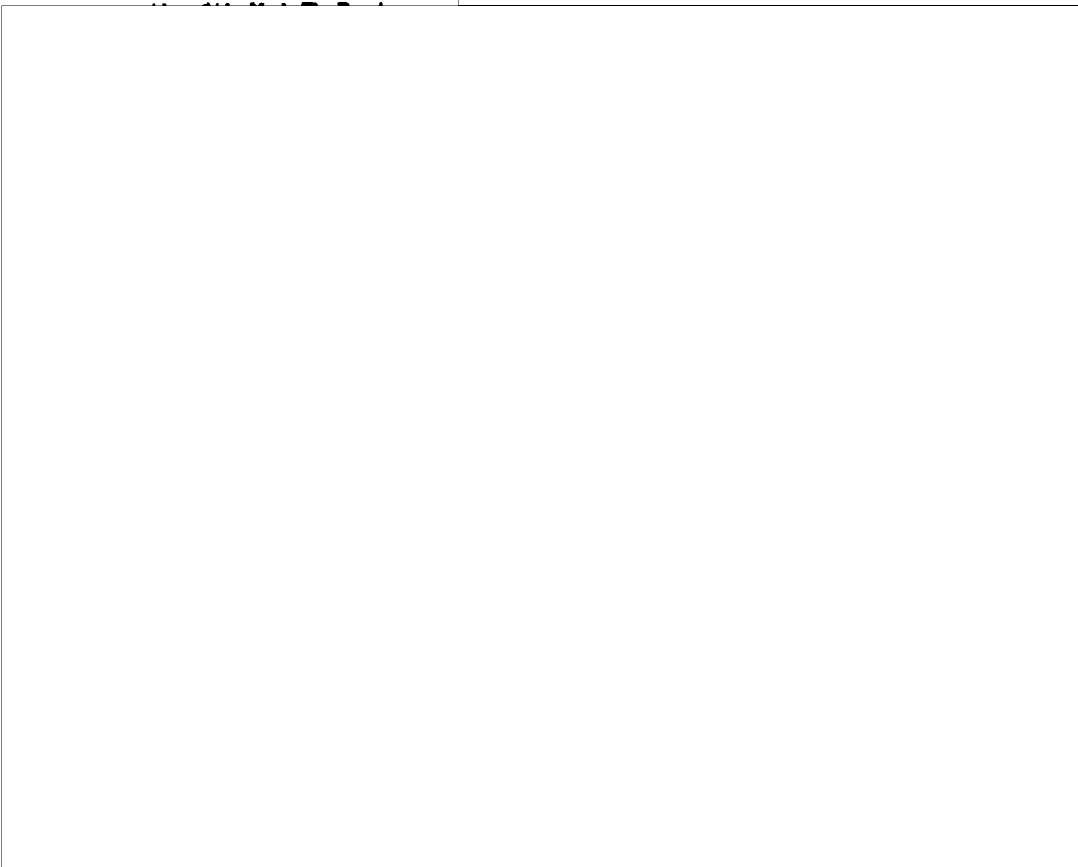
50X1-HUM

Summary : This report gives information on the TOE of the 8th Med Tk Regt of the
11th Armd Div

50X1-HUM

It in-
cludes data on the organization of the regimental staff and duties of
staff officers, and the organization of the tank battalion, tank company,
motorized infantry battalion, motorized infantry company, weapons company,
technical supply company, motor transport company, and miscellaneous
smaller units. At the end of the report there is fragmentary information
on weapons and equipment

50X1-HUM



CONFIDENTIAL

CONFIDENTIAL

50X1-HUM

Page Denied

CONFIDENTIAL

-2-

50X1-HUM

MISCELLANEOUS ORGANIZATION AND EQUIPMENT DATA ON THE 8th MED TK REGT
OF THE 11th ARMD DIV (POLISH)

Table of Contents

	<u>Page</u>
Introduction	4
A. THE 8th MED TK REGT	4
1. <u>The 8th Med Tk Regt Headquarters and Staff</u>	5
a. Regimental Headquarters and Staff	5
b. Duties of Headquarters and Staff Officers	6
2. <u>The Regimental Administration and Supply Platoon</u>	9
3. <u>Tank Battalion</u>	9
a. Organization of the Tank Battalion	9
b. Tank Battalion Headquarters Element	9
c. Tank Company	10
(1) Organization of the Tank Company	10
(2) Tank Company Headquarters Element	10
(3) Tank Platoon	10
(4) Tank Crew (T34/85)	10
(5) Aggregate of the Tank Company Equipment	11
d. Aggregate of the Tank Battalion Equipment	11
4. <u>Motorized Infantry Battalion</u>	11
a. Organization of the Motorized Infantry Battalion	11
b. Motorized Infantry Battalion Headquarters Element	11
c. Motorized Infantry Company	12
(1) Organization of the Motorized Infantry Company	12
(2) Motorized Infantry Company Headquarters Element	12
(3) Motorized Infantry Platoon	12
(4) Motorized Machinegun Platoon	12
(5) Aggregate of the Motorized Infantry Company Equipment	13

CONFIDENTIAL

CONFIDENTIAL

-3-

50X1-HUM

	<u>Page</u>	
d. Weapons Company	13	
(1) Organization of the Weapons Company	13	
(2) Weapons Company Headquarters Element	13	
(3) Anti-tank Platoon	13	
(4) Mortar Platoon	13	
(5) Artillery Platoon (?)	14	
e. Service Unit	14	
f. Aggregate of the Motorized Infantry (SMG) Battalion Equipment	14	
5. <u>Technical Supply Company</u>	14	
6. <u>Motor Transport Company</u>	15	
7. <u>Signal Platoon</u>	15	
8. <u>Chemical Section</u>	15	
9. <u>Medical Platoon</u>	15	
10. <u>Aggregate of the 8th Med Tk Regt Equipment</u>	15	
B. [] FRAGMENTARY INFORMATION ON WEAPONS AND EQUIPMENT	16	50X1-HUM
1. <u>Individual Weapons</u>	16	
2. <u>Machine Guns</u>	16	
3. <u>Anti-tank Weapons</u>	16	
4. <u>Grenades</u>	17	
5. <u>Mortars</u>	17	
6. <u>Artillery</u>	17	
7. <u>Tanks</u>	17	
8. <u>Armored Car</u>	18	
9. <u>Motor Transportation</u>	18	
10. <u>Other Equipment</u>	19	
Annexes:		
Annex A - [] <u>Concept of the Organization of the 8th Med Tk Regt of the 11th Armd Div</u>	21	50X1-HUM
Annex A-1 [] <u>Concept of the Organization of the Staff of the 8th Med Tk Regt, 11th Armd Div</u>	22	50X1-HUM

CONFIDENTIAL

CONFIDENTIAL

-4-



50X1-HUM

Page

Annex A-2 Authorized TOE Grades and Branches of Service for Staff Officers of the 8th Med Tk Regt 23

Annex A-3 [Redacted] Concept of Command and Coordination Lines in the 8th Med Tk Regt, 11th Armd Div 25

50X1-HUM

Annex B - [Redacted] Concept of the Organizational Structure of the Tank Battalion of the 8th Med Tk Regt - Actual Strength 26

50X1-HUM

Annex B-1 TOE of the Tank Battalion Headquarters Element of the Tank Battalion 27

Annex C - [Redacted] Concept of the TOE of the Tank Company Organic to the Tank Battalion of the 8th Med Tk Regt - Actual Strength 28

50X1-HUM

Annex C-1 Authorized Grades of the Tank Company of the Tank Battalion 29

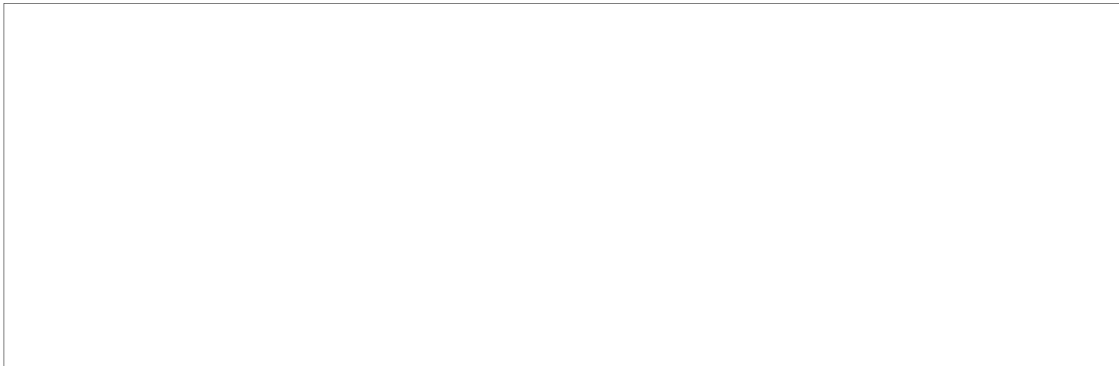
Annex C-2 Authorized Equipment of the Tank Company of the Tank Battalion 30

Annex D - [Redacted] Concept of the TOE of the Motorized Infantry Battalion of 8th Med Tk Regt, 11th Armd Div - Actual Strength 31

50X1-HUM

Introduction

50X1-HUM



A. THE 8th MED TK REGT (See Annex A.)

This regiment consisted of two tank battalions (the 3d Bn allegedly was in [Redacted] "reserve" and had only one officer and two cadre EM assigned to it and its equipment was supposedly stored in an unknown place), one motorized infantry battalion, and a motor transport and technical supply company. It also had a regimental headquarters (for administration and supply functions), signal and medical platoons, and a chemical section. [Redacted]

50X1-HUM

50X1-HUM

50X1-HUM

[Redacted] the actual strength of the 8th Med Tk Regt at about 143 officers and 993 EM. [Redacted] estimates tended to represent minimum figures, [Redacted] The strength, weapons, and equipment figures given are based on [Redacted] observation of this unit and on information on the composition of the various units [Redacted] at Political OCS in 1949-1950.

CONFIDENTIAL

50X1-HUM

CONFIDENTIAL

-5-



50X1-HUM

1. 8th Med Tk Regt Headquarters and Staff (See Annex A-1.)

The 8th Med Tk Regt headquarters consisted of a regimental staff and an Administration and Supply Platoon

50X1-HUM

Regimental headquarters personnel were as follows (the authorized grade for each position is given in parenthesis): (See Annex A-2.)

a. Regimental Headquarters and Staff

Regimental CO (Col) - Major CZAJECKI, (fnu), Armor

Deputy CO for Political Matters (Lt Col) - Capt LECKI, (fnu), Political branch

Chief of Staff (Lt Col) - Maj ROGULSKI, (fnu), Armor

Quartermaster (Kwatermistrz) (Lt Col) - Capt MARCZAK, (fnu), Quartermaster branch

Deputy CO for Technical Matters (Lt Col) - Capt KOWNACKI, (fnu), Armor
The Deputy CO for Political Matters, the Deputy CO for Technical Matters, chief of staff, and the Quartermaster were all coequal and were directly subordinate only to the CO.

The following staff officers were subordinate to the above mentioned officers, as follows:

(1) To the Deputy CO for Political Matters:

Secretary of POP (Basic Party Organization) (Maj) - 1st Lt MALEJ, (fnu), Political branch.

Propaganda Instructor (Maj) - Political branch.

50X1-HUM

Club and Library Officer (2d Lt) - Unknown, Political branch.

(2) To the Chief of Staff:

Chief Tactical Training (Maj) - Capt ANTONOWICZ, (fnu), Armor branch.

Operations Officer (Capt) - Unknown

Physical Training Officer (2d Lt) - Unknown

Reconnaissance Officer (2d Lt) - Unknown

Signal Officer (Maj) - Unknown



50X1-HUM

Chemical Officer (Capt) - Unknown

Personnel Officer (Capt) - Capt GRABOWSKI, (fnu), Armor

Director of the Special Office (1st Lt) - Unknown

Director of the Secret Office (2d Lt) - Unknown

Senior Regimental Surgeon (Maj) - Capt CZORTEK, (fnu), Medical Service

CONFIDENTIAL

CONFIDENTIAL

-6-



50X1-HUM

(3) To the Quartermaster

Chief Finance Officer (Maj) - Unknown

Motor Officer (1st Lt) - Unknown

Quartering Officer (1st Lt) - Unknown

Rations Officer (1st Lt) - Unknown

Clothing Officer (2d Lt) - Unknown

(4) To the Deputy CO for Technical Matters

Chief of Technical Supply (Maj) - Capt WRONSKI, (fnu), Armor branch

Armament Officer (Maj) - Unknown

POL Officer (2d Lt) - Unknown²**b. Duties of Headquarters and Staff Officers****(1) Regimental Commander (Dowodca Pulku)**

Responsible for the discipline, training, and welfare of all officers and EM under his command. He was responsible for the readiness of his unit for combat and for the political attitude and behavior and loyalty of the troops; he gave the final orders on all problems pertaining to these two coequal objectives: combat readiness at all times and the political loyalty of troops.

(2) Deputy CO for Political Matters (Zastepca Dowodcy dla Spraw Politycznych)

The Political Officer was second in command and assisted the commander in obtaining his goal of political indoctrination within the command. He was primarily responsible for the political state of mind of officers and EM. To carry out this mission he was directly subordinate to the higher echelon (division) Political Officer in all matters concerning politics. He controlled the Secretary of POP, Propaganda Officer, and the Club and Library Officer. His secondary mission was to assist the commander of his other duties. (See Annex A-3)

(3) Chief of Staff (Szeft Sztabu)

Responsible for the efficient functioning of the regimental staff and for directing the staff in carrying out the orders of the CO. His primary job was training and assisting the CO in the combat preparation of the command.

(4) The Quartermaster (Kwatermistrz)

Responsible for rations, clothing, pay and quartering for the regiment and the controlled motor transport through the Motor Officer.

(5) Deputy CO for Technical Matters (Zastepca Dowodcy dla Spraw Technicznych)

Responsible for the technical supplies, armament, ammunition and POL. He was authorized direct contact with higher technical echelons, (division and military district level) repair shops, and depots.

CONFIDENTIAL

CONFIDENTIAL

-7-



50X1-HUM

(6) Secretary of POP (Sekretarz POP-u)

Responsible to the Deputy CO for Political Matters for the Communist Party work. He organized party activities, kept the Communist Party members' roster, and exercised great influence in the promotion of officers, and the acceptance and ejection of personnel from the Party.

(7) Propaganda Instructor (Instruktor Propagandy)

Worked under the Deputy CO for Political Matters and assisted the Secretary of POP in organizing classes and in giving lectures on political matters. Was responsible for the procurement of training films (political) and the preparation of posters and training signs. He also helped the political officer to make plans for activities during official holidays and political celebrations.

(8) Club and Library Officer (Oficer Klubu i Biblioteki)

Worked under the Deputy CO for Political Matters. Was responsible for club and library supplies and operation. He assisted regimental units in dayroom activities, the supply of newspapers, magazines etc., and was in charge of the regimental Officers' Club.

(9) Chief Tactical Training Officer (Szef Wyszakolenia Taktycznego)

Worked directly under the Chief of Staff. He worked out plans and schedules for training. He was known as the "Number One Officer" in the office of the Chief of Staff.

(10) Operations Officer (Oficer Operacyjny)

Worked directly under the Chief of Staff and closely with the Chief Tactical Training Officer in the preparation of detailed training plans for each unit of the regiment. He was known as the "Number Two Officer" in the office of the Chief of Staff.

(11) Physical Training Officer (Oficer Wyszakolenia Fizycznego)

Responsible for personal inspections to insure that training plans were followed by the units and that scheduled physical training exercises were adhered to. He worked directly under the Chief of staff and the Chief Tactical Training and Operations Officers.


(12) Reconnaissance Officer (Oficer Rekonesansu, Zwiadu)

Worked directly under the Chief Tactical Training Officer. Assisted in training troops in reconnaissance estimating the tactical situation and in camouflage techniques.

(13) Signal Officer (Szef Lacznosci)

Responsible for the maintenance of signal equipment, liaison with the division signal officer, and for the supervision of the training and functions of the signal platoon. He worked directly under the Chief of Staff.

(14) Senior Intelligence Officer (Starszy Oficer Informacji)

 The Intelligence Officer was assisted by at least two EM, one of whom was a messenger, working for the Intelligence Officer only, and the other having unknown duties.

50X1-HUM

(15) Chemical Officer (Szef Sluzby Chemicznej)**CONFIDENTIAL**

CONFIDENTIAL

-8-

50X1-HUM

Worked directly under the Chief of Staff. Was responsible for procuring, storing, and issuing chemical equipment, gas masks, and chemical training plans.

50X1-HUM

(16) Personnel Officer (Kierownik Kancelarji Personalnej)

Responsible for the maintenance of personnel records for all members of the regiment, including receiving and consolidating morning reports from all units of the regiment. [redacted] each company sent its morning report directly to the office of the regimental personnel officer.

50X1-HUM

(17) Director of the Special Office (Kierownik Kancelarji Specjalnej)

Responsible for coding and decoding of all messages. This officer worked alone.

(18) Director of the Secret Office (Kierownik Kancelarji Tajnej)

Responsible for all classified documents. He kept logs on incoming and outgoing classified correspondence and checked and insured through appointed personnel, that all regimental safes were properly used and that regimental security orders were adhered to.

(19) Senior Regimental Surgeon (Starszy Lekarz Pulku)

Responsible for health, sanitation, inspection of mess halls, and supervision of food preparation for the regiment. He conducted inspections of the barracks and personal hygiene and was responsible for the operation of the regimental dispensary and sick calls. He had the additional duty of being CO of the medical platoon.

(20) Chief Finance Officer (Szef Sluzby Finansowej)

Was subordinate to the Quartermaster. He was responsible for procuring money from the Military District headquarters and paying all officers and EM of the regiment. Officers were paid individually at his office and EM were paid by unit officers who drew money from the Finance Officer upon presentation of payrolls prepared by the units' first sergeant. Two civilian females, typists, worked in the Finance Office.

(21) Motor Officer (Szef Sluzby Samochodowej Pulku)

Responsible to the Quartermaster for the operation of the motor pool and transportation. He also was CO of the Motor Transport Co which operated the motor pool.

50X1-HUM

(22) Quarters Officer (Oficer Kwaterunkowy)

Subordinate to the Quartermaster. He was responsible for the maintenance of buildings and utilities, roads within the installations, and for the supply of fuel for heating.

(23) Rations Officer (Oficer Zywnosciowy)

Responsible for drawing and maintaining sufficient food supply direct from the Military District ration dump.

CONFIDENTIAL

50X1-HUM

CONFIDENTIAL

-9-

(24) Clothing Officer (Oficer Mundurowy)

Responsible for stocking and issuing clothing to all officers and enlisted men of the regiment.

(25) Chief of Technical Supply (Szef Zaopatrzenia Technicznego)

Worked under the Deputy CO for Technical Matters. He was responsible for maintenance of technical equipment, spare parts supply and records, and for insuring that minor repairs were made and unit maintenance was performed.

(26) Armament Officer (Rusznikarz)

Worked under the Deputy CO for Technical Matters. He was responsible for procuring, storing, issuing and maintaining small arms and all other armament in the regiment. He also was responsible for the procurement, storage, and expenditure of ammunition.

(27) POL Officer (Oficer Zaopatrzenia Materialow Pednych)

Worked under the Deputy CO for Technical Matters.² Was responsible for procuring, storing and issuing POL products.

2. Administration and Supply Platoon (Pluton Gospodarczy)

This platoon of the 8th Med Tk Regt consisted of about 45 EM who worked in the various staff sections of regimental headquarters. The TOE called for a second lieutenant to be in charge of the unit.

50X1-HUM

The platoon was commanded by the first sergeant and was subordinate to the Quartermaster.

3. Tank Battalion (See Annexes B and B-1)**a. Organization of the Tank Battalion**

The tank battalion had a battalion headquarters and three tank companies, numbered the 1st, 2d, and 3d Tank Companies. there was no organic signal section at this level, during maneuvers a signal section, size and equipment unknown, was attached to the battalion headquarters element. The actual strength of the battalion at 38 officers and 102 EM.

50X1-HUM

50X1-HUM

b. Tank Battalion Headquarters Element (2 officers and 6 EM, including a three-man tank crew)**Personnel and Individual Weapons:**

Battalion Commander - (Maj) (P & SMG)
 Chief of Staff^o - (Capt) (P & SMG)
 Clerk - (Cpl) (SMG)
 Runner - (Cpl) (SMG)
 Driver - (Sgt) (SMG)
 Three-man crew

CONFIDENTIAL

CONFIDENTIAL

-10-



50X1-HUM

Equipment:

1 x Tank T34-85	2 x Binoculars
1 x Truck, GAZ-69	1 x Pistol, "Very"
2 x Pistol, TT	
8 x SMG, PM	

c. Tank Company (See Annexes C and C-1)**(1) Organization of the Tank Company**

The tank company was composed of three platoons, numbered 1st, 2d, and 3d, and a company headquarters element. Both the actual and TOE strength of a tank company was 12 officers and 32 EM. [redacted] an aidman (sanitariusz) was organic to the tank company. [redacted] during maneuvers one aidman was attached to the company headquarters element from the regimental medical unit. 50X1-HUM

(2) Tank Company Headquarters Element: 3 officers, 5 EM**Personnel and Individual Weapons:**

Commanding Officer - (Capt) (P & SMG)
 Deputy CO, Political Officer - (1st Lt) (P & SMG)
 Deputy CO, Technical Officer - (1st Lt) (P & SMG)
 First Sergeant - (M/Sgt)(RA - Starszy Sierzant
 Nadterminowy)(P & SMG)
 Clerk - (SFC) (RA-Plutonowy Nadterminowy) (P & SMG)
 Tank Crew (T34/85) - (3 EM)

Equipment:

1 x Tank, T34/85	3 x Binoculars
5 x Pistol "TT"	1 x Pistol, "Very"
8 x SMG "PM"	

(3) Tank Platoon (3): 3 officers and 9 EM:

The tank platoon was organized into three tank crews, numbered 1st, 2d, and 3d. The 1st tank crew was automatically platoon headquarters and the tank commander was the platoon leader.

Personnel and Individual Weapons:

Platoon Leader and Tank Commander (1st tank) - (1st Lt) (P & SMG)
 Tank Commander (2d tank) - (2d Lt) (P & SMG)
 Tank Commander (3d tank) - (2d Lt) (P & SMG)
 Tank Crews (3) - (9 NCOs) (9 SMG)

Equipment:

3 x Tank, T34-85	3 x Binoculars
3 x Pistol, TT	3 x Pistol, "Very"
12 x SMG, PM	

(4) Tank Crew (10): 1 officer and 3 EM**Personnel and Individual Weapons:**

Tank Commander - (Officer) (P & SMG)
 Tank Driver (Kierowca) - (SFC)(RA-Plutonowy Nadterminowy)(SMG)

CONFIDENTIAL

50X1-HUM

CONFIDENTIAL

-11-

Gunner (Celownicz) - (Sgt) (Reservist) (SMG)
 Loader (Ladowniczy) - (Cpl) (Reservist) (SMG)

Equipment:

1 x Tank, T34/85	1 x Binoculars
1 x Pistol TT	1 x Pistol, "Very"
3 x SMG, PM	

During WW II the tank crew consisted of five men. In the present Polish tank crew (T34/85) there was no assistant driver

50X1-HUM

(5) Aggregate of the Tank Company Equipment (See Annex C-2)

10 x Tank, T34/85	12 x Binoculars
14 x Pistol TT	10 x Pistol, "Very"
44 x SMG, PM	

d. Aggregate of the Tank Battalion Equipment:

31 x Tank, T34/85	38 x Binoculars
1 x Truck, GAZ-69	31 x Pistol, "Very"
44 x Pistol, TT	
140 x SMG, PM	

50X1-HUM

[redacted] the TOE called for officers to be armed with pistols and submachine guns. Actually each officer was issued both, but only the pistol was carried on duty and during maneuvers.

50X1-HUM

[redacted] although the truck, GAS-69 (Jeep) was authorized for the battalion, they were in short supply and were controlled by the regimental Motor Officer by whom the vehicles were stored and dispatched.

4. Motorized Infantry Battalion (26 officers and 475 EM) (See Annex D)**a. Organization of the Motorized Infantry Battalion**

The motorized infantry battalion [redacted] was organic to the 8th Med Tk Regt of the 11 Armd Div. It consisted of three infantry companies, one weapons company, one service unit, and a battalion headquarters element.

50X1-HUM

[redacted] All members of this unit wore caps with black bands.

50X1-HUM

b. Motorized Infantry Battalion Headquarters Element: 2 officers and 5 EM**Personnel:**

Commanding Officer
 Chief of Staff⁶
 Administrative NCOs (3)
 Drivers (2)

Equipment:

1 x Truck, 1½-ton Dodge
 1 x Truck, GAZ-69 (Jeep)

CONFIDENTIAL

50X1-HUM

CONFIDENTIAL

-12-

50X1-HUM

c. Motorized Infantry (SMG) Company (3): 6 officers and 114 EM.

The motorized infantry company was also called "fusilier" company (kompania fuzyljerow) [redacted] the troops were employed for close tank support and rode on top of the tanks when necessary. Source stated that most of these troops were armed with submachine guns; only a few carried carbines, KBK. The motorized infantry company was organized into three infantry platoons, one machine gun platoon, and a company headquarters element.

(2) Motorized Infantry Company Headquarters Element: 2 officers and 4 EM

Personnel:

Commanding Officer
Deputy CO, Political Officer
Administrative NCOs (3)
Driver

Equipment:

1 x Truck, Lublin or ZIS or GAZ-69 [redacted]
6 x (?) Pistol, SMG, or Carbine KBK

50X1-HUM

(3) Motorized Infantry Platoon (SMG) (3): 1 officer and 28 EM

50X1-HUM

Personnel:

Platoon Leader
Infantrymen (27). [redacted]
[redacted] the infantrymen, but assumed on the basis of his school instruction in 1950, that these men were divided into three nine-man infantry squads.
Driver

50X1-HUM

Equipment:

1 x Truck, Lublin, Star, or ZIS

(4) Motorized Machine Gun Platoon: 1 officer and 26 EM

[redacted] based on troop formations and his school instruction. [redacted] during formations and parades, the machine gun platoon was always at the head of a company and occupied four to six rows of a column formation having four men abreast. [redacted] this platoon consisted of two sections, a light and a heavy machine gun section. Two truck drivers were assigned to the machine gun platoon.

LMG Section: 12 EM, manning 6 LMGs (7.62-mm, Light, Degtyarev)
HMG Section: 12 EM, manning 3 HMGs (7.62-mm, Heavy, Goryunov, M1943)

Equipment:

3 x HMG, 7.62-mm
6 x LMG, 7.62-mm
27 x Pistol, Carbine (?), and SMG (SMG was the basic weapon)
2 x Truck, Lublin or ZIS

50X1-HUM

CONFIDENTIAL

CONFIDENTIAL

-13-

50X1-HUM

(5) Aggregate of the Motorized Infantry Company Equipment:

3 x HMG
 6 x LMG
 126 x Pistol, Carbine, or SMG
 5 x Truck, Lublin or ZIS
 1 x Truck, Star-20 or Truck, GAS-69

50X1-HUM

d. Weapons Company: 5 officers and 83 EM**(1) Organization of the Weapons Company**

[redacted] the weapons company of the motorized infantry battalion consisted of the company headquarters element, one antitank platoon, one mortar platoon, and one artillery platoon.

(2) Weapons Company Headquarters Element:**Personnel:**

Company Commander
 Deputy CO for Political Matters
 Clerks (2 EM)
 Drivers (2 EM)

Equipment:

6 x Pistol, SMG
 1 x Truck, GAZ-69 (Jeep)

50X1-HUM

(3) Anti-tank Platoon: 1 officer and 25 EM

[redacted] this platoon had three sections and each section had two four-man gun crews, each manning a 14.5-mm, AT Rifle, PTRD-1941. This rifle was to be replaced [redacted] the "piosc przeciw pancerna" (sic) an unidentified bazooka or recoilless rifle. In 1954 two or three pieces of this new weapon were issued to this platoon for familiarization and training.

Personnel:

Platoon Leader
 Gun Crews (6) (24 EM)
 Driver

50X1-HUM

Equipment:

6 x 14.5-mm, AT Rifle, PTRD-1941 (to be replaced by an unidentified AT weapon)
 26 x Pistol, Carbine, SMG
 1 x Truck, Lublin

(4) Mortar Platoon: 1 officer and 27 EM

The mortar platoon had three sections, each equipped with a 120-mm mortar towed by a Lublin-type truck.

Personnel:

Platoon Leader (officer)
 Gun Crew (3) (24 EM)
 Driver (3 EM)

CONFIDENTIAL

50X1-HUM

CONFIDENTIAL

-14-

Equipment:

3 x Mortar, 120-mm
 26 x Pistol, Carbine or SMG
 3 x Truck, Lublin

50X1-HUM

(5) Artillery (?) Platoon: 1 officer and 27 EM

[redacted] this unit an "artillery platoon". It had three sections, each equipped with an unidentified gun [redacted] towed by a Lublin-type truck.

50X1-HUM

Personnel:

Platoon Leader (officer)
 Gun Crews (3) (24 EM)
 Driver (3 EM)

Equipment:

3 x Artillery Guns, (76-mm, towed (?))
 28 x Pistol, Carbine, SMG
 3 x Truck, Lublin

50X1-HUM

e. Service Unit: 1 officer and 45 EM

[redacted] the service unit included motor transport and administrative personnel and cooks. He estimated that 10 Star trucks were assigned to this unit.

Personnel:

Commanding Officer
 Cooks, drivers (45 EM)

Equipment:

46 x Pistol, Carbine, SMG
 10 x Truck, Star

f. Aggregate of the Motorized Infantry (SMG) Battalion Equipment:

3 x Mortar, 120-mm
 3 x (?) Artillery Guns (76-mm)
 6 x AT Rifle, 14.5-mm, PTRD-1941
 3 x HMG
 6 x LMG
 501 x Pistol, Carbine, SMG
 2 x Truck, GAS-69
 1 x Truck, 1½-ton, Dodge
 15 x Truck, Lublin and ZIS
 10 x Truck, Star-20

50X1-HUM

5. Technical Supply Company (Kompania Zaopatrzenia Technicznego - KZT): 5 officers and 100 EM

[redacted] The technical supply company consisted of five officers, including the CO, Deputy CO for Political Matters, and three platoon leaders and had an estimated strength of 100 EM. [redacted]

CONFIDENTIAL

50X1-HUM

CONFIDENTIAL

-15-

50X1-HUM

[redacted] this company was responsible for maintenance (echelon unknown) of tanks, and keeping stock parts records; the supply and issue of weapons including small arms; all ammunition; and the procurement, storage, and issue of POL products to all units in the regiment.

6. Motor Transportation Company (Kompanja Samochodowa): 3 officers and 60 EM

[redacted] The motor transportation company was organic to the 8th Med Tk Regt and was subordinate to the regimental Quartermaster. The CO of this unit was also the regimental Motor Officer. Although the TOE called for five officers, only three officers were assigned, the CO, Deputy CO for Political Matters and one platoon leader.

50X1-HUM

[redacted] the motor transportation company had three platoons with total strength of 3 officers and about 60 EM. Each platoon was equipped with 6 trucks of the Star or Lublin type, or a total of 18 trucks.

50X1-HUM

[redacted] this unit also had two unidentified special purpose vehicles [redacted] described as maintenance trucks ("voz warsztat mechaniczny") and four GAZ-69 trucks (jeeps). [redacted] this unit operated the regimental motor pool and provided transportation for the Headquarters Administration and Supply Platoon.

50X1-HUM

50X1-HUM

50X1-HUM

7. Signal Platoon (Pluton Laczności): 1 officer and 30 EM

[redacted] It was organic to the 8th Med Tk Regt and was subordinate to the regimental Signal Officer. This platoon was commanded by a signal officer and had approximately 30 EM assigned.

50X1-HUM

[redacted] the signal platoon was organized into two sections, the wire section and the radio section, the latter consisting of one master sergeant in charge and three or four EM.

50X1-HUM

50X1-HUM

[redacted] out the regiment. Source had no knowledge of the detailed organization or of the equipment assigned to the signal platoon.

50X1-HUM

50X1-HUM

8. Chemical Section: 1 officer and 2 EM

50X1-HUM

[redacted] The chemical section was headed by the regimental Chemical Officer who had two EM typists, assigned to help him in the procurement of chemical supplies for the regiment.

50X1-HUM

[redacted] The chemical section was responsible for the training and indoctrination of troops in chemical warfare and prepared posters and training aids to accomplish this mission.

[redacted] the technical supply company furnished work details to the chemical section when it was necessary.

50X1-HUM

9. Medical Platoon (Pluton Sluzby Zdrowia): 3 officers and 15 EM

50X1-HUM

[redacted] the medical platoon was better known under the name of the "dispensary" ("izba chorych"). It consisted of three officers, including senior regimental doctor who was also the regimental surgeon and the medical platoon commander, one doctor, and one feldsher ("felczer") and about 15 EM. This platoon operated the dispensary with one master sergeant and three or four EM.

50X1-HUM

[redacted] this platoon was understrength and could not furnish aidmen to all company-size regimental units.

50X1-HUM

10. Aggregate of the 8th Med Tk Regt Equipment (estimated):

50X1-HUM

64 x Tank, T-34/85

3 x (?) Artillery Guns, 76-mm, towed

6 x AT Rifle, 14.5-mm, PTRD-1941 (were to be replaced by an unknown rocket-type weapon)

CONFIDENTIAL

CONFIDENTIAL

-16-



50X1-HUM

- 3 x Mortar, 120-mm
- 3 x HMG
- 6 x LMG
- 1076 x Pistol, Carbine, or SMG
- 76 x Binoculars (this figure is for the tank battalions only)
- 64 x Pistol "Very", one each per tank only
- 6 x Truck, GAZ-69
- 1 x Truck, 1½-ton
- (?) x Truck, (Star, Lublin, or ZIS type)

50X1-HUM


B.  FRAGMENTARY INFORMATION ON WEAPONS AND EQUIPMENT



1. Individual Weapons


a. 7.62-mm Tokarev Pistol, M1933 - TT

50X1-HUM

This weapon was issued to all officers and certain EM, such as first sergeants and clerks.  this Soviet-type weapon was manufactured in Poland, but he was certain that it did not have a star engraved on the hand guard.

b. 7.62-mm Mossin-Nagant Carbine, M1944 - KBK

50X1-HUM

This weapon generally was issued to infantry troops. It was manufactured in unidentified plants in Poland and was called a short, combat rifle (Krotki Karabin Bojowy - KBK).  very few of this type weapon were issued to tank units.

c. 7.62-mm Sudarev PPS Submachine Gun, M1943 - PM


This weapon was standard issue for tank units and for troops of the motorized infantry battalion organic to the medium tank regiment. It was manufactured in unknown plants in Poland and was generally called a machine pistol - (Pistolet Maszynowy - PM).

2. Machine Guns

a. 7.62-mm Degtyarev Light Machine Gun, M-DP

This was a standard item of issue, Polish manufactured (place unknown), issued to the motorized infantry battalions organic to medium tank regiments. It was known in Poland as light machine gun - (Lekki Karabin Maszynowy - LKM), or hand machine gun (Reczny Karabin Maszynowy - RKM).

b. 7.62-mm Goryunov Heavy Machine Gun, M1943 (Ciezki Karabin Maszynowy - CKM)

 this model was manufactured in unknown plants in Poland with unidentified modifications and was a standard item of issue in motorized infantry battalions organic to medium tank regiments.

50X1-HUM

3. Antitank Weapons

a. 14.5-mm AT Rifle, PTRD-1941, Degtyarev (Rusznica Przeciwpancerna).

50X1-HUM

This was a Soviet-made weapon  in the antitank platoon of the weapons company of the motorized infantry battalion of the 8th Med

CONFIDENTIAL

CONFIDENTIAL

-17-



50X1-HUM

Tk Regt. [redacted] this weapon had been declared obsolete and was to be replaced by a new unidentified rocket-type antitank weapon.

50X1-HUM

b. New Unidentified Antitank Weapon

[redacted] the 14.5-mm AT Rifle, PTRD-1941 was to be replaced by a new rocket-type weapon which was referred to as an "anti-armor fist"-piesc przeciw pancerna. Three of this new weapon were on hand at the headquarters of the weapons company of the motorized infantry battalion of the 8th Med Tk Regt in 1954 and were used for indoctrinating officers and selected NCOs in nomenclature, functioning, and general familiarization. [redacted] it was either a bazooka or recoilless type weapon.

50X1-HUM

50X1-HUM

4. Grenades

[redacted] two types of grenades in the hands of the 8th Med Tk Regt troops.

50X1-HUM

- a. F-1 Defensive Hand Grenade
b. RGD-33 Offensive/Defensive Hand Grenade

5. Mortars

[redacted] one type of 120-mm mortar in the mortar platoon of the weapons company of the motorized infantry battalion of the 8th Med Tk Regt. The 120-mm mortars were towed by Lublin-type trucks.

50X1-HUM

6. Artillery

[redacted] two types of artillery pieces issued to the artillery platoon of the weapons company of the motorized infantry battalion of the Med Tk Regt [redacted]

50X1-HUM

50X1-HUM

- a. 76-mm Regimental Gun (Howitzer) M1943
b. 76-mm Divisional Gun M1942 (ZIS-3)

[redacted] Both weapons mentioned above were towed by ZIS-type trucks.

50X1-HUM

7. Tanks

[redacted] two standard type tanks in Polish army.

50X1-HUM

a. JS-type tank

[redacted] It was manufactured in Russia and the models [redacted] dated from WW II. It was issued to heavy tank regiments.

50X1-HUM

b. T34/85 Tank

This tank was standard issue to medium tank regiments. [redacted] since 1952 parts and sections of this tank were being manufactured in several unidentified plants in Poland, and as he recalled an unknown plant in BYDGOSZCZ was one of these. [redacted] the following modifications were made on the T-34 type tanks: The turret was operated automatically, the gun recoil mechanism was improved and a new type of stabilizer was installed. [redacted]

50X1-HUM

50X1-HUM

50X1-HUM

CONFIDENTIAL

CONFIDENTIAL

-18-

50X1-HUM

All these modifications, according to talk among the tank officers greatly improved the accuracy of fire, especially while the tank was in motion. The tank gun was of 85-mm caliber and each T34-85 tank was equipped with a 9-R radio.⁵

c. Unidentified Amphibious Tank

There were three of these amphibious tanks the size of T-34 tank but of a lower, oval, boat-like shape.

50X1-HUM

tank officers assigned to the 8th Med Tk Regt in 1954 from the school praise the new amphibious tank for its speed of 80 km (sic) on the road and for its excellent performance in river crossings. This tank was of Soviet manufacture and used for training of future tank officers.

8. Armored Car

the BA-64 Armored Car in the reconnaissance elements of the 11th Armd Div.

50X1-HUM

9. Motor Transportation

a. Motorcycle, M-72 and Side Car

50X1-HUM

this type of motorcycle in the reconnaissance unit of the 11th Armd Div. It was of WWII Soviet manufacture. this type of motorcycle was manufactured in Poland. in some cases the side car of the M-72 motorcycle was equipped with a machine gun mounted in front.

50X1-HUM

b. Truck, GAZ-69 (Jeep)

50X1-HUM

This truck was standard issued to the 11th Armd Div units. it was commonly called "Gazik", a small GAZ.

c. Truck, Lubin (GAZ-51 model)

This vehicle was manufactured in LUELIN, Poland and was replacing the Soviet-made ZIS-type vehicles.

d. Truck, Star-20

This vehicle was manufactured in STARACHOWICE, Poland and was similar to the American-made Studebaker-type truck. orders were issued to the effect that Star-type trucks were to be used for transportation service only and not for tactical use.

50X1-HUM

e. Special Purpose Vehicles

radio, maintenance (wozy warsztatowe), and ambulance trucks, all of which were built on unidentified ZIS-type chassis. ambulance vehicles were being built in unknown plants in Poland.

50X1-HUM

50X1-HUM

CONFIDENTIAL

50X1-HUM

CONFIDENTIAL

-19-



10. Other Equipment

a. Binoculars - "NRD"

Binoculars were issued to all officers of the tank battalion and tank companies of the 8th Med Tk Regt. The binoculars were of East German manufacture and were known as "NRD" binoculars; these letters were engraved above the numerals 6 x 30, indicating the power. There were a few unidentified Soviet-made binoculars of 7 x 50 strength, but these were being replaced by the NRD type.

b. Pistol, "Very"

This pistol was an item of standard issue to each T34/85 tank in the 8th Med Tk Regt. It was manufactured at an unknown plant in Poland. The Poles were proud of this item because it was developed, not copied from the Soviets, and manufactured in their own country. Two types of flares could be fired from this weapon: white and red.

50X1-HUM

c. Protective Masks

[redacted] two types of protective masks:

50X1-HUM

(1) Mask, Gas, Shlem-1

This item was issued to all military personnel. It was of Soviet origin [redacted]

50X1-HUM

(2) New Unidentified Gas Mask

[redacted] a new type gas mask which was shown to officers in the headquarters office of the Deputy CO for Technical Matters, Capt (fnu) KOWNACKI. This officer said that the new gas mask would replace the Shlem-1, and the officers present at this demonstration were told that the new masks were being kept in storage for issue at an unknown date. [redacted] the major difference between the old type and new type was that the canister was attached to the head gear, exact location unknown.

50X1-HUM

50X1-HUM

50X1-HUM

CONFIDENTIAL

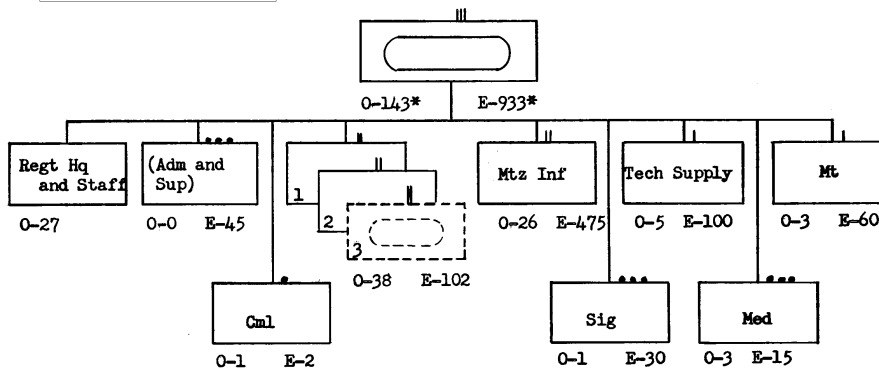
50X1-HUM

Page Denied

CONFIDENTIAL

Annex A

Organization of the 8th Med Tk Regt of the 11th Armd Div



Estimated Total Equipment: 64 x Tank T/34-85
 3 x Arty Gun (76-mm, towed (?))
 3 x 120-mm Mortar
 6 x 14,5-mm AT Rifle, PTRD-1941
 3 x HMG
 6 x LMG
 1076 x Pistol, Carbine, or SMG

Transport: 6 x Truck, GAZ-69
 1 x Truck, 1½-ton, Dodge
 1 x Truck, Star-20, Lublin, ZIS
 74 x Binocular, NDR (in tank units only)
 64 x Pistol "Very" (one each per tank) 50X1-HUM

*This number includes only one officer and 2 EM cadre for the 3d Tk Bn.

CONFIDENTIAL

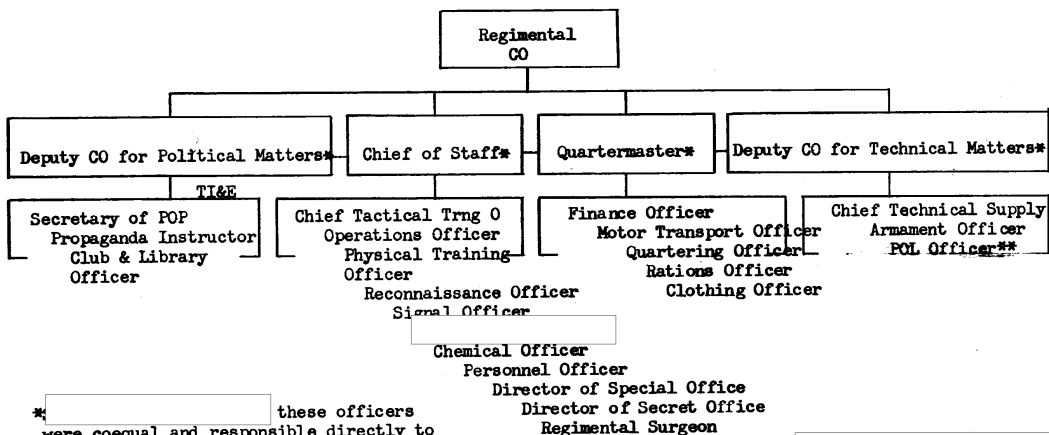
CONFIDENTIAL

-22-
Annex A-1

50X1-HUM

Organization of the Staff of the 8th Med Tk Regt, 11th Armd Div

50X1-HUM



50X1-HUM

* [redacted] these officers were coequal and responsible directly to the CO.

50X1-HUM

** [redacted] this officer was subordinate to Deputy CO for Technical Matters.

50X1-HUM

--- [redacted] these four officers cooperated and coordinated on technical matters.

50X1-HUM

50X1-HUM

CONFIDENTIAL

50X1-HUM

CONFIDENTIAL

-23-

Annex A-2

Authorized TOE Grades and Branches of Service for Staff Officers of the

	<u>8th Med Tk Rgt</u>						Branches of Service
	<u>Col</u>	<u>Lt Col</u>	<u>Maj</u>	<u>Capt</u>	<u>1st Lt</u>	<u>2d Lt</u>	
Regimental Commander	1						Armor
Deputy CO for Political Matters		1					Political
Chief of Staff		1					Armor
Quartermaster		1					QM
Deputy CO for Technical Matters		1					Armor
Secretary of POP			1				Political
Propaganda Instructor			1				Political
Club and Library Officer					1		Political
Chief Tactical Training Officer			1				Armor
Operations Officer				1			Armor
Physical Training Officer					1		Inf
Reconnaissance Officer					1		Unk
Signal Officer			1				Sig
Chemical Officer				1			Cml

50X1-HUM

CONFIDENTIAL

50X1-HUM

CONFIDENTIAL

-24-

Annex A-2 Cont'd

	Col	Lt Col	Maj	Capt	1st Lt	2d Lt	Branch of Service
Personnel Officer			1				Armor
Director of Special Office				1			Administration
Director of Secret Office					1		Administration
Regimental Surgeon		1					Med
Chief Finance Officer		1					QM
Motor Officer				1			Transp
Quartermaster Officer				1			QM
Rations Officer				1			QM
Clothing Officer					1		QM
Chief Technical Supply		1					Armor
Armament Officer		1					Unk
POI Officer					1		QM ²
TOTAL	1	4	8	4	4	6	

CONFIDENTIAL

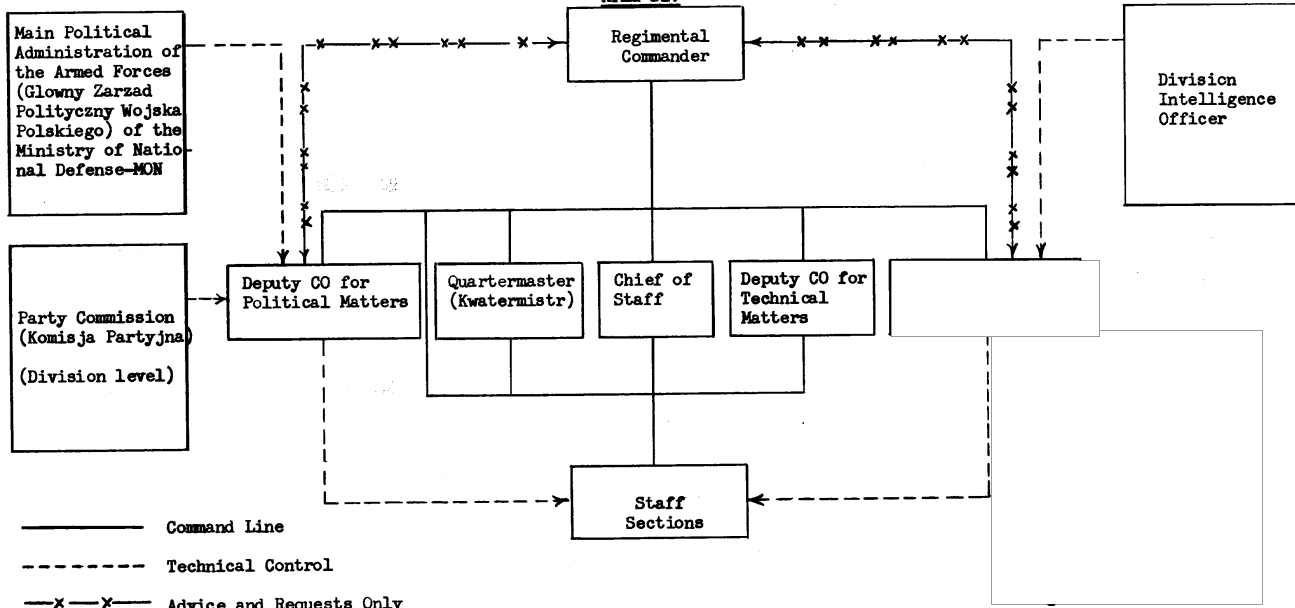
CONFIDENTIAL

50X1-HUM

-25-
Annex A-3

Command and Coordination Lines in the 8th Med Tk Regt 11th
Armd Div

50X1-HUM



50X1-HUM

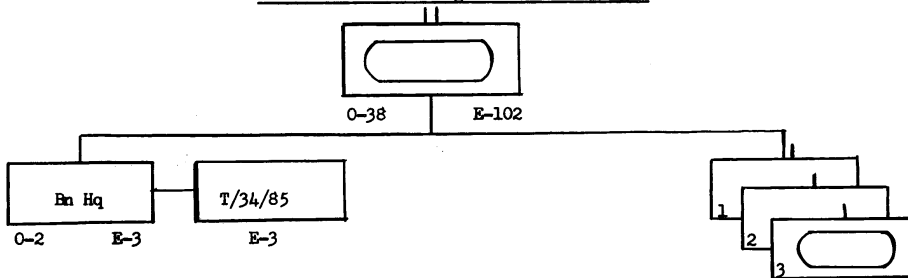
CONFIDENTIAL

CONFIDENTIAL

-26-

Annex B

Organizational Structure of the Tank Battalion
of the 8th Med Tk Regt - Actual Strength



* During the fall maneuvers of 1953 a signal section was attached from regimental headquarters, having two or three EM under an NCO. any other service units being organic or attached to this unit. The EM strength for battalion headquarters includes a three-man tank crew for the battalion commander.

Total Equipment: 31 x Tank, T34/85
44 x Pistol, TT
140 x SMG, PM
1 x Truck, GAZ-69
38 x Binocular, NDR
31 x Pistol "Very"

CONFIDENTIAL

CONFIDENTIAL

-27-

50X1-HUM

Annex B-1

TOE of the Tank Battalion Headquarters Element of the Tank Battalion*

	Personnel				Equipment					
	Maj	Capt	Sgt	Cpl	Pistol	SMG	Binoc- ulars	Pistol "Very"	T34/85 Tank	Truck GAZ-69 (Jeep)
CO	1				1	1	1	1	1	
Chief of Staff		1			1	1	1			1
Clerk				1		1				
Runner				1		1				
Driver (Jeep)			1			1				
Driver (Tank)			1			1				
Gunner				1		1				
Loader				1		1				
TOTAL	1	1	2	4	2	8	2	1	1	1

* Actually, officers and EM were in grades lower than those authorized.

CONFIDENTIAL

CONFIDENTIAL

50X1-HUM

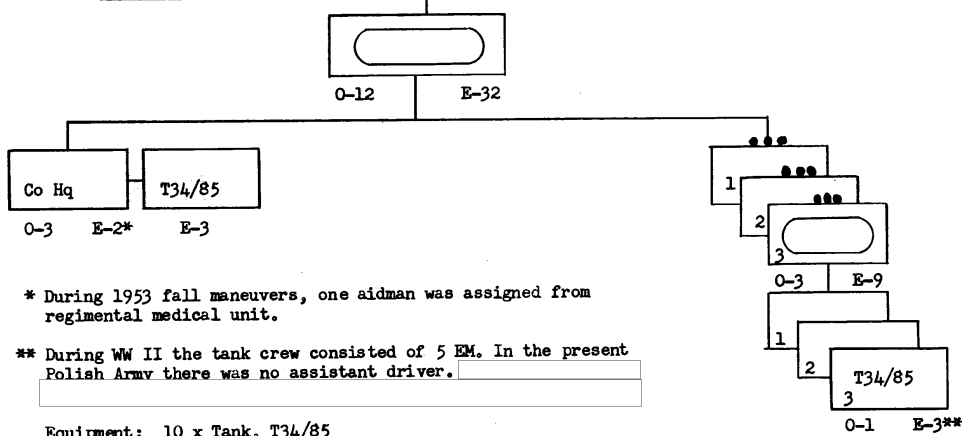
-28-

Annex C

TOE of the Tank Company Organic to the Tank

Battalion of the 8th Med Tk Regt - Actual Strength

50X1-HUM



50X1-HUM

50X1-HUM

CONFIDENTIAL

C O N F I D E N T I A L

-29-

50X1-HUM

Annex C-1

Authorized Grades of the Tank Company of the Tank

	<u>Battalion*</u>						
	<u>Capt</u>	<u>1st Lt</u>	<u>2d Lt</u>	<u>First Sgt (RA)</u>	<u>SFC (RA)</u>	<u>SGT (Reservist)</u>	<u>CPL (Reservist)</u>
CO	1						
Deputy CO for Political Matters		1					
Deputy CO for Technical Matters		1					
Platoon Leaders		3					
Tank Commanders			6				
First Sergeant				1			
Clerk					1		
Tank Driver						10	
Gunner							10
Loader							10
Aidman	One EM believed to be attached from regiment						
TOTAL	1	5	6	1	1	10	20

*Actually, the officers and EM were in grades lower than those authorized.

C O N F I D E N T I A L

CONFIDENTIAL

-30-



50X1-HUM

Annex C-2

Authorized Equipment of the Tank Company of the Tank Battalion

	Pistol, TT	SMG, FN	Binoculars	Pistol "Very"	T34/85 Tank	
CO	1	1	1	1	1	
Deputy for Political Matters	1	1	1			
Deputy for Technical Matters	1	1	1			
Platoon Leader (3)	3	3	3	3	3	(1 per each Platoon Leader)
Tank Commander (6)	6	6	6	6	6	(1 per each Tank Commander)
First Sergeant	1	1				
Clerk	1	1				
Tank Driver (10)		10				(1 per each Tank Driver)
Gunner (10)		10				(1 per each Gunner)
Loader		10				(1 per each Loader)
TOTAL	14	44	12	10	10	

CONFIDENTIAL

CONFIDENTIAL

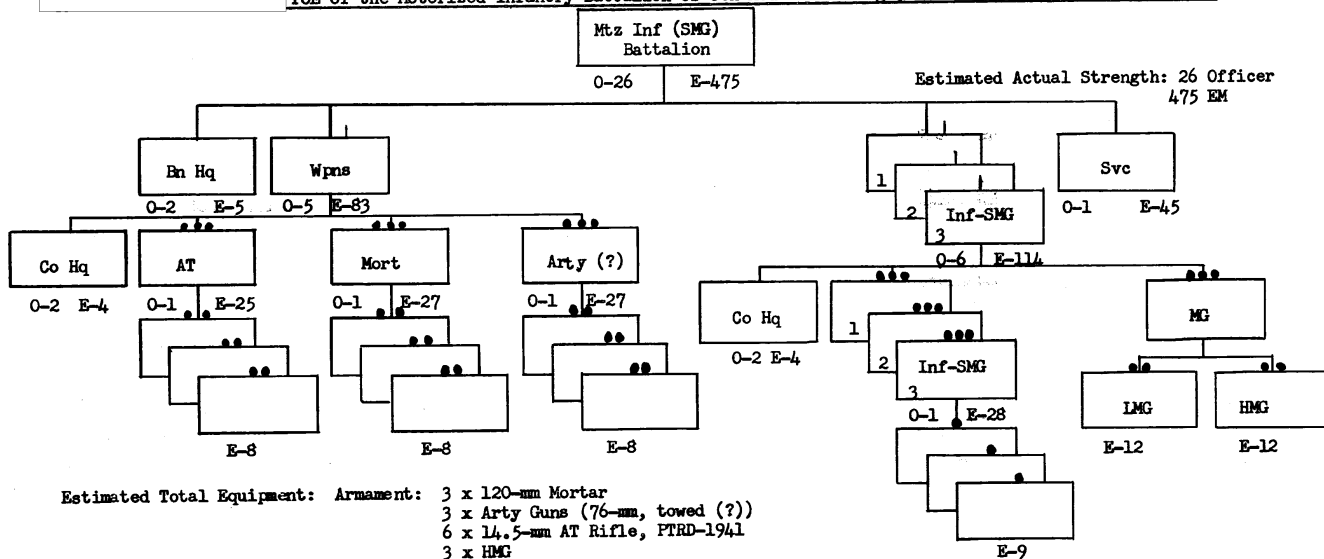
-31-

50X1-HUM

Annex D

TOE of the Motorized Infantry Battalion of 8th Med Med Tk Regt, 11th Arm Div - Actual Strength

50X1-HUM



Estimated Total Equipment: Armament: 3 x 120-mm Mortar
 3 x Arty Guns (76-mm, towed (?))
 6 x 14.5-mm AT Rifle, PTRD-1941
 3 x HMG
 6 x LMG
 501 x Pistol, Carbine or SMG

Transport: 2 x Truck, GAZ-69
 1 x Truck, 1½-ton, Dodge
 15 x Truck, Lublin and ZIS
 10 x Truck, Star-20

CONFIDENTIAL

50X1-HUM