

PROCESSING COPY

gfk

INFORMATION REPORT INFORMATION REPORT

CENTRAL INTELLIGENCE AGENCY

This material contains information affecting the National Defense of the United States within the meaning of the Espionage Laws, Title 18, U.S.C. Secs. 793 and 794, the transmission or revelation of which in any manner to an unauthorized person is prohibited by law.

SECRET

50X1-HUM

COUNTRY Romania

REPORT

SUBJECT Jamming Transmitters in Romania

DATE DISTR. 24 March 1958

NO. PAGES 2

REFERENCES RD

50X1-HUM

DATE OF INFO.
PLACE & DATE ACQ.

Reel # 895

SOURCE EVALUATIONS ARE DEFINITIVE. APPRAISAL OF CONTENT IS TENTATIVE.

50X1-HUM

1. Jamming transmitters are located throughout Romania in the following cities:

- a. Bucuresti
- b. O. Stalin
- c. Sibiu
- d. Eg. Mures
- e. Cluj
- f. Oradea
- g. Baia Mare
- h. Satu Mare
- i. Arad
- j. Dej
- k. Deva
- l. Timisoara
- m. Craiova
- n. Iurmu Severin
- o. Pitesti
- p. Floiesti
- q. Galati
- r. Constanta
- s. Focsani
- t. Roman
- u. Botosani
- v. Vatradoanei
- w. Giurgiu
- x. Iasi

Cities underlined have more than one jammer; Bucuresti, for example, has about 30 in total. Most of the transmitters are 250 watt, although some 100 watt jammers are in use.

SECRET

STATE	<input checked="" type="checkbox"/>	ARMY	<input checked="" type="checkbox"/>	NAVY	<input checked="" type="checkbox"/>	AIR	<input checked="" type="checkbox"/>	FBI	<input checked="" type="checkbox"/>	AEC	USIA	<input checked="" type="checkbox"/>
-------	-------------------------------------	------	-------------------------------------	------	-------------------------------------	-----	-------------------------------------	-----	-------------------------------------	-----	------	-------------------------------------

(Note: Washington distribution indicated by "X"; Field distribution by "#")

INFORMATION REPORT INFORMATION REPORT

S E C R E T

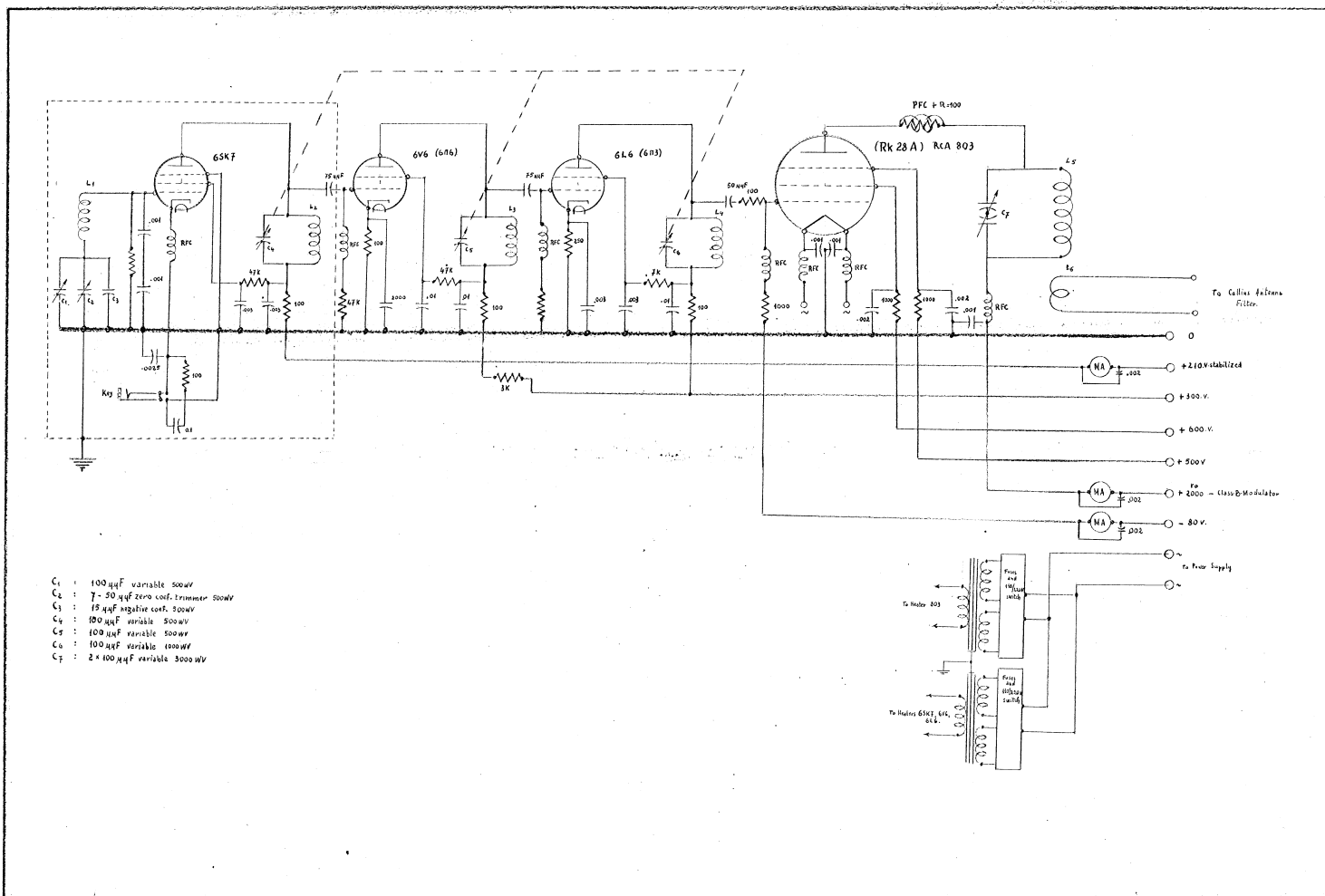
- 2 -

2. One of the transmitters in Bucuresti is located in Parcul Liberatii (formerly Parc Carol) in Turn Tepeș, on a hill. The center is fenced and guarded. The city itself is divided into districts, each with a center for monitoring Western transmissions in Romanian, Hungarian and German. These centers control the activities of the jammers under the general guidance of the Ministry of the Interior.
3. The Ministry of the Interior has a special department, called the Military Security Center, headed by Major (possibly Lt. Col.) Corneliu Columbovici, a strong communistic party member. His brother, Vintila Columbovici, is an inspector of jammer transmitters and is also a strong orientated communist and a party member. There is a technical division, located on Sos Panduri, where jammers are designed and constructed. This division is responsible to the Radio Direction Section of the Ministry of the Interior.
4. The jammer transmitters transmit a "v" signal, at intervals, which is believed to be a navigation aid for aircraft. Each transmitter is given a number (which was not known for any transmitter). There is a transmitter for each wave length, most of which operate in the 200-600 meter band, although there is coverage of the 25-52 meter band. Most home receivers (98%) can receive the 1000-2000 m. band, the 200-600 m. band, and the 25-52 m. band. The remaining 2% can receive the 16 and 19 meter band transmissions.
5. The jamming transmitters were designed by Ing. Paul Popescu-Malalesi, who works as the director of the research department of the "Co-operativa 30 Decembrie" in a building owned by him, at Carol Davila 89, Bucuresti. Popescu-Malalesi is considered the best electronics engineer in Rumania. The circuit diagram for a transmitter is shown in attachment 1. The noise is from a tape, and varies from 25 cycles to 150 cycles. The circuit shown uses a 6SK7 as a VFO; about 120 m. wavelength, 2 doublers using a 6V6 and a 6L6 and a RF amplifier using an 803 in the output. Modulation is obtained from push-pull 807's driven by a 6V6 GT. The circuit used is shown in attachment 2. Power supplies are shown in attachment 3. Conventional equipment, such as low or high voltage cutouts were not shown.

50X1-HUM

S E C R E T

SECRET



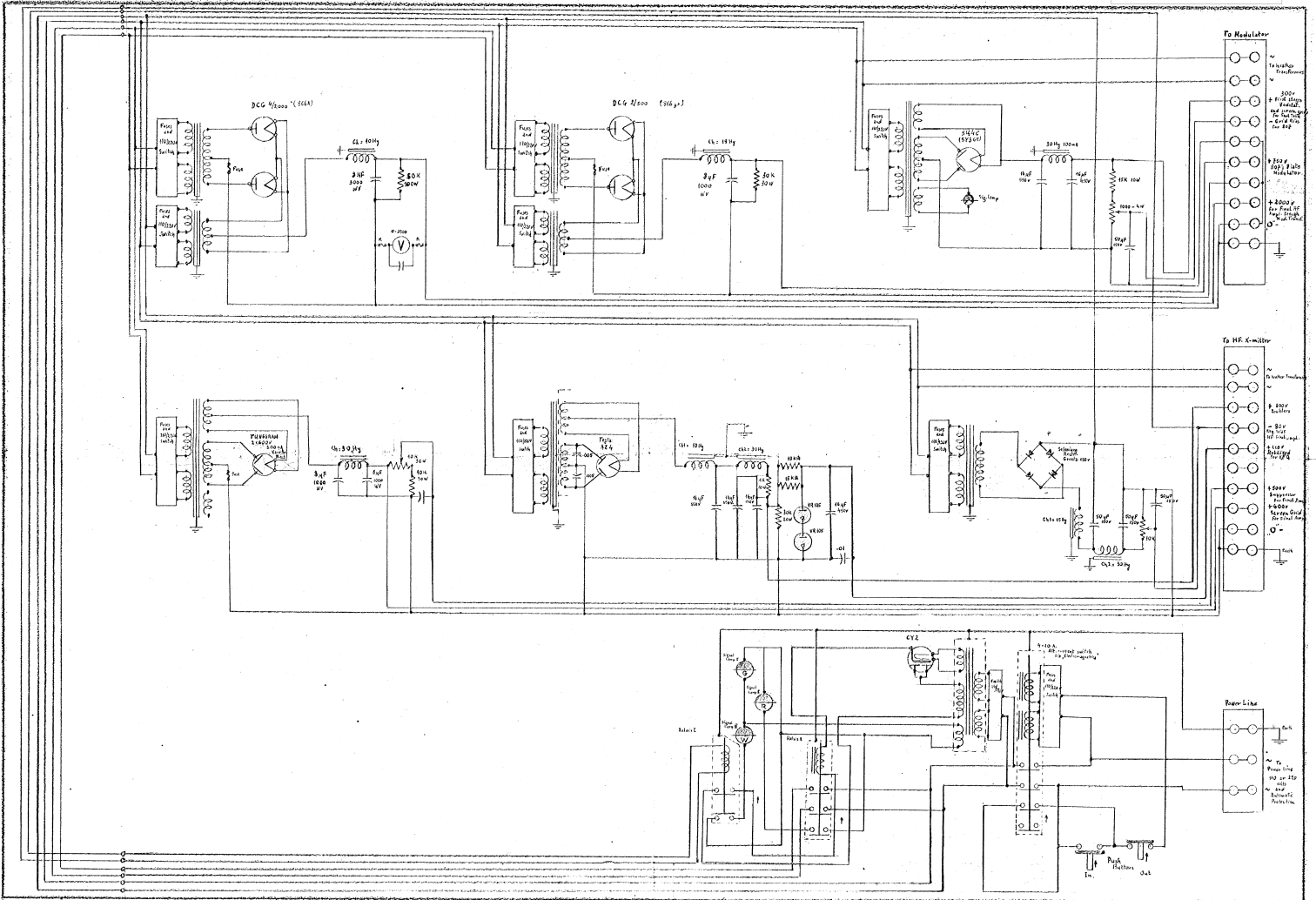
- C₁ : 100 µF variable 500V
- C₂ : 7 - 50 µF zero coef. trimmer 500V
- C₃ : 15 µF negative coef. 500V
- C₄ : 100 µF variable 500V
- C₅ : 100 µF variable 500V
- C₆ : 100 µF variable 1000V
- C₇ : 2 x 100 µF variable 5000V

SECRET

50X1-HUM

SECRET

50X1-HUM



SECRET