

OR

INFORMATION REPORT INFORMATION REPORT

CENTRAL INTELLIGENCE AGENCY

This material contains information affecting the National Defense of the United States within the meaning of the Espionage Laws, Title 18, U.S.C. Secs. 793 and 794, the transmission or revelation of which in any manner to an unauthorized person is prohibited by law.

C-O-N-F-I-D-E-N-T-I-A-L

25X1

COUNTRY China

REPORT

SUBJECT Catalog of Textile Machinery
Offered for Export by Communist
China

DATE DISTR. 2 June 1958

NO. PAGES 1

REFERENCES RD

DATE OF INFO.

PLACE & DATE ACQ.

PROCESSING COPY

25X1

25X1

SOURCE EVALUATIONS ARE DEFINITIVE. APPRAISAL OF CONTENT IS TENTATIVE

An illustrated catalog of textile machinery, in English, issued by the China National Transport Machinery Import Corporation, Erh-li-kou, Hsi-chao, Peiping,

25X1

Attachment, unclassified when detached from this report.

25X1

C-O-N-F-I-D-E-N-T-I-A-L

25X1

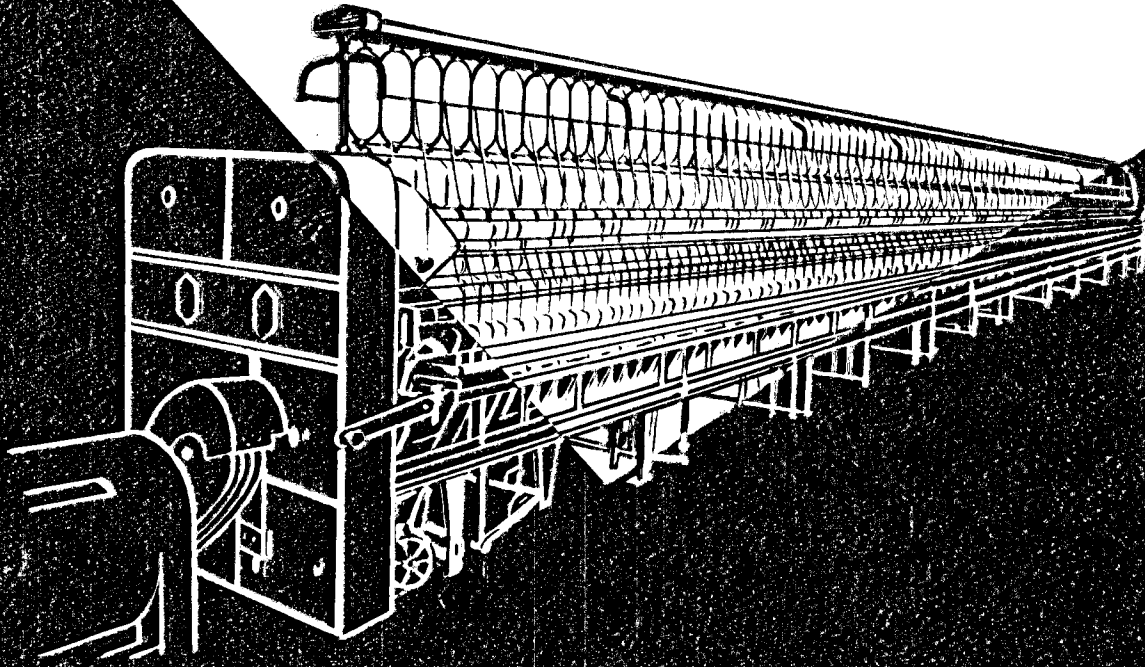
STATE	#x	ARMY	x	NAVY	x	AIR	x	FBI		AEC		BFC	x
(Note: Washington distribution indicated by "X"; Field distribution by "#")													

25X1

INFORMATION REPORT INFORMATION REPORT

紡織機械

TEXTILE MACHINERY



中國對外經貿總公司

CHINA NATIONAL TRANSPORT MACHINERY IMPORT CORPORATION

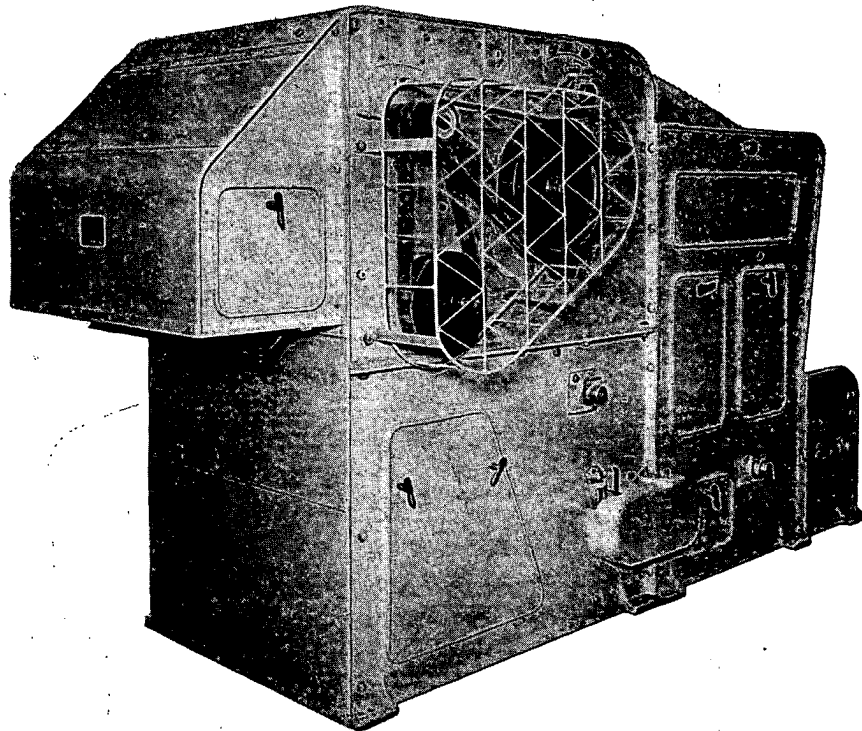
100013 BEIJING, CHINA

TELEPHONE: 63911000, 63911001, 63911002, 63911003, 63911004, 63911005, 63911006, 63911007, 63911008, 63911009, 63911010, 63911011, 63911012, 63911013, 63911014, 63911015, 63911016, 63911017, 63911018, 63911019, 63911020, 63911021, 63911022, 63911023, 63911024, 63911025, 63911026, 63911027, 63911028, 63911029, 63911030, 63911031, 63911032, 63911033, 63911034, 63911035, 63911036, 63911037, 63911038, 63911039, 63911040, 63911041, 63911042, 63911043, 63911044, 63911045, 63911046, 63911047, 63911048, 63911049, 63911050, 63911051, 63911052, 63911053, 63911054, 63911055, 63911056, 63911057, 63911058, 63911059, 63911060, 63911061, 63911062, 63911063, 63911064, 63911065, 63911066, 63911067, 63911068, 63911069, 63911070, 63911071, 63911072, 63911073, 63911074, 63911075, 63911076, 63911077, 63911078, 63911079, 63911080, 63911081, 63911082, 63911083, 63911084, 63911085, 63911086, 63911087, 63911088, 63911089, 63911090, 63911091, 63911092, 63911093, 63911094, 63911095, 63911096, 63911097, 63911098, 63911099, 63911100

1011 型 混 棉 給 棉 機

BLENDING HOPPER FEEDER

TYPE 1011



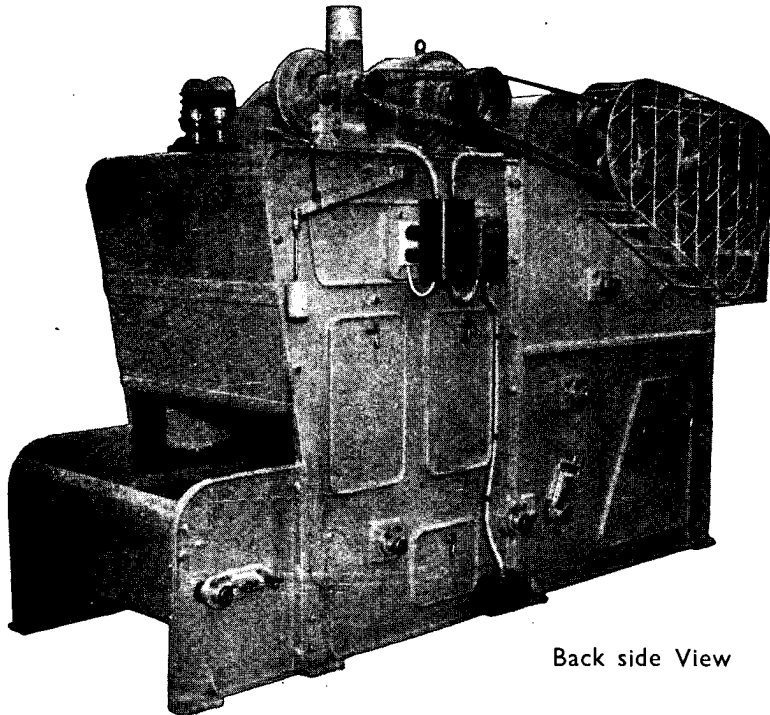
Front side View

SPECIFICATION:

1. Max. output 320 kg/hour
2. Working width 920 mm
3. Overall dimension L. 3190 × W. 1440 × H. 2048 mm
4. Diameter of Stripping Roller ... 385 mm
5. Number of Leather flaps of stripping roller 4
6. Speed of Stripping Roller 425 rpm
7. Centre distance of upright spiked lattice 1364 mm

CHINA NATIONAL TRANSPORT MACHINERY IMPORT CORPORATION

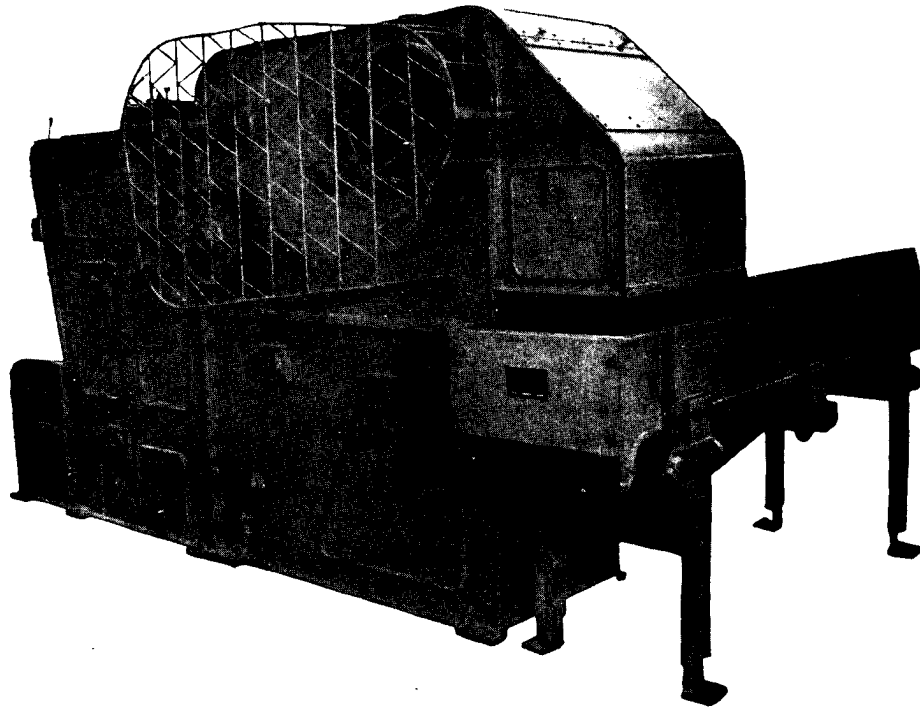
8. Angle of inclination of upright spiked lattice 21° 41'
9. Speed of upright spiked lattice ... (a) 11.7 meters/min.
(b) 29.5 meters/min.
10. Diameter of Evener Roller 260 mm
11. Number of rows of teeth of Evener Roller 6
12. Speed of Evener Roller 310 rpm
13. Distance between upright spiked lattice and stripping roller 0-16 mm
14. Distance between upright spiked Lattice and Evener Roller 0-37 mm
15. Dimension of Dust Fan $\phi 208$ mm \times width 40 mm
16. Speed of Dust Fan 2000 rpm



Back side View

N.B.—For improvement of the machine, we reserve the right to alter either the design or the specification.

1012A 型 回 花 給 棉 機
WASTE HOPPER FEEDER
TYPE 1012A

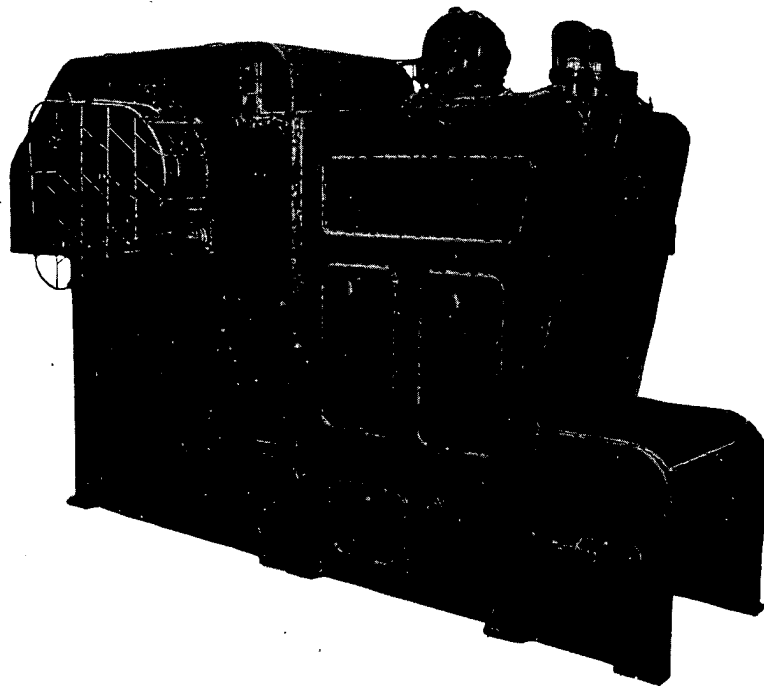


Front View

SPECIFICATION:

1. Maximum output 80 kg/hour
2. Working width 610 mm
3. Overall dimension L. 3190 × W. 1130 × H. 1887 mm
4. Diameter of stripping roller ... 385 mm
5. Number of leather flaps of stripping roller 4
6. Speed of stripping roller 210 rpm
7. Centre distance of upright spiked lattice 1364 mm

8. Angle of inclination of upright
spiked lattice 21° 41'
9. Speed of upright spiked lattice... 7.9 metres/min. 14.7 metres/min.
10. Length of Evener Rake... .. 300 mm
11. Oscillation of Evener Rake 110 times per min.
12. Distance between upright spiked
lattice and stripping roller 0—22 mm
13. Distance between upright spiked
lattice and evener rake... .. 0—30 mm

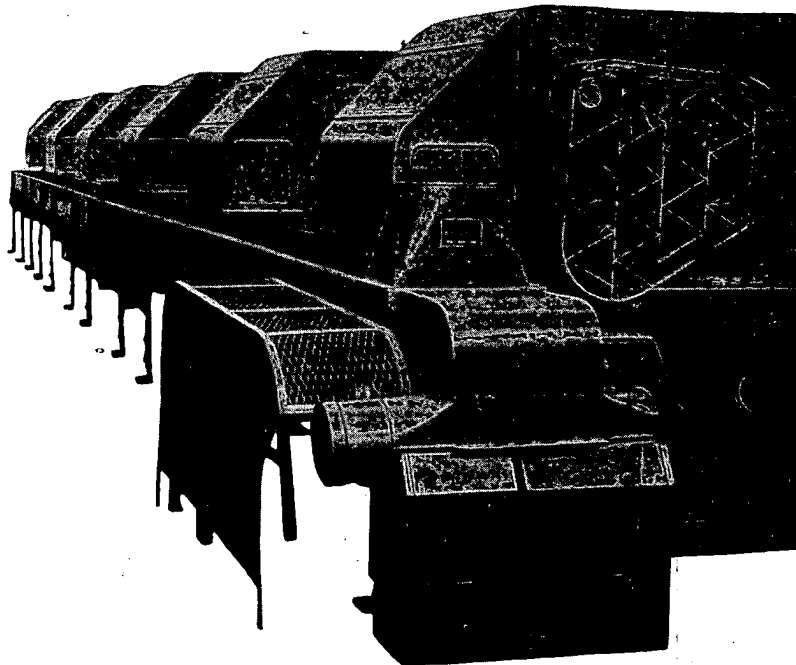


Back View

N.B.—For improvement of the machine, we reserve the right to alter either the design or the specification.

CHINA NATIONAL TRANSPORT MACHINERY IMPORT CORPORATION

1021 型 高 速 给 棉 簾 子
HIGH SPEED FEED LATTICE
TYPE 1021



SPECIFICATION:

1. Working width 420 mm
2. Overall dimension Length 4432 + 1200 M + 1800 H. mm
Width 1037 mm
Height 933 to 1013 mm
3. Length of feed lattice 1200 M + 1800 H + 3290 mm
4. Speed of feed lattice 67 meters/min.

NOTE: M=number of frames of 1200 mm in length
H=number of frames of 1800 mm in length

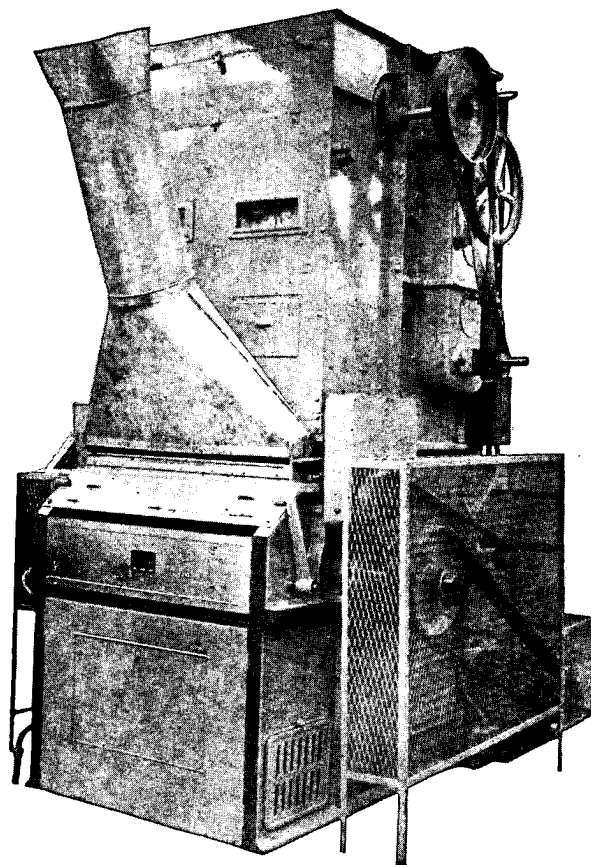
N.B.—For improvement of the machine, we reserve the right to alter either the design or the specification.

CHINA NATIONAL TRANSPORT MACHINERY IMPORT CORPORATION

1031 型豪猪式開棉機

PORCUPINE OPENER

TYPE 1031



SPECIFICATION:

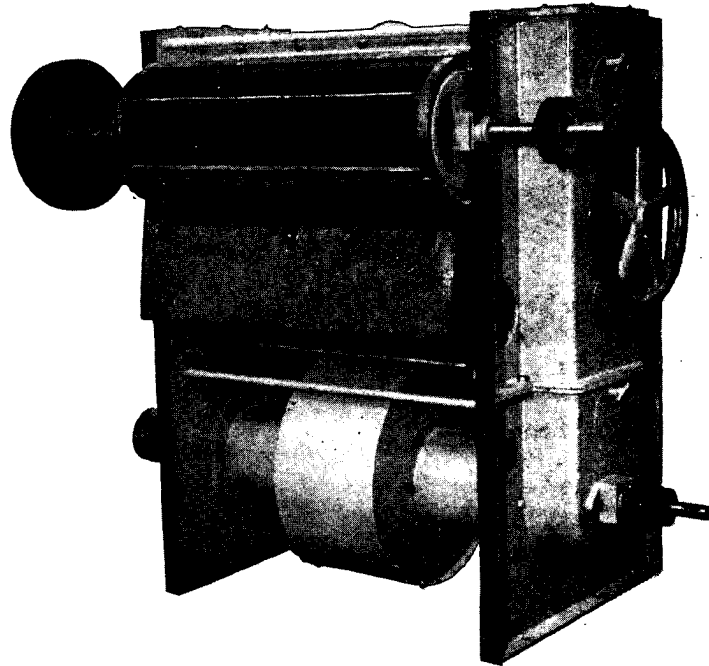
1. Maximum output 800 kg/hour
2. Working width 1000 mm
3. Overall dimension L. 2200 (including motor) × W.2000 ×
H. 2965 mm
4. Diameter of beater 610 mm
(18 discs, 12 knives each disc)
5. Speed of beater 600, 650, 700 rpm
6. Diameter of feed roller 76 mm
7. Speed of feed roller 20, 25, 30, 35, 40 rpm
8. Number of grid bars 79 pcs.
9. Number of adjustable sections of
grid bars right and left hands total 16 pcs.
10. Gauge between grid bar and beater top 10-14 mm
back 11.5-15.5 mm
bottom 13-17 mm
delivery 14.5-18.5 mm
11. Gauge between grid bars 4-7 mm
12. Overall dimension of reserve filling
trunk L. 1015 × W. 1010 × H. 535-670 mm
(adjustable)

N.B.—For improvement of the machine, we reserve the right to alter either the design or the specification.

1041 型 1041A 型 高 速 塵 籠

HIGH SPEED DUST CAGE

TYPE 1041 and 1041A

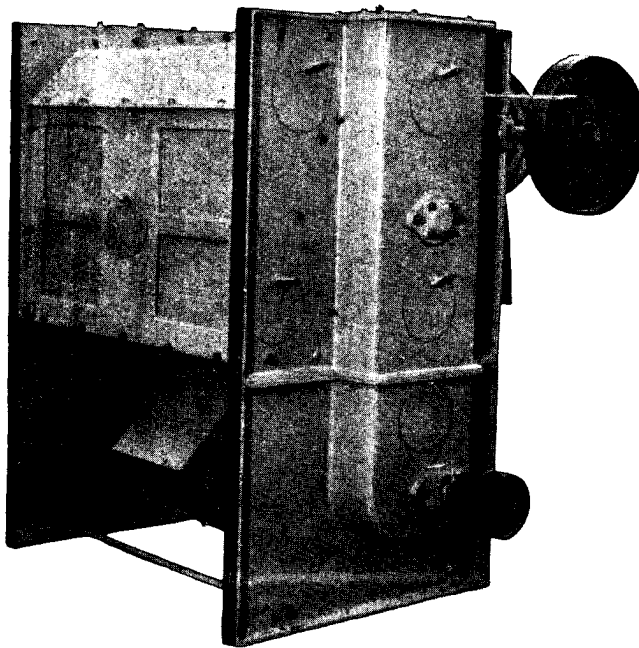


Front View

SPECIFICATION:

1. Maximum output 800 kg/hour
2. Working width 1000 mm
3. Overall dimension for type 1041 ... L. 1134 × W. 1912 × H. 1600 mm
4. Overall dimension for type 1041A
without fan L. 1134 × W. 1712 × H. 940 mm
5. Diameter of Dust Cage 560 mm

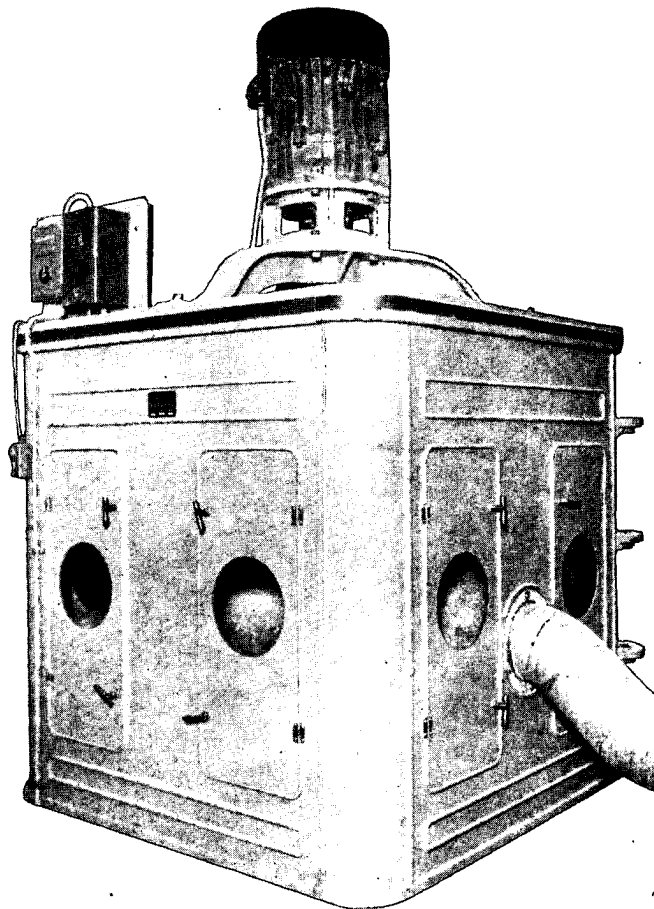
6. Speed of Dust Cage 100 rpm
7. Diameter of Stripping Roller 360 mm
8. Speed of Stripping Roller 330 rpm
9. Diameter of fan 550 mm
10. Speed of fan (upon request) ... 1050; 1200; 1300; 1400; 1500 rpm



Back View

N.B.—For improvement of the machine, we reserve the right to alter either the design or the specification.

1051A型 立式開棉機
CRIGHTON OPENER TYPE 1051A

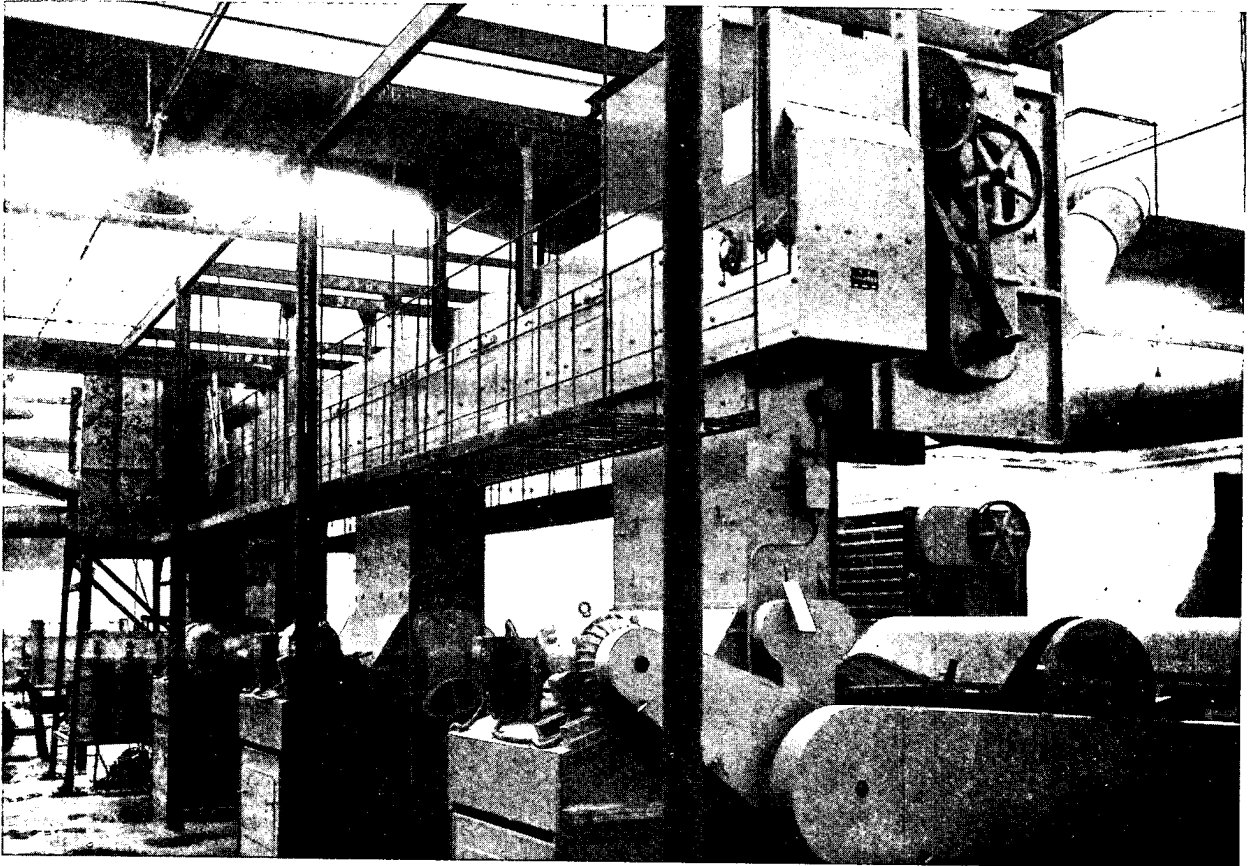


SPECIFICATION:

1. Maximum output	800 kg/hour
2. Overall dimension	L. 1870 × W. 1570 × H. 2015 mm
3. Number of beater discs	6 pcs.
4. Total number of knives carried on discs.	34 pcs.
5. Speed of beater	580; 725 rpm
6. Number of grid bars	120 pcs.
7. Gauge between grid bars	3-6.5 mm
8. Internal diameter of Feed Pipe	230 mm
9. Internal diameter of Delivery Pipe	320 mm

N.B.—For improvement of the machine, we reserve the right to alter either the design or the specification.

1061型及1061A型配棉器
DISTRIBUTING MACHINE
TYPE 1061 and 1061A

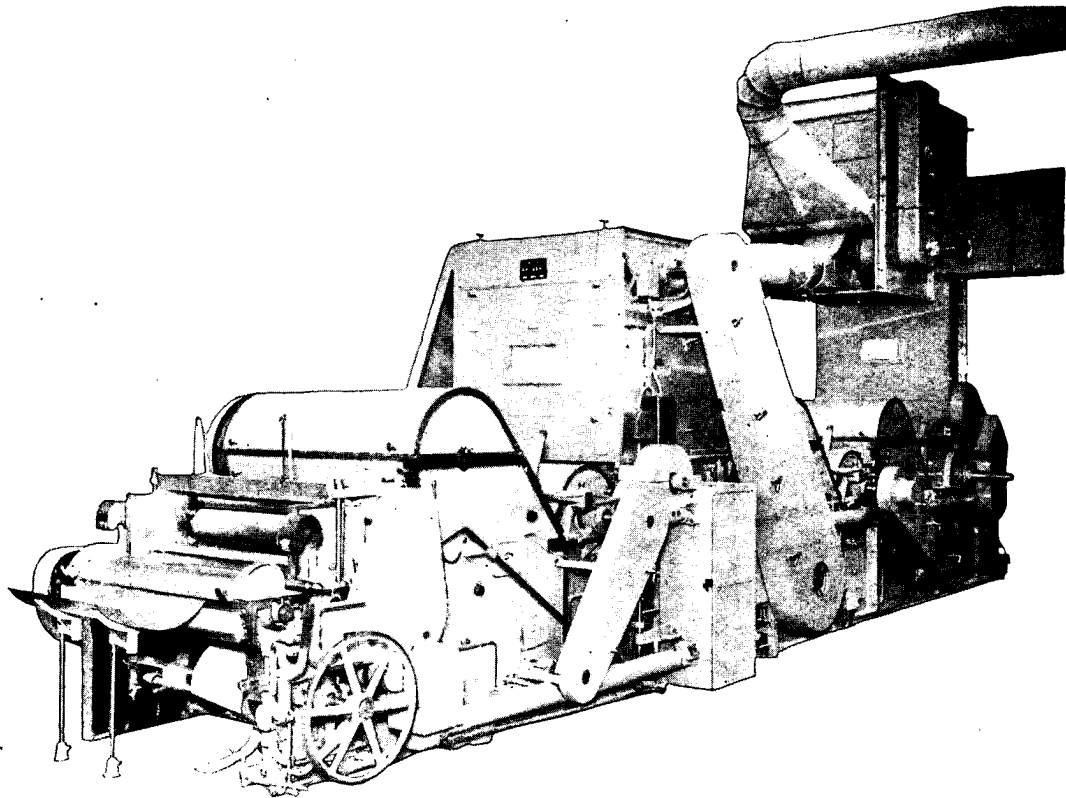


SPECIFICATION:

- | | | | | |
|------------------------------------------------|-----|-----|-----|---------------------------------------------------------------------------------------------------------------------------------------------------------|
| 1. Maximum output | ... | ... | ... | 800 kg/hour |
| 2. Working width | ... | ... | ... | 555 mm |
| 3. Overall dimension | ... | ... | ... | Length = center distance between first and last delivery openings + 4025 mm
Width — 935 mm
Height — 3906 mm
Height — 3615 mm (for type 1061A). |
| 4. Distance between adjacent delivery openings | ... | ... | ... | 3,000-4,000 mm (to the nearest 100 mm) |
| 5. Speed of Rake Lattice | ... | ... | ... | 43 meters/min. |

N.B.—For improvement of the machine, we reserve the right to alter either the design or the specification.

1071 型 1071A 型 單程清棉機
DOUBLE BEATER SCUTCHER
TYPE 1071 and 1071A



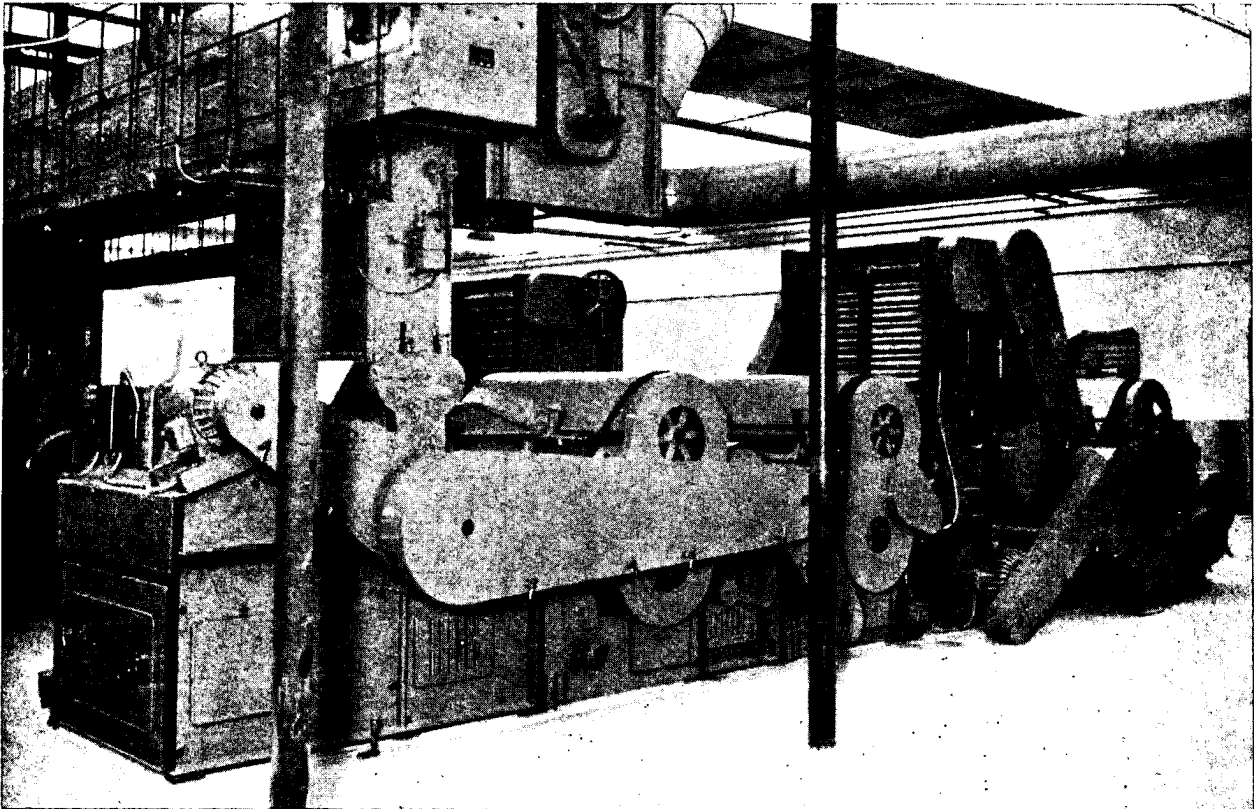
Front View

CHINA NATIONAL TRADING COMPANY BEIJING

SPECIFICATION:

1. Max. output 180 kg/hour
2. Calculated length of lap 35.21—43.35 metres
3. Working width Type 1071: 1016 mm
Type 1071A: 960 mm
4. Overall dimension L. 8713 × W. 2130 × H. 2515 mm
5. Reserve filling trunk
(over Porcupine Beater)
 - Height 985 mm
 - Breadth 1060 mm
 - Thickness 310—410 mm
6. Reserve filling trunk
(over combing beater)
 - Height 600 mm
 - Breadth 1060 mm
 - Thickness 275—350 mm
7. Diameter of Porcupine Beater ... 610 mm
(19 discs—12 knives each disc)
8. Speed of Porcupine Beater 470—600 rpm
9. Diameter of Three Bladed Beater 406 mm
10. Speed of Three Bladed Beater ... 800—1200 rpm
11. Diameter of Combing Beater ... 406 mm
12. Speed of Combing Beater 800—1200 rpm
13. Diameter of Striker Roller 350 mm
14. Speed of Striker Roller 260 rpm
15. Dimension of fan ϕ 455 mm × 430 mm
16. Speed of Fan 900—1200 rpm
17. Diameter of Dust cage 558 mm
18. Diameter of Lap Roller 230 mm
19. Speed of Lap Roller 8—12 rpm
20. Gauge between Porcupine Beater
and Grid Bars Top 10—14 mm
Back 11.5—15.5 mm
Bottom 13—17 mm
Delivery 14.5—18.5 mm

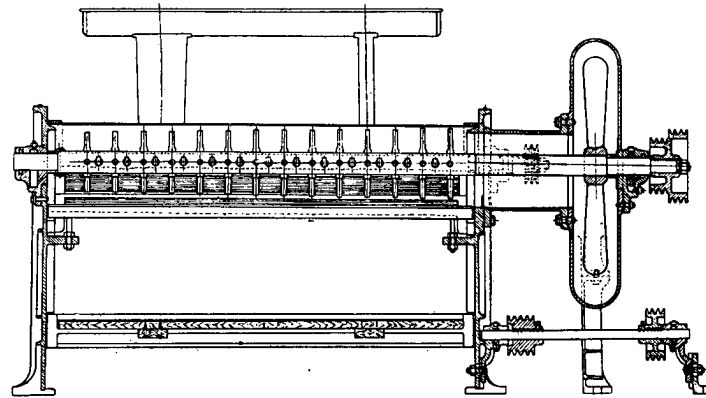
21. Gauge of grid Bars of Porcupine Beater 4—7 mm
22. Gauge between Grid Bar and Three Bladed Beater and also combing beater minimum at feed side 7 mm
minimum at delivery side 19 mm
23. Gauge of Grid Bars of Three Bladed Beater and Combing Beater ... 3—7.5 mm



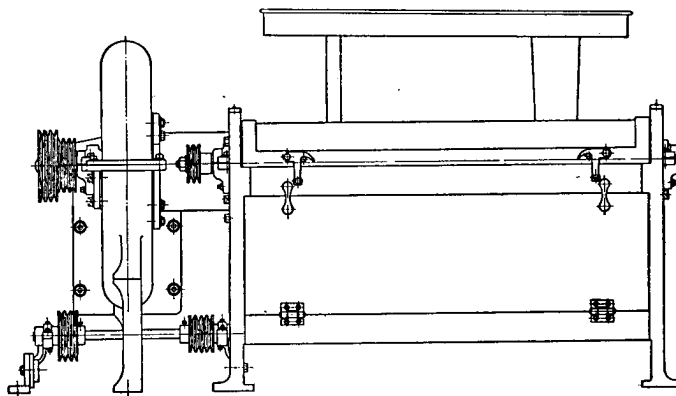
Back View

N.B.—For improvement of the machine, we reserve the right to alter either the design or the specification.

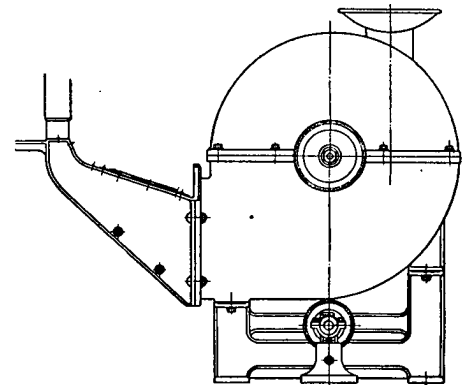
1111型皮鞣花機
 THREAD EXTRACTOR TYPE 1111



Section View



Front View



Side View

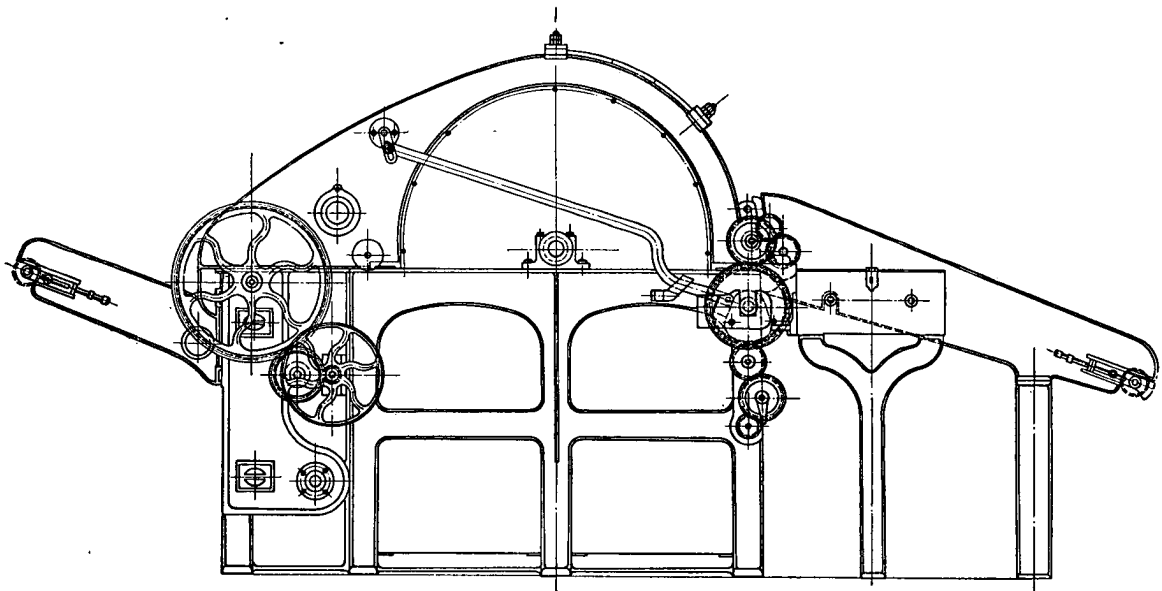
SPECIFICATION:

- | | | | | |
|------------------------------------------------|-----|-----|-----|-------------------------------------------------------------------------------------|
| 1. Working width | ... | ... | ... | 43" |
| 2. Overall dimension | ... | ... | ... | W. $47\frac{1}{8}$ " × L. $71\frac{1}{16}$ " (without motor) × H. $40\frac{3}{4}$ " |
| 3. Diameter of beater | ... | ... | ... | Max. $7\frac{1}{4}$ " min. $6\frac{23}{64}$ " |
| 4. Rows of beater | ... | ... | ... | 3 |
| 5. Number of cross arms fitted on beater-shaft | ... | ... | ... | 27 per beater (per row) |
| 6. Speed of beater | ... | ... | ... | 1100 rpm |
| 7. Dimension of fan | ... | ... | ... | $22\frac{7}{8}$ " dia. × $2\frac{5}{8}$ " |
| 8. Speed of fan | ... | ... | ... | 1000 rpm |
| 9. Drive | ... | ... | ... | by individual electric motor with V-belts |

N.B.—For improvement of the machine, we reserve the right to alter either the design or the specification.

1121 型 打 垃圾 機

WILLOW TYPE 1121



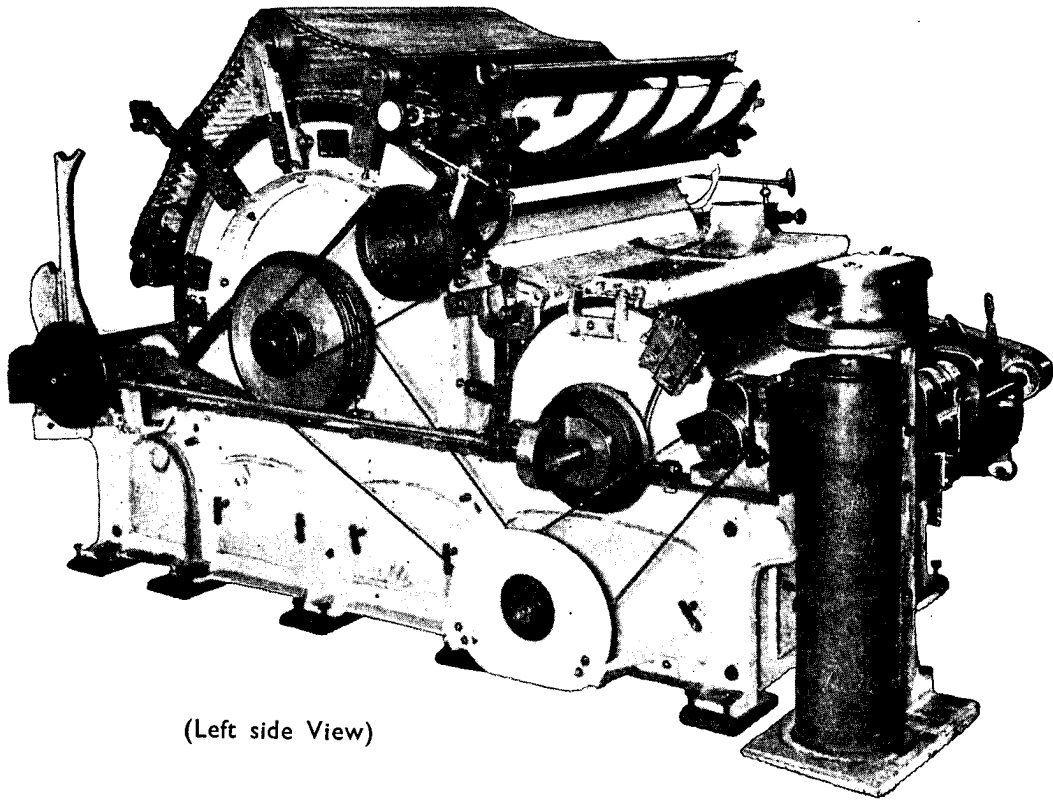
SPECIFICATION:

1. Working width 65"
2. Overall dimension L. $168\frac{5}{16}$ " \times W. $82\frac{7}{8}$ " (without motor) \times H. $157\frac{1}{8}$ "
3. Speed of feed lattice 31 ft./min.
4. Diameter of Cylinder 51"
5. Speed of Cylinder 330 rpm
6. Dimension of fan 15" dia. \times $10\frac{5}{8}$ "
7. Speed of fan 1237 rpm
8. Diameter of dust cage 15"
9. Speed of dust cage 8 rpm
10. Speed of delivery lattice 25.1 ft./min.
11. Drive by individual electric motor with V-belts

N.B.—For improvement of the machine, we reserve the right to alter either the design or the specification.

1181 型 梳 棉 機

REVOLVING FLAT CARDING ENGINE TYPE 1181

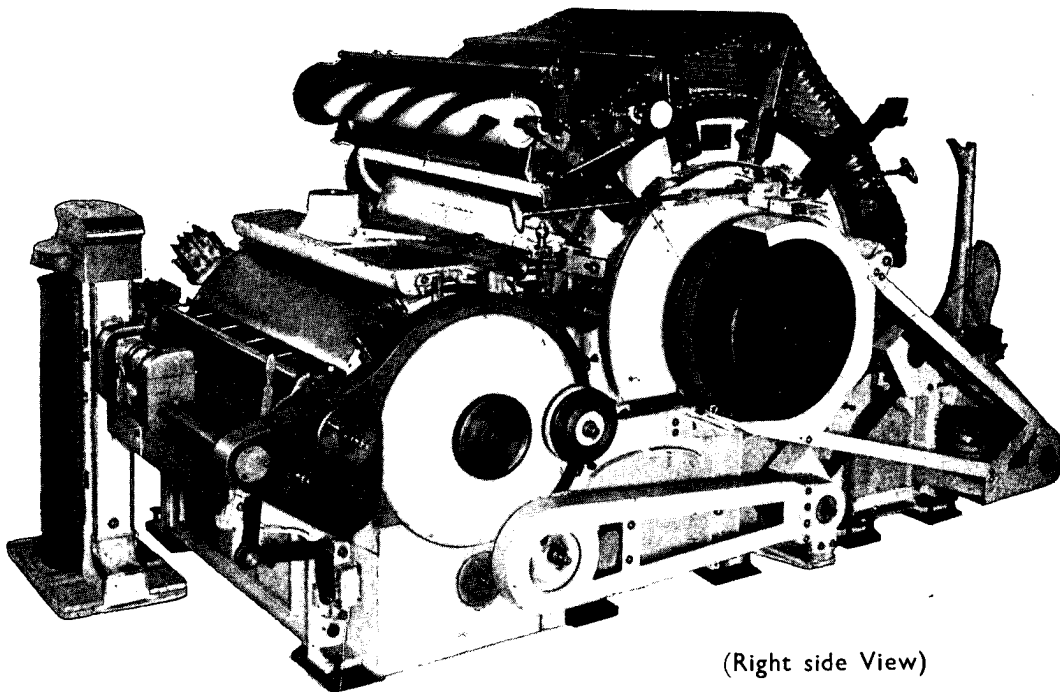


(Left side View)

SPECIFICATION:

1. Type R. hand (facing doffer, find driving pulley at right hand side)
2. Working width of machine 40"
3. Draft range 93-129 times
4. Floor space 67" × 130½"
5. Drive Individual motor, with flat belt
6. Diameter of Lap roller 6"
7. Diameter of feed-roller 2½"
8. Diameter of Licker-in 9½"

9. Licker-in grooves 8 grooves per inch and 8 starts at end
10. Licker-in speed 550 rpm
11. Mote knife 1 piece
12. Diameter of cylinder 50"
13. Speed of cylinder 172 rpm
14. Number of flats 106 pcs.
15. Number of working flats 41 pcs.
16. Flat speed 2" per minute
17. Diameter of doffer 27"
18. Doffer speed 8.3-12 rpm
19. System of stripping Hand stripping (type 1181B) Low vacuum stripping (type 1181C)



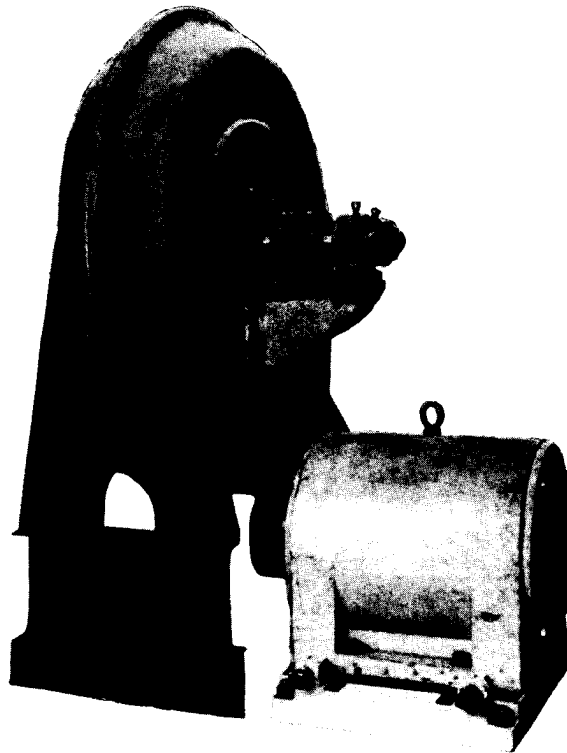
N.B.—For improvement of the machine, we reserve the right to alter either the design or the specification.

梳棉機附屬機器

AUXILIARY MACHINES FOR CARDING ENGINE

7201 型 排氣風扇

(I) EXHAUST FAN TYPE 7201



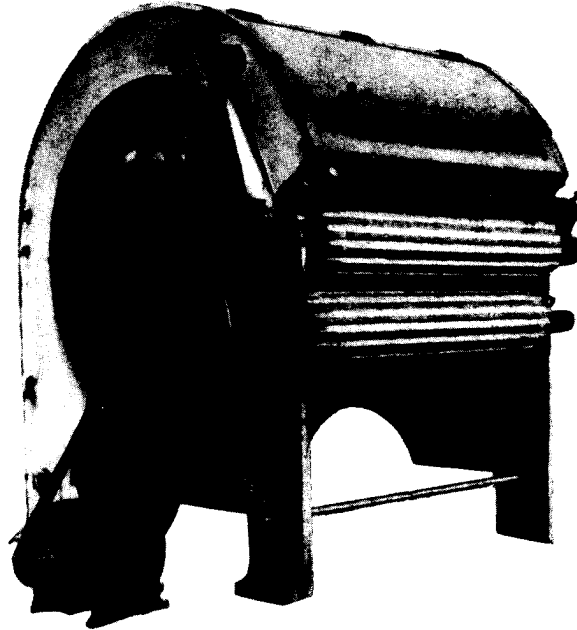
SPECIFICATION:

1. Capacity
2. Static pressure
3. Dimension L. 48" × W. 35 $\frac{3}{4}$ " × H. 49 $\frac{3}{8}$ "
4. Diameter of fan propeller 26"
5. Width of fan propeller blade 8 $\frac{3}{8}$ "
6. Speed of fan propeller 1700 rpm to 2000 rpm
7. Drive By electric motor 14 KW. 1440 rpm (5 pcs. V-belt B55).

N.B.—For improvement of the machine, we reserve the right to alter either the design or the specification.

1042 型 集 棉 塵 籠

(II) CONDENSER TYPE 1042



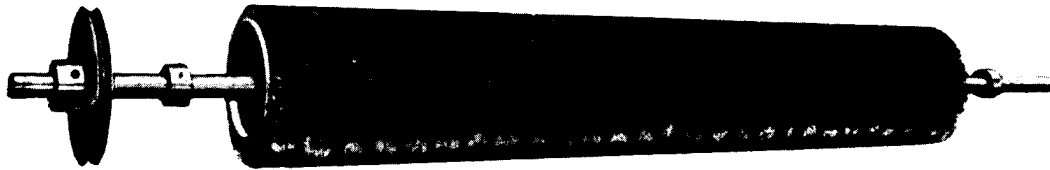
SPECIFICATION:

1. Working width of condenser ... 32"
2. Diameter of Cage 25 $\frac{3}{4}$ "
3. Cage speed... .. 2.9 rpm
4. Drive Individual drive totally enclosed squirrel cage motor, 480 rpm, 4 pcs. A 51 V-belts
5. Overall dimension 62" \times 48 $\frac{3}{4}$ " \times 49 $\frac{1}{2}$ "

N.B.—For improvement of the machine, we reserve the right to alter either the design or the specification.

1651 型 抄 鋼 絲 輥

(III) STRIPPING ROLLER TYPE 1651



(A) Application:

To strip off the cotton dust from cylinder and doffer card clothing (when this roller is covered with burnishing fillet then it becomes a burnishing roller).

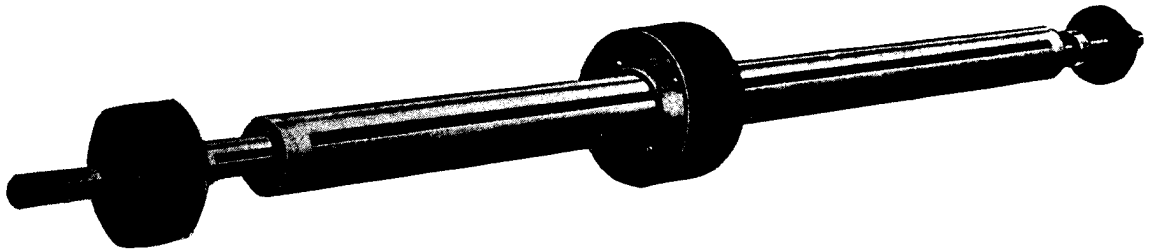
(B) Specification:

1. Suitable for card width 40"
2. Diameter of Roller $5\frac{1}{2}$ " (without fillet)
3. Length of Roller $41\frac{1}{2}$ "
4. Diameter of shaft $1\frac{1}{8}$ "
5. Length of shaft $71\frac{1}{2}$ "
6. Drive By cylinder rope pulley or stripping attachment
7. Pitch diameter of rope pulley ... 6"
8. Speed 465 rpm

N.B.—For improvement of the machine, we reserve the right to alter either the design or the specification.

1671 型 來 回 磨 輓

(IV) TRAVERSE WHEEL GRINDER TYPE 1671



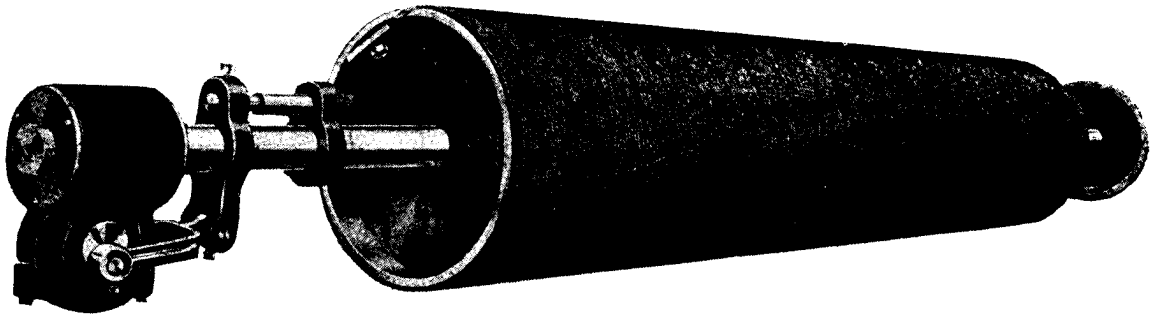
Specification:

1. Suitable for card width 40"
2. Diameter of Wheel $6\frac{1}{6}$ " (without emery fillet)
3. Thickness of Wheel $3\frac{1}{2}$ "
4. Diameter of shaft $1\frac{1}{8}$ "
5. Length of shaft 67"
6. Traverse distance $42\frac{1}{6}$ "
7. Drive By cylinder rope pulley
8. Pitch diameter of rope pulley ... $4\frac{1}{2}$ " & 5" each one piece
9. Speed 500—550 rpm
10. Traverse motion By reversible leading screw & internal gear speed reducer.

N.B.—For improvement of the machine, we reserve the right to alter either the design or the specification.

1681 型 長 磨 輓

(V) FULL GRINDING ROLLER TYPE 1681



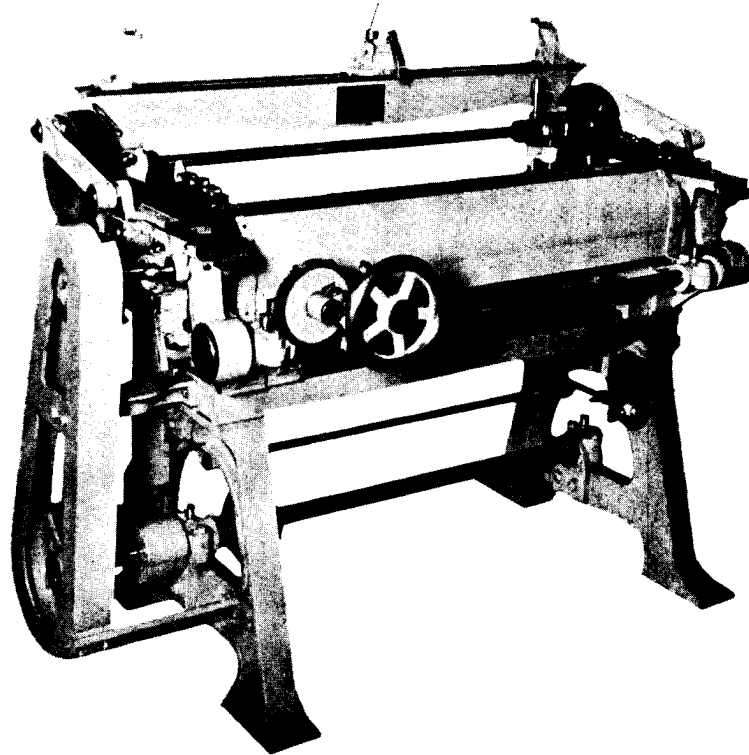
Specification:

1. Suitable for card width 40"
2. Diameter of Roller $6\frac{3}{16}$ " (without emery fillet)
3. Length of Roller on barrel 41"
4. Diameter of shaft $1\frac{1}{8}$ "
5. Total length of shaft 65"
6. Traverse motion by eccentric wheel.
7. Traverse distance $\frac{5}{8}$ "
8. Drive By cylinder rope pulley
9. Pitch diameter of rope pulley ... 6"
10. Speed 510 rpm

N.B.—For improvement of the machine, we reserve the right to alter either the design or the specification.

1691 型 磨 蓋 板 針 布 機

(VI) FLAT SURFACE GRINDING MACHINE TYPE 1691



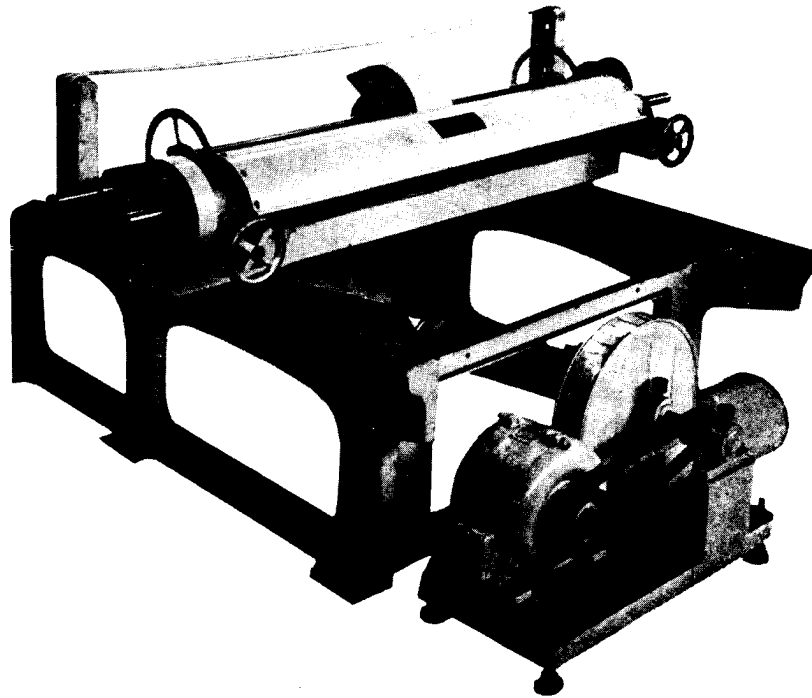
Specification:

1. Suitable for card width 40"
2. Flat end to end tolerance 0.035"
3. Number of flat to be ground each time 3 pcs.
4. Overall dimension L. $66\frac{1}{8}$ " \times W. $34\frac{5}{16}$ " \times H. $47\frac{1}{2}$ "
5. Drive By individual motor
6. Pitch diameter of driving belt pulley $5\frac{9}{16}$ "
7. Speed of main shaft 600 rpm
8. Diameter of Grinding roller $7\frac{7}{8}$ " (bare roller)
9. Length of grinding roller 42"
10. Grinding traverse motion by eccentric wheel
11. Traverse distance of grinding roller $\frac{5}{8}$ "
12. Speed 1200 rpm
13. Stop motion automatically stops when grinding is completed
14. Inspecting apparatus... .. Indicator for indication of needle height

N.B.—For improvement of the machine, we reserve the right to alter either the design or the specification.

1701 型 磨 錫 林 道 夫 滾 筒 機

(VII) CYLINDER AND DOFFER GRINDING MACHINE TYPE 1701



SPECIFICATION:

A. Grinding parts

1. Suitable for card width ... 40"
2. Overall dimension ... L. $72\frac{1}{2}$ " \times W. $18\frac{7}{8}$ " \times H. 15"
3. Speed of grinding wheel 500 rpm
4. Traverse distance of grinding wheel ... $42\frac{1}{8}$ "
5. Drive ... By cylinder through flat belt

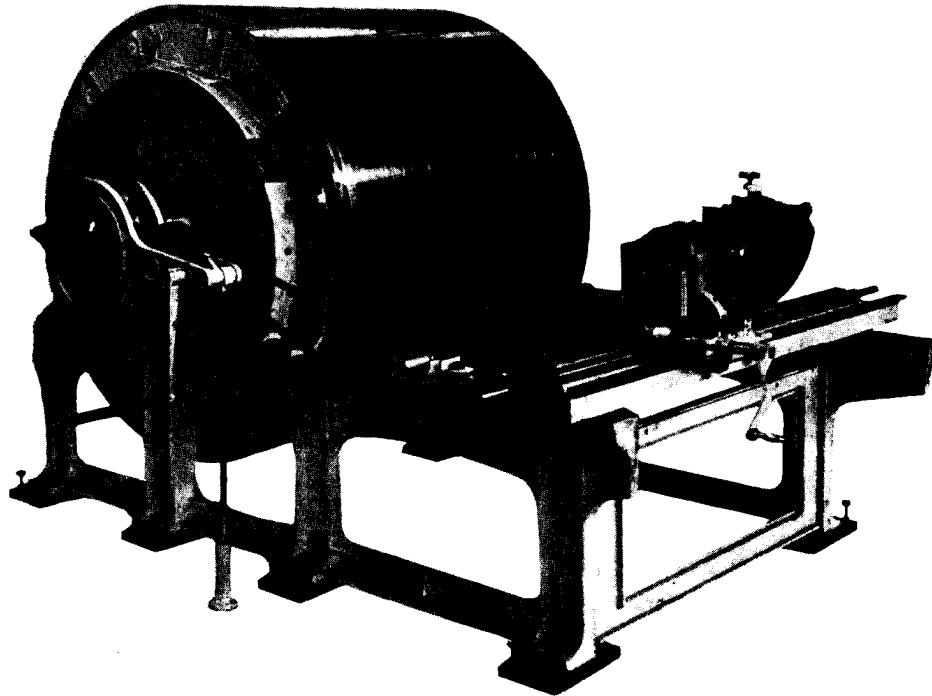
B. Dust extraction Unit

1. Vent inlet ... 3 " \times $1\frac{3}{8}$ " traverse with grinding wheel
2. Diameter of extraction pipe 4"
3. Diameter of fan ... 13"
4. Width of fan blade ... $1\frac{3}{4}$ "
5. Dust condenser ... 8 " \times 11 " inside lined with 5 layers of steel screens.
6. Fan driven by individual motor
7. Fan speed ... 1830 rpm

N.B.—For improvement of the machine, we reserve the right to alter either the design or the specification.

1711 型 包 錫 林 道 夫 針 布 機

(VIII) CARD MOUNTING MACHINE TYPE 1711



SPECIFICATION:

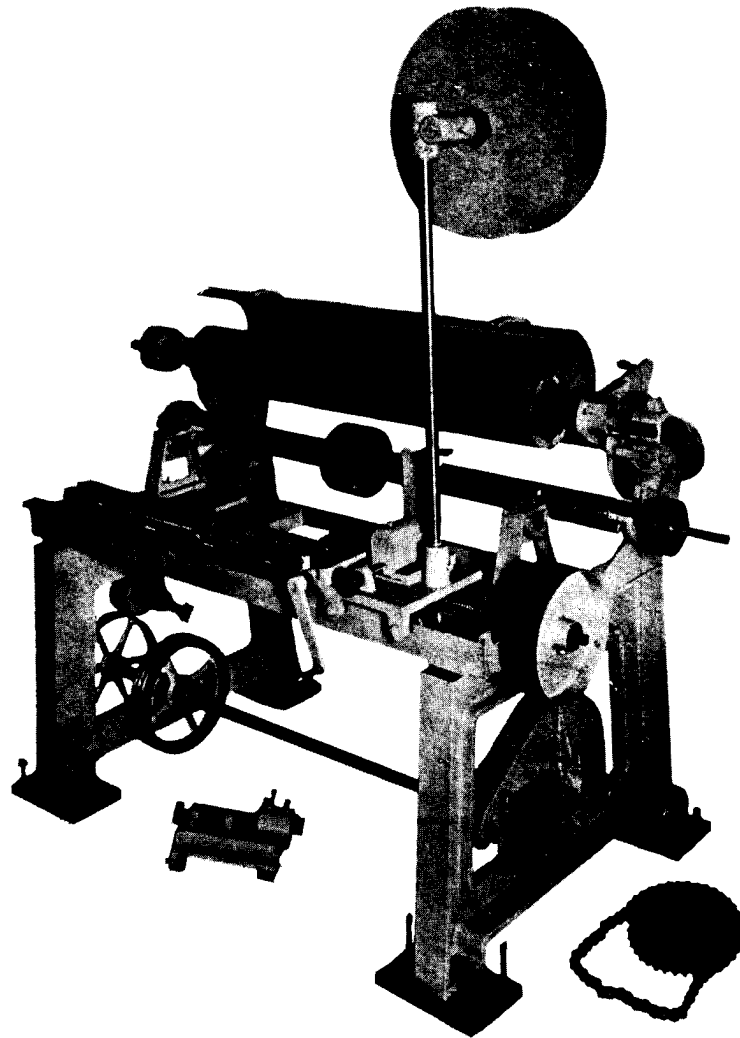
1. Suitable for card width 40"
2. Overall dimension L. $83\frac{3}{4}$ " (total length)
W. $19\frac{1}{2}$ " (Tensile section)
H. $19\frac{1}{2}$ " (Tensile section)
3. Diameter of leading screw $1\frac{1}{2}$ "
4. Length of leading screw 67"
5. Thread pitch of leading screw $\frac{1}{4}$ " (i. e. 4 threads per inch)
6. Maximum tensile strength 500 lbs.
7. Drive Hand operating
8. Length of table $56\frac{3}{4}$ "

N.B.—For improvement of the machine, we reserve the right to alter either the design or the specification.

1731型刺鞞包磨機

(IX) LICKER-IN ROLLER, GRINDING, DRESSING,
RECOVERING AND BURNISHING MACHINE

TYPE 1731



SPECIFICATION:

1. Suitable for card width 40"
2. Overall dimension L. $65\frac{3}{16}$ " × W. $41\frac{1}{2}$ " × H. $56\frac{1}{16}$ "
3. Pitch diameter of belt pulley ... $11\frac{1}{16}$ "
4. Speed of main shaft 300 rpm
5. Speed of Licker-in Roller (Burnish-
ing and grinding) 32.8 rpm
6. Speed of Licker-in Roller (mount-
ing and straightening) 8.2 rpm
7. Diameter of Traverse grinding
Roller $6\frac{3}{16}$ " (Bare Roller)
8. Traverse distance $42\frac{3}{16}$ "
9. Speed of Traverse grinding Roller 695 rpm
10. Diameter of Burnishing Roller ... $6\frac{1}{2}$ " (Bare Roller)
11. Traverse distance of Burnishing
Roller $\frac{5}{8}$ "
12. Speed of Burnishing Roller 695 rpm
13. Straightener With 8 blades (angles to be self-adjustable)
14. Table length of Licker-in wire
mounting attachment 54"
15. Diameter of leading screw $1\frac{1}{2}$ "
16. Thread pitch of leading screw ... $\frac{1}{4}$ " (i. e. 4 threads per inch)

N.B.—For improvement of the machine, we reserve the right to alter either the design or the specification.

1722 型 包 蓋 板 針 布 機
FLAT CLIPPING MACHINE TYPE 1722

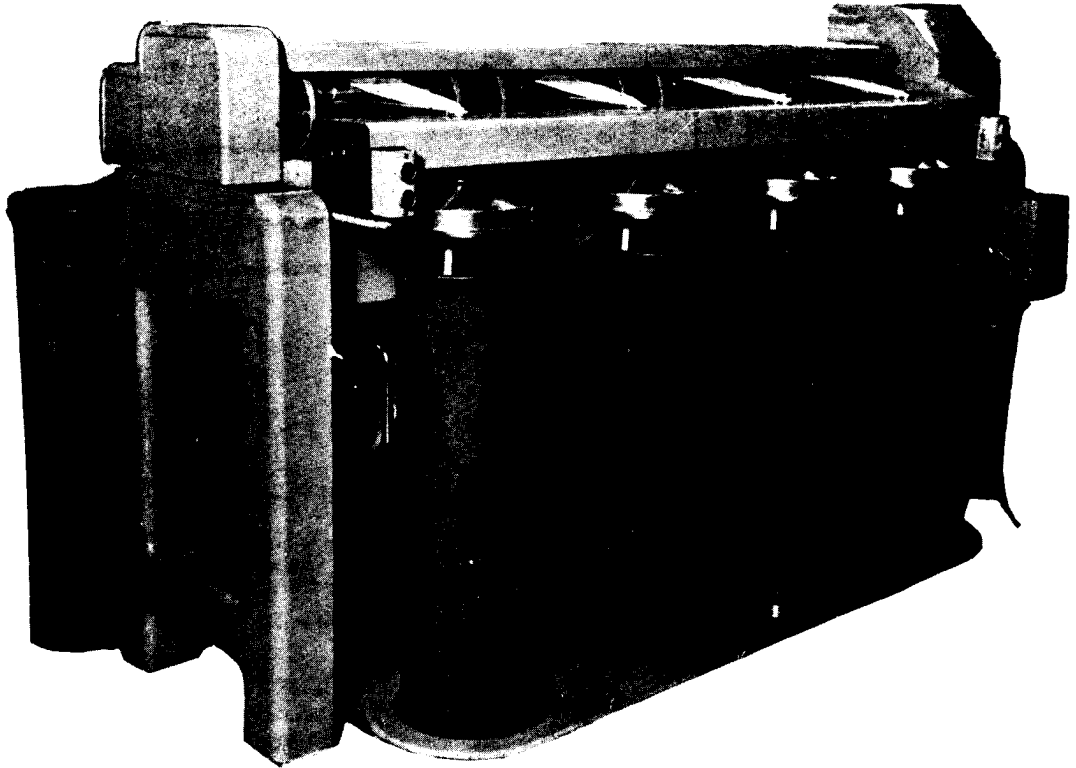
SPECIFICATION :

1. Suitable for card width	40"
2. Number of pieces clipped in one operation	1 piece
3. Overall dimension	L. 2025 × W. 1290 × H. 1450
4. Drive	By individual motor
5. Clamping operation	Hand operated
6. Drive of traversing head	Mechanically operated with friction clutch and automatic stop motion
7. Pitch diameter of main stop pulley	440 mm.
8. Speed of main shaft	207 rpm.
9. Width of pressure blade	127 mm.
10. Number of pressure blades	16 pcs. on both sides
11. Source of pressure on pressure blades	By weight with buffer spring
12. Weight	9 kg. each
13. Number of weights	32 on both sides (2 for each pressure blade)

N.B.—For improvement of the machine, we reserve the right to alter either the design or the specification.

DRAWING FRAME

TYPE 1242

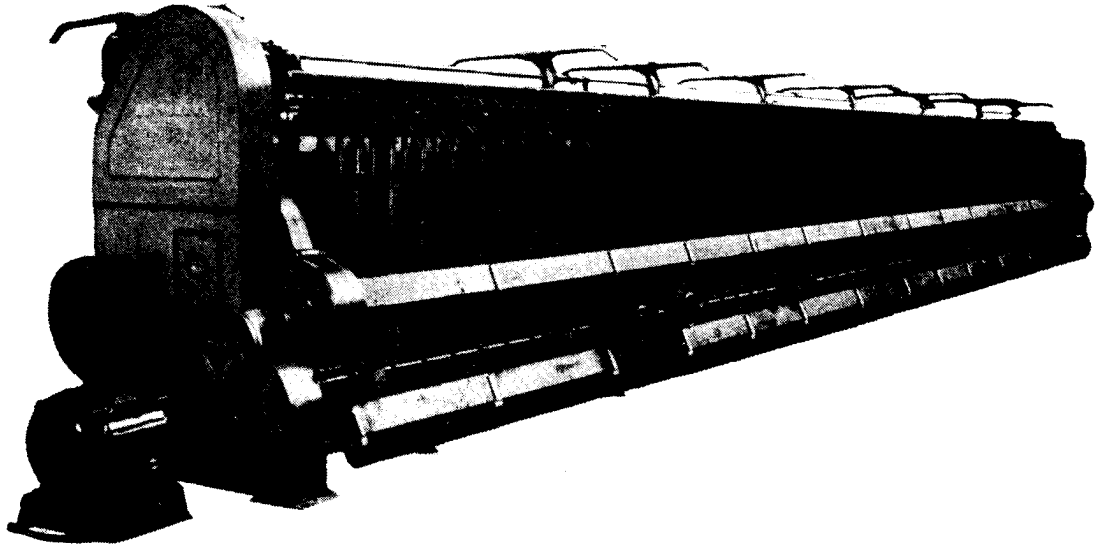


SPECIFICATION:

1. Number of deliveries	3 or 4
2. Staff	450 mm
3. Slivers per delivery	6
4. Roller diameter	Type 1242A: 35—28—35—35 mm Type 1242B: 28—25—28—28 mm
5. Speed of front roller	298—381 rpm
6. Draft	5.5—6.346 times
7. Drive	individual motor, front roller driven by flat belt 3/4 h.p., 960 rpm
8. Control	by push button switch
9. Automatic stop motion...	electric system
10. Sliver can	254 × 914 mm
11. Floor space (including sliver cans)	3 deliveries, 1,850 × 1,625 mm 4 deliveries, 2,300 × 1,625 mm

N.B.—For improvement of the machine, we reserve the right to alter either the design or the specification.

1251型單程二道粗紗機
SIMPLEX INTERMEDIATE FLY FRAME
TYPE 1251A

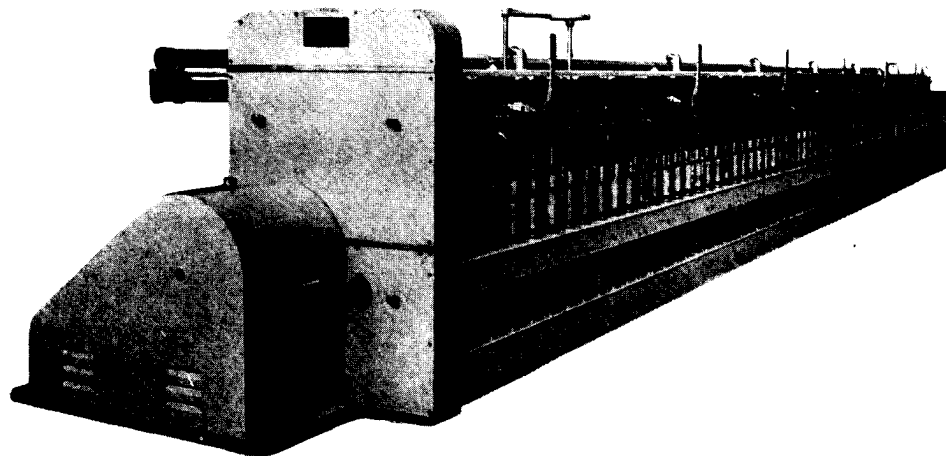


SPECIFICATION:

1. Number of spindles per frame	...	124, 130 spindles
2. Spindle gauge	...	6.6"
3. Number of spindles per box	...	6
4. Counts of roving spun	...	2-4 counts (metric counts)
5. Size of full bobbin	...	$\phi 4\frac{7}{8}'' \times 10''$
6. Spindle speed	...	600, 670, 700, 725, 750 rpm
7. System of draft	...	Graduated draft
8. Roller diameter	...	$1\frac{3}{16}''$, $\frac{7}{8}''$, $1\frac{1}{16}''$, $1\frac{1}{16}''$
9. Diameter of bare top roller	...	$\frac{3}{16}''$
10. Draft	...	7.5-10 times
11. Drive	...	Individual motor, 4 H.P., 960 rpm. with V-belts
12. Height of roller beam	...	42"
13. Size of sliver can	...	10" \times 36"
14. Floor space	...	130 spindles: 39' 6" \times 5' 7 $\frac{1}{4}$ " 124 spindles: 37' 10" \times 5' 7 $\frac{1}{4}$ "

N.B.—For improvement of the machine, we reserve the right to alter either the design or the specification.

1252型(1252A型) 單程三道粗紗機
HIGH DRAFT ROVING FRAME
TYPE 1252 (1252A)



SPECIFICATION:

1.	Number of spindles per frame	...	144
2.	Spindle gauge	...	152 mm
3.	Number of spindles per box	...	6
4.	Suitable for cotton staple	...	24-34 mm
5.	Counts of roving spun	...	4.5-10 counts
6.	Size of full bobbin	...	$\phi 92$ mm \times 198 mm
7.	Spindle speed	...	950, 1000, 1050, 1100, 1150, 1200 rpm
8.	Drafting arrangement	...	Five roller 2-zone drafting system, (for type 1252A, four roller 2-zone)
9.	Roller diameter	...	28, 22, 25, 25, 28 mm (for type 1252A, 32, 28, 32, 32 mm)
10.	Diameter of Bare Top Roller	...	22 mm (For type 1252A, 25 mm)
11.	Draft	...	11-30 times
12.	Sliver rollers	...	two rows of sliver rollers, with telescopic adjustment.
13.	Drive	...	Individual motor, 5 H.P., 960 rpm. with V-belts
14.	Height of roller beam	...	900 mm
15.	Size of sliver can	...	254 mm \times 914 mm
16.	Floor space (incl. sliver cans)	...	1914 \times 12083 mm
17.	Type	...	Left or right hand

N.B.—For improvement of the machine, we reserve the right to alter either the design or the specification.

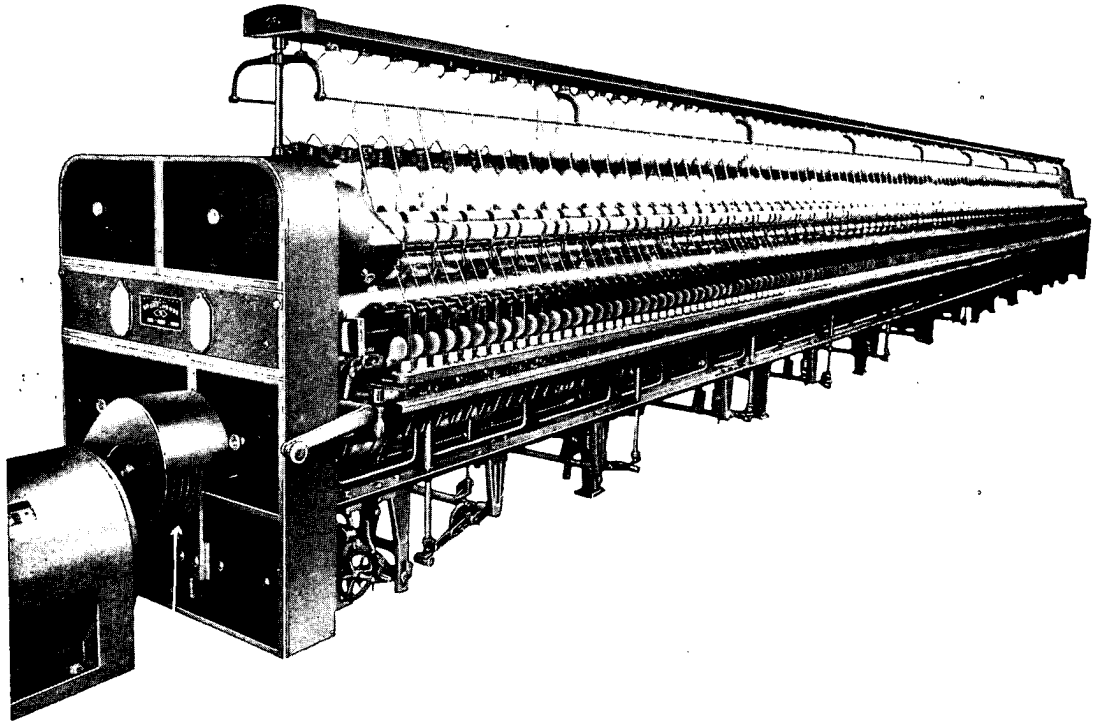
1291型 經 紗 機 及 1301型 緯 紗 機

WARP SPINNING FRAME

TYPE 1291

WEFT SPINNING FRAME

TYPE 1301



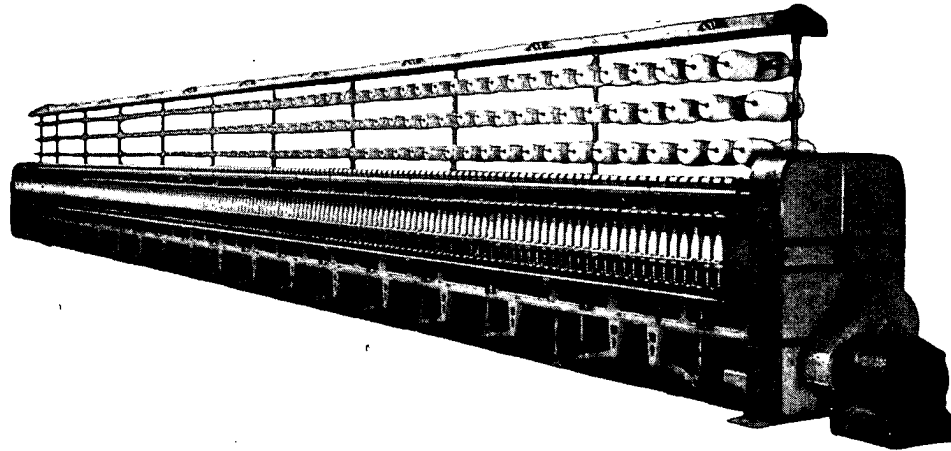
SPECIFICATION:

1. Number of spindles 400 spindles for warp frame
420 spindles for weft frame
2. Spindle gauge $2\frac{5}{8}$ " for warp frame
 $2\frac{1}{2}$ " for weft frame
3. Number of spindles per box 8 spindles (6 spindles per last 3 boxes for
weft frame)
4. Counts of yarn spun 20-42 (English system)
34-71 (metric system)
5. Spindle speed 10000-13000
6. Drafting arrangement double apron high drafting system, 14-20
times
7. Roller diameter $\frac{7}{8}$ "
8. Lift 6"
9. Ring diameter $1\frac{1}{2}$ ", $1\frac{5}{8}$ " for warp
 $1\frac{3}{8}$ " for weft
10. Broken thread aspirator Suction fan driven by tin roller, air exhausted
through main duct
11. Drive by individual pipe ventilated motor, 8/12
H.P., 960/1440 rpm with V-belts
12. Floor space 49'1" \times 3'3"

*N.B.—For improvement of the machine, we reserve the
right to alter either the design or the specification.*

1391 型 撚 線 機

TWISTING FRAME TYPE 1391



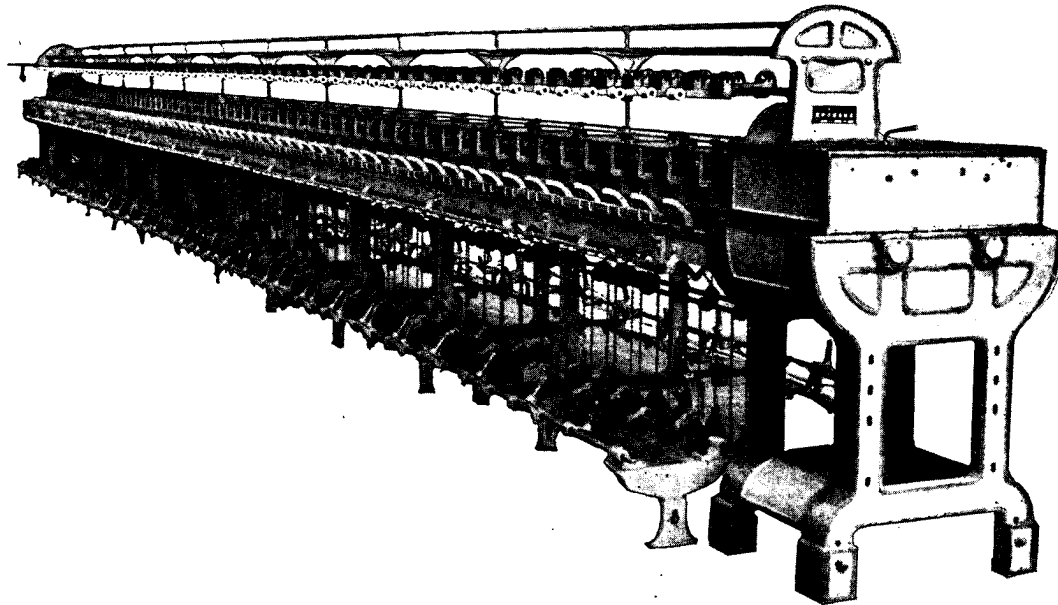
SPECIFICATION:

1. Number of spindles	380, 360, 340, 320, 300
2. Spindle gauge	75 mm
3. Number of spindles per staff	8
4. Dry or wet twisting	wet twisting
5. Twist counts	54 ^s /2, 71 ^s /2
6. Lift	180 mm
7. Traverse	semi-cylindrical winding 125 mm cop-winding 55 mm
8. Building speed ratio	semi-cylindrical winding 1:1 cop-winding 3:1
9. Spindle speed	7270-8470 rpm
10. Spindle wharve diameter	25 mm
11. Tin roller diameter	254 mm
12. Type of ring	flat, inner dia. 50 mm
13. Roller diameter	45 mm
14. Type of creel	triple diagonal, flat cone, maximum dia. 160 mm
15. Drive	individual motor, 10 h.p., 1440 rpm, with V-belts.
16. Height from floor to roller beam	865 mm
17. Total height	1640 mm
18. Width of frame	826 mm

N.B.—For improvement of the machine, we reserve the right to alter either the design or the specification.

1382 型 併 紗 機

DOUBLING WINDER TYPE 1382

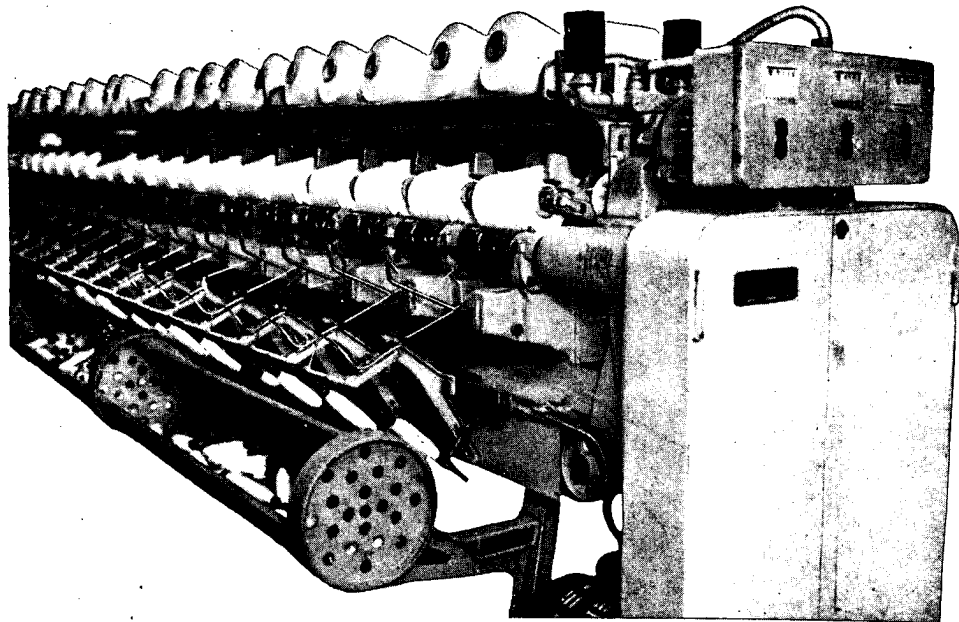


I. Specification :—

1. Type	Quick traverse motion
2. Number of drums per machine ...	120 140 160
3. Number of ends	2
4. Surface speed of drums	120 metres/min. (402 rpm.)
5. Distance between drums' centres	177.8 mm.
6. Size of drums	ϕ 95.2 mm \times L. 139.7 mm
7. Size of cheese	ϕ 165 mm \times L. 130 mm
8. Shape of bobbin	Straight type
9. Drive	Drum shaft driven by individual motor and V-belts
10. Builder	One on each side, traverse 130.2 mm., driven by drum shafts through differential gears.
11. Pitch diameter of drum shaft pulley	ϕ 342.9 mm
12. Automatic stop motion... ..	Drop needle type, individual brake motion for each drum. Speed of guide roller shaft 190 rpm.
13. Cone bobbin peg	Two for each bobbin, and with adjustable creel.
14. Machine height	(a) up to drum centre line 981 mm. (b) total height 1435 mm.

N.B.—For improvement of the machine, we reserve the right to alter either the design or the specification.

1332型槽筒式絡筒機
HIGH-SPEED CONE WINDER
TYPE 1332

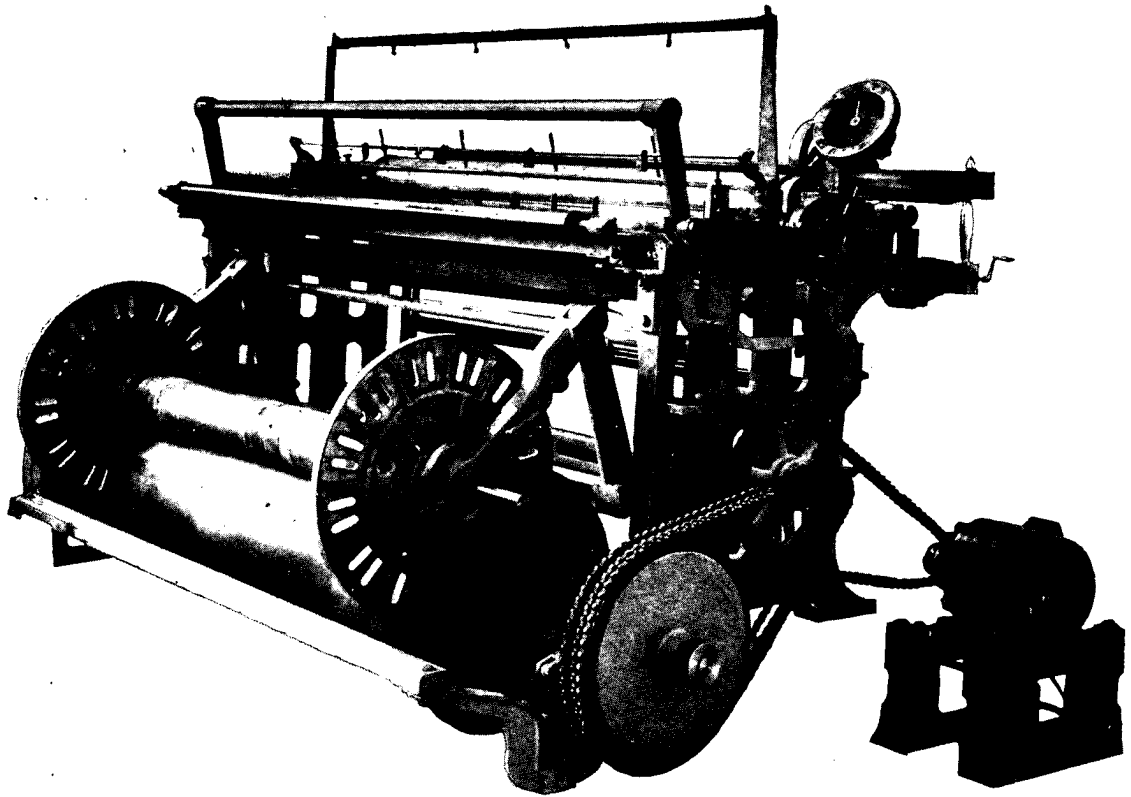


SPECIFICATION:

1. Type... .. Grooved drum type
2. Number of spindles per machine 60, 80, 100 or 120 (The standard type is of 100 spindles. The following notes, if not indicated clearly, refer to the 100-spindle type)
3. Winding gauge 152 mm
4. Drum diameter 76.5 mm
Speed of drum 3,010 rpm (max. speed)
Material of drum Made of bakelite. Type A (for winding cotton yarn only)
5. Winding Speed 690 meters/min. (max. speed)
6. Size of full package Cone Bobbin: Inclination angle, 6°
Base of cone 200 mm ϕ , 152 mm long
(largest base of cone may reach 220 mm ϕ)
7. Drive Drums on each side are driven by an individual motor with V-belts (i.e. by main drive motor). Controlling mechanism is driven by an individual motor and gears (i.e. by Pilot Motor)
8. Bobbin holder For yarn bobbins of Warp Spinning Frame Type 1291 or thread bobbins of Twisting Frame Type 1391.

N.B.—For improvement of the machine, we reserve the right to alter either the design or the specification.

1452 型 整 經 機
WARPING MACHINE
TYPE 1452



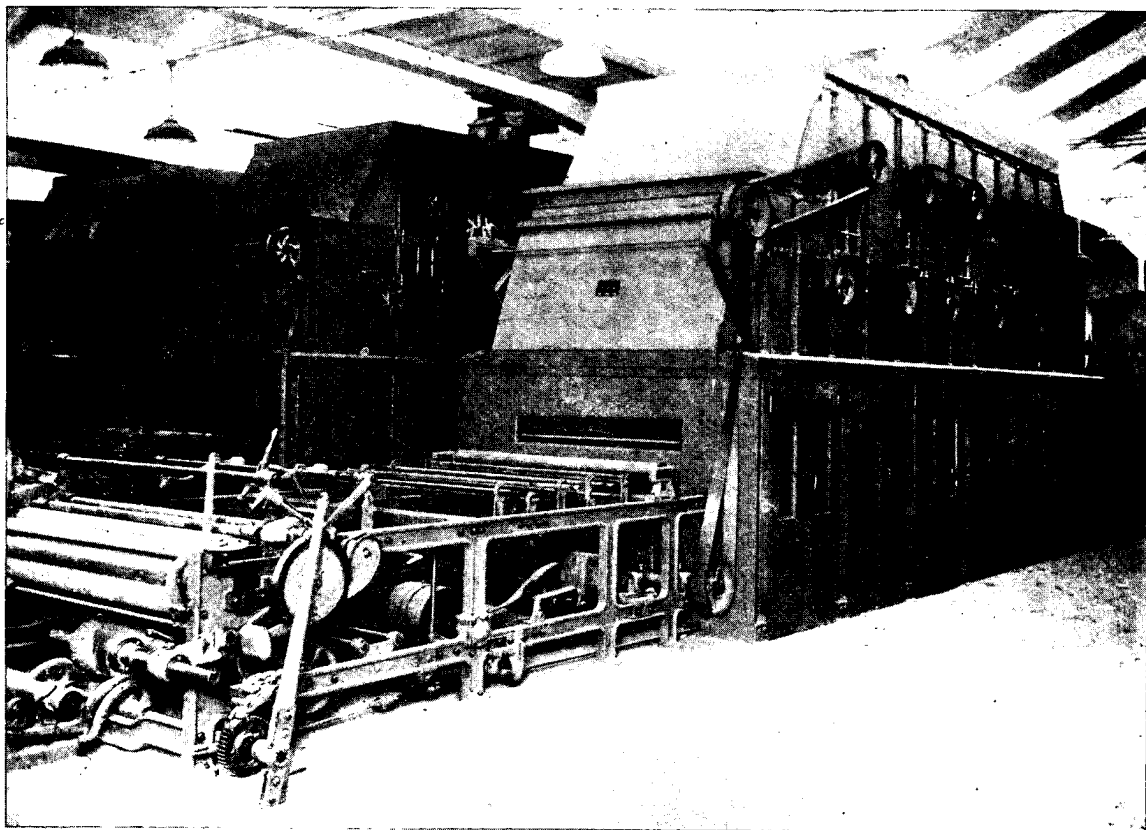
CHINA NATIONAL TRANSPORT MACHINERY IMPORT CO. LTD.

SPECIFICATION:

1. Roller diameter 508.5 mm.
length 1378 mm.
2. Speed of winding yarn 300, 320 meters /minute
3. Number of ends
Suitable for bobbin creel type
1461, Maximum 510 ends.
4. Drive Friction disc type
5. Brake attachment Brake lining
6. Height 1057.5 mm
7. Back reed Top shedding motion with adjustable gauge
between the reed wires.
8. Front reed Expandable
9. Put-on and take-off attachment
of warp beam Hand operating, worm wheel type.
10. Warp beam weighting attachment
Weights: one at right side and one at left
side (each piece ... 18 kg.)
11. Warp beam anti-shaking attachment
Friction type
12. Stop motion Full beam stop motion:
metric indicator control.
End break stop motion:
drop wire type.
Temporary stop motion:
push button at both left and right sides
of the Frame.
13. Drop roller and reversing motion
None.

*N.B.—For improvement of the machine, we reserve the
right to alter either the design or the specification.*

1491 型 漿 紗 機
SIZING MACHINE
TYPE 1491



SPECIFICATION:

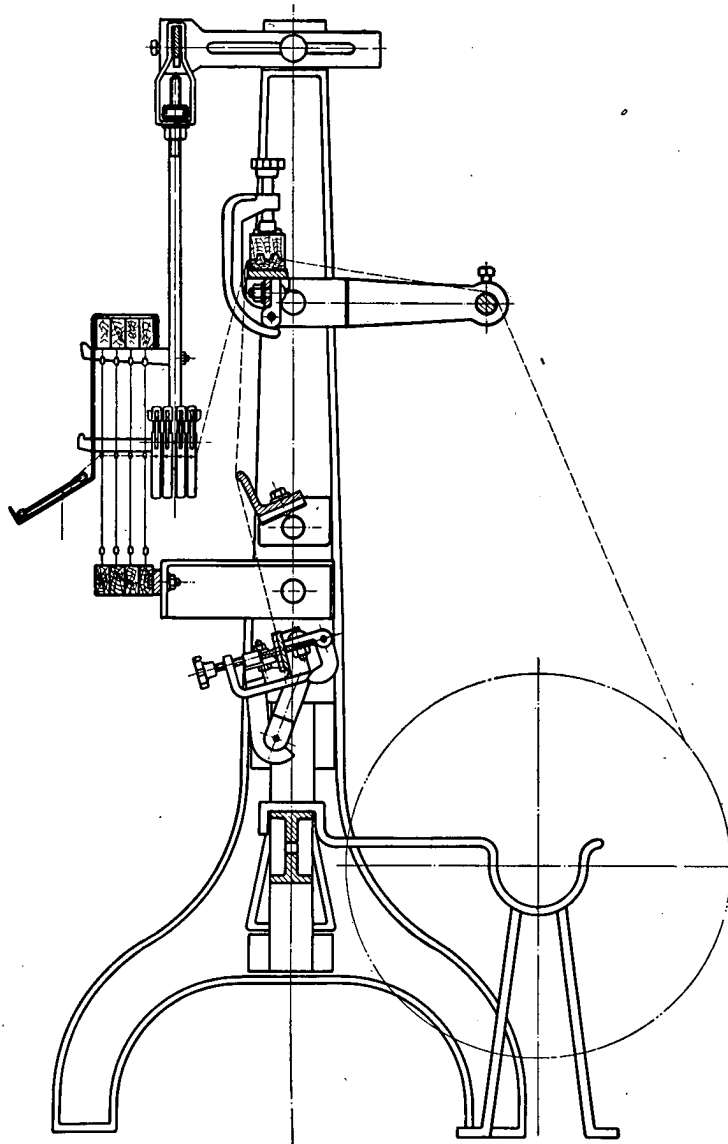
1. Type hot air
2. Creel inclined in row for 9 or 6 beams.
3. Speed of sizing
 - High speed* 20.5—32 meters/min. pitch diameter of motor pulley 195.58 mm.
24.5—35.5 meters/min. pitch diameter of motor pulley 220.98 mm
 - Low speed* 1.9 or 2.2 meters/min. pitch diameter of motor pulley 195.58
2.1 or 2.5 meters/min. pitch diameter of motor pulley 220.98 mm
4. Drive
 - High speed* driven by cone, individual motor with V-belt adjusted by hand wheel
 - Low speed* drive by rope pulley
 - Winding on motion driven by friction pulley
 - Exhaust fan individual motor with V-belt
5. Inner width of Weaver's Beam insertable Max. 1143 mm
6. Inner diameter of Beaming Shell of Beam Shaft 114.3 mm
7. Diameter of Draw Roller: 228.6 mm
8. Expansion Comb adjustable
9. Measuring Device
 - Diameter of measuring roller 114.59 mm
 - Length indicator Hitchon's type
 - One revolution of pointer represents 2.5 meters
10. Stamping Device complete set
11. Material of drying chamber Inner wall: 21 gauge sheet iron
Outside wall: red pine
with heat insulating material between
Radiation piping 3" B. I. Pipe with fins of $\phi 152.4$ mm installed in four layers totalling 118 pcs., complete with steam hop for starting, and reducing valve for stopping.
Diameter of cooling fan 924 mm. in 11 stages.

INDUSTRIAL TRANSPORT MACHINERY EXPORT CORPORATION

12. Sizing Trough Double Squeezing Roller type. Size: 1251mm
× 1683mm with copper lining
Diameter of Squeezing Roller ... 152.4 mm
Weight of Squeezing Roller ... Approx. 136 kg. each
Diameter of copper sizing roller 228.6 mm
Diameter of Immersion roller ... 225.8 mm
13. Circulation Pump gear type, driven by side shaft.
14. Boiling Pan approx. capacity 105 litres copper-lined.
15. Floor space
For Beam Flange ϕ 710 mm warping machine type 1452
9 Beam Sizing machine 21.6×2.8 meters
6 Beam Sizing machine 19.4×2.8 meters
16. Height
 - (1) Up to top of Drying Chamber 3844 mm
 - (2) Up to top of exhaust fan 4488 mm

N.B.—For improvement of the machine, we reserve the right to alter either the design or the specification.

1501 型 單 人 穿 箔 架
DRAWING-IN FRAME TYPE 1501



Side View of Drawing-in Frame Type 1501

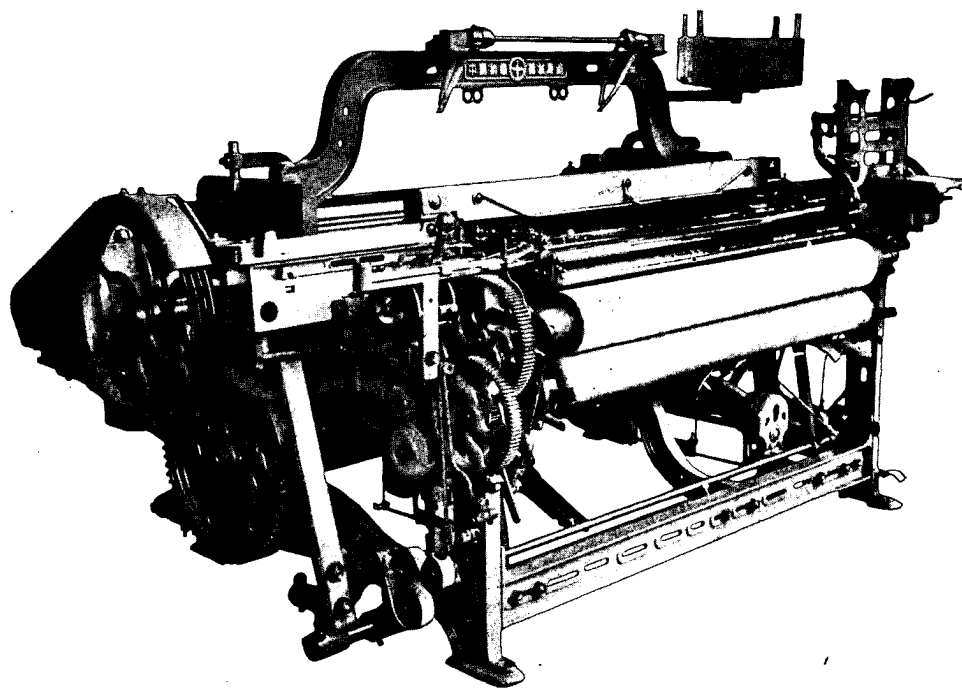
CHINA NATIONAL TRANSPORTATION SCIENCE AND TECHNOLOGY CENTER

Specification:

1. Type Single operator type
2. Maximum width allowance of warp 1320 mm.
3. Maximum diameter allowance of Weaver's Beam 600 mm.
4. Maximum diameter allowance of Weaver's Beam shaft sleeves ... 111 mm.
5. Number of harness that can be hung 4 pcs. (Max. thickness 19 mm per piece)
6. Number of rows of droppers ... 4 rows
7. Maximum height allowance of reed 118 mm.
8. Reacher-in attachment This attachment is not provided and cannot be installed on the machine
9. Machine height 1460 mm.

N.B:—For improvement of the machine, we reserve the right to alter either the design or the specification.

1511 型 織 機
AUTOMATIC LOOM
TYPE 1511

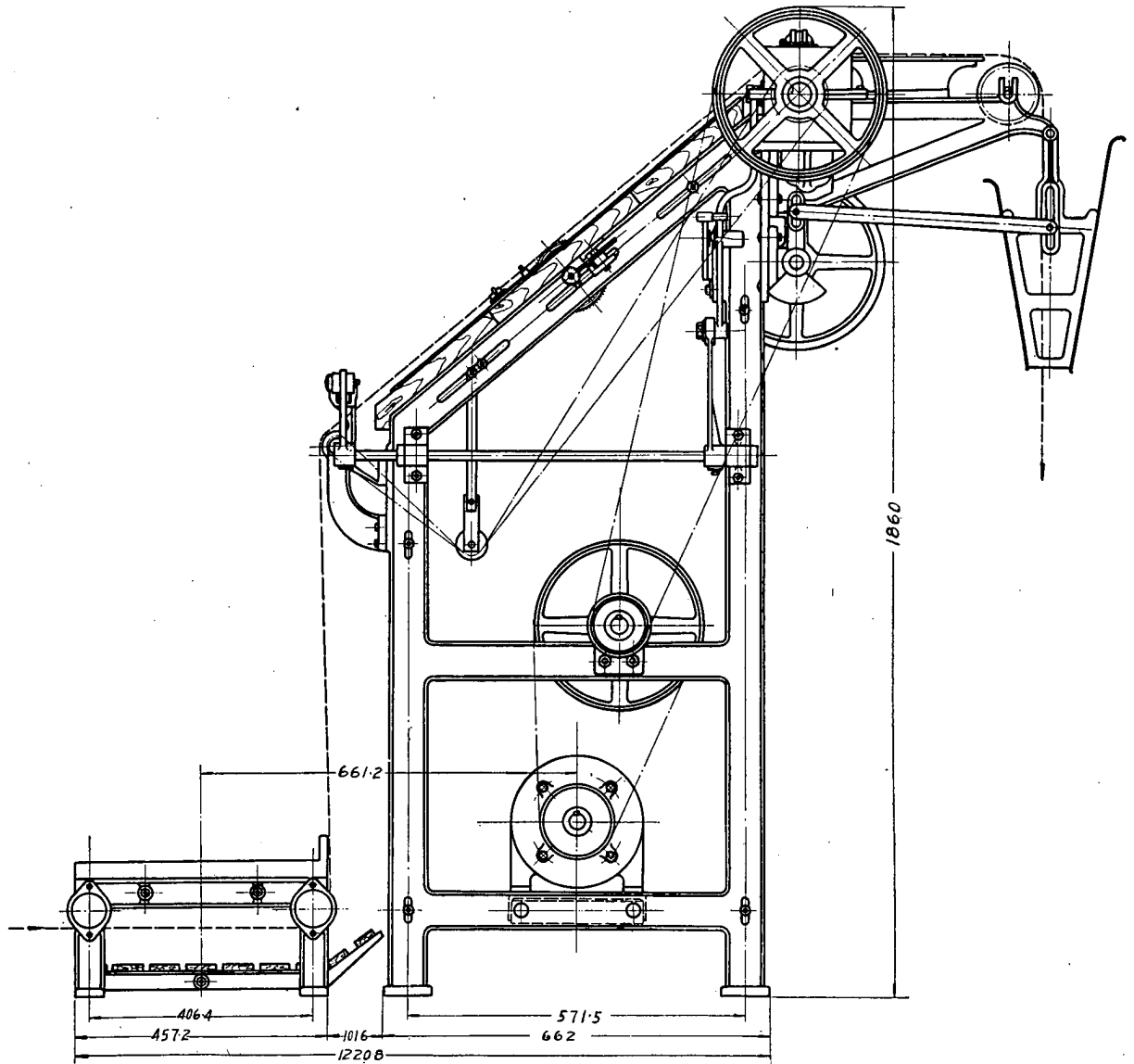


SPECIFICATION:

1. Type Under pick, non-stop shuttle changing
2. Hand Left or right hand
3. Reed space 1117 mm. (44")
4. Cloth width 965 mm. (38")
5. Speed 195 picks/min.
6. Let-off motion... .. positive
7. Yarn beam Flange Dia. 495.3 mm (19½")
Maximum distance between flanges: 1117 mm
8. Warp stop motion... .. Mechanical system, 4 lines of dropper bars
9. Shedding motion Dobby up to 16 shafts, tappet up to 5 leaves
10. Slay motion Radius of crank shaft—70 mm
11. Picking motion... .. With weft breakage stop motion, loose reed attachment and shuttle-flying guard
12. Shuttle changing Magazine for 10 shuttles of 343 mm with safety device for shuttle changing, weft feeler of non-shuttle stop device and weft cutter.
Attachment:
Miss pick preventer if required
13. Temples and take-up motions Temple of wood rollers, and with cloth feeler; with intermittent taking-up motion, cloth roller for 2 pieces of cloths

N.B.—For improvement of the machine, we reserve the right to alter either the design or the specification.

1521型 驗布機
CLOTH INSPECTING TABLE
TYPE 1521

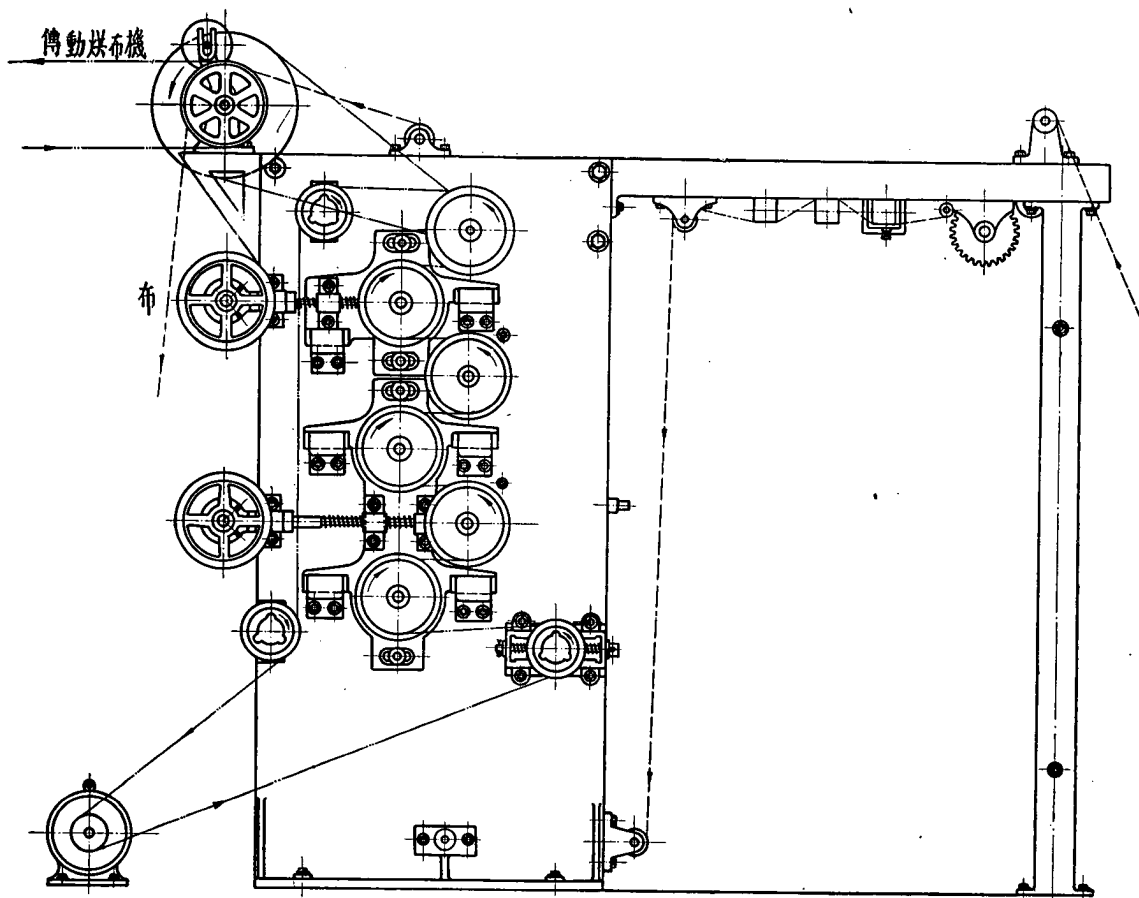


SPECIFICATION:

1. Type 45° inclined table
2. Working width Max. 1060 mm
3. Rate of inspection 20 meters/min. to
25 meters/min.
4. Height 1860 mm
5. Drive The wooden roller of the main shaft is individually driven by an electric motor. The pressure of the hard rubber roller on the wooden roller moves the cloth forward and backward.
6. Control The main shaft is furnished by a gear box controlled by a hand lever on the machine, facilitating forward, backward motion and stop.
7. Working surface of table 1490 × 910 mm. On the top of the table, there are a white-frosted glass plate and a black one. The table is provided with a measuring ruler of 1 meter in length.
8. Length measuring unit The measuring unit is furnished with a measuring wheel, each revolution of pointer indicates 40 meters.

N.B.—For improvement of the machine, we reserve the right to alter either the design or the specification.

1531 型 刷 布 機
BRUSHING MACHINE
TYPE 1531



SPECIFICATION:

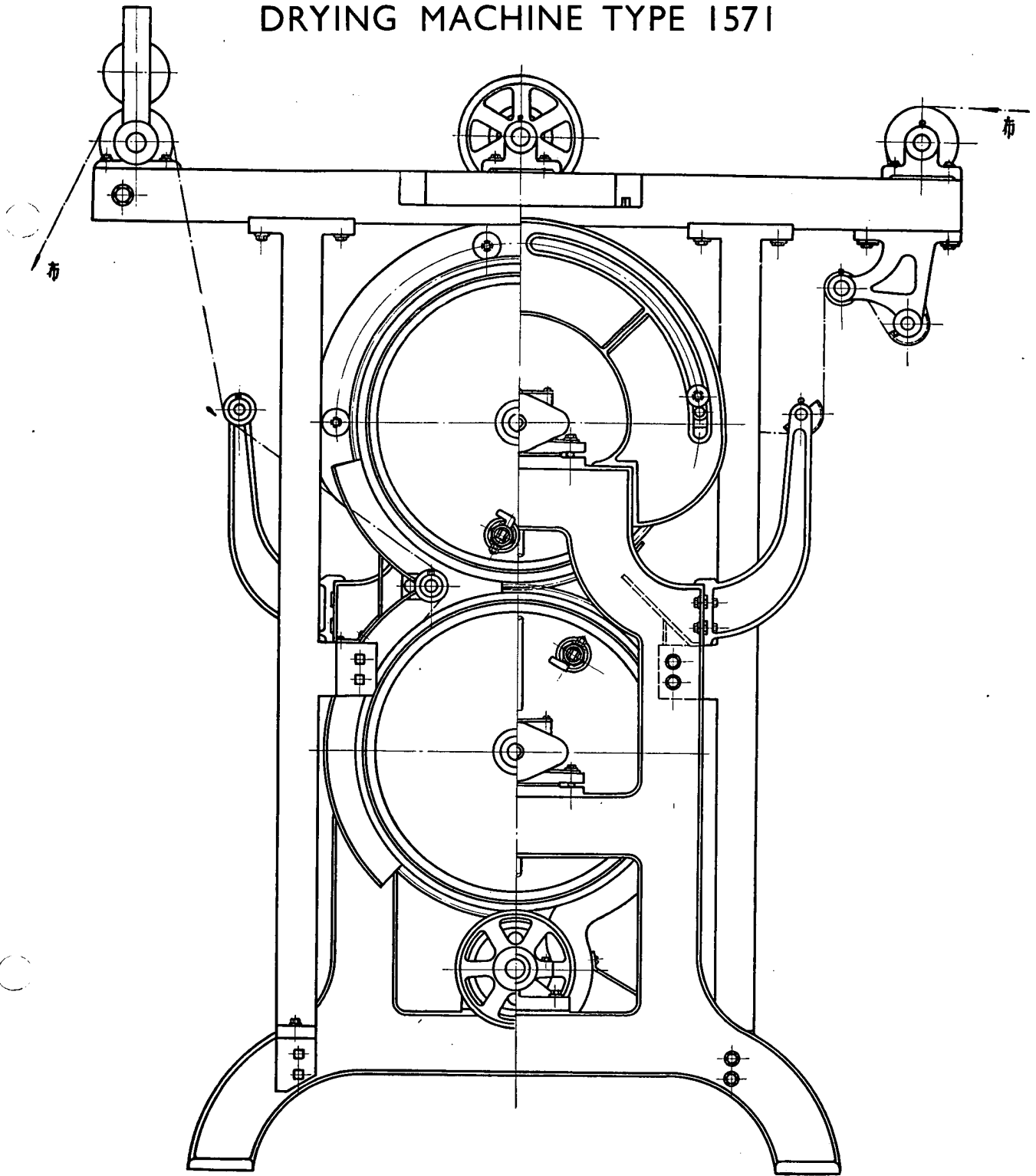
1. Type Vertical
2. Working width Max. 1000 mm
3. Brushing speed 54 metres/min.
4. Drive Individual motor, with flat belt
5. Belt pulley for driving Drying machine—diameter 228 mm
—speed 90 rpm
6. Diameter of belt pulley for Brush Roller 203.2 mm
7. Feeding Rack with tension adjusting device
8. Brush Rollers—number 2 pcs. each front and back row
—diameter 189 mm (tip to tip of bristle)
—speed 480 rpm
9. Emery Rollers—number 1 pc. each front and back row
—diameter 186 mm (bare)
—speed 480 rpm
10. Suction funnel 3 pcs. (connected to main duct beneath)

N.B.—For improvement of the machine, we reserve the right to alter either the design or the specification.

CHINA NATIONAL TRANSPORTATION GROUP

1571型 烘 布 機

DRYING MACHINE TYPE 1571



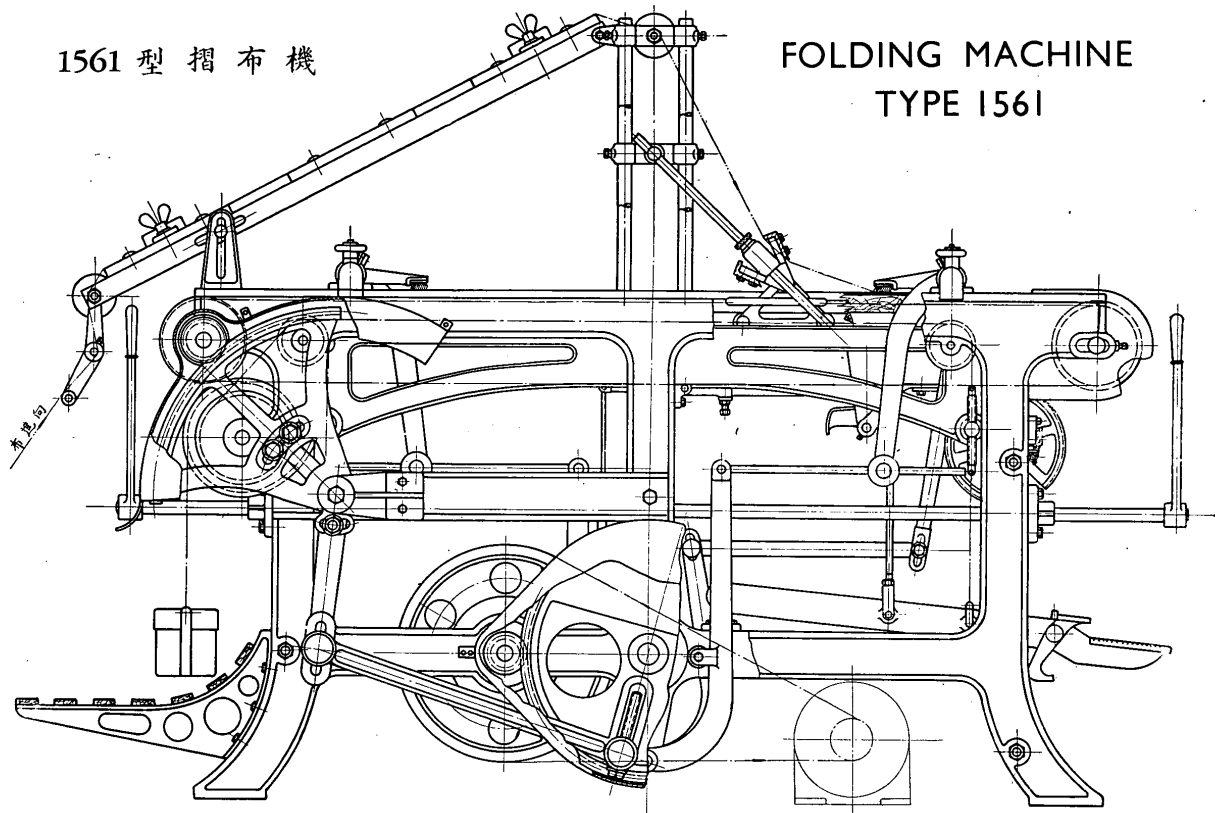
SPECIFICATION:-

1. Type Vertical double cylinder
2. Width of cloth Max. 1100 mm.
3. Surface speed of cylinder 54 metres/min.
4. Steam pressure applied Max. 1 kg/cm²
5. Drive By Brushing machine type 1531 through flat belt
6. Main pulley diameter 228 mm.
7. Number of Drying cylinder 2 pcs.
Cylinder diameter 572 mm.
Cylinder speed 30 rpm.
8. Half-shell Stretcher 2 pcs.
9. Safety valve 1 pc.

N.B.—For improvement of the machine, we reserve the right to alter either the design or the specification.

1561 型 摺 布 機

FOLDING MACHINE
TYPE 1561



摺 布 機 側 面 圖

SPECIFICATION:

- | | |
|----------------------------------------------|-------------------------------------------------|
| 1. Type Plane | 4. Width of folding 900—1020 mm. |
| 2. Width of cloth ... Maximum width 1150 mm. | 5. Number of folding Max. 90 |
| 3. Speed of folding 54 metres/min. | 6. Drive By individual motor with V-belt |
| | 7. Height of machine 1500 mm. |

N.B.—For improvement of the machine, we reserve the right to alter either the design or the specification.

1371 型 打 包 機

BALING PRESS TYPE 1371

Specification :

This machine consists of :— Hydraulic Press, Water Pump (including water tank), and Triple Valve.

a) Hydraulic Press:—

1. Maximum working pressure 75 metric tons.
2. Surface of lifting table 1415×1050 mm.
3. Maximum distance between tables 970 mm.
4. Bale height (on machine) 430 mm. (20 pcs. cloth each of 40 yds.)
5. Diameter of piston 200 mm.
6. Max. lift of piston 830 mm.
7. Machine height 2210 mm. (from floor).
8. Total height 3800 mm. (from water pipe)

b) Water Pump:—

1. Number of pistons and their diameters 3 pcs., 58 mm, 45 mm. 25 mm.
2. Pressure of pistons Triple-stage, 60 kg/cm², 120 kg/cm², 240 kg/cm².
3. Piston stroke 76 mm.
4. Number of reciprocating stroke ... 154 times/min.
5. Capacity of water tank 0.22 cu. metre.
6. Total height 1140 mm.

c) Triple Valve:—

1. Diameter of inlet 1 $\frac{1}{4}$ "
2. Diameter of outlet 1 $\frac{1}{2}$ "

N.B.—For improvement of the machine, we reserve the right to alter either the design or the specification.

REPRESENTED IN BERLIN BY

CHINA NATIONAL IMPORT & EXPORT CORPORATION

LEIPZIGER STR. 112 W8 CABLE: CNI EC BERLIN

BRANCHES

TIENTSIN OFFICE: 171 Chien Shien Road (Ho Si District)
Cable Address: TRANSMACH Tientsin

SHANGHAI OFFICE: 27 Chung Shan Road E1
Cable Address: TRANSMACH Shanghai

CANTON OFFICE: 25 Tai Ping Road South
Cable Address: TRANSMACH Canton