

NATIONAL PHOTOGRAPHIC INTERPRETATION CENTER



Top Secret

25X1

Imagery analysis report

**68th Army, Shenyang Military Region,
China**

25X1

Top Secret



25X1

IAR-0071/80

JUNE 1980 25X1

Copy 167

Page Denied

Top Secret RUFF [redacted]

25X1
25X1

68TH ARMY, SHENYANG MILITARY REGION, CHINA [redacted]

25X1

ABSTRACT

1. [redacted] This report discusses the 68th Army of the People's Liberation Army in the Shenyang Military Region, China. It describes the physical and functional changes to facilities observed on imagery acquired during calendar year 1979. It also presents an analysis of the installations considered to be organic to the 68th Army. Interim National Basic Reference Graphics published in 1978 by CIA/OIA on the 68th Army were used as the point of reference for analyzing functional associations of the facilities.

25X1

2. (U) This report contains one location map, four organizational charts, seven annotated photographs, and one table.

INTRODUCTION

3. [redacted] The 68th Army¹ is one of six armies of the Shenyang Military Region (MR) in northeastern China (Figure 1). It was formed in November 1947 from the 6th Column, which consisted of the 16th, 17th, and 18th Brigades in Hebei Province. During the revolution, the 68th Army took part in several battles in Shanxi Province. It remained in Shanxi until 1950, when it returned to Hebei. During the Korean conflict, the Army, near Yangdok, was under heavy attack by the United Nations Command Forces. After the Korean war, the 68th Army again returned to northern China. [redacted]

25X1

25X1
25X1

4. [redacted] The 68th Army is currently quartered in 20 installations dispersed along the northeastern border of Jilin Province from the area surrounding the provincial capital of Jilin to the small town of Tumen on the North Korean border. The major orientation of the Army is east to west, with the threat orientation toward both the North Korean border and the Soviet border. The topography of the region is hilly to mountainous with peaks of the Lung-kang-shan Mountains ranging between 2,000 and 6,000 feet above sea level. Several large- and medium-sized rivers flow through the area. Most of the installations associated with this army are near major railroad towns along the Changchun-Tumen rail line. Three major airfields also serve the area: Jilin/Ertaizi Airfield [redacted] Jiaohe Airfield ([redacted] and Yanji Airfield South [redacted]

25X1

25X1
25X1

5. [redacted] Similar to most armies in China, the 68th Army consists of an army headquarters, army-level support units, and three infantry divisions. The Army headquarters and its subordinate units, at Jilin, are housed in three installations; the 202nd Infantry Division, also at Jilin, is quartered in six installations; the 203rd Infantry Division, centered around Jiaohe, is housed in five installations; and the 204th Infantry Division, at Yanji, is housed in six installations (Figure 2).

25X1

6. [redacted] Coverage of most of the targets associated with this army was sparse but adequate during the 1979 calendar year. There were [redacted] frames covering 15 targets and eight passes from [redacted] covering 24 targets. Three targets were imaged on [redacted] Imagery of the Xinzhan Army Barracks AL-1, Jiaohe Army Barracks North AL-2, and Jiaohe Army Barracks East, all in the 203rd Infantry Division, were [redacted] or less or cloud covered; consequently, these targets were not adequately monitored in 1979.

25X1

25X1
25X1

25X1

BASIC DESCRIPTION

68th Army Headquarters and Army-Level Support Units

7. [redacted] The 68th Army headquarters and its subordinate units (Figure 3) consist of a headquarters facility, a motor transport battalion, a probable antiaircraft artillery (AAA) regiment, an artillery regiment, and a possible engineer battalion (Table 1).

25X1

8. [redacted] The headquarters facility, the motor transport battalion, and the probable AAA regiment are at Jilin Headquarters Army and Barracks AL-1 on the southwestern edge of Jilin city. The headquarters and the motor transport unit have not undergone any significant changes since publication of the interim National Basic Reference Graphics (NBRGs).³ On imagery of October 1979, an AAA unit with twelve 37MM antiaircraft (AA) guns and nine ZPUs was newly identified immediately west of the motor transport unit (Figure 4). This new unit partially fulfills the requirement for an army-level AAA regiment to be located at or near the army headquarters facility. Usually such a regiment has twenty-four 57MM AA guns, eighteen 37mm AA guns, and six ZPU-4. No 57MM guns have been identified, as yet, while three more than the usual complement of six ZPUs were seen; however, more than adequate vehicle/equipment storage space is available.

25X1

9. [redacted] The artillery regiment for the 68th Army headquarters is still housed at Shuanghezhen Army Barracks AL-1, about 25 nautical miles (nm) southwest of Jilin. This installation houses the artillery regiment headquarters and three gun or gun/howitzer battalions. Sufficient field artillery was identified at this installation during 1979, to indicate that the three battalions were still present. The interim NBRG³

25X1

[redacted]

25X1



FIGURE 1. LOCATION OF SHENYANG MILITARY REGION AND 68TH ARMY, CHINA

reported that one area of the installation houses a multiple rocket launcher (MRL) battalion; however, the last identification of MRLs was on [redacted] when eight possible MRLs were observed. It is not likely that MRLs are still stationed here, but it is more likely that they are housed at Jilin Army Barracks Southwest AL-3, 22 nm to the northeast. A full MRL battalion has been seen periodically at Jilin Army Barracks Southwest AL-3 since September 1977. This battalion may be the same unit formerly housed at Shuanghezhen Army Barracks AL-1.

25X1

10. [redacted] The interim NBRG³ indicates that Jilin Army Barracks Southwest AL-3 houses an engineer battalion (ponton bridge). However, engineer equipment was only reported at this barracks on [redacted] when one probable TPP was identified, and, on [redacted] when nine confirmed KMM were seen. Although adequate vehicle storage space is available, this facility may no longer house a ponton bridge unit. As of late 1979, the previously identified KMM and TPP may possibly be associated with the independent unit at Jilin Ponton Bridge Regiment and Barracks AL-4 [redacted], 4 nm north of Jilin. Several barracks and vehicle storage buildings were newly completed in the former training area in the western portion of Jilin Southwest AL-3.

25X1
25X1
2525X1

11. [redacted] The AAA unit at Dafengman Defensive Area is reported by DIA as being attached to the 68th Army headquarters.⁴ However, this unit is probably an independent AAA unit deployed for the protection of the large dam and hydroelectric powerplant on the Sungari River, 5 nm southeast of Jilin. The arrangement of the guns into eight AAA sites, four on each side of the river, also seems to indicate that this is its main function.

25X1

25X1

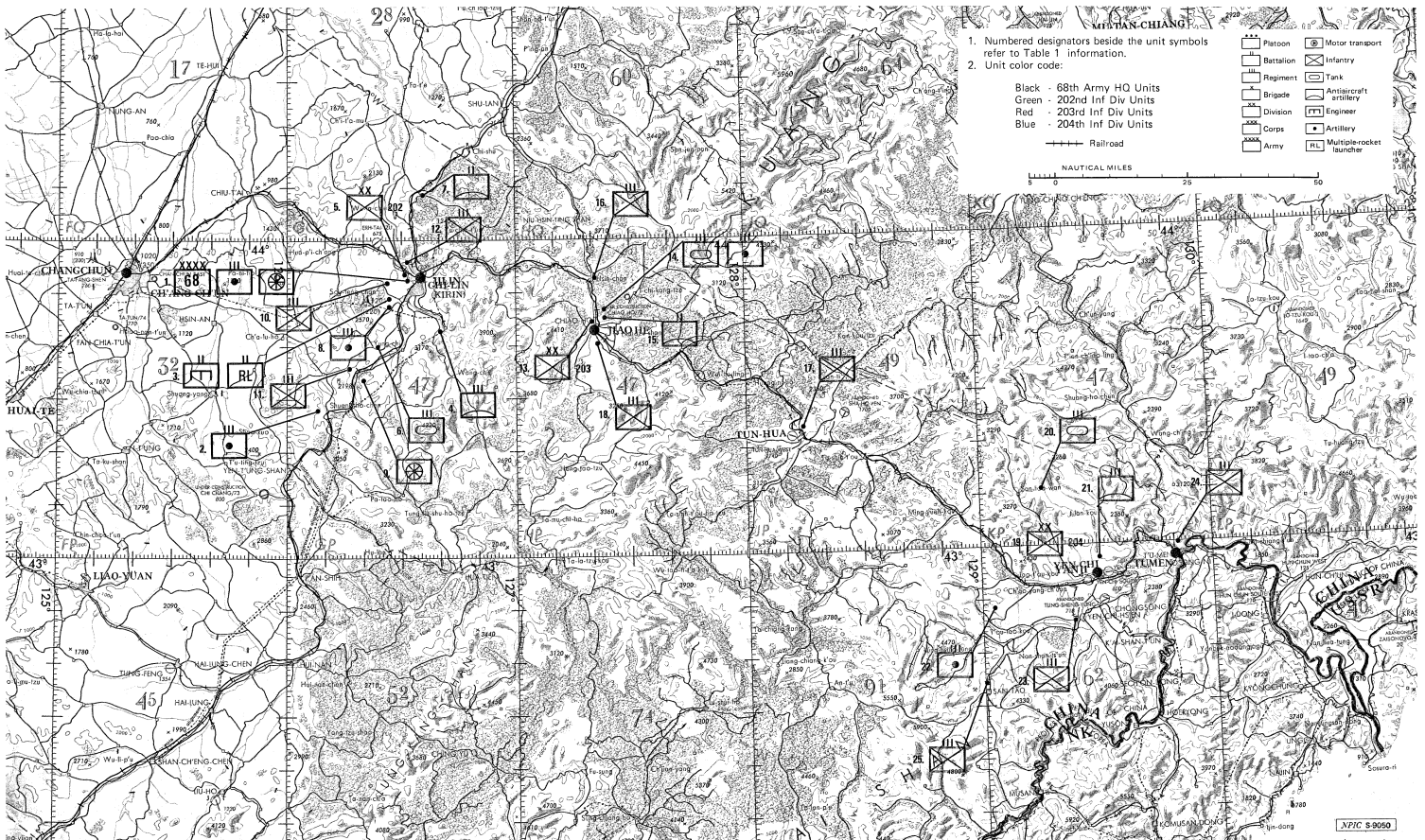
202nd Infantry Division

12. [redacted] The 202nd Infantry Division (Figure 5) is housed in six installations clustered around Jilin. It consists of an infantry division headquarters, an artillery regiment, a motor transport battalion, and three infantry regiments. The location of a tank regiment and an AAA battalion normally associated with a People's Liberation Army infantry division has not been identified. Evidence of an engineer battalion usually associated with an infantry division has not been observed.

25X1

13. [redacted] The infantry division headquarters, Jilin Headquarters Infantry Division and Barracks AL-2, is adjacent to the 68th Army headquarters in southwestern Jilin. The only change since the publication of the interim NBRG³ has been the addition of nine quarters buildings along the eastern edge of the facility. No significant order-of-battle (OB) has been observed at this installation.

25X1



Top Secret RUFF [redacted]

25X1

14. [redacted] The artillery regiment for the 202nd Infantry Division is still housed at Jilin Southwestern Army Barracks AL-9, situated on the southwestern edge of the city. Equipment for part of a gun battalion and part of two howitzer battalions and a mortar battalion was seen in 1979. Twelve new barracks have been added to the facility since the date of the interim NBRG.³

25X1

15. [redacted] The motor transport battalion for the 202nd Infantry Division is probably housed at Xingshanling Army Barracks AL-1 (Figure 6), approximately 20 nm southwest of Jilin. Between 25 and 50 cargo trucks have been seen at this facility. The only change at this installation has been the completion of a large administration building. No interim NBRG has been prepared on this installation.

25X1

16. [redacted] The three infantry regiments associated with this division are at Jilin Army Barracks AL-6 and Jilin Army Barracks Northwest AL-1, both on the western edge of Jilin, and at Xiyang Army Barracks AL-1, 15 nm southwest of Jilin. There has been extensive construction at Jilin Army Barracks AL-6 since the publication of the interim NBRG, increasing the housing capacity of the installation significantly (Figure 7). Of the four areas contained in this facility, two of those housing infantry battalions have been completely rebuilt and have approximately doubled in size. The size of the third battalion area remains unchanged. Two vehicle storage buildings have also been added in the headquarters area of the infantry regiment at Jilin AL-6. The remaining two infantry regiments attached to this division have not changed significantly since the interim NBRGs.

25X1

17. (TSR) The location of a tank regiment for this division has not been identified on imagery. However, on [redacted] elements of a tank battalion were seen in a field exercise at Chungenghe Armor Training Area, 14 nm south-southwest of Jilin. This training area was imaged only twice during 1979, before the normal field training period began. This armor is probably housed elsewhere since there are no facilities for the storage of vehicles or enough housing available for troops at Chungenghe Training Area.

25X1

18. [redacted] The location of the AAA battalion for the 202nd Infantry Division has also not been identified on imagery. Elements of an AAA battalion were seen on [redacted] at Wulajie AAA Barracks Area Southeast, 10 nm north of Jilin; however, none has been observed there since that date. The size of this installation and the lack of sufficient storage indicate that this facility is probably not military associated.

25X1
25X1

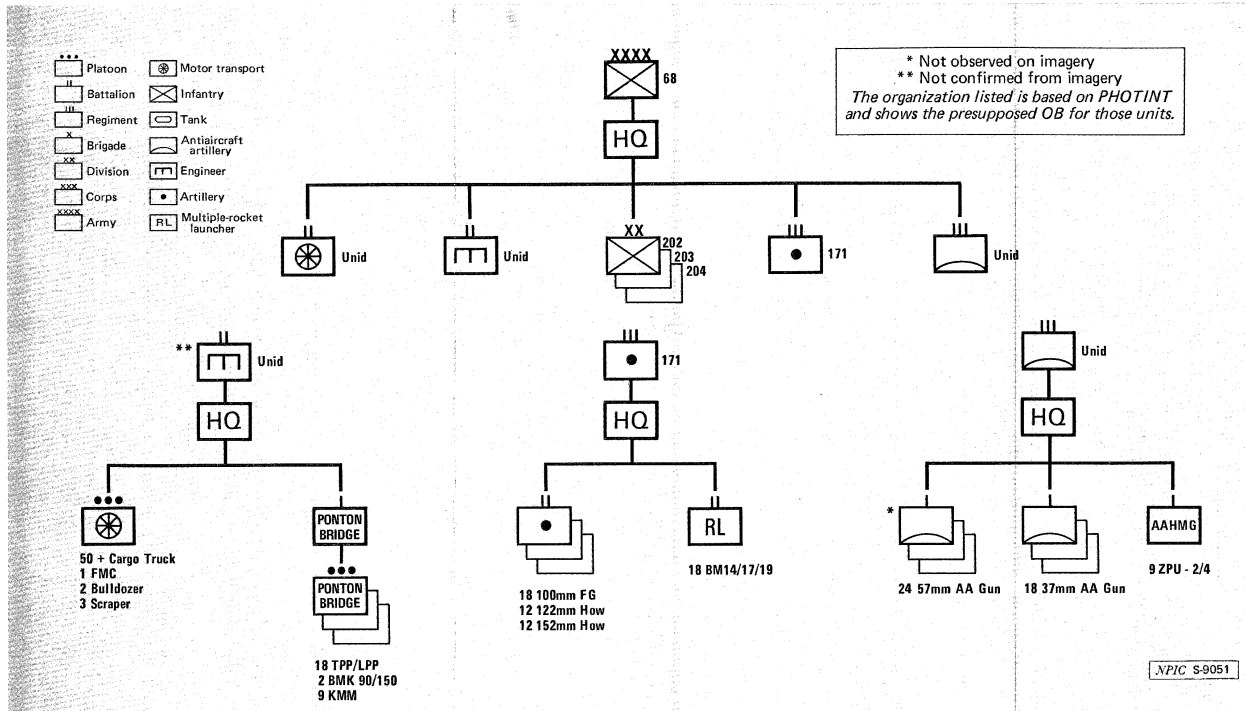


FIGURE 3. POSTULATED STRUCTURE OF THE 68th ARMY HEADQUARTERS LISTING PRIMARY UNITS CONFIRMED BY PHOTINT

203rd Infantry Division

19. [redacted] Units of the 203rd Infantry Division (Figure 8) are housed in five installations centered around Jiaohe, about 50 nm east of Jilin. The division consists of a headquarters, a possible engineer battalion, an artillery regiment, a tank/assault gun regiment, three infantry regiments, and a possible AAA battalion. 25X1

20. (TSR) The infantry division headquarters, Jiaohe Headquarters Division and Army Barracks AL-1, is in the center of Jiaohe. In 1979, the installation was covered only once on imagery of better than [redacted] Since the publication of the interim NBRG,³ several new barracks and vehicle storage buildings have been built. Elements of the engineer battalion reportedly housed at this installation have not been seen since [redacted] however, adequate vehicle storage space is available. 25X1

21. [redacted] The artillery regiment for the 203rd Division—consisting of a gun, a howitzer, and a mortar battalion—is housed at Jiaohe Army Barracks North AL-2. Although the mortar battalion was not observed during 1979, it was probably in the covered storage structure. An MRL battalion normally seen with an artillery regiment has not been observed with the 203rd Division. The tank/assault gun regiment is probably still housed at Jiaohe AL-2. Only four armored vehicles were seen at this installation on imagery of [redacted] the date of the only coverage during 1979. Vehicle storage sufficient to house the regiment exists at this facility. 25X1

22. (TSR) Of the three facilities housing the infantry regiments associated with this division, only one, Jiaohe Army Barracks South AL-3, is in Jiaohe. Dunhua Army Barracks AL-1 is about 50 nm to the southeast and Xinzhan Army Barracks AL-1 is about 15 nm to the north. Dunhua Army Barracks is the only facility imaged more than once in 1979. Extensive construction was in progress at this facility which appears to have almost doubled in size (Figure 9). In 1979, Xinzhan Army Barracks was covered once, on [redacted] The interim NBRG³ for the infantry regiment at Xinzhan Army Barracks delineates an area for the headquarters unit and all three infantry battalions (Figure 10). However, NPIC believes that this area is 40 percent civilian and that only one infantry battalion and the headquarters unit are housed in the remaining area. The other battalions are probably housed in two nearby areas, one approximately 1 nm north and the other 2 nm southeast. At Jiaohe Army Barracks South AL-3, no significant changes were observed on imagery of [redacted] 25X1

23. [redacted] The AAA battalion for this division is possibly housed at Jiaohe Army Barracks East, but no equipment has been seen here since [redacted] Although adequate vehicle/equipment storage space is present, no indications of military activity were discernible. 25X1



25X1

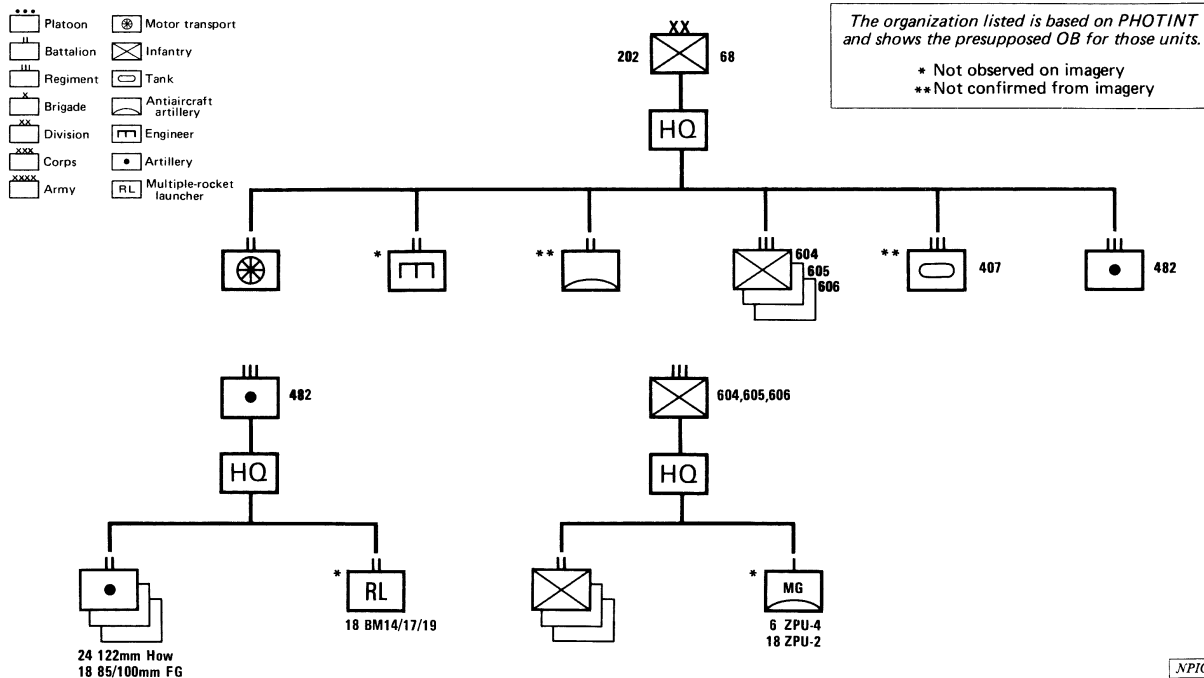


FIGURE 5. POSTULATED STRUCTURE OF THE 202ND INFANTRY DIVISION LISTING PRIMARY UNITS CONFIRMED BY PHOTINT

Page Denied

204th Infantry Division

24. [REDACTED] The 204th Infantry Division (Figure 11) is housed in six installations centered around Yanji, near the North Korean border, and about 150 nm east of Jilin. It consists of an infantry division headquarters, an artillery regiment, an engineer (pontoon bridge) battalion, an AAA battalion, and three infantry regiments. The location for a tank regiment, which is usually associated with an Army division, has not been identified. 25X1
25. (TSR) The artillery regiment for this division is housed at Erdaokou Army Barracks, approximately 6 nm north of the small town of Erdaokou and about 20 nm west of Yanji. Evidence of the mortar battalion and two gun/howitzer battalions was seen in 1979. No significant structural changes have occurred in the facility since the date of the interim NBRG.
26. [REDACTED] The engineer battalion for the 204th Division is housed at Yanji Army Barracks North-northeast AL-2 where pontoon bridge equipment has been observed periodically since May 1976. A full complement of 18 LPP/TPPs, however, has not been seen, but sufficient vehicle storage space is available. 25X1
27. (TSR) The AAA battalion associated with this division is housed in an area immediately adjacent to and west of the engineer battalion at Yanji Army Barracks North-northeast AL-2 (Figure 12). Only 37MM AA guns and ZPUs have been observed in this area since May 1976. Fifteen 37MM guns and nine ZPUs were identified on imagery of [REDACTED] 25X1
28. (TSR) The three infantry regiments associated with this division are housed at Helung Army Barracks AL-1, approximately 15 nm southwest of Yanji, Yanji-Hsien Army Barracks (formerly Lung-ching-tsun Army Barracks West AL-1), about 15 nm west-southwest of Yanji, and Tumen Army Barracks Northeast AL-1, about 10 nm east of Yanji on the North Korean border. No significant changes have been observed at the Tumen Army Barracks and Helung Army Barracks since the latest NBRGs.³ The three areas housing the infantry battalions at Yanji-Hsien Army Barracks have been enlarged and reconstructed (Figure 13). Previously, all three battalion areas were similar in size and shape; each consisted of five barracks and one messhall. The dining areas of each of the messhalls and several barracks have been razed in each area and new barracks have been built, doubling the size of each area. One of the battalion areas may possibly include a larger area than is delineated by the interim NBRG³ as several probable barracks are beyond the southwest corner of the easternmost area. The fourth area, housing the headquarters unit, has remained unchanged.
29. (TSR) Although the location of the tank regiment probably attached to this division has not been identified on imagery, 21 medium tanks were seen on [REDACTED] at Sandaowan Military Tent Camp, 15 nm northwest of Yanji. The camp does not include any permanent buildings and has been completely abandoned. 25X1

IMAGERY ANALYST'S SUMMARY/COMMENTS

30. [REDACTED] Armor is almost completely absent from the 68th Army. Of the three installations reported to house possible tank regiments, the only armored vehicles identified in 1979 were at Jiaohe Army Barracks North AL-2 in the 203rd Infantry Division. The other two targets where tank units have been seen appear to have only been temporary training areas. 25X1
31. [REDACTED] Five different installations have housed AAA units attached to the 68th Army. Two of these installations (Wulajieh AAA Barracks Area Southeast in the 202nd Division and Jiaohe Army Barracks East in the 203rd Division) do not appear to be military related and AAA equipment has not been observed there for several years. The Dafengman Defensive Area near the 68th Army headquarters contains a probable independent AAA unit mainly for the protection of the adjacent dam and hydroelectric powerplant. The only two facilities where AAA units have definitely been associated with the 68th Army units are Jilin Headquarters Army and Barracks Area AL-1 and Yanji Army Barracks North-northeast AL-2 in the 204th Division. 25X1
32. (TSR) The artillery and infantry regiments appear to be basically complete and present at the specified installations. Complete complements of the artillery, however, were not always observed at all of the facilities, but more than adequate covered storage was available at most installations. The facilities at many of the infantry regiments were expanded during the period of this report.
33. [REDACTED] Engineer units (pontoon bridge battalions) are subordinated³ to each of the three infantry divisions and to the army headquarters unit. Only at Yanji Army Barracks North-northeast AL-2, however, were elements of a pontoon bridge battalion seen in 1979. 25X1
34. [REDACTED] The units in Table 1 followed by an "X" are the ones believed by NPIC to be currently attached to the 68th Army. Those with no mark are not considered organic to the army. All units listed are main force units. 25X1

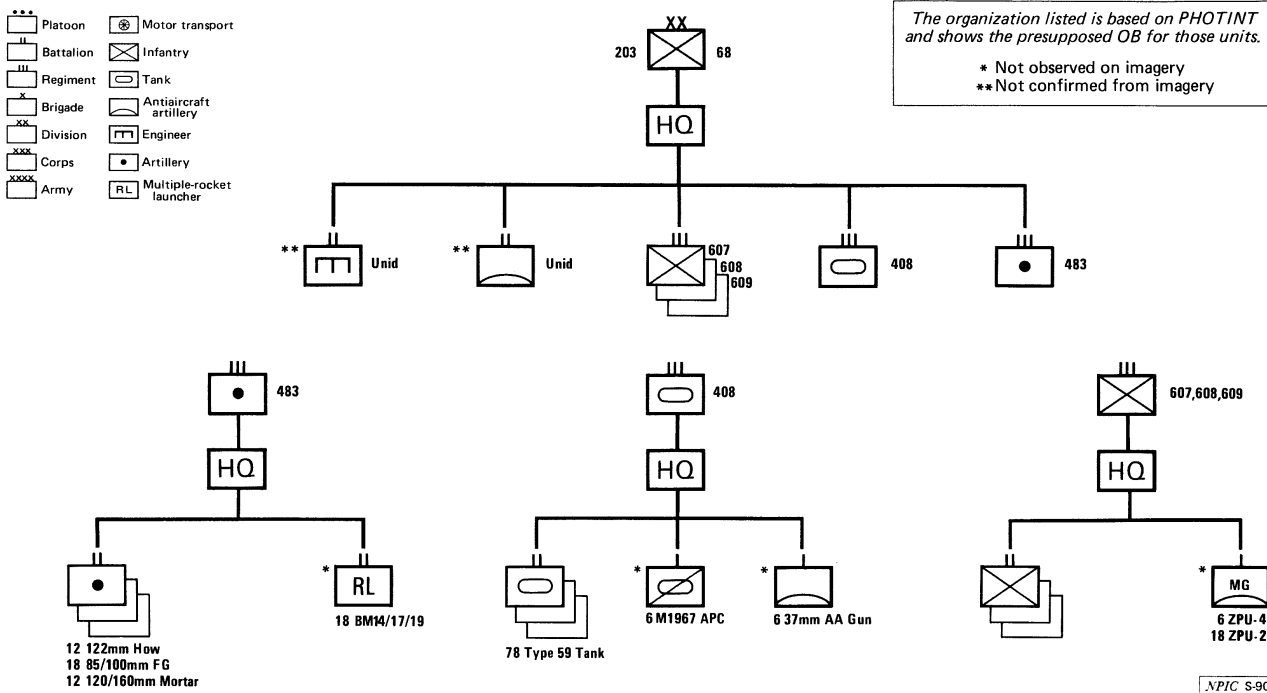


FIGURE 8. POSTULATED STRUCTURE OF THE 203RD INFANTRY DIVISION LISTING PRIMARY UNITS CONFIRMED BY PHOTINT

Page Denied

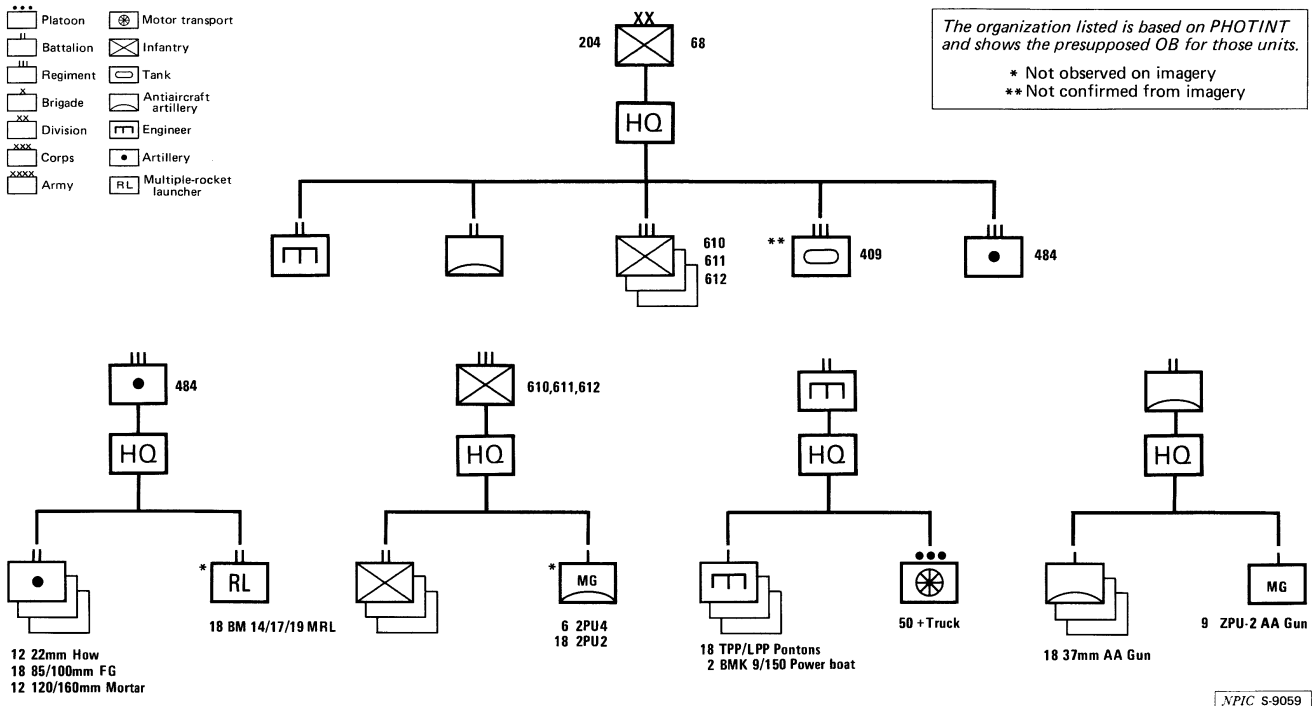


FIGURE 11. POSTULATED STRUCTURE OF THE 204TH INFANTRY DIVISION LISTING PRIMARY UNITS CONFIRMED BY PHOTINT

Page Denied

Table 1. Units Associated with the 68th Army
 68th Army Headquarters Unit
 (This table in its entirety is classified TOP SECRET RUFF)

No	Name	BE No	Geo Coords	Numerical Designator	Units		Believed (by NPIC) to be Organic	Latest OB and Date	Estimated TO&E	Remarks
					Type	Unit				
68TH ARMY HEADQUARTERS AND ARMY LEVEL SUPPORT UNITS										
1	Jilin Hq Army and Bks Area AL-1		43-49-19N 126-29-41E	0068 0006 0219	Inf MT AAA	Army Hq Unit Regt	X X X	1 CT, 1 bus 22 CT 12 37mm AA, 9 ZPU, 6 CT 30 FA	18 37mm AAA, 24 57MM 9 ZPU-4/2 12-122MM gun, 12-152MM How, 21-MRL, 18 100MM FG	AAA Regt newly identified 57MM AAA; not seen yet MRL; not seen since may have moved to Jilin Army Bks SW AL-3 16 18 MRL seen here periodically since enrg eqpmt not seen since 11 KMM and 9 TPP
2	Shuanghezhen Army Bks AL-1		43-28-59N 126-08-01E	0171	Arty	Regt	X			
3	Jilin Army Bks SW AL-3		43-48-38N 126-28-28E	0048 Unid	Ptn MRL	Bn Bn	X	13 CT	2 powerboat, 9KMM, 18 TPP	
4	Dafengman Def Area		43-42-06N 126-41-25E	Unid	AAA	Regt		44 AAA	24 57MM AA, 18 37MM AA 6 ZPU-4	Prob independent/Unit for defense of dam and powerplant
202ND INFANTRY DIVISION										
5	Jilin Hq Inf Div and Bks AL-2		43-49-21N 126-29-42E	0202	Inf	Div Hq	X	11 CT		
6	Chun-teng-ho ** Armor Training Area		43-39-35N 126-26-15E	0407	Tk	Regt		None discernible	80 type 59, 14 APC 6 37MM AA, 5 ARV	Armor only seen once on prob only temporary training area AAA not seen since may have moved to army hq unit
7	Wuajie AAA Bks Area SE		44-02-20N 126-35-10E	0124	AAA	Bn		2 CT	18 37MM AA, 24 57MM AA 9 ZPUs	
8	Jilin SW Army Bks AL-9		43-49-14N 126-28-29E	0482	Arty	Regt	X	19 How, 5 FG, 12FA 42 CT	24 122MM How, 18 MRL, 18 85MM 100 MM FG	
9	Xingshanling Army Bks AL-1		43-34-37N 126-18-47E	0022	MT	Bn	X	24 CT		No interim NBRG
10	Jilin Army Bks AL-6		43-48-32N	0604	Inf	Regt	X	5 CT		Extensive construction since NBRG; housing capacity has increased significantly
11	Xiyang Army Bks AL-1		43-36-19N 126-17-13E	0605	Inf	Regt	X	2 Veh		
12	Jilin Army Bks NW AL-1		43-56-47N 126-27-31E	0606	Inf	Regt	X	None discernible		
203RD INFANTRY DIVISION										
13	Jiaochang Hq Inf Div and Army Bks AL-1		43-43-36N 127-20-50E	0203 0049	Inf Ptn	Div Hq Bn	X X	5 CT	2 powerboats, 18 TPP 14M-1967, 80 type-59 12 122MM How, 12 160MM Mort 21 MRL 18 85/100MM	Ponton Bg Bn not seen since Armor training facilities present, but tank Regt has never been seen; mortar not seen in 1979 field gun No AAA reported here since NBRG does not include 2 separate Bn areas Extensive construction noted; facility is almost doubled in size
14	Jiaochang Army Bks N AL-2		43-44-42N 127-21-50E	0408 0483	Tk Arty	Regt Regt	X X	4 poss AV 12 How, 11 FA		
15	Jiaochang Army Bks E		43-43-56N 127-22-02E	0141	AAA	Bn		None discernible	18 37MM AAA, 24 57MM AAA 9 ZPU-2	
16	Xinzhuan Army Bks AL-1		43-53-13N 127-20-25E	0607	Inf	Regt	X	12 FA, 19 CT		
17	Dunhua Army Bks AL-1		43-22-11N 128-13-32E	0608	Inf	Regt	X	None discernible		
18	Jiaochang Army Bks S AL-3		43-42-17N 127-20-09E	0609	Inf	Regt	X	None discernible		
204TH INFANTRY DIVISION										
19	Yanji Hq Inf Div and Army Bks Cent AL-1		42-53-20N 129-30-00E	0204	Inf	Div Hq	X	42 CT		
20	Sandaowan Mil Tent Camp		43-04-45N 129-15-00E	0409	Tk	Regt		None discernible	80 type 59 Tk, 14 APC 6 37MM AAA, 5 ARV	21 med tanks were seen here, one time only, on Camp has now been completely Interim NBRG shows only ptn. Full ptn btn never seen new AAA regt is adjacent to ptn
21	Yanji Army Bks NNE AL-2		42-54-54N 129-30-49E	0039 0211	Ptn AAA	Bn Regt	X X	2 powerboats, 7 ptn sects 15 37 MM AAA, 9 ZPU	2 Powerboats, 18 TPP 18 37MM AAA, 24 57MM AAA 9 ZPU	
22	Erdaogou Army Bks AL-3		42-48-31N 129-04-18E	0484	Arty	Regt	X	11 FA, 12 mortar	12 122MM How, 12 160MM mortar 21 MRL, 18 85MM FG, 18 100MM FG	
23	Yanji-Xian Army Bks (formerly Lung-ching-tsun Army Bks W AL-1)		42-45-42N 129-23-41E	0610	Inf	Regt	X	None discernible		Extensive construction has occurred. The three bn areas have approximately doubled in size
24	Tumen Army Bks N AL-1		42-58-12N 129-51-07E	0611	Inf	Regt	X	9 CT		
25	Helong Army Bks AL-1		42-33-32N 129-00-45E	0612	Inf	Regt	X	4 CT		

** Pinyin transliteration not available

APC
ARV
AV
CT

Armored Personnel Carrier
Armored Recovery Vehicle
Armored Vehicle
Cargo Truck

DEF
FA
FG

Defensive
Field Artillery
Field Gun

HOW
MORT
MRL

Howitzer
Mortar
Multiple Rocket Launcher

MT
PTN
TK

Motor Transport
Ponton
Tank

ABBREVIATIONS USED IN TABLE 1

REFERENCES

IMAGERY

(TSR) All applicable KEYHOLE imagery acquired through [redacted] was used in the preparation of this report. 25X1

DOCUMENTS

- 1. CIA/OSR. Project [redacted] CPLA Unit Assessments, 31 Jan 80 (TOP SECRET [redacted]) 25X1
[redacted] 25X1
- 2. NSA. 3/0034905-74 (CCM), *The Chinese People's Liberation Army: Ground Forces*, 20 Dec 74 (TOP SECRET [redacted]) 25X1
- 3. CIA/OIA. [redacted] IS 78-10128J, *Imagery Analysis Memorandum: Unit Analysis of the 68th Army, Shenyang Military Region, China*, 26 May 78 (TOP SECRET [redacted]) 25X1
25X1
- 4. DIA. DDB-1100-201-79-SI, SI-271322/79, *Combined Ground Order-of-Battle (GOB) China (CH) (U)*, Aug 79 (TOP SECRET [redacted]) 25X1

RELATED DOCUMENT

DIA. DDB-1100-209-79, *Tables of Organization and Equipment (TOE), People's Republic of China (PRCA) (U)*, Sep 79 (SECRET)

Top Secret



Top Secret