

ABDULLAYEV, A.A., (Baku)

Pneumatic data transmitter. Avtom. i telem. 17 no.8:758-759
AG '56.

(MLRA 9:10)

(Pneumatic control)

ABDULLAYEV, A.A

USSR/Processes and Equipment for Chemical Industries - K-2
Control and Measuring Devices. Automatic Regulation.

Abs Jour : Ref Zhur - Khimiya, No 2, 1957, 6998

Author : Abdullayev, A.A.

Inst :

Title : Pneumatic Signum Data Unit

Orig Pub : Avtomatika i telemekhanika, 1956, 17, No 8, 759-760

Abstract : Brief description of an O4 regulator converted to a pneumatic transfer pneumatic data unit reactive to the sign of pressure derivative. In the primary relay of the regulator the following changes have been made: the spring has been removed from the shutter, a shutter arresting device has been installed, the pin of the three-arm lever has been replaced by a permanent magnet. The magnet is installed in such a manner as to effect a slight friction between it and the shutter which in this instance is made from a magnetic material.

Card 1/2

USSR/Processes and Equipment for Chemical Industries - K-2
Control and Measuring Devices. Automatic Regulation.

Abs Jour : Ref Zhur - Khimiya, No 2, 1957, 6998

A detailed description is given of the operation
principle of the modified "nozzle-shutter" unit.

Card 2/2

AMIROV, A.D.; ABDULLAYEV, A.A.; BEKHBUTOV, V.G.; KULIYEV, I.Sh.; PROK,
I. Yu.

Present status and prospects for the development of automation
of petroleum production processes in Azerbaijan fields. Azerb.
neft.khoz. 38 no.12:18-21 D'59. (MIRA 13:10)
(Azerbaijan--Oil fields--Production methods) (Automatic control)

ABDULLAYEV, A.A.; GINZBURG, M.Ya.; VLADIMIRSKIY, A.I.; GEFTLER, L.M.

Expedient changes in the system of technological flow in
gas-condensate wells. Gas.prom. 5 no.3:10-13 Mr '60.
(MIRA 13:6)

(Condensate oil wells)

ABDULIAYEV, A.A., inzh.; NABIYEV, I.A., inzh.; CHERAREV, A.I., inzh.

Contactless pressure transmitter with a watch mechanism for a
time-pulse system of remote control. Mekh.i avtom.proizv. 14
no.14:34-35 D '60. (MIRA 13:12)

(Remote control)

5.1400, 16.9500

77833
SOV/103-21-2-13/14

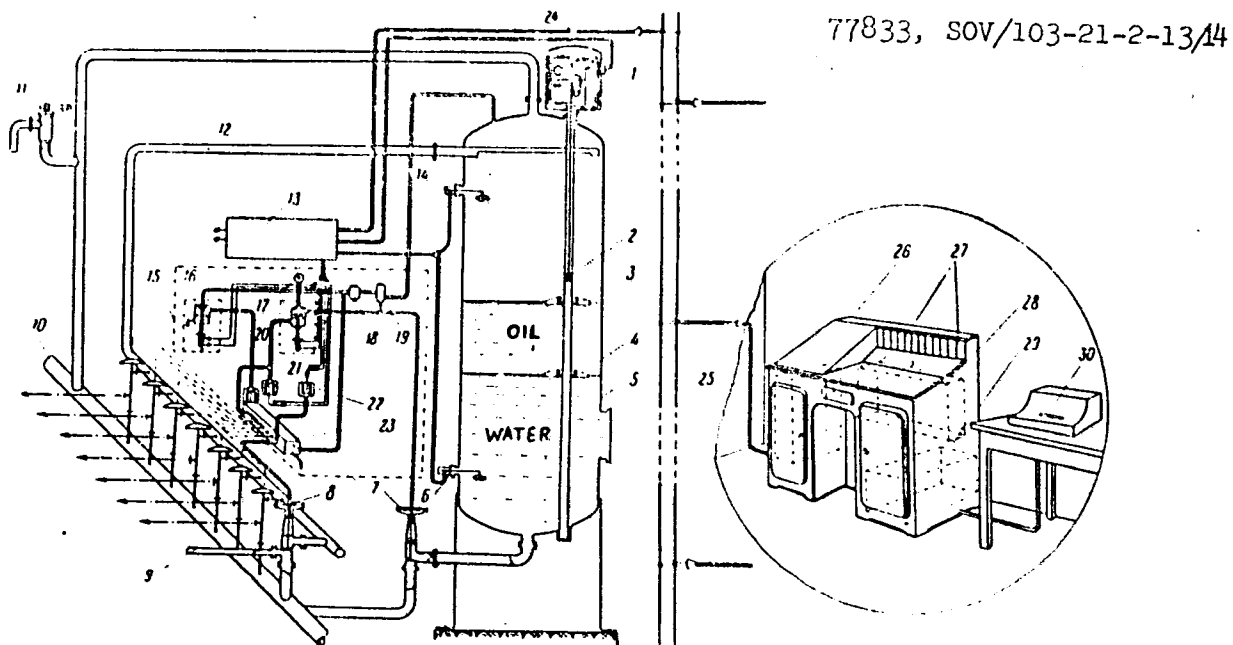
AUTHOR: Abdullaev, A. A., Nablev, I. A. (Baku)

TITLE: System of Automatic Telemetering of Oil Well Outputs

PERIODICAL: Avtomatika i telemekhanika, 1960, Vol 21, Nr 2, pp 266-270 (USSR)

ABSTRACT: A system of automatic measurement of the amounts of water and oil in the output of oil wells is described. The metering results obtained are transferred to the dispatch control desk where they are registered on a special card. Each measuring trap services 8 wells. A diagram of the telemetering system is given in Fig. 2. The input flow of oil (tube 9) into the metering container (5) is regulated by one of eight diaphragm-performing elements (8) controlled by compressed gas. The measurement of levels of oil and water in the metering container is carried on by the level pickup (1) with two floats (3) and (4), which have permanent magnets and can move along the vertical brass tube.

Card 1/4



Card 2/4

Fig. 2. (Caption on Card 3/4)

System of Automatic Telemetering
of Oil Well Outputs

77833
SOV/103-21-2-13/14

Key to Fig. 2: (1) Level pickup; (2) indicator; (3) float; (4) float; (5) metering container; (6) indicator of zero level; (7) main valve; (8) diaphragm-performing element; (9) tube of input flow of oil; (10) main header; (11) pipe; (12) electrical block consisting of relay equipment; (14) emergency indicator; (16) electropneumatic valve; (17) manometer; (18) pressure reducer; (19) filter; (20) electropneumatic valve; (21) pneumatic-electrical converter; (23) pneumatic step distributor; (25) programming arrangement; (26) commutator of programming arrangement; (27) control panel; (28) relay equipment; (29) generator of fixed frequencies; (30) output recording device.

Fig. on Card 2/4.

Inside this tube is an indicator (2) driven by synchronous motor of the pickup. Block (13) consists of relay equipment controlling the operation of the system. The recording device (30) is a numerical printing device registering continuously the numbers of the meter

Card 3/4

ABDULLAYEV, A. A.

PHASE I BOOK EXPLOITATION SOV/5592

Vsesoyuznoye soveshchaniye po vnedreniyu radioaktivnykh izotopov i yadernykh izlucheniya v narodnom khozyaystve SSSR. Riga, 1960.

Radioaktivnyye izotopy i yadernyye izlucheniya v narodnom khozyaystve SSSR; trudy Vsesoyuznogo soveshchaniya 12 - 16 aprelya 1960 g. g. Riga, v 4 tomakh. t. 4: Peiski, razvedka i razrabotka poleznykh iskopayemykh (Radioactive Isotopes and Nuclear Radiation in the National Economy of the USSR; Transactions on the Symposium Held in Riga, April 12 - 16, 1960; in 4 volumes. v. 4: Prospecting, Surveying, and Mining of Mineral Deposits) Moscow, Gostoptekhizdat, 1961. 284 p. 3,640 copies printed.

Sponsoring Agency: Gosudarstvennyy nauchno-tekhnicheskiy komitet Soveta Ministrov SSSR. Gosudarstvennyy komitet Soveta Ministrov SSSR po ispol'zovaniyu atomnoy energii

Eds. (Title page): N. A. Petrov, L. I. Petrenko, and P. S. Savitskiy; ed. of this volume: M. A. Speranskiy; Scientific ed.: M. A. Speranskiy; Executive Eds.: N. N. Kuz'mina and A. G. Ionel';

Card 1/11

Radioactive Isotopes and Nuclear (Cont.)

107
SGV/5592

Tech. Ed.: A. S. Polosina.

PURPOSE: The book is intended for engineers and technicians dealing with the problems involved in the application of radioactive isotopes and nuclear radiation.

COVERAGE: This collection of 39 articles is Vol. 4 of the Transactions of the All-Union Conference of the Introduction of Radioactive Isotopes and Nuclear Reactions in the National Economy of the USSR. The Conference was called by the Gosplanstvennyy nauchno-tekhnicheskiy komitet Sovet Ministrov SSSR (State Scientific-Technical Committee of the Council of Ministers of the USSR), Academy of Sciences USSR, Gosplan SSSR (State Planning Committee of the Council of Ministers of the USSR), Gosstatstvennyy komitet Soveta Ministrov SSSR po avtomatizatsii i mashinostroyeniyu (State Committee of the Council of Ministers of the USSR for Automation and Machine Building), and the Council of Ministers of the Latvian SSR. The reports summarized in this publication deal with the advantages, prospects, and

Card 2/11

Radioactive Isotopes and Nuclear (Cont.)

SOV/5592

development of radioactive methods used in prospecting, surveying, and mining of ores. Individual reports present the results of the latest scientific research on the development and improvement of the theory, methodology, and technology of radiometric investigations. Application of radioactive methods in the field of engineering geology, hydrology, and the control of ore enrichment processes is analyzed. No personalities are mentioned. There are no references.

TABLE OF CONTENTS:

Alekseyev, P. A. Present State and Future Prospects of Applying the Methods of Nuclear Geophysics in Prospecting, Surveying, and Mining of Minerals	5
Bulashovich, Yu. P., G. M. Voskoboynikov, and L. V. Muzuyukin. Neutron and Gamma-Ray Logging at Ore and Coal Deposits	19
Gordeyev, Yu. I., A. A. Mukher, and D. M. Srebrcdol'skiy. The	

Card 3/11

14

Radioactive Isotopes and Nuclear (Cont.)	SOV/5592	
Problems		133
Zolotov, A. V. Critical Dimensions of an Artificial Bed for the Simulation of Radioactive Methods of Borehole Investigation		139
Sokolov, M. M., A. P. Ochkur, A. A. Fedorov, A. Yu. Bol'shakov, and P. P. Khitev. Application of the Method of Scattered Gamma Radiation for the Investigation of Ore Holes		146
Mezhiborskaya, Kh. B. Radioactivation (Photoneutron) Method for Determining Beryllium		154
Yakubson, K. I. On the Possibility of Activation by Fast Neutrons Under Borehole Conditions		157
Sen'ko, A. K. Photoneutron Method of Prospecting, Exploration, and Sampling of Beryllium Ores		163
<u>Abdullayev, A. A., Ye. M. Lobanov, A. P. Novikov, and A. A.</u> Card 7/11		

14

Radioactive Isotopes and Nuclear (Cont.)	SOV/5592	
Khaydarov. Certain Methods for the Interpretation of the Complex Gamma Spectra in Analyzing the Activated Samples of Rocks		172
Yakubovich, A. L., and Ye. I. Laytsev. Plant of the "Neutron" Type and Its Possible Utilization for the Analysis of the Material Composition of Rocks		180
Yakubovich, A. L., and V. Yu. Zaleskiy. Roentgenoradiometric Method and Equipment for Accelerated Analysis of the Chemical Composition of a Substance		187
Narbutt, K. I., R. L. Barinskiy, and I. S. Smirnova. Application of Nuclear Radiation in Roentgenospectral Analysis		198
Abramyan, S. L., S. M. Aksel'rod, and L. A. Futkaradze. Application of Radioactive Isotopes and Nuclear Radiation for the Investigation of Boreholes in Azerbaydzhan		201
Shnurman, G. A. Experience With Radiometric Investigations		
Card 8/11		

Radioactive Isotopes and Nuclear (Cont.)	SOV/5592	16
of Microcomponents of Natural Waters		255
Bolyanova, Ye. M., K. A. Kuznetsova, I. D. Myaskevskaya, P. P. Puznyev, and D. A. Sokolov. Preventive Control of the Drilling Tool Escape From a Coal Seam While Drilling Inclined Boreholes in Lean Seams		260
Abdullayev, A. A., Ye. M. Lobanov, A. P. Novikov, and A. A. Khaydarov. Rapid Determination of the Percentage of Lead in Ores and Concentrates		267
Plaksin, I. N., V. N. Smirnov, and L. P. Starchik. Application of Alpha Radiation for the Automatic Regulation of the Material Composition of Enrichment Products of Certain Ores		270
Lenin, S. S. Scintillation Emanometers		276

Card 10/11

ABDULLAYEV, A.A.; ALIYEV, T.M.; ASLANOV, M.M.; YEDUSH, V.Ya.; MAL'YAN, V.M.;
NABIYEV, M.A.; TER-KHACHATUROV, A.A.

ChTP-1 remote control and dispatcher control system for beam
wells. Azerb. neft. khoz. 40 no.9:39-41 S '61. (MIRA 15:1)
(Oil wells--Electronic equipment)
(Remote control)

ABDULLAYEV, Asker Alekperovich; VLADIMIRSKIY, Abram Iosifovich;
GEPTLER, Leonid Mikhailovich; GINZBURG, Mark Yakovlevich;
GUSEYNOV, Chingiz Saibovich; ZUBAREVA, Ye.I., ved. red.;
POLOSINA, A.S., tekhn. red.

[Automation of gas pipelines in foreign countries] Avtomati-
zatsia magistral'nykh gasoprovodov za rubezhom. Moskva,
Gostoptekhzdat, 1962. 109 p. (MIRA 16:3)
(Gas, Natural--Pipelines) (Automation)

metody elektricheskikh izmereniy, izudy avtomaticheskikh
cheskikh izmereniy. Tsifrovyye izmeritel'nyye pribory. Elementy izmeritel'nykh
sistem (Automatic control and electrical measuring techniques; transactions of

1970

1970

1970

1970

ABDULLAYEV, A. A.; GRANOVSKIY, M. S.; NABIYEV, I. A.; FEYDER, A. M.

Transmitting code-pulse telemetering device. Priborostroenie
no.10:14-15 0 '62. (MIRA 15:10)

(Telemetering)

ABDULLAYEV, A.A.; NABIYEV, I.A.; CHEBAREV, A.I.

Long-period pulse-time telemetering system with a noncontact converter. Izv. vys. ucheb. zav.; neft' i gaz 5 no.11:95-99 '62.
(MIRA 17:6)

1. Azerbaydzhanskiy institut nefti i khimii imeni M. Azizbekova i Nauchno-issledovatel'skiy i proyektnyy institut po kompleksnoy avtomatizatsii proizvodstvennykh protsessov v neftyanoy i khimicheskoy promyshlennosti.

S/103/62/023/003/014/016
D201/D301

AUTHORS: Abdullayev, A.A., and Nabiyeu, I.A. (Sungait)
TITLE: Elements of a pulse-time telemetering system
PERIODICAL: Avtomatika i telemekhanika, v. 23, no. 3, 1962,
398 - 406

TEXT: A survey of some of the instruments designed for the mechanization and telemetering of oil industry objects at the Nauchno-issledovatel'skiy i proyektnyy institut, Neftekhimavtomat (Scientific, Research and Design Institute, 'Neftekhimavtomat') in conjunction with the Kafedra elektroizmereniy i avtomatiki Azerbaydzhanskogo instituta nefti i khimii im. Azizbekova (Department of Electrical Measurements and Automation of the Azerbaydzhan Oil and Chemistry Institute im. Azizbekov). The following parts of the pulse-time telemetering system are briefly discussed: An electro-mechanical pressure gauge, the operation of which is based on the transformation of the angle of rotation into a current pulse, the differential-transformer circuit differential manometer type EM-6 (DM-6); ✓

Card 1/2

Elements of a pulse-time ...

S/103/62/023/003/014/016
D201/D301

spring or gas pressure movement pressure gauges, the spring of which has to be wound once in 460 days in normal operational conditions. In the gauge with gas-pressure movement the same spring is wound by a special mechanism operated by gas under pressure. Level gauge type Y-6 (U-6), for measuring levels of two liquids having different s.g. It operates on the principle of transforming a uniform movement of the indicator into current pulses. For recording telemetering data in the form of graphs, a recorder, based on the ~~STP~~ -09 (EPP-09) was developed. Another recorder, PTU-60 (RTTs-60) has been developed for digital recording of parameters in pulse-time telemetering systems, with a measurement period of 30 sec. The RTTs-60 is transistorized, consists of the control unit, printing attachment and power supply unit. There are 7 figures. ✓

SUBMITTED: October 14, 1961

Card 2/2

ABDULLAYEV, A.A.; AMIROV, A.D.; BEKHEUDOV, V.G.; SULEYMANOV,
A.B.; SHTEYNGEL', A.S., red.; TOROSYAN, R., tekhn.red.

[General automatic control and remote control in Baku oil
fields] Kompleksnaia avtomatizatsiia i ~~tele~~mekhanizatsiia
na bakinskikh neftepromyslakh. Baku, Azerneshr, 1963.
100 p. (MIRA 17:3)

ABDULLAYEV, A.A.; NABIYEV, I.A.; ASLANOV, M.M., red.; RASHEVSKAYA,
T.A., red.izd-va; AKHMEDOV, S., tekhn.red.

[System of automatic remote control measurement of the yield
of oil wells] Sistema avtomaticheskogo teleizmereniia debita
neftianykh skvazhin. Baku, Azerbaidzhanskoe gos.izd-vo,
1963. 207 p. (MIRA 16:12)
(Remote control) (Petroleum production)

L 19017-63

BDS/EPF(c)/EWT(m)

Pr-4

RM/WW/MAY

ACCESSION NR: AP3006221

S/0118/63/000/008/0006/0007

AUTHOR: Abdullayev, A. A.; Israilov, Sh. I.; Oganov, K. A.;
Savicheva, R. N. (Engineers)

TITLE: Optimizing the process of butane dehydrogenation in a fluidized bed

SOURCE: Mekhanizatsiya i avtomatizatsiya proizvodstva, no. 8, 1963, 6-7

TOPIC TAGS: butane dehydrogenation, fluidized bed, optimization

ABSTRACT: The process of butane dehydrogenation is described; it depends on these factors: raw material composition, pressure and temperature in the reaction zone, space velocity (time of contact between the raw material and the catalyst), and catalyst activity. It was found that the butylene yield largely depends on the temperature and space velocity; they are controlled by an experimental automatic-control system which uses the variable component of the production cost of butylene as the controlling parameter. A computer

Card 1/2

L 19017-63

ACCESSION NR: AP3006221

continuously evaluates the production cost and feeds into an optimization controller which searches for optimum conditions by varying the temperature and space velocity. The optimizer cuts in once every 6-8 hrs and also upon an abrupt change of conditions. Orig. art. has: 2 figures.

ASSOCIATION: Institut neftekhimicheskikh protsessov AN Azerbaydzhan SSR
(Institute of Petrochemical Processes, AN Azerbaydzhan SSR)

SUBMITTED: 00

DATE ACQ: 23Sep63

ENCL: 00

SUB CODE: CH, IE

NO REF SOV: 000

OTHER: 000

Card 2/2

ABDULLAYEV, A.A.; KOPYSITSKIY, T.I.; LEYTMAN, Yu.S.; MAMED-ZADE, A.G.;
KHALDEY, Z.V.

Temperature-control system for a catalytic-cracking reactor
with a finely divided catalyst. Neftoper. i neftekhim. no.8:19-22
'63. (MIRA 17:8)

1. Nauchno-issledovatel'skiy i proyektnyy institut po kompleksnoy
avtomatizatsii proizvodstvennykh protsessov v neftyanoy i khimi-
cheskoy promyshlennosti, g. Baku.

ABDULLAYEV, A.A.; ALIYEV, T.M.; ASLANOV, M.M.; MAL'YAN, V.M.; TER-KHACHATUROV,
A.A.

Control system for the introduction of remote control in oil wells. Mash. i neft. obor. no.11:10-17 '63 (MIRA 17:7)

1. Nauchno-issledovatel'skiy i proyektnyy institut po kompleksnoy avtomatizatsii proizvodstvennykh protsessov v neftegany i khimicheskoy promyshlennosti.

ABDULLAYEV, A.A., inzh.; ISRAILOV, Sh.I., inzh.; OGANOV, K.A., inzh.;
SAVICHEVA, R.N., inzh.

Optimizing the process of butane dehydration in a fluidized
bed. Mekh. i avtom. ~~prilozh.~~ 17 no.8:6-7 Ag '63.
(MIRA 16:10)

ABDULLAYEV, A.A., kand.tekhn.nauk; NABIYEV, I.A., kand.tekhn.nauk; YUSIFOV, A.A.,
Inzh.

Telemetering system of scanning conversion. Mekh. i avtom.proizv. 17
no.10:22-24 0 63. (MIRA 17:1)

ABDULLAYEV, A.A.; ALIZADE, F.A.

Certain problems in the automatic control of the exploitation of
an oil field. Izv. vys. ucheb. zav.; nef't' i gaz 7 no.5:100-104
1964.

(MIRA 17:9)

1. Azerbaydzhanskiy institut nef'ti i khimii im. M. Azizbekova i
Nauchno-issledovatel'skiy i proyektnyy institut po kompleksnoy
avtomatizatsii proizvodstvennykh protsessov v nef'tyanoy i khimicheskoy
promyshlennosti.

ABDULLAYEV, A.A.; KAPLAN, G.A.; MAL'TSEV, V.I.; SHLYAKHOVSKIY, I.D.

Using mathematical methods to determine the optimal blending formula for aircraft gasolines. Khim. i tekhn. topl. i masel 9 no.12:51-56 D '64. (MIRA 18:2)

1. Nauchno-issledovatel'skiy i proyektnyy institut po kompleksnoy avtomatizatsii proizvodstvennykh protsessov v neftyanoy i khimicheskoy promyshlennosti i GK PTK.

ABDULLAYEV, A.A., kand.tekhn.nauk; NABIYEV, I.A., kand.tekhn.nauk; BZHAYALOV,
A.A., inzh.; ISAYEV, D.G., inzh.; YUSIFOV, A.A., inzh.

Converter of the time-pulse telemetering system with electric
power compensation. Mekh. i avtom.proizv. 19 no.3:15-17 Mr '65.
(MIRA 18:4)

L 27687-66

ACC NR: AP6005611

SOURCE CODE: UR/0233/65/000/003/0096/0102

AUTHOR: Abdullayev, A. A.; Baranovskiy, V. Yu.

63
B

ORG: none

TITLE: Calculation of thermal parameters of structural elements of semiconductor devices

SOURCE: AN AzerbSSR. Izvestiya. Seriya fiziko-tekhnicheskikh i matematicheskikh nauk, no. 3, 1965, 96-102

TOPIC TAGS: semiconductor device, transistor, heat capacity

ABSTRACT: P. R. Strickland's thermoequivalent circuit for calculating thermal parameters of semiconductor devices (IBM j. Res. Dev., no. 1, 1959) is held inadequate. A new thermoequivalent circuit with L-shaped RC-sections is suggested. An experimental cooling curve of a p-n junction is known; its equation is:

$\theta'(t) - \theta_0 = \sum_{i=1}^n \theta_i e^{-\rho_i t}$ The thermal quantities are replaced with electric, which

Card 1/2

L 27687-66

ACC. NR. AP6005611

results in: $U(t) - E_0 = \sum_{i=1}^n \theta_i e^{P_i t}$. A system of $2n$ equations with $2n$ unknowns is set up for determining real values of R_i and C_i on the basis of known θ_i and P_i (from the cooling curve). Solution of this system yields true values of thermal resistances and heat capacities of structural elements of a semiconductor device. A practical example illustrates the method. Orig. art. has: 3 figures, 30 formulas, and 1 table.

SUB CODE: 09 / SUBM DATE: 26Jul64 / ORIG REF: 002 / OTH REF: 001

Card 2/2 CC

1. A. G. ABDALLAYEV
2. USSR (600)
4. Azerbaijan - Tropical Plants
7. Trying out some subtropical plants in Azerbaijan. Sad i og. no. 12. 1952.

9. Monthly List of Russian Accessions, Library of Congress, April 1953, Uncl.

ABDULLAYEV, A. G.

Dissertation: "Introduction of Forage Land-Enrichment Crops in Azerbaydzhan," Cand Biol Sci, Azerbaydshan Agricultural Inst, 14 May 54. Bakinskiy Rabochiy, Baku, 6 May 54.

SO:: SUM 284, 26 Nov 1954

ABDULAYEV, A. G.

USSR/ Biology - Botany

Card 1/1 Pub. 86 - 20/42

Authors : Abdulayev, A. G., Can. Biol. Sc. (Azerbaijan Scientific-Research Institute of Perennial Plants)

Title : Subtropical plants in Azerbaijan

Periodical : Priroda 45/1, 102-104, Jan 56

Abstract : An account is given of experimentation carried on by the Azerbaijan Scientific-Research Institute of Perennial Plants in the adaptation and growing of subtropical fruits, vegetables and nuts. The effects of temperature and different kinds of soil are stated and the methods of planting and cultivating described. Illustrations.

Institution :

Submitted :

L 05002-67 EWT(m)/T DJ

ACC NR: AR6031161 (A,N) SOURCE CODE: UR/0081/66/000/015/P038/P038

AUTHOR: Kuliyev, A. M.; Abdullayev, A. G.; Zeynalova, G. A. 13
B

TITLE: Synthesis of pour point depressants^v by condensation of alkyl-phenols and alkyl- β -naphthols with formaldehyde

SOURCE: Ref. zh. Khimiya, Part II, Abs. 15P249

REF SOURCE: Uch. zap. Azerb. un-t. Ser. khim. n., no. 4, 1965, 47-52

TOPIC TAGS: pour point depressant, automotive oil

ABSTRACT: Pour point depressants have been synthesized by condensation of mono- or dicetyl derivatives of phenol and β -naphthol with formaldehyde. The products contained different numbers of aromatic rings linked by methylene groups. The effectiveness of the depressants was tested in automotive oils. It was shown that the condensation products depress the pour point of the oils more than the respective initial alkyl derivatives. [BO]

SUB CODE: 11,07/SUBM DATE: none

Card 1/1 *llh*

ABDULLAEV, A. I.

Dissertation: "An Investigation of the Esters of Dimethylene Ethyleneglycol." Cand
Chem Sci, Moscow Order of Lenin State U imeni M. V. Lomcnosov, 23 Jun 54. (Vechern-
yaya Moskva, Moscow, 14 Jun 54)

SO: SUM 318, 23 Dec 1954

MAMEDOV, Shamkhal.; ABDULLAYEV, A.I.

Synthesis of dialkoxymethyl ethers of tetraarylethylene glycol.
Trudy Inst.khim.AN Azerb.SSR 15:99-105 '56. (MLBA 9:11)
(Ethylene glycol) (Ethers)

ZUL'FUGARLY, D.I.; ABDULLAYEVA, M.I.; ABDULLAYEV, A.I.

Occurrence of cobalt in Azerbaijan soils. Uch. zap. AGU. Fiz.-
mat. i khim. ser. no.4:69-72 '59. (MIRA 16:6)

(Azerbaijan--Cobalt)

Алиев, Г.Г.; Абдуллаев, А.А.

New method of synthesizing dibromodimethyl ether of ethylene glycol. Uch. zap. AGU. Ser. khim. nauk no.4:27-30 '63.

(MIRA 17:11)

ABDULLAYEV, A.Kh., Cand Med Sci —(diss)"Treatment of syphilitic patients with monon^{vo}ocillin, bismuth, mercury, without arsenic preparations and ^(in contrast)with arsenic." Tashkent, 1959. 20 pp (Tashkent State Med Inst), 300 copies (KI,27-59,122)

-55-

MATVEYEV, V.N., kand.med.nauk; ABDULLAYEV, A.Kh., kand.med.nauk;
KHIDYROV, Kh.N., kand.med.nauk; ABDUSAMATOV, A.A., nauchnyy
sotrudnik

Treatment of syphilis with bicillin-3. Vest.derm.i ven. no.11:
46-50 '61. (MIRA 14:11)

1. Iz Uzbekskogo nauchno-issledovatel'skogo kozhno-venerologi-
cheskogo instituta (dir. -- dotsent V.N. Matveyev).
(SYPHILIS) (BICILLIN---THERAPEUTIC USE)

ALIYEVA, S.G.; ABDULLAYEV, A. Kh.

Technique of Treponema pallidum immobilization reaction. Lab.
delo 8 [i.e.9] no.1:35-39 Ja '63. (MIRA 16:5)

1. Uzbekskiy nauchno-issledovatel'skiy kozhno-venerologicheskiy institut (direktor - dotsent V.N.Matveyev).
(SYPHILIS—DIAGNOSIS)

ALIYEVA, S.G., kand.med.nauk; ABDULLAYEV, A.Kh., kand.med.nauk

Use of the Treponema immobilization reaction for the diagnosis
of syphilis. Vest. dermat. i ven. 37 no.2:60-65 F'63.

(MIRA 16:10)

1. Iz Uzbekskogo nauchno-issledovatel'skogo kozhno-venerologicheskogo instituta (dir. - dotsent V.F.Matveyev)

*

ABDULLAYEV, A.Kh., kand.med.nauk

Treatment of psoriasis with phonurit and hypothiazide. Vest.derm.
i ven. 37 no. 10:38-42 O '63. (MIRA 17:9)

1. Uzbekskiy kozhno-venereologicheskiy institut (dir. - dotsent
V.N.Matveyev).

ABDULLAYEV, A.M. (Leningrad, ul. Botkina, d.15, korr.438)

Late results of inguinal hernioplasty with Pappa-Herzen technic
[with summary in English, p.159]. Vest.khir. 78 no.3:72-78 Mr '57,
(MLRA 10:6)

1. Iz khirurgicheskoy kliniki usovershenstvovaniya vrachey
(nach. - prof. P.A.Kupriyanov). Voenno-meditsinskoy ordena Lenina
Akademii im. S.M.Kirova.

(HERNIA, INGUINAL, surg.

hernioplasty, Pappa-Herzen technic. follow-up (Rus))

ABDULLAYEV, A.M.; NARIMANOV, A.A.

Development of the gas industry of the Azerbaijan S.S.R. in
1959-1961. Gaz. prom. n^o.10:29-31 0 '61. (MIRA 14:11)
(Azerbaijan--Gas industry)

04.6700

37545

S/048/62/026/005/009/022
B108/B104

AUTHORS: Azimov, S. A., Abdullayev, A. M., Myalkovskiy, V. M., and Yuldashbayev, T. S.

TITLE: Dependence of the mean energy portion transferred to π^0 -mesons on the primary-particle energy in the range 10^{11} - 10^{12} ev

PERIODICAL: Akademiya nauk SSSR. Izvestiya. Seriya fizicheskaya, v. 26, no. 5, 1962, 613-617

TEXT: The dependence of the coefficient of inelasticity on the primary-particle energy in the range of 10^{11} - 10^{12} ev was studied with an arrangement of Cherenkov and hodoscope counters and Grigorov's "calorimetric method" (Tr. Mezhdunarodnoy konferentsii po kosmicheskim lucham, v. 1, Izd. AN SSSR, M., 1960). The amount of energy transferred to π^0 -mesons in the first interaction process was determined from measurements of the number of relativistic particles in the electron-photon shower under the lead shield. The measurements were made with counter II (Fig. 1). The coefficient of inelasticity varies considerably. Its mean value at $> 10^{11}$ ev is

Card 1/2

S. A.; ABDULLAYEV, A. M.; MYALKOVSKIY, A.M.; YULDASHBAYEV, T. S.; POLEVA, YU. V

Investigation of Inelasticity of Interactions of Cosmic Ray Particles with Fe and C
in 1011 1012ev Energy Region.

Report submitted for the 8th Intl. Conf. on Cosmic Rays (IUPAP) Jaipur, India,
2-14 Dec 1963.

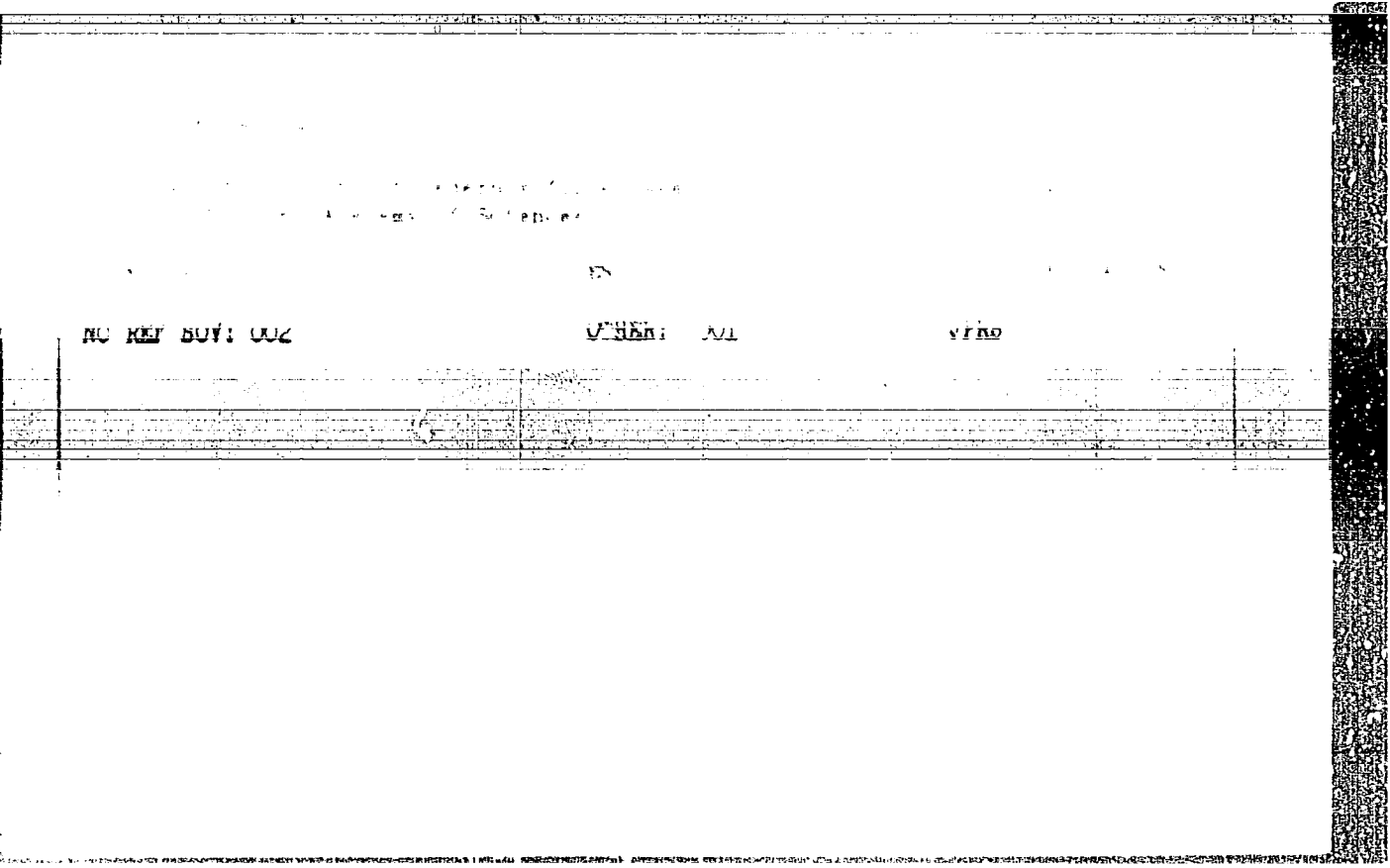
"APPROVED FOR RELEASE: 04/03/2001

CIA-RDP86-00513R000100110020-6

APPROVED FOR RELEASE: 04/03/2001

CIA-RDP86-00513R000100110020-6"

[The text in this block is extremely faint and illegible due to the quality of the scan. It appears to be a large block of text, possibly a list or a series of paragraphs, but the individual words and sentences cannot be discerned.]



NO KEY BU: 002

OTHER: 001

STRO

ABDULLAYEV, A.M.

Some characteristics of the activity of the cardiovascular system in thyrotoxicosis under the climatic conditions of Baku. Azerb. med. zhur. 42 no.8:9-12 Ag '65. (MIRA 18:11)

1. Iz: Ukrainskogo instituta eksperimental'noy endokrinologii, Khar'kov, sektora fiziologii AN AzerbSSR i kafedry fakul'tetskoy terapii I Azerbaydzhanskogo gosudarstvennogo meditsinskogo instituta imeni Narimanova.

ABDULLAYEV, A.M., aspirant

Effect of meteorological conditions on the cardiovascular system
in thyrotoxicosis under the climatic conditions of Baku. Azerb.
med. zhur. 41 no. 11:79-81 N '64. (MIRA 18:12)

1. Submitted Jan. 4, 1964.

L 00/10-07 EWT(1) JK

ACC NR: AP6034115 (A,N) SOURCE CODE: UR/0358/66/035/005/0601/0602

AUTHOR: Abdullayev, A. M.; Konmynin, A. P.; Bntuyev, S. B. 26
B

ORG: Division of Medical Helminthology, Institute of Medical Parasitology and Tropical Medicine im. Ye. I. Martainovskiy, Ministry of Public Health SSSR, Moscow (Otdel meditsinskoy gel'mintologii Instituta meditsinskoy parazitologii i tropicheskoy meditsiny Ministerstva zdravookhraneniya SSSR); Central Hospital of the Yeravninsk Region, Buryat ASSR (Tsentral'naya bol'nitsa Yeravninskogo Aymaka Buryatskoy ASSR).

TITLE: Test operation of an experimental movable helminthological clinic

SOURCE: Meditsinskaya parazitologiya i parazitarnyye bolezni, v. 35, no. 5, 1966, 601-602

TOPIC TAGS: helminth disease, epidemiology, public health, movable clinic, animal parasite, intestinal disease, medical facility, disease control

ABSTRACT: A movable helminthological clinic consisting of suitable equipment and drugs and staffed by a doctor, a technician and one or two nurses was effective in the control of a recent outbreak of helminthological diseases. As it could arrive at sites of infection more quickly, it was more effective than a fixed station, and it also handled

Card 1/2

UDC: 616.995.1:362.113(571,54)

L 08710-67

ACC NR: AP6034115

patients faster. Local public health workers were able to gain valuable
experience from operating this type of mobile clinic. [W.A. 50]

SUB CODE: 06/ SUBM DATE: 06Jun66/ ORIG REP: 007

Cord 2/2 nst

ABDULLAYEV, A.P.; KEMINOV, R.M.

Lithological characteristics and oil and gas potential of the sediments of a producing formation on the Pirsagat area according to the data of well electrometry. Izv. vys. ucheb. zav.; neft' i gaz 8 no.2:7-9 1969. (MIRA 18:3)

1. Azerbaydzhanskiy Institut nefti i khimii im. M. Azisbekova.

ABDULLAYEV, A.R.

Rheumatic fever in infants and children of preschool age.
Pediatria 41 [i.e. 42] no.2:89-93 F '63. (MIRA 16:4)

1. Iz otdeleniya starshego detskogo vozrasta (zav. -
deystvitel'nyy chlen AMN SSSR prof. O.D.Sokolova-Ponomareva)
Instituta pediatrii (dir. M.Ya.Studenkin) AMN SSSR.
(RHEUMATIC FEVER) (CHILDREN--DISEASES)

NADEZHINA, Ye.A.; ABDULLAYEV, A.R.; MIYESEROVA, Ye.K.

Effect of gamma globulin on the indices of immunological activity in rheumatic fever in children of preschool age. Sov. med. 27 no.11:99-103 N '63 (MIRA 18:1)

1. Iz 1-y kliniki starshego vozrasta (zav. - deystvitel'nyy chlen AN SSSR prof. A.D. Sokolova-Fonomareva) i mikrobiologicheskoy laboratorii (zav. - prof. A.V. Mashkov) Instituta pediatrii (direktor - dotsent H. Ya. Studenikin) AN SSSR.

ABDULLAYEV, A. S.

Abdullayev, A. S. - "Study of the organic composition of smooth licorice of the Bardinskiy Rayon of the Azerbaydzhan SSR", Trudy Azerbaydzh. gos. un-ta im. Kirova, Biol. seriya, Vol. III, Issue 3, 1948, p. 46-50, - Bibliog: 5 items.

SO: U-3042, 11 March 1953, (letipis 'nykh Statey, No. 10, 1949).

ABDULLAYEV, A.S.

GASANOV, A.S.; ABDULLAYEV, A.S.; AGAKISHIBEKOVA, S.F.

Deposition of carotene in the liver as affected by the use of
Istisu mineral water. Uch.sap.agu no.6:57-61 '55. (MLRA 9:11)
(LIVER) (CAROTENE) (ISTISU--MINERAL WATERS)

GASANOV, A.S.; ABDULLAYEV, A.S.

Effect of istisu on the amount of glycogen in the liver, kidneys,
cardiac and skeletal muscles, and skin. Uch.zap.AGU no.3:59-62
'56. (MLRA 10:4)

(Istisu--Mineral waters) (Carbohydrates in the body)
(Glycogen)

ABDULLAYEV, A.S.; ALIYEVA, Z.N.

Effect of boron and manganese on the catalase activity of blood. Uch.
zap. AGU. Biol. ser. no. 3:13-16 '60. (MIRA 14:5)

(Boron—Physiological effect)

(Manganese—Physiological effect)

(Catalase)

ABDULLAYEV, A.Yu.

Some problems of gas supply to a series of cities and settlements
in Azerbaijan. Azerb.neft.khoz. 41 no.3:45-47 1tr '62.

(MIRA 15:8)

(Azerbaijan—Gas distribution)

ABDULLAYEV, A.Yu.

Certain problems in the economics of supplying gas to cities and
populated places in the Azerbaijan S.S.R. Gaz. pro . 7 no. 8: 34-
37 '62. (MIRA. 17:10)

SHIKHALIBEYLI, E.Sh.; GASANOV, T.A.; ABDULLAYEV, A.Z.

Upper Jurassic sediments in the Bazarchay basin portion
(Bergushetchay) of the Azerbaijan S.S.R. Izv. AN Azerb. SSR
Ser. geol.-geog. nauk i nefti no.5:43-50 '62.
(MIRA 16:6)
(Azerbaijan—Geology, Stratigraphic)

ABDULLAYEV, B.

Distribution of disseminated bitumens in the Cretaceous
sediments of the Surkhandarya trough. Uzb.geol.zhur. 8
no.3:29-33 '64. (MIRA 18:12)

1. Institut geologii i razrabotki neftyanykh i gazovykh
mestorozhdeniy Gosudarstvennogo geologicheskogo komiteta
SSSR. Submitted Febr. 24, 1964.

ABDULLAYEV, B.Z.; SHTEYNGEL', A.S., red.; MIRKISHIYEVA, S., tekhn.
red.

[Study and teach advanced practices]Uchit'sia i uchit' na pe-
redovom opyte. Baku, Azerneshr, 1962. 30 p. (MIRA 15:12)

1. Nachal'nik uchastka podzemnogo remonta skvazhin neftepromys-
lovogo upravleniya "Kirovneft'" (for Abdullayev).
(Azerbaijan—Oil wells—Maintenance and repair)

ABDULLAYEV, Ch.A.

Inductive flow gauge of a pulse-time remote-control system.
Izv. vys. uch. zav.; neft' i gaz 5 no.9:97-99 '62.

(MIRA 17:5)

1. Azerbaydzhanskiy institut nefti i khimii im. M. Azizbekova.

L 5322-66 EWP(a)/EWT(m)/EPP(c)/EWP(i)/EWP(j)/T/EWP(t)/EWP(k)/EWP(z)/EWP(h)/

ACC NR: AP5026273 ETC(m) JD/WW/DJ/RM

UR/0226/65/000/010/0056/0060

AUTHOR: Dorozhkin, N. N.; Abdullayev, Ch. G.

TITLE: Plastic-coated sintered bearing with a compensating oil reservoir

SOURCE: Poroshkovaya metallurgiya, no. 10, 1965, 56-60

TOPIC TAGS: roller bearing, plastic coating, wear material, antifriction bearing, lubrication

ABSTRACT: Porous sintered bearings fabricated by the powder-metallurgical method display the highly valuable ability to perform for a prolonged time span without additional lubrication, owing to the oil contained in their pores; hence also they often are termed self-lubricating bearings. However, their performance is satisfactory only if the characteristic product of PV is small; this is because the oil reserve of the porous bearing is small and may be entirely expended during the initial period of performance, and often even during the fitting period. To remedy this situation, and to increase the characteristic product of PV, the authors propose a new design of an inverted plastic-coated sintered bearing with a compensating reservoir assuring capillary self-regulation of lubricant supply (Fig. 1 of the Enclosure), with the following distinguishing features: to increase its wear resistance and load-carrying capacity, powdered-metal surface 2 is coated with a layer of plastic 1, with part of the surface, in the form of groove 4, remaining non-coated. The non-coated part 4

Card 1/3

L 5322-66

ACC NR: AP5026273

of powdered-metal surface serves as the channel for the admission of lubricant from compensating reservoir to the friction surface. The sintered base of the bearing consists of ZhG-2 (iron-graphite) material with a pearlitic structure, containing up to 20% ferrite and having a porosity of $20 \pm 1\%$. Its 0.25-0.35 mm thick plastic anti-friction coating consists of Kapron (Soviet nylon-like plastic) which was deposited on the sintered base in a fluidized bed. Tests of the performance of the new bearing in a friction machine with a revolving shaft established that the use of a bearing design combining a porous powdered-metal base with a plastic coating makes it possible to markedly increase the permissible characteristic product of PV and to assure a reliable performance of the bearing unit without replenishing the lubricant, owing to the availability of an oil store in the compensating reservoir. Orig. art. has: 3 figures.

ASSOCIATION: Tsentral'nyy nauchno-issledovatel'skiy institut mekhanizatsii i elektrifikatsii sel'skogo khozyaystva, Minsk (Central Scientific Research Institute of the Mechanization and Electrification of Agriculture)

SUBMITTED: 18Jan65

ENCL: 01

SUB CODE: IE, MM

NO REF SOV: 003

OTHER: 000

Card 2/3

L 5322-66

ACC NR: AP5026273

ENCLOSURE: 01

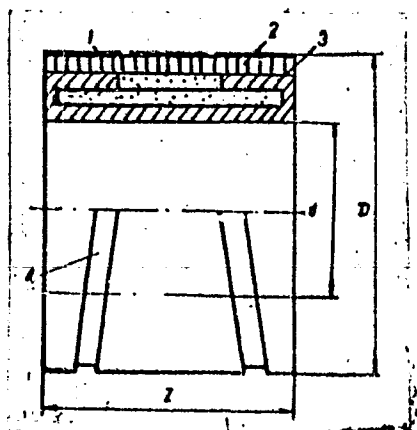


Fig. 1. Self-lubricating inverted plastic-coated sintered bearing with a compensating reservoir:

1 - plastic coating; 2 - sintered porous base; 3 - body with compensating reservoir; 4 - non-plastic-coated part of the sintered base

Card 3/3 *md*

L 3786-66 EWT(m)/EPF(c)/EWP(j) DJ/RM

ACCESSION NR: AP5023217

UR/0374/65/000/C04/0153/0155
678:669.018.29

AUTHOR: ^{AW.S} Abdullayev, Ch. G. (Minsk) /

TITLE: Investigation of antifriction properties of polyformaldehyde ¹⁵

SOURCE: Mekhanika polimeriv, no. 4, 1965, 153-155

TOPIC TAGS: antifriction material, polyformaldehyde plastic, polyamide, nylon ^{14.5}

ABSTRACT: The antifriction properties of polyformaldehyde were examined using a laboratory MI-1M engine. For comparison, the tests involved bearing segments (10 mm in width and 20 mm in length) made of polyformaldehyde (delrin) and polycaprolactam (nylon). The engine operated at 230 rpm and the sliding velocity at the bearing was 0.48 m/sec. The tests were conducted in the presence of automotive lubricating oils ("solidol"-synthetic USs-1 oil corresponding to GOST 4366-56 and "avtol"-AK-10 oil corresponding to GOST 1862-57) as well as without oil. The change in friction momentum and temperature with time is shown in fig. 1 of the Enclosure. The dependence of friction coefficient and heating on load is shown in figs. 2 and 3 of the Enclosure. Overall, polyformaldehyde was found to surpass

Card 1/5

L 3786-66

ACCESSION NR: AP5023217

polycaprolactam in respect to antifriction properties. Orig. art. has: 3 figures.

ASSOCIATION: none

SUBMITTED: 30Jan65

ENCL: 03

SUB CODE: MT, GC

NO REF SOV: 000

OTHER: 000

Card 2/5

L 3786-66

ACCESSION NR: AP5023217

ENCLOSURE: 01

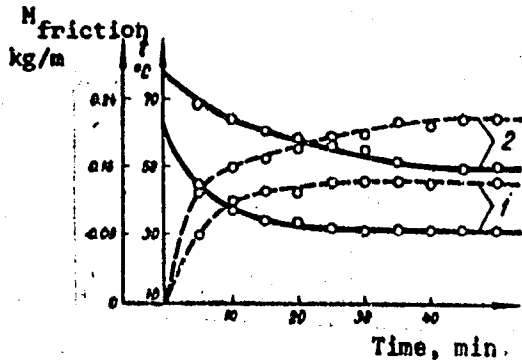


Fig. 1. Dependence of friction momentum (solid line) and temperature (dotted line) on the sliding surface upon the duration of the wear-in process at a sliding velocity of 0.48 m/sec, in the presence of "avtol" oil, and a load of 25 kg/cm², 1--polyformaldehyde; 2--polycaprolactam.

Card 3/5

L 3786-66

ACCESSION NR: AP5023217

ENCLOSURE: 02

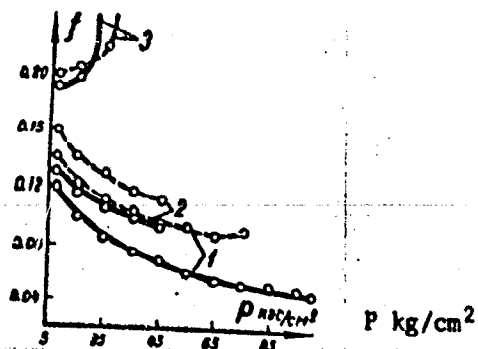


Fig. 2. Dependence of friction coefficient f of polyformaldehyde (solid line) and polycaprolactam (dotted line) upon load P . 1--"avtol" oil; 2--"solidol" oil; and 3--without oil.

Card 4/5

L 3786-66

ACCESSION NR: AP5023217

ENCLOSURE: 03

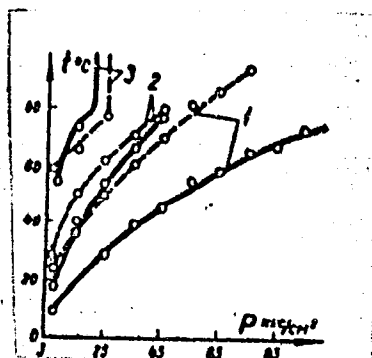


Fig. 3. Dependence of temperature of polyformaldehyde (solid line) and polycaprolactam (dotted line) as a function of load. Denotations are the same as in fig. 2.

P kg/cm²

OC
Card 5/5

USSR / General Problems of Pathology. Tumors. Human U
Neoplasms.

Abs Jour: Ref Zhur-Biol., No 11, 1958, 51722.

Abstract: cessation of the malarial attacks, under the effect of antimalarial therapy, the leucocyte count increased again and the patients' condition worsened. Suppurative processes, occurring during lymphadenosis, caused, in one patient, a 3 week long remission, in another- the general condition deteriorated and the patient died with manifestations of progressive anemia and leucopenia. It is the opinion of the authors that suppurative and inflammatory processes occurring in the course of leukemias may produce temporary remissions in patients in whom the hemopoietic function is preserved; in other cases, associated suppurative processes lead to total destruction of hemopoiesis. -- R. P. Zolotnitskaya.

Card 2/2

COUNTRY :		V
CATEGORY :		
ABS. JOUR. :	RZhBiol., No. 1 1959, No. 4559	
AUTHOR :		
INST. :		
TITLE :		
ORIG. PUB. :		
ABSTRACT cont'd. :	The best results (up to 90% of cases) were achieved in treatment with S of acute left ventricular failure (cardiac asthma), chronic total cardiac insufficiency in cardiosclerosis and in patients who suffered myocardial infarction. Good results were obtained in treatment with S of patients affected with angina pectoris associated with cardiac insufficiency. S was less effective than Digitalis in patients with pulmonary heart and valvular defects (with the excep-	
CARD:	2/3	

TUTAYUK, V.Kh.; ABDULLAYEV, Ch.S.

Diversity of forms and the anatomic structure of leaves of the Georgian oak (*Quercus iberica* Stev.) growing in the mountainous zone of the Karabakh Range. Dokl. AN Azerb. SSR 19 no.3:61-65 '63. (MIRA 17:8)

ABDULLAYEV, D. A.

USSR

Investigation of solubility in the system MgF_2 , AgF , H_2O at 25°. Sh. T. Talipov, D. A. Abdullaev, and M. V. Kirsanova. *Trudy Steklochim. Univ.* No. 40, *Khim. Nauki* No. 3, 43-6 (1953); *Referat. Zhur., Khim.* 1954 No. 32118. -- The soly. in this system was studied by the iso-thermal method. Neither double salts nor solid soly. were found. From solns. contg. 0.03-130-10.4% by wt AgF only MgF_2 crystallized. As the concn. of AgF increased, the soly. of MgF_2 dropped sharply from 4.355×10^{-2} % by wt to traces undetectable by the analytical method used. This took place in a soln. contg. 0.01 mols. AgF/l .

M. Frosch

ABDULLAYEV, D. A.

U.S.S.R.

New method of synthesis of silver fluoride. Sh. T. Tallayev and D. A. Abdullayev. Vysokomol. Soedin. Ser. B, No. 40, Khim. Nauk, No. 3, 63-8(1963); Rept. Zhur. Khim. 1954, No. 32249.—Ag does not dissolve in HF. Freshly reduced spongy Ag, oxidized to Ag₂O with H₂O₂, was dissolved in 20% HF. Excess HF was driven off and upon cooling from the soln. AgF·4H₂O of high purity sept. The yield was 80-85% of theoretical. M. Hosh

MA

[Handwritten signature]

AS DOZAYEV, D.A.

ABDULLAYEV, D.A.

8(2)

PHASE I BOOK EXPLOITATION

SOV/2188

Akademiya nauk SSSR. Institut nauchnoy i tekhnicheskoy informatsii, Filial.

Avtomatiicheskiy podatchik signalov trevogi i bedstviya. Maloreleynnyy raspredelitel impul'sov (Automatic Transmitter of Alarm and S.O.S. Signals. Pulse Distributor With Small Number of Relays) Moscow, 1958. 14 p. (Series: Peredovoy nauchno-tekhnicheskiy i proizvodstvennyy opyt. Tema 42, no. P-58-45/3) 1,730 copies printed.

Executive Ed.: N.P. Mordvinova, Engineer; Tech. Ed.: T.M. Sorokina.

PURPOSE: This booklet, one of a series, is intended to inform engineering and technical personnel of recent advances made in machines, mechanisms, instruments, and production processes in the USSR and abroad.

COVERAGE: The booklet contains two articles, both in the field of systems and equipment for automatic remote control and regulation.

TABLE OF CONTENTS:

Card 1/3

Automatic Transmitter of Alarm (Cont.)

SOV/2188

pulses at the decoder output. The distributor was designed by the authors at the Institute of Automation and Telemechanics, Academy of Sciences, USSR, under author's certificate No. 103893, June 23, 1956. There are six illustrations and three Soviet references. The article was submitted on February 1, 1957; its editor was I.D. Sokolov, Engineer.

AVAILABLE: Library of Congress

Card 3/3

JP/bg
9-21-59

ABDULLAYEV, D.A.

28(1) PHASE I BOOK EXPLOITATION 307/1606
Abdullaev D.A. Institut avtomatiki i telemekhaniki
Avtomatika i telemekhanika; sbornik (Automation and Telemechanics;
Collection of Articles) Moscow, Izdatel'stvo AN SSSR, 1958. 144 p.
5,000 copies printed.

Resp. Ed.: Ya.Z. Tsypkin; Ed. of Publishing House: V.A. Kotov;
Tech. Ed.: I.M. Guseva.

FOREWORD: The book may be useful to engineers working with automatic
and remote control.

COVERPAGE: This is a collection of 15 articles which were presented
at the fourth and fifth scientific and technical conferences of
young members of the Institute for Automation and Telemechanics of
the USSR Academy of Sciences in 1956. The material contained in the articles
1955 and the fifth in 1956. The material contained in the articles
is based on research work done by young members of the Institute.

Card 1/8

Automation and Telemechanics (Cont.) 307/1606
The articles discuss automatic and remote control devices and
the automated drive. No personalities are mentioned. References
appear at the end of each article.

TABLE OF CONTENTS:

Abdullaev, D.A. Some Problems in Engineering Remote Control
Systems With Scattered Control Stations 109
The author discusses methods for the engineering and
optimum utilization of remote control systems and their
components when control stations are scattered over large
areas. There are 7 references, 6 of which are Soviet, and
1 English.

Kashirin, V.A. Optimum Time of Quantizing a Signal When
Disturbances are Present 118
The author derives an expression for errors due to limita-
tion of the signal spectrum during time quantization and

Card 7/8

discusses methods of selecting the optimum time of quanti-
fication during the transmission of a signal of unlimited
frequency spectrum through communications channels with dis-
turbances. There are 3 references, all Soviet.

Ottianu, V.N. Synthesis of Cascade-connected Relay Circuits
With Step Switches 122
The author presents a mathematical discussion of synthesis
of multi-terminal switching circuits having step switches
and illustrates it by a specific example. There are
8 references, 7 of which are Soviet, and 1 English.

Fernov, G.B. Cascade Method in the Synthesis of Symmetrical
Relay Circuits 127
The author discusses the graphical method for the synthesis
of symmetrical and quasi-symmetrical multi-terminal relay
circuits. There are 9 references, 7 of which are Soviet,
1 English, and 1 Czech.

Silayev, V.M. Remote Control Device for Outlying Equipment 133
The author discusses the most economical methods of utilizing
remote control equipment. Special attention is given to
operation of individual devices for remote control of systems
located at considerable distances from one another. There
are 3 references, all Soviet.

AVIA: Library of Congress
Card 8/8

655/89

ABDULLAYEV, D.A.

FRASE I BOOK KRYTOVATION SOV/7181

Academiya nauk SSSR. Institut avtomatiki i telemekhaniki
Proyektirovaniya telemekhaniki (Industrial Telemechanics) Moscow, 1960.
284 p. Errata slip inserted. 4,000 copies printed.
Resp. Ed.: M.A. Gavrilov, Ed. of Publishing House: Ye.M. Orlov'skiy;
Tech. Ed.: E.G. Shcherbako.

PURPOSE: This collection of articles is intended for scientific workers and engineers in the field of telemechanics.
COVERAGE: The book contains studies completed in 1957 by the Institute of the Institut avtomatiki i telemekhaniki AN SSSR. They include telemechanic equipment, particularly contactless systems and systems of distributed equipment, the design of telemechanic systems, problems of bridge signaling in relay circuitry and methods of synthesizing relay circuitry using contactless components. No personalia are mentioned. Most of the articles are accompanied by references.

TABLE OF CONTENTS:

Foreword	3
PART I. GENERAL PROBLEMS OF TELEMECHANICS	
Gavrilov, M.A. Development and Present State of Discrete Telemechanic Theory and Equipment	5
PART II. THEORY OF TELEMECHANIC SYSTEMS	
Gavrilov, M.A. Design of Bridge Circuitry.	35
Modin V.M. Contactless Counter Circuits Combining Counting and Coincidence Functions	92
Ostapov, Y.M. Evaluation of the Number of Self-Correcting Codes With Combined Use of Characteristic Pulse Features	109
Tosfel'd, Yu.L. Combined Use of Characteristic Pulse Features in Protected Circular Signals	115
Dzharlanov, V.M. Signal Systems Using Characteristic Pulse Frequency Features	130
Zhorzhikashvili, Y.A. and K.G. Mkhramidze. Design of Full-Wave Pulse Distributor Using Hysteresis Components	146
Frankhvil, I.V. Operation of Pulse Components Using Ferromagnetic Materials with Rectangular Hysteresis Loop Under Resistive and Inductive Load Conditions	154
Parhosenko, P.P. High-Capacity Machine for Relay Circuitry Analysis	172
PART III. TELEMECHANIC EQUIPMENT	
Milik, R.Y. and Y.M. Silyaev. Complex Telemechanic System for Distributed Equipment	198
Publshers, Ye.Y. Telemechanic Equipment for the Control of Distributed Equipment Systems	218
Frankhvil, I.V. New Components for Contactless Telemechanic System	236
Milik, R.Y. Remote Signal System Using Polarized Relays	260
Abdullayev, D.A. Remote Signaling in Telemechanic Systems with Distributed Control Points	277
AVAILABLE: Library of Congress (NY 213.A325)	
Card 4/9	11

DD/mm/yy
1-80-80

Operating Evaluation of Life Expectancy
of Equipment With Contacts

77831
SOV/103-22-2-11/H

where Q is hourly intensity of wear of an element. Q
is defined as:

$$Q = n_h N_c$$

where n_h is number of operating cycles per hour and N_c
is number of switchings per cycle. Assuming equality
in expression (8'), the relationship between Q and H is
plotted for various N_c as shown on Fig. A. From Fig.
A the magnitude H_x for a selected Q_x may be found.
It is assumed that the number of years T during which
the costs of the system are paid off is expressed as:

$$T = H_x / A H.$$

Card 2/5

Operating Evaluation of Life Expectancy
of Equipment With Contacts

77831
SOV/103-22-2-11/14

When $H_x < T$ a replacement of the element in question
will be necessary. This will cause a relative increase
⊕ of operational costs given as:

$$\theta = 1 + \frac{\Delta QH}{N_c^2} \cdot 8760$$

The above expressions may be used for approximate eval-
uation of operational costs, or for corrections of
assumed cost values. The help of B. S. Sotskov is
acknowledged. In an appendix an expression similar to
expression (8') is derived for contacts with $N_c = ft$,
where f is signal frequency equal to natural frequency
of the contact and t is signal duration. There is 1
figure; and 7 references, 4 Soviet, 1 German, 2 U.S.
The U.S. references are: Taylor, N. H., Designing for

Card 4/5

22327

S/167/61/000/001/001/004
A104/A133

98000
AUTHORS: Abdullayev, D. A., Zakharov, Ya. V., Shaakhmedova, R. A.

TITLE: Design of large scale telemechanical equipment with decentralized control points and non-contact circuits

PERIODICAL: Izvestiya Akademii nauk UzSSR. Seriya tekhnicheskikh nauk, no. 1, 1961, 7 - 15

TEXT: The overall automation and remote control, especially in petroleum and gas processing, mining, etc, requires equipment which eliminates the danger of arcs or sparks occurring during the switching, of which the non-contact circuits are most appropriate. Magnetic couplings with a rectangular hysteresis loop, semiconductor triodes and diodes increase the efficiency, simplify the construction and reduce the dimensions of remote control devices. The simplest non-contact relays are obtained using of magnetic material with a rectangular hysteresis loop. There are two groups of suitable materials, i. e. band-shaped perm-alloys (nickel-iron alloys) and ferrites composed of iron oxide and bivalent metal oxides. Electric and magnetic properties of ferrites produced in the USSR are given in Reference 2, (A. I. Pirogov, Author's abstract, of Candidate's dis-

Card 1/5

22327

S/167/61/000/001/001/004
A104/A133

Design of...

be at least four mean pulse-point blocks in each system, i.e., junction, intermediate, final with reciprocal retranslation of the cophasal pulse and a final pulse-point block of the system. The most frequent is the nodal pulse-point type. The pulse distributor of a semi-block dispatcher-point consists of a series of interconnected ferrite-diode couplings. They are divided into even and odd groups, fed by pulses of negative and positive polarity. The even groups receive and classify control signals and the odd groups transmit operational and cophasal impulses. The function of individual blocks and of the entire unit is described in the joint report of the IAT AN SSSR (Institute of Automation and Telemechanics of the Academy of Sciences USSR and the Institute of Power Engineering and Automation of the Academy of Sciences UzSSR, 1959. An experimental model designed in the workshop of the Institute of Automation and Telemechanics of the Academy of Sciences USSR for the dam of the Tyuya-Buguz storage lake on the Angren River, covers 30 objects. The installation consists of three pulse-point semi-blocks, each covering up to 10 objects and operating on double communication lines. Synchronous feeding of the dispatcher point and pulse-point is essential and permits the transmission of orders on the principle of presence or absence of pulses. At each pulse-point the retranslation is accompanied by amplification of signals, therefore the range of operation is determined by the distance between the two

Card 3/5

22327

S/167/61/000/001/001/004
A104/A133

Design of...

Soviet-bloc references.

ASSOCIATION: Institut energetiki i avtomatiki AN UzSSR (Institute of Power
Engineering and Automation of the Academy of Sciences UzSSR)

SUBMITTED: July 16, 1960

X

Card 5/5

ABDULLAYEV, D.A.; ZAKIROV, T.A.

Investigating the noncontact decoder of frequency codes. Izv.
AN Uz.SSR. Ser.tekh.nauk no.4:24-29 '62. (MIRA 15:7)

1. Institut energetiki i avtomatiki AN UzSSR.
(Pulse techniques (Electronics))

S/167/63/000/001/002/002
D201/D308

AUTHORS: Abdullayev, D.A. and Zakirov, T.A.

TITLE: Analysis of selective properties of LC-filters used in frequency-dependent devices in telemechanics

PERIODICAL: Akademiya nauk UzSSR. Izvestiya. Seriya tekhnicheskikh nauk, no. 1, 1963, 21-27

TEXT: The authors analyze the effect of the input signal level on the selective properties of series-connected LC-filters and determine from the results the most suitable core material for these filters. A graphical-analytical method of determining the selective properties of serial LC-networks is suggested, it depends on the properties of the core material, on fluctuations of the level of the input signal and on the resulting fluctuating core field. Experiments have confirmed the results of I.M. Rubinshteyn (Voprosy radioelektroniki, ser. XI, no. 2, 1959), who used oxifers in LC-networks in weak magnetic fields. It is also shown that in order to avoid overlapping of adjacent channels when alsifer cores are used, the

Card 1/2

Analysis of selective ...

S,167/63/000/001/002/002
D201/D308

maximum operating field strength should not exceed 180-200 oersted.
In the case of oxifer cores this limit is determined by the degree
of stabilization of the input signal. There are 4 figures.

ASSOCIATION: Institut energetiki i avtomatiki AN UzSSR (Institute
of Power Engineering and Automation of the AS UzSSR)

SUBMITTED: July 27, 1962

Card 2/2

ABDULLAYEV, D.

Determining the composition of multicomponent systems from
gamma-ray scattering. Dokl. AN Tadjh. SSR 6 no.3:14-16 '63.
(MIRU 17:4)

1. Otdel fiziki i matematiki AN Tadjhikskoy SSR. Predstavleno
akademikom AN Tadjhikskoy SSR S.U.Umarovym.

ABDULLAYEV, D.A.; ZAKIROV, T.A.

Selective properties of LC-filters used in frequency setups
of telemechanics. Izv. AN Uz. SSR. Ser. tekhn. nauk 7 ro.1:
21-27 '63. (MJA 17:6)

1. Institut energetiki i avtomatiki AN UzSSR.

GALKINA, R.V.; ABDULLAYEV, D.A.; ZAKHAROVA, V.A.

Biological characteristics and feed value of smaller duckweed.
Uzb. biol. zhur. 9 no.3:44-47 '65. (MIRA 18:8)

1. Institut botaniki AN UzSSR.

L 39161-66 EEC(k)-2/EWT(d)/EWP(1) IJP(c) GG/BB

ACC NR: AP6030380

SOURCE CODE: UR/0167/66/000/002/0080/0083

AUTHOR: Abdullayev, D. A.; Zakharov, Ya. V.; Zhuravlov, V. M. 55

ORG: Uzbek Scientific Research Institute for Power and Automation (Uzbekskiy nauchno-issledovatel'skiy institut energetiki i avtomatiki) B

TITLE: Synthesis of the selector of one class of information processing ¹⁶⁰ device

SOURCE: AN UzSSR. Izvestiya. Seriya tekhnicheskikh nauk, no. 2, 1966, 80-83

TOPIC TAGS: information processing, pulse counter

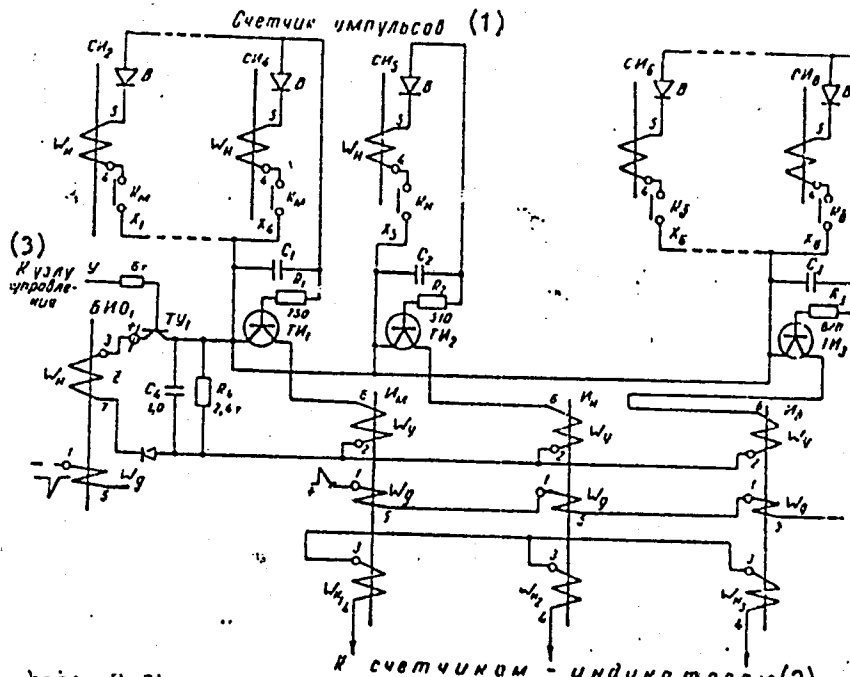
ABSTRACT: An interesting class of information processing devices is that in which the inputs receive signals with various characteristics and levels, and the output of each characteristic and its level is fixed individually. This requires selective distribution of the signals with identical levels into individual output channels. The authors have developed a device, applied to an automatic sowing device, which performs this function in a reliable manner with a somewhat simpler circuit than those known earlier. Below is a schematic diagram:

Key: 1 - pulse counter; 2 - to indicator-counters; 3 - to control unit; other symbols universal.

Card 1/2

L 39161-66

ACC NR: AP6030380



Orig. art. has: 2 figures and 7 formulas. [JPRS: 36,127]
SUB CODE: 09 / SUBM DATE: 20Apr65 / ORIG REF: 001
Card 2/2

GINLE, E. D.M. 1940-1944.

1. Treatment of myocardial and pulmonary therapy in eye disease
for patients with chronic coronary insufficiency. Kardiologiya
5 no. 1971-82 Jan 8 1971. (MIRA 18:9)

2. Methods of hospital therapy of myocardial infarction in the medical
Department of N. Kharlamov, Leningrad.

ABDULLAYEV, D. M.

see **n** ABDULAYEV, D. M.

ABDULLAYEV, Enver

The strength of an example. Sov.profsoiuzy 16 no.11:18-23 Je
'60. (MIRA 13:6)

1. Predsedatel' Azerbaydzhanskogo respublikanskogo komiteta
profsoyusa rabochikh neftyanoy i khimicheskoy promyshlennosti.
(Azerbaijan--Petroleum industry)

ABDULLAYEV, E.

It is necessary to plan the production cost of the communication system.
Fin. SSSR 38 no.1:70-71 Ja '64. (MIRA 17:2)

1. Zamestitel' nachal'nika otdela Ministerstva finansov AzSSR.

ABDULLAYEV, E/A.

Azerbaijan petroleum workers compete. Neftianik 5 no.7:8-10
Jl '60. (MIRA 14:9)

1. Predsedatel' Azerbaydzhanskogo respublikanskogo komiteta
profsoyuza rabochikh neftyanoy i khimicheskoy promyshlennosti.
(Azerbaijan--Petroleum industry)

ABDULLAYEV, Feyzulla, deputat Verkhovnogo Soveta SSSR

We shall hasten the dawn of the bright tomorrow through work.
Sov. profsoiuzy no.17:6-7 S '61. (MIRA 14:8)

1. Operator neftepererabatyvayushchego zavoda imeni Stalina,
chlen prezidiuma Azerbaydzhanskogo respublikanskogo soveta
profsoyuzov.

(Communism)

(Russia--Economic policy)

ABDULLAYEV, F.M.

Over-all automation of the process of alkylation of benzene by ethylene. Za tekhn. prog. 3 no.9:9-11 S '63. (MIRA 16:10)

1. Nauchno-issledovatel'skiy i proyektnyy institut "Neftekhimavtomat".

ABDULLAYEV, F.M.

Optimization of benzene alkylation process using ethylene. Nefteper.
i neftekhim. no.6:44-46 '65. (MIRA 18:7)

1. Nauchno-issledovatel'skiy i proyektnyy institut po kompleksnoy
avtomatizatsii proizvodstvennykh protsessov v neftyanoy i khimi-
cheskoy promyshlennosti.