

ABEN, Kh.K. [Aben, H.] (Tallin)

Using photoelastic coatings in investigating shells. Izv. AN SSSR
Mekh. i mashinostr. no.6:106-111 N-D '64.

(MIRA 18:2)

L 2691-66 EWT(d)/EWT(m)/EWP(w)/EWP(v)/EWP(k)/EWP(l)/EWA(h)/ETC(m) WW/EM

ACCESSION NR: AP5021711

UR/0373/65/000/004/0070/0076

AUTHOR: Aben, Kh. K. (Tallin)

40
37
B

TITLE: Quasi-principal stress rotation in investigation of cylindrical shells by the photoelasticity method

SOURCE: AN SSSR. Izvestiya. Mekhanika, no. 4, 1965, 70-76

TOPIC TAGS: cylindrical shell theory, photoelasticity, stress measurement, ordinary differential equation

ABSTRACT: A method is described for determining stresses in cylindrical shells, including the effect of quasi-principal stress rotation. The schematic of the cylindrical shell is shown in Fig. 1 on the Enclosure. The shell is trans-illuminated tangentially along the z-axis, and the various bending, circumferential, and tangential stresses are expressed by

$$\sigma_x = (\sigma_{\theta\theta} + \sigma_{zz}) \sin^2 \theta, \sigma_y = \sigma_{\theta\theta}, \tau_{xy} = \tau_{r\theta} \cos \theta$$

After some rearrangements, the stresses perpendicular to the z-axis take the form

$$\left[\sigma_x - \sigma_y = \left(\frac{t}{R} \sigma_{\theta\theta} - \sigma_{zz} \right) \frac{z^2}{Rt}, \quad \tau_{xy} = \tau_{r\theta} \left(1 - \frac{z^2}{R^2 t^2} \right) \right]$$

Card 1/3

L 2691-66

ACCESSION NR: AP5021711

These expressions are then substituted into equations of photoelasticity to yield the following first order differential equations with a unitary matrixant

$$\frac{dE_x}{dz_1} = -icz_1^2 E_x - i\tau(1-z_1^4) E_y, \quad \frac{dE_y}{dz_1} = -i\tau(1-z_1^4) E_x + icz_1^2 E_y.$$

These equations are integrated by the Pickard method, and the resulting transcendental equations are solved numerically. For the angle $\alpha_0 \neq 0$ (angle between the x-axis and the initial characteristic direction), the effect of quasi-principal stress rotation is included. A nomogram is constructed such that, by calculating α_0 and the phase difference 4ϕ , the stresses τ and σ can be determined. Some experimental verification is obtained for this method. An alternate method is described for measuring the stresses, starting from the shell equilibrium equations. This method is shown to be less accurate than the one described above. "The author expresses his gratitude to M. Peterson for programming the algorithm for the nomogram and to A. Saar for carrying out the experiment." Orig. art. has: 22 equations and 3 figures.

ASSOCIATION: none

SUBMITTED: 24Feb65

NO REF SOV: 009
Card 2/3

ENCL: 01

OTHER: 008

SUB CODE: AS, ME

L 2691-66

ACCESSION NR: AP5021711

ENCLOSURE: 01

0

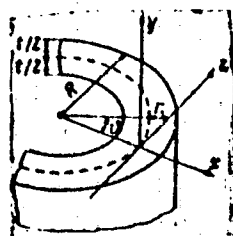


Fig. 1

Card ^{KC} 3/3

ABEN, Kh.K. (Tallin)

Optical phenomenon in photoelastic coatings used in investigating shells. Izv. AN SSSR. Mekh. no.6:86-87 N-D '65.
(MIRA 18:12)

ABEN, Kh. [Aben, H.]

Measuring the phase difference in photoelastic coatings.
Izv. AN Est. SSR. Ser.fiz.-mat. i tekhnauk 14 no.2:233-
236 '65. (MIRA 19:1)

1. Institut kibernetiki AN Estonskoy SSR. Submitted July 6,
1964.

ACC NR: AT7002115

(A)

SOURCE CODE: UR/0000/66/000/000/0305/0309

AUTHOR: Aben, Kh. K.; Saar, A. Yu.

ORG: none

TITLE: The determination of thermal stresses in two-layer, round shells using the photoelasticity method

SOURCE: Vsesoyuznaya konferentsiya po polarizatsionno-opticheskomu metodu issledovaniya napryazheniy. 5th, Leningrad, 1964. Polarizatsionno-opticheskiy metod issledovaniya napryazheniy (Polarizing-optical method of investigating stresses); trudy konferentsii. Leningrad, Izd-vo Leningr. univ., 1966, 305-309

TOPIC TAGS: stress analysis, thermal stress, bending stress, photoelasticity, glass property, *spheric shell structure*

ABSTRACT: The stresses in two-layer round light fixture domes were analyzed using polariscopic techniques, the effects of individual stress components investigated, and mathematical expressions for these components derived. The stresses in the domes, in which the inner layer consisted of opalescent glass, and the outer layer--common structural glass, can be considered to be axisymmetric. These stresses were determined by tangential transillumination of the domes immersed into a tank. The difficulty of this method is that only the outer layer can be penetrated by light, though

Card 1/2

ACC NR: AT7002115

stresses in both layers have to be measured. For the particular geometrical dome configuration only the normal outer layer stresses in the direction tangential to the meridian, and the tangential stresses produce optical effects. The normal stress consists of the following components: 1. chain stresses, distributed uniformly throughout the thickness of the outer layer; 2. bending stresses, varying linearly throughout the thickness of the outer layer; and 3. stresses due to tempering distributed throughout the thickness of the whole shell according to the parabolic law. Investigations showed that the tangential stresses are negligible, as are the stresses due to tempering of the particular product. Mathematical expressions for the bending and the chain stresses are given. These formulas can be used knowing the elasticity modulus, the Poisson coefficient, and thickness of the layers in the shell. Once the chain stress is found, the difference in the linear thermal expansion coefficients for the two types of glass can be calculated. Orig. art. has: 2 figures, 12 formulas.

SUB CODE: 20/ SUBM DATE: 14Jun66/ ORIG REF: 005/ OTH REF: 004

Card 2/2

TOKER, N.I.; ABEND, L.K.; KRAYNEVA, E.P.

Physicochemical investigation of asbestos from various
deposits. Nauch. trudy VNIIsbest no.3:62-103 '62.
(MIRA 16:11)

ACCESSION NR: AR4015698

8/0081/63/000/023/0408/0408

SOURCE: RZh. Khimiya, Abs. 23M247

AUTHOR: Tokar, N. I.; Abend, L. K.; Krayneva, E. P.

TITLE: Physico-chemical investigation of asbestos of various origins

CITED SOURCE: Nauchn. tr. Vses. n.-i. in-t asbest. prom-sti, vy*p. 3, 1962, 62-103

TOPIC TAGS: asbestos

ABSTRACT: Results are presented of analyses of asbestos fiber of various origins by the physico-chemical laboratory of the NIIAsbest (Asbestos Institute). The results obtained can serve as reference material for certain physico-chemical constants for asbestos, and also facilitate the identification of the asbestos fiber during the study of new sources of asbestos. The methods of roentgeno-chemical and thermal analysis are also described. M. S.

DATE ACQ: 09Jan64

SUB CODE: MT

ENCL: 00

Card 1/1

ABENE, V.A.

6(0) PHASE I BOOK EXPLOITATION SOV/2800

USSR. Ministerstvo svyazi. Tekhnicheskoye upravleniye
Novyye razrabotki po organizatsii pochtovoy svyazi; informat-
sionnyy sbornik (New Developments in the Organization of
Postal Communication; Collection of Informational Articles)
Moscow, Svyaz'izdat, 1980. 166 p. (Series: Tekhnika svyazi.)
Errata slip inserted. 8,600 copies printed.

Additional Sponsoring Agency: USSR. Ministerstvo svyazi.
Tsentral'nyy nauchno-issledovatel'skiy institut.
Nesp. Ed.: A. Ye. Vasenin; Ed.: R.A. Kaz'mina; Tech. Ed.:
L. G. Martoch.

PURPOSE: This book is intended for post office workers.

COVERAGE: This collection of articles discusses efforts of the
Central Scientific Research Institute of Communications
to organize and mechanize work processes in postal service
establishments. It describes the organization of postal
functions and ways to determine the efficiency of mechanized
operations. Some articles discuss future development of the
postal service. No personalities are mentioned. There are
no references.

Grigor'yev, M. D. Overall Mechanization of Postal Operations 80
Kocherya, M. and A. I. Shatov. Methods of Calculating
the Technical and Economic Efficiency of Mechanization
Facilities in Postal Service Establishments 100

ABENE, V. A. Installation With Several Degrees of Select-
ivity for Semi-Automatic Sorting of Parcels 130
Barsuk, V. A. Method of Determining the Efficiency of
Mechanized Parcel Sorting 130

Kozlovskiy, A. G. and M. D. Mosonovich. System of
Organizing and Mechanizing Production Processes for
Expediting Periodicals in Large Postal Service Establish-
ments

AVAILABLE: Library of Congress (HE 6637 .N65)

Card 4/4

30/mmb
1-6-60

ABENE, Vladimir Andreyevich; ZAKHAROVA, N.V., otv.red.; FEDOROVSKAYA,
L.N., red.; KARABILOVA, S.F., tekhn.red.

[Blocking relay devices for two-party lines] Blekiratory dlia
sparennogo vklucheniia telefonnykh apparatov. Moskva, Gos.
izd-vo lit-ry pe voprosam sviazi i radio, 1959. 26 p.

(MIRA 13:6)

(Telephone--Equipment and supplies)

ALEXKHAIN, P.

APERNHAIN, P. A new loom with a tricot mechanism. Tr. from Russian. p. 12.

Vol. 6, No. 10, Oct. 1956.

STATSIGNALIZATSIYA.

TEKHNIKOCCY

Sofia, Bulgaria

So: East European Accession, Vol. 6, No. 3, March 1957

ABENOVA, H.

Derivation of integral equations for the first boundary value problem in the mathematical theory of elasticity for a hemisphere. Vest. AN Kazakh. SSR 20 no.8:66-71 Ag '64.

(MIRA 17:11)

L 01191-66 EWT(d)/EWT(m)/EWP(w) IJP(c) EM

ACCESSION NR: AR5019370

IR/0124/65/000/007/V004/V004

SOURCE: Ref. zh. Mekhanika, Abs. 7V22

33
B

AUTHOR: Abenova, M. 44, 55

16, 44, 55

TITLE: Integral equations in the first boundary value problem of the mathematical theory of elasticity for a half-space in a cylindrical system of coordinates

CITED SOURCE: ²⁶Sb. nauchno-issled. rabot. Tashkentsk. tekstil'n. in-t. Ser. matem., vyp. 19, 1964, 161-174 44, 55

TOPIC TAGS: first boundary value problem, Green function, integral equation, coordinate system

TRANSLATION: Green's function is used in writing integral equations for cubic expansion and curl in a cylindrical system of coordinates for the case of a half-space with an elastic displacement vector assigned at its boundary. Ya. S. Uflyand

SUB CODE: MA, AS

ENCL: 00

Card 1/1

DP

NIKITINA, Ye.A.; ABENOVA, M.U.

Studying microbiological conditions of soils influencing plant growth
on reclaimed virgin and idle lands of the turf-Podzolic zone. Trudy
Vses. inst. sel'khoz. mikrobiol. 16:5-14 '60. (MIRA 13:9)
(Soils--Bacteriology) (Reclamation of land)

Name: ABENT, F.

Dissertation: Visual aids in teaching grades 3 and 4 of the general school; based on material for teaching arithmetic and explanatory reading

Degree: Cand Ped Sci

Defended at
~~Admission~~: Moscow State Pedagogical Inst imeni V. I. Lenin

Publication
~~Defense~~ Date, Place: 1956, Moscow

Source: Knizhnaya Letopis', No 51, 1956

YAMPOL'SKIY, S.M. [Ampol's'kyi, S.M.], prof.; VENGEROVSKIY, Ye.O. [Venherova'kyi, YE.O.], vrach; ABER, S.Ya., dotsent; SHELUD'KO, Ye.I. [Shelud'ko, YE.I.], vrach; KHODOVA, R.Z., vrach

In memory of O.M.Fedotova. Ped., akush. i gin. 23 no.6:34 '61.

(FEDOTOVA, OLENA MYKHAILIVNA, 1884-1960) (MIRA 15:4)

ABER, V. Ya.

ABER, V. Ya., dots.

Endocrinological care in 1956. Vrach.delo no.10:1071-1075 0 '57.
(ENDOCRINE GLANDS--DISEASES) (MIRA 10:12)

ABER, V.Ya., dotsent (Khar'kov)

Endemic goiter in the Ukraine. Probl.endok. i gorm. 4 no.2:47-52
Mr-Apr '58 (MIRA 11:5)

1. Iz Ukrainского instituta eksperimental'noy endokrinologii
(dir. - kand. med. nauk S.V. Maksimova)
(GOITER, statistics
endemicity in Ukraine (Rus))

ABER, V.Ya., dotsent

Surgical treatment of goiter patients in the Ukrainian S.S.R.
Probl. endok. i gorm. 10 no.1:40-41 Ja-F '64.

(MIRA 17:10)

1. Ukrainskiy institut eksperimental'noy endokrinologii (dir.
S.V. Maksimov).

AEER, V.A., dots. (Khar'kov)

Sixth ten-day session on endocrinology. Vrach.delo no.8:887 Ag '58
(ENDOCRINOLOGY--CONGRESSES) (MIRA 11:8)

ABER, V.Ya., dots. (Khar'kov)

Problems in the organization of surgical services for goiter patients. Vrach.delo no.11:1197-1199 N'58 (MIRA 2:1)

1. Ukrainskiy institut eksperimental'noy endokrinologii.
(GOITER)
(UKRAINE--THYROID GLAND--SURGERY)

ABER, V.Ya., dotsent (Khar'kov)

Seventh ten-day endocrinology conference in Kharkov. Vrach.delo
no.11:1217-1218 N '59. (MIRA 13:4)

(ENDOCRINOLOGY)

ABER, V.Ya., dotsent (Khar'kov)

Two conferences on endocrinology; Vrach. delo no.8:146-147 Ag '60.
(MIRA 13:9)

(ENDOCRINOLOGY)

ABER, V. Ya.

Methods for the eradication of endemic goiter. Probl. endok. i
gorm. 6 no. 5:73-77 '60. (MIRA 14:1)
(GOITER)

ABER, V.Ya.

Prospects for the control of endocrine diseases in the Ukraine.
Probl. endok. i gorm. 6 no.6:101-105 '60. (MIRA 14:2)
(UKRAINE--GOITER)

ABER, V.Ya.

Some data on the prevalence of endocrine gland diseases. Trudy
Ukr.nauch,-issl.inst.eksper.endok. 18:111-119 '61. (MIRA 16:1)

1. Iz organizatsionno-metodicheskogo otdela Ukrainского instituta
eksperimental'noy endokrinologii.
(ENDOCRINE GLANDS--DISEASES)

ABER, V.Ye. Abstract

endocrine morbidity and prospects of developing endocrinological
service in the Ukrainian S.S.R. for the next 20 years. Probl. med.
i gorm. 9 no.6:9, 96 N-D 163.

(NINA 17:11)

1. Iz Ukrainenogo Institutu eksperimental'nykh endokrinologicheskikh
-- kand. med. nauk S.V. Bukalovskiy.

EXCERPTA MEDICA Sec 16 Vol 7/12 Cancer Dec 59

***5179. Functional heart changes seen on kymogram of lung cancer patients**
(Russian text) ABERDANEL E. E. Herzen Onco Inst., Moscow. *Vopr. Onkol.* 1959,
5/9 (274-279)

This is a study of 70 male patients with cancer of the lung: 47 central tumours and 23 peripheral. Normal kymograms were obtained in 22 cases. In 31 cases an elongation of the left ventricular zone was observed, while in 24 patients functional disturbances of the right ventricle were found, as a rule in combination with changes in the left ventricular zone. The results of surgical therapy and the postoperative course showed a clear correlation with the kymographic findings. This method of examination is of value in preparing patients for a radical operation. (XVI, 15,18)

ABERBERG, G. A. — In Latvian

ABERBERG, G. A. -- "Variation in the Heights of the Points of the Water Gauge Network of the City of Riga." Latvian Agricultural Academy, 1954. In Latvian (Dissertation for the Degree of Candidate of Technical Sciences)

SO: Izvestiya Ak. Nauk Latvyskoy SSR, No. 9, Sept., 1955

L 09433-67 EWT(d)/EWT(1)/EWT(m)/EWP(f) JD/NN

ACC NR: AR6034745 (4) SOURCE CODE: UR/0276/66/000/007/B080/B080

37

AUTHOR: Aberkiyev, S. M.

TITLE: Series of axial flow microturbines

SOURCE: Ref. zh. Tekhnologiya mashinostroyeniya, Abs. 7B491

REF SOURCE: Tr. Kuybyshevsk. aviats. in-t, vyp. 22, 1965, 22-26

TOPIC TAGS: axial flow turbine, turbine design, pneumatic device

ABSTRACT: A series of axial flow microturbines was developed in order to obtain a series of type dimensions of pneumatic turbine motors for the operation of manual pneumatic drills and other mechanisms with a high number of revolutions ($n > 20,000$ revol/min). Research resulted in the selection from the series of turbines of a single-step axial turbine of the active type with a belt and cylindrical nozzles with a rounded rim. The turbine has the smallest specific air consumption, the smallest diameters and the simplest (drilled) nozzles. Six figures, 1 table. The bibliography has one reference. L. Tikhonova. [Translation of abstract]

SUB CODE: 10, 13/

UDC: 621.9-184.4-85

ABERKIYEVA G-K.

Physico-chemical properties and structure of monocrystalline samples of $ZnSiAs_2$. A. A. Vaypolin, N. A. Goryunova, E. O. Osmanov.

Investigation of macrocrystalline $ZnSiP_2$. N. A. Goryunova, A. A. Vaypolin, Yu. V. Rud'.

Some properties and zone structure of the ternary compound $CdGeAs_2$. F. M. Gashimzade, N. A. Goryunova, E. O. Osmanov.

Electrical properties of monocrystalline samples of $ZnSnAs_2$. N. A. Goryunova, F. P. Kesamanly, D. N. Nasledov, Yu. V. Rud'.

Investigation of properties of $ZnGeP_2$ and $CdGeP_2$. N. A. Goryunova, N. K. Takhtareva, I. I. Tychina.

On the question of the existence of homogeneous many-component tetrahedral phases. G. K. Aberkiyeva, A. A. Vaynolin, N. A. Goryunova.

X-Ray investigation of certain compounds of the type $A^{II}B^{IV}C^{VI}_2$. A. A. Vaynolin, E. O. Osmanov, Yu. V. Rud', I. I. Tychina, A. F. Lindin, N. A. Goryunova, A. F. Iyevin'sh.

Report presented at the 3rd National Conference on Semiconductor Compounds, Makhiniv, 1-4 Oct 1963

ABERKOV, M. S. (ENGR-MECH)

ABERKOV, M. S. (ENGR-MECH) -- "OPERATION OF A TRACTOR-BRIGADE OF MACHINE-TRACTOR STATIONS IN MOSKOVSKAYA OBLAST." SUB 13 JAN 52, MOSCOW INST OF MECHANIZATION AND ELECTRIFICATION OF AGRICULTURE IMENI V. M. MOLOTOV (DISSERTATION FOR THE DEGREE OF CANDIDATE IN TECHNICAL SCIENCES)

SO: VECHERNAYA MOSKVA, JANUARY-DECEMBER 1952

SVIRSHCHEVSKIY, Bronislav Stanislavovich; ABERKOV, M.S., red.; ANTONOVSKIY, B.N., red.; BEDIYAKOVA, A.V., red.; GLAZKO, V.G., red.; GOROBETS, P.Z., red.; DOKUCHAYEVA, A.P., red.; YALENEV, A.V., red.; KISILEV, I.I., red.; KOGANOV, A.B., red.; KOHNAT'YEV, M.A., red.; KONYUSEKO, V.A., red.; KURGANOV, A.I., red.; PUTYATIN, M.D., red.; PERE, N.N., red.; LETNEV, B.Ya., red.; MAKHOVA, N.N., tekhn. red.; GOR'KOVA, Z.D., tekhn. red.

[Utilization of tractors and machinery] Ekspluatatsia mashinno-traktornogo parka. Izd.]., perer. Moskva, Gos. izd-vo sel'khoz. lit-ry, 1958. 660 p. (MIRA 11:10)

(Agricultural machinery)

ABERKOV, M.S., dotsent

Effect of open furrows on the yield of field crops and measures for
increasing the total yield of grain. Trudy MIMESKH 6:123-178 '59.
(MIRA 14:5)

(Plowing)

ABERKOV, M.S., kand.tekhn.nauk, dotsent

Effectiveness of using reversible plows. Izv. TSKhA no.6:167-172
'60. (MIRA 13:12)

(Plows)

ABERKOV, Ye.

Lightweight compression device. Stroitel' no.5:9 My '61.
(MIRA 14:6)
(Compressors) (Spray painting)

ABERKOV, Yevgeniy Mikhaylovich, inzh.; ZHELUDKOV, Vladimir Ivanovich,
inzh.; GALAKTIONOV, A.A., nauchnyy red.; TELINGATER, L.A., red.;
PERSON, M.N., tekhn. red.

[Manual for training and raising the qualifications of plasterers]
Posobie dlia podgotovki i povysheniia kvalifikatsii shtukaturov.
Moskva, Proftekhizdat, 1961. 191 p. (MIRA 14:10)
(Plastering)

EXERPTA MEDICA Sec 6 Vol 13/8 Internal Med. Aug 59

4107. FOUR CASES OF UNTOWARD ACTION OF PHENYLBUZAZONE - Négy phenilbutazon-szövődményes esetről - Aberle L. and Varga F. Hajdu-Bihar Megyei Tanács Kórháza, II. sz. Belosztál. Kozl. - ORV. HETIL. 1958, 99/13 (449-451)

One case showed an erythema multiforme syndrome, a second gastric perforation, and in the other 2 an ulcer was activated. The pathogenesis of phenylbutazone complications is discussed and the possibility of prevention of side effects is pointed out.

ABERLE, Lajos

PAPP, Otto, dr.; ABERLE, Lajos, dr.; BAN, Andras, dr.; HARASZTI, Antal, dr.

Two cases of panmyelopathy caused by drugs. Orv hetil 95 no.16:
446-447 Ap '54. (REAL 3:8)

1. A Debreceni Varosi Tanacs Korhaza (igazgato: Muranyi Klara dr.)
Belosztalyanak (foorvos: Aberle Lajos, dr.) es a debreceni
Orvostudomanyi Egyetem I. sz. Belklinikajanak (igazgato: Fernet
Bela prof.) es Korbonotani Intezetenek (igazgato: Kellner Bela
prof.) kozlemenye.

(BONE MARROW, dis.

*panmyelopathy, caused by hydantions & sulfathiazoles)

(HYDANTOINS, inj. eff.

(SULFATHIAZOLE, inj. eff.

*panmyelopathy)

*panmyelopathy)

ABERLE, LAJOS

LAJOS, Aberle, Dr.; VARGA, Ferenc, Dr.

Four cases of complication in phenylbutazone therapy. Orv. hetil. 99
no. 13:449-451 30 Mar 58.

- I. A Hajdu-Bihar Megyei Tanács Kórhaza (igazgató: Manyi Géza dr.)
- II. sz. Belosztályának (főorvos: Aberle Lajos dr.) közleménye.
(PHENYLBUTAZONE, inj. eff.
case reports (Hun))

ABERLE, Lajos, Dr.; HAJDU, Jenő, Dr.; VARGA, Ferenc, Dr.; SZOOR, József, Dr.

Experiences with the complex therapy of peripheral vascular diseases.
Orv. hetil. 99 no.46:1613-1615 16 Nov 58.

- I. A Hajdu-Bihar Megyei Tanács Kórház (igazgató: Manyi Géza dr.)
- II. sz. Belosztályának (főorvos: Aberle Lajos dr.) közleménye.
(VASCULAR DISEASES, PERIPHERAL, ther.
intra-arterial drug ther. as adjuvant of surg. evaluation
(Hun))

ABERMAN, A.A.

Effectiveness of therapeutic pneumothorax in combination
with antibacterial preparations; immediate results. Sov.med.
19 no.10:47-50 0 '55. (MLRA 8:12)

1. Iz dispansernogo tuberkuleznogo otdeleniya (nach.A.A.
Aberman) Dorozhnoy bol'nitsy no.2: Yugo-zapadnoy zheleznoy
dorogi (nach. G.I.Zubko)

(TUBERCULOSIS, PULMONARY, therapy
pneumothorax with chemother)

(PNEUMOTHORAX, ARTIFICIAL
with chemother. in pulm.tuberc.,)

(CHEMOTHERAPY, in various diseases
tuberc., pulm., with artif. pneumothorax)

KLEBANOV, M.A., prof., ABERMAN, A.A., KSHANOVSKIY, S.A., PRZHEVAL'SKAYA, L.A.
KHVUL', R.M.

Causes of failure and outcome of prolonged antibacterial therapy
of cavernous pulmonary tuberculosis [with summary in French].
Probl.tub. 36 no.6:16-28 '58 (MIRA 11:10)

1. Iz Ukrainского instituta tuberkuleza imeni F.G. Yanovskogo (dir.
dets. A.S. Mamolat).

(TUBERCULOSIS, PULOMONARY, ther.
chemother. in cavitation, causes of failure (Rus))

ABERMAN, A.A.

Immediate results of treating patients with newly detected destructive pulmonary tuberculosis. Pat., klin.1 terap.tub. no.8:139-143 '58. (MIRA 13:7)

1. Iz dispansernogo tuberkuleznogo otdeleniya Dorozhnoy bol'nitsy No.2 Yugo-Zapadnoy shelesnoy dorogi (nach. - G.I. Zubko) nauchnyy rukovoditel' prof. M.A. Klebanov.
(TUBERCULOSIS)

ABERMAN, A.A.

Experiences with the organization of outpatient chemotherapeutic services for tuberculous patients. Probl.tub. 37 no.5:6-10 '59. (MIRA 12:10)

1. Iz protivotuberkuleznogo dispansera Yugo-Zapadnoy zheleznoy dorogi (Kiyev). (TUBERCULOSIS - therapy)

ABERMAN, A.A. (Kiyev)

Organization of treatment for patients with the first signs of
destructive pulmonary tuberculosis. Vrach.delo no.10:95-99 0 '60.
(MIRA 13:11)

1. Dispansernoye protivotuberkuleznoye otdeleniye Dorozhnoy bol'nitsy
No.2 Yugo-zapadnoy zheleznoy dorogi (konstul'tant - prof. M.A.
Klebanov)

(TUBERCULOSIS)

KLEBANOV, M.A., prof. (Kiyev); Priniimali uphastiye: BEREZITSKIY, A.V. (Kiyev);
PEKAR', P.P.; SAVENKOV, D.I.; TARANENKO, M.I.; MELAMED, M.A.;
BORSHCHEVSKIY, M.L. (Odessa); VIL'NYANSKIY, L.I. (Khar'kov);
SOKOLOVA, Yu.I. (Khar'kov); ABERMAN, A.A.; KULAKOVA, S.A. (Simferopol');
FUKS, R.A. (Dnepropetrovsk); BEZNOSOVA, Zh.A. (Vinnitsa); KUKLINA,
N.P. (Zhitomir); SIDORENKO, G.P. (Chernovitsy); D'YACHENKO, N.S.
(Stanislav).

Reduction in the periods of therapeutic pneumothorax following its
use in combination with antibacterial therapy. Vrach. delo no.12:
36-40 D '60. (MIRA 14:1)

1. Ukrainskiy institut tuberkuleza imeni F.G.Yanovskogo (for Klebanov).
2. Dispanser Yugo-Zapadnykh zheleznnykh dorog (for Aberman).
(PNEUMOTHORAX) (TUBERCULOSIS)

ABERMAN, A.A., kand.med.nauk

Effectiveness of treating destructive pulmonary tuberculosis
diagnosed for the first time. Probl. tub. 42 no.8:32-35 '64.
(MIRA 18:12)

1. Tuberkuleznoye otdeleniye dorozhnoy bol'nitsy No.2
Yugo-Zapadnoy zheleznoy dorogi, Kiyev.

ABERMAN, L. O.; SAVIN, I. V.

Safety pipe wrenches. Mashinostroitel' no. 12:21 D '62.
(MIRA 16:1)

(Wrenches)

ABERMAN, L.O.

Attachment for cutting screw threads on lathes. Mashinostroitel'
no.6:21 Je '62. (MIRA 16:5)

(Lathes--Attachments)

ABERMAN, Ye.S.; ROYZMAN, Ye.Ya.

Evaluation of Wassermann's reaction with dried serums. Vest. vener.
no.2:28-29 Mar-Apr 1951. (GLML 20:9)

1. Of Vinnitsa Oblast Sanitary Epidemiological Station (Head
Physician--A.A. Zubchenko).

GABOVICH, R.D.; ABERMAN, Ye.S.

"Staphylococcal food intoxications" by A.I. Stolmakova. Reviewed
by R.D. Gabovich, E.S. Aberman. Vop. pit. 19 no. 6:88-90 N-D '60.
(MIRA 13:10)

(FOOD POISONING) (STAPHYLOCOCCAL INFECTIONS)

(STOLMAKOVA, A.I.)

L 45552-66 EWP(e)/EWP(t)/ETI/EWP(k) IJP(c) JD

ACC NR: AP6033888

SOURCE CODE: HU/0014/65/098/010/0465/0471

AUTHOR: Abermann, Laszlo; Hollo, Tiborne

35

ORG: none

B

TITLE: Measurement of the specific surface area of powders

SOURCE: Kohaszati lapok, v. 98, no. 10, 1965, 466-471

TOPIC TAGS: powder metallurgy, metal powder

ABSTRACT: The following subjects are discussed: Theory of the determination of specific surface area through the measurement of permeability; practical methods of measurement and experience with the Blaine apparatus; determination of the apparatus constants, limits of measurement and obstacles to measurability. Orig. art. has: 1 figure and 31 formulas. [Based on authors' Eng. abst.] [JPRS]

SUB CODE: 11 / SUBM DATE: none / CRIG REF: 005

Card 1/1 fv

UDC: 539.27:54.08

ABERMNA, D.A.

Carrying out our pledges. Kons.1 ov.prom 17 no.12:5-6 D '62.
(MIRA 15:12)

1. Namanganskiy konservnyy zavod.
(Namangan—Canning industry)

ABERSON, M.I., Inzh., SEGAL, Ye.I., Inzh.

Rectifying device for switching-on high-voltage switches. Prom.
energ. 20 no.1:11-15 Ja '65. (MIRA 18:4)

ABERT, Eugeniusz; WASYLUK, Janusz

Bretylum toluene sulfate in the treatment of arterial hypertension. Pol. tyg. lek. 20 no.4:136-138 25 Ja '65

1. Z II Kliniki Chorob Wewnętrznych Studium Doskonalenia Lekarzy w Akademii Medycznej w Warszawie (Kierownik: prof. dr. med. E. Ruzyllo).

GRITSUN, M. (Sumakaya oblast'); ABER'YANOV, M. (Moskovskaya oblast').

Protect the apparatus from premature wear. Kinomekhanik no.4:38 Ap '53.

(MLRA 6:6)

(Moving-picture projectors)

BAKURADZE, A.N.; ABESADZE, A.I.; SIKHARULIDZE, A.I.

Role of vagus and stomach nerves in inhibiting the secretory function of the stomach during strong stimulations of stomach mechanoreceptors. Soob. AN Gruz. SSR 19 no.6:717-722 D '57.

(MIRA 11:6)

1. Tbilisskiy gosudarstvennyy meditsinskiy institut. 2. Chlen-korrespondent AN GPuzSSR (for Bakuradze).

(STOMACH--SECRETIONS) (STOMACH--INNERVATION) (VAGUS NERVE)

USSR/Human and Animal Physiology. Digestion. The Stomach.

T-7

Abs Jour: Ref Zhur-Biol., No 12, 1958, 55713.

Author : Abesadze, A. I.

Inst :

Title : The Role of Receptors in the Secretory Activity of
the Stomach.

Orig Pub: Byul. eksperin. biol. i meditsiny, 1957, 44, No 7,
30-34.

Abstract: In dogs with an isolated Pavlov or Geydenhayn
[Heidenhain] ventricle, a strong irritation of
the stomach's mechanical receptors by a rubber ball
or by an instantaneous ingestion of large amounts
of food, caused inhibition of gastric juice secre-
tion. An instantaneous ingestion of large amounts

Card : 1/2

USSR/Human and Animal Physiology. Digestion. The Stomach.

T-7

Abs Jour: Ref Zhur-Biol., No 12, 1958, 55713.

of food inhibited the conditional reflex sharply.
It also inhibited the unconditional reflectory
saliva secretion.

Card : 2/2

99

KIKHADZE, V.D.; ABESADZE, A.I.; DOLIDZE, F.F. (Tbilisi)

Role of the liver in the blood coagulation system. Pat. fiziol. i
eksp. terap: 5 no.6:61-62 N-D '61. (MIRA 15:4)

1. Iz Instituta perelivaniya krovi imeni akademika G.Mukhadze
Ministerstva zdravookhraneniya Gruzinskoy SSR.
(LIVER) (BLOOD--COAGULATION)

ABESADZE, Avtandil Iosifovich; SIKHARULIDZE, Aleksey Ivanovich

[Effect of blood transfusion on the functional activity of
the principal digestive glands] [Vliianie perelivaniia krovi
na funktsional'nuiu deiatel'nost' glavnykh pishchevaritel'-
nykh zhelez. Tbilisi, Izd-vo "Sabchota Sakhartvelo"] 1964.
148 p. [In Georgian] (MIRA 17:5)

ABESADZE, A.I.

Some problems of the mechanism of the effect of blood transfusion
on the secretory activity of the stomach. Soob. AN Gruz. SSR 29
no.2:209-214 Ag '62. (MIRA 18:3)

1. Nauchno-issledovatel'skiy institut perelivaniya krovi imeni
akademika G.M.Mukhadze, Tbilisi. Submitted February 9, 1961.

ABESADZE, A.I.

(Tbilisi)

Effect of blood transfusion and its components on the secretory activity of the stomach. Pat. fiziol. i eksp. terap. 6 no.3: 53-57 My-Je'62 (MIRA 17:2)

1. Iz Nauchno-issledovatel'skogo instituta perelivaniya krovi imeni akademika G.M. Mukhadze Ministerstva zdravookhraneniya GruzSSR (direktor - kand. med. nauk Sh.V.Egnatashvili).

ABESADZE, A.I.

(Tbilisi)

Stimulating effect of blood transfusion on the secretory action of the stomach. Pat. fiziol. i eksp. terap. 7 no.3:33-36
My-Je'63 (MIRA 17:4)

1. Iz nauchno-issledovatel'skogo instituta perelivaniya krovi imeni akademika G.M. Mukhadze Ministerstva zdravookhraneniya Gruzinskoy SSR.

ABESADZE, A.I.

Change in the secretory activity of the stomach following blood-
letting and blood transfusion. Probl. gemat. i perel. krovi 8
no.11:45-49 N '63. (MIRA 17:12)

1. Iz Nauchno-issledovatel'skogo instituta perelivaniya krovi
imeni akademika G.M. Mukhadze (direktor Sh.V. Egnatashvili)
Ministerstva zdravookhraneniya Gruzinskoy SSR.

TKESHELASHVILI, T.V.; KEVLISHVILI, G.Ye.; ABESADZE, A.I.

Significance of plasma substitute made from gelatin in the complex therapy of acute radiation sickness. Soob. AN GruzSSR 37 no.2:475-479 F '65. (MIRA 18:3)

BAKURADZE, Aleksandr Nikolayevich; ABEGADZE, Avtandil Iosifovich;
SUKHARULIDZE, Aleksey Ivanovich

[Changes in the functional state of the alimentary center
in starvation and satiation] Izmeneniia funktsional'nogo
sostoianiiia pishchevogo tsentra pri golode i nasyshchenii.
Tbilisi, Metsnieroba, 1965. 110 p. (MIRA 18:10)

KEVLISHVILI, G. Ye.; EGNATASHVILI, Sh. V.; ABESADZE, A. Z.

"The preservation of human bone marrow and its use in the treatment of radiation sickness."

report submitted for 10th Cong, Intl Soc of Blood Transfusion, Stockholm, 3-8 Sep 64.

AFESADZE, B. I.

DECEASED

1962/7

c. 1960

COAL MINING

see ILC

AMADZE, E. I.

AMADZE, E. I. : "Birdfoot trefoil and its cultivation in the western regions of Georgia." Min. Agriculture Georgian SSR. Georgian Sci. Res. Inst. of Animal Husbandry. Tbilisi, 1956
(Dissertation for the Degree of Candidate in Agricultural Sciences)

So: 'Kishnays Letopis', No. 18, 1956

VAKHANIYA, Ye.K.; NIKURADZE, G.N.; ABESADZE, D.M.; GEGELIDZE, K.I.

Possible oil and gas occurrences in Mesozoic sediments of western
Georgia. Trudy VNIGNI no.15:66-78 '59. (MIRA 14:6)

(Georgia--Petroleum geology)
(Georgia--Gas, Natural--Geology)

NANITASHVILI, G.V.; NIKORADZE, G.N.; ABBASIDZE, D.M.

Prospects for finding oil and gas in the Mesozoic and Lower
Paleogenic sediments of the Kolkhida Trough according to
hydrogeologic data. Neftgaz.geol. i geofiz. no.237-12 '64.

(MIRA 17:4)

1. Komplekshaya laboratoriya Vsesoyuznogo nauchno-issledovatel'skogo
geologorazvedochnogo neftyanogo instituta GruzSSR.

NIKURADZE, G.N.; ABESADZE, D.M.

Comparative characteristics of the correlation of the structural stages of the Mesozoic and Cenozoic of the Kolkhida Lowland. Neftegaz. geol. i geofiz. no.11:16-19 '64. (MIRA 18:3)

1. Gruzinskaya kompleksnaya laboratoriya Vsesoyuznogo nauchno-issledovatel'skogo geologorazvedochnogo neftyanogo instituta, Moskva.

Country : USSR

1.

Category: Cultivated Plants. Grains.

Abstr Jour: RZhBiol., No 11, 1958, No 48886

Author : Abesadze, G.I.

Inst : Georgian Agricultural Inst.

Title : Some Materials on Hybridization of Corn Varieties
in Georgia.

Orig Pub: Tr. Gruz. s.-k. in-ta, 1957, 46, 89-98

Abstract: No abstract.

Card : 1/1

M-38

ABESADZE, M.B.; SHENGELIYA, D.M.

Ancient sedimentary metamorphic rocks of the Khram crystalline massif. Soob. AN Gruz. SSR 26 no.5:527-530 My '61. (MIRA 14:8)

1. Geologicheskiy institut AN GruzSSR, Tbilisi. Predstavleno akademikom G.S. Dzotsenidze.

(Khram Valley--Rocks, Crystalline and metamorphic)

CHOGOVDZE, G.I., red.; GOMELAURI, N.G., red.; DZHOMARDZHIDZE, G.S., red.;
GABUNIYA, A.A., red.; CHIAYEV, I.S., red.; GANGIA, A.K., red.;
ABESADZE, N.K., red.; YAKIMOVA, A., tekhn. red.

[Forty years of Georgian industries, 1921-1961] Promyshlennost' Gru-
zii za 40 let, 1921-1961 g.g. Tbilisi, izd-vo "Zaria Vostoka,"
1961. 253 p. (MIRA 14:8)

1. Georgia. Ekonomicheskii administrativnyy rayon. Sovet narodnogo
khozyaystva.

(Georgia--Industries)

ACCESSION NR: AP4033104

S/0120/64/000/002/0043/0046

AUTHOR: Abesadze, P. D.; Doydzhashvili, G. I.; Litvin, D. F.;
Lyashchenko, B. G.; Protopopov, N. N.; Chikobava, V. S.

TITLE: Universal device for neutron-diffraction structure analysis

SOURCE: Pribury* i tekhnika eksperimenta, no. 2, 1964, 43-46

TOPIC TAGS: neutron diffraction, structural analysis, neutron diffraction analysis,
diffractometer, neutron collimator, neutron monochromator

ABSTRACT: A new device combining the features of those described by Borst and Sailor (Rev. Scient. Instrum., 1953, 24, 141) and Wollan and Kochler (Phys. Rev., 1955, 100, 545) consists of three mechanically independent components: a neutron collimator 1 (see Enclosure 1), a crystal monochromator 2, and a diffractometer. The collimator is formed by N50 -alloy 0.1-mm sheets with 2-mm gaps. The monochromator includes a Pb 10 x 80 x 200-mm plate cut from a

Card 1/3

ACCESSION NR: AP4033104

single crystal and fastened to a goniometer. The diffractometer can be adjusted to any wavelength from 1.5 Å to the "white" radiation. Proportional counters filled with BF₃ at 400 torr with up to 86% B¹⁰ are used for neutron detection. Three neutron-diffraction curves are shown; design details are supplied. "The assembling and testing of the first laboratory model of the device were carried out by V. I. Goman'kov, N. V. Grin'kin, S. A. Vyazemskiy, D. F. Litvin, A. A. Loshmanov, and B. G. Lyashchenko." Orig. art. has: 4 figures.

ASSOCIATION: Institut metallovedeniya i fiziki metallov TsNIChM (Institute of Metal Science and Physics of Metals, TsNIChM); Institut fiziki AN GruzSSR (Institute of Physics, AN GruzSSR)

SUBMITTED: 30 May 63

ATD PRESS: 3046

ENCL: 01

SUB CODE: NP

NO REF SOV: 001

OTHER: 003'

Card 1 2/3

ENCLOSURE: 01

ACCESSION NR: AP4033104

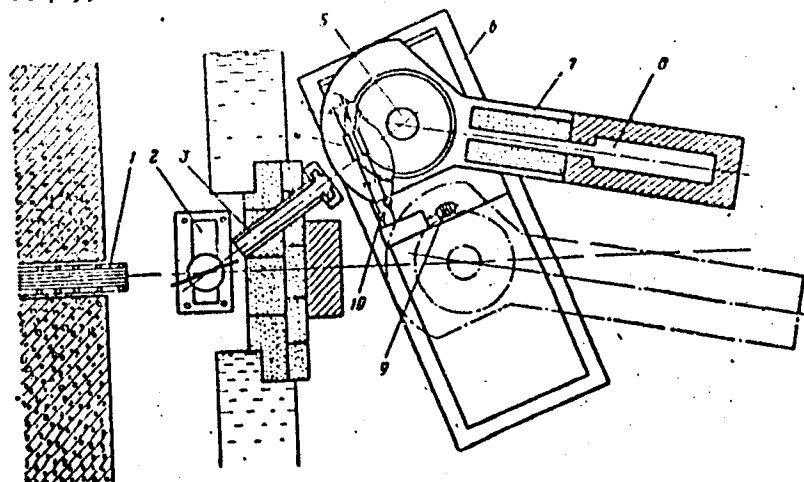


Fig. 1. Universal device for neutron-diffraction studies
1 - Collimator; 2 - crystal monochromator; 3 - channel;
4 - wormgear; 5 - stage; 6 - support plate; 7 - console;
8 - detector; 9 - electric motor; 10 - electromagnetic clutch.

Card 3/3

"APPROVED FOR RELEASE: 04/03/2001

CIA-RDP86-00513R000100120018-8

APPROVED FOR RELEASE: 04/03/2001

CIA-RDP86-00513R000100120018-8"

1. [Illegible]

OTHER [Illegible]

Card [Illegible]

L 27074-66 EWT(d)/FSS-2 GS/JXT(CZ)

ACC NR: AT6012356

SOURCE CODE: UR/0000/66/000/000/0249/0252

AUTHOR: Abesadze, T. B.; Malikadze, N. L.; Chkheidze, M. V.; Shekriladze, V. I. 49

ORG: none 841

TITLE: High-current converter of low voltage levels into a code q

SOURCE: Nauchno-tekhnicheskaya konferentsiya po sredstvam promyshlennoy telemekhaniki. Moscow, 1963. Promyshlennaya telemekhanika (Industrial telemechanics); materialy konferentsii. Moscow, Izd-vo Energiya, 1966, 249-252

TOPIC TAGS: coding, binary code, analog digital encoder, optic communication, fiber optics

ABSTRACT: In view of the sensitivity of low-voltage levels to extraneous noise and the concomitant need for the use of amplification in each individual channel, the authors have developed a converter in which the level is measured by a deflecting-beam instrument, and in which the beam deflection is converted into a digital signal by means of a light-sensitive instrument (Fig. 1). The accuracy of such a converter depends both on the accuracy of the meter employed and on the minimum distance which separates two neighboring light-sensitive elements. If several light-sensitive elements are installed at each scale division, and if these elements are suitably arranged in columns, it is possible to code the results of the conversion in accordance with a prescribed law. A standard meter with sensitivity of several millivolts per scale division can be used. If an electrodynamic meter is used, it is possible to obtain in discrete code the amplitude of sinusoidal oscillations at any instant of time,

Card 1/2

L 27074-66

ACC NR: AT6012356

something which cannot be done with any other converter without the use of a rectifier. The code mask is placed on the surface of the focusing member of the instrument, and the scale can be printed photographically. Methods of eliminating the scale nonlinearity have been developed. The use of fiber optics can improve the resolution and the accuracy. Different types of optical fibers, with length of 30 cm, were tried. Types FEU-27 and FEU-31 photomultipliers were tested, and the latter turned out to be more sensitive.

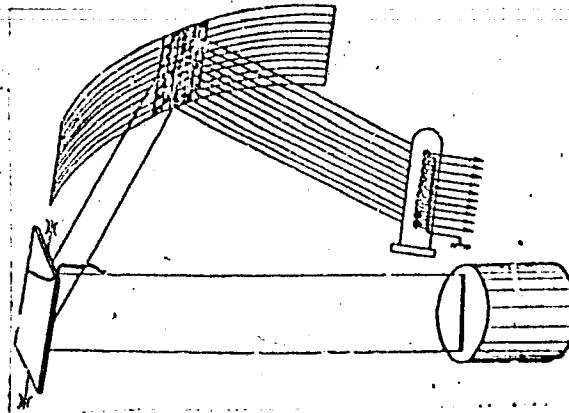


Fig. 1. Diagram of converter with focusing mirror.

A scale of 100 divisions (10 binary digits) with measurement accuracy 0.1% calls for the use of an optical mask of 0.136 x 0.6 mm area, and a maximum width of the light beam of 136 μ. The actual width chosen was 80 μ. A signal of the order of 0.5 volts was obtained in all digits. Orig. art. has: 1 figure. [02]

SUB CODE: 09/ SUBM DATE: 08Jan66/ ATD PRESS: 4258

Card 2/2 W

TAVADZE, F. N.; SAKVARELIDZE, T. N.; ABESADZE, TS. N.; DVALI, T. A.

Making iron in ancient Georgia by bushelling. Trudy Inst.
met. AN Gruz. SSR 11:95-108 '61. (MIRA 14:10)
(Georgia--Wrought iron)

AEISSALCMCV. I. S.

AEISSALCMCV. I. S. Candidate of Veterinary Sciences
EUTYRINA, P. S. Junior Scientific Geworker, Gmsk Scientific
Research Veterinary Institute.
An attempt at treating mating disease of horses with sovarsen.

Source: Veterinariya; 25; 6; June 1948; uncl
TAECCN

ABETOV, Ye.M.

Types of Upper Jurassic cross sections in southwestern spurs
of the Gissar Range and their zonal distribution. Uzb.geol.-
zhur. 6 no.4:40-52 '62. (MIRA 15:9)

1. Tashkentskiy politekhnicheskiy institut.
(Gissar Range--Rocks, Carbonate)

ABETOV, Ye. M.

Structure of the Upper Jurassic carbonate formation in the southwestern spurs of the Gissar Range and some data on the paleogeographic conditions of its formation. Uzb. geol. zhur. 6 no.5:32-39 '62. (MIRA 15:10)

1. Tashkentskiy politekhnicheskii institut.

(Gissar Range—Rocks, Carbonate)

4-ВЭТЧУЭВ, Б. О.

MUKHANOV, B.V., kandidat biologicheskikh nauk, uchitel' biologii; ABEYEV,
B.O.

Repetitive test lessons in zoology. Biol. v shkole no. 5:43-45 8-0
'57. (MIRA 10:9)

1. Srednyaya shkola No. 54, Alma-Ata (for Mukhanov). 2. Alma-Atinskiy
gosudarstvennyy pedagogicheskiy institut (for Abeyev).
(Alma-Ata--Zoology--Study and teaching)

ANNENKOV, G.; ABEYDULINA, V.

Determining the index of the level of mechanization in the
enterprises of the confectionery industry. Biul.nauch. inform.:
trud i zar. plata 5 no.3:26-30 '62. (MIRA 15:3)
(Confectioners)

ANNENKOV, G.V.; ABEYDULINA, V.A.

Method of determining the mechanization level of production in
confectionery enterprises. Khleb,i kond.prom. 6 no.6:17-21
Je '62. (MIRA 15:7)

1. Vsesoyuznyy nauchno-issledovatel'skiy institut konditerskoy
promyshlennosti.
(Confectionery--Equipment and supplies)

ABEYDULINA, V.A.; ANNENKOV, G.V.; YEPKHIYEVA, L.G.; VOROB'YEVA,
L.I., red.

[Methodology for determining the level of production mechanization in confectionery enterprises] Metodika opredeleniia urovnia mekhanizatsii proizvodstva na predpriiatiiakh konditerskoi promyshlennosti. Moskva, Izd-vo "Pishchevaia promyshlennost'," 1964. 99 p. (MIRA 17:4)

1. Moscow. Vsesoyuznyy nauchno-issledovatel'skiy institut konditerskoy promyshlennosti. 2. Tsentral'nyy nauchno-issledovatel'skiy institut konditerskoy promyshlennosti, otdel ekonomiki (for Abeydulina, Annenkov, Yepkhiysva).

VLASOV, I.I., kand. istor. nauk, dots.; ABEYDULLIN, S.K., kand. ist.nauk, dots. polkovnik; KOVALEV, S.S., kand. ist.nauk, dots., polkovnik; SHAYDAYEV, M.G., kand. ist.nauk, dots., polkovnik; SHCHEDRUNOV, V.F., kand. ist.nauk, dots.; CHEBUSHEV, I.V., polkovnik, red.; KUZ'MIN, I.F., tekhn. red.

[Party and political work in the Soviet Armed Forces; a textbook for military schools] Partiino-politicheskaia rabota v Vooruzhennykh Silakh SSSR; uchebnoe posobie dlia voennykh uchilishch. Moskva, Voen. izd-vo M-va oborony SSSR, 1961. 294 p. (MIRA 14:12)
(Russia—Armed Forces—Political activity)

ABREGAUT, A.J.

36469.

Sluchay Lecheniya Strentomitsinom Kolibatsillyarnogo
Plonnevmotoraksa. Voprosy Peditrii I Okhrany Materinstva I Detstva, 1949,
Vyp. 5, S. 55-57

SO: Ietopis' Zhurnal'nykh Statey, Vol. 49, Moskva, 1949

ABEZGAUZ, R.

ROZKINA, R. L., ABEZGAUZ, A. M.

Importance of prothrombin determination in the blood for evaluation of liver function in certain children's diseases. Vopr. pediat. 18:4, 1950. p. 34-9

1. Of the Department of Hospital Pediatrics (Head—Prof. A. F. Tur), Leningrad State Pediatric Medical Institute (Acting Director—Prof. Yu. A. Kotikov).

GLML 19, 5, Nov., 1950

11-6

CA ABELSON, A.M.

Blood clotting and a new modification of determination of prothrombin. A. M. Abelson (Leningrad State Pediatr. Med. Inst.). *Voprosy Pediatr. i Okhrany Materinstva i Detstva* 20, No. 2, 45-8 (1952).—Clinical expts. have shown that lack of blood clotting owing to deficiency of the V factor can occur and that the V factor has no effect on the 2nd phase of clotting. It is effective only in formation of thrombin. Satisfactory standard thromboplastin can be obtained from human milk by defatting by centrifuging, followed by inactivation for 16 min. at 58°. This (0.1 ml.) is treated with 0.1 ml. of CaCl₂ soln. and kept 10 sec. at 37.2-7.4°, then 0.1 ml. of test plasma is added and clotting time detd. Normal time is 23-5 sec. G. M. Kosolapoff

ABEZGAUZ, A.M.; ROZKINA, R.L.

Determination of prothrombin time in liver function test in certain diseases in children. Vopr. pediat. 20 no. 5:28-33 Sept-Oct 1952.
(CML 23:3)

1. Assistant for Abezgaus; Laboratory Physician for Rozkina. 2. Of the Department of Hospital Pediatrics (Head -- Honored Worker in Science, Prof. A. F. Tur, Corresponding Member AMS), Leningrad State Pediatric Medical Institute (Director -- Prof. N. T. Shutova).

1. ABEZGAUZ, A. S.
2. USSR (600)
4. Hemophilia
7. Case of hemorrhagic diathesis resulting from "prothrombinase" insufficiency. Klin. med. 30 no. 10 1952.

9. Monthly List of Russian Accessions, Library of Congress, March 1953. Unclassified.

~~ABEIGAUZ, D. W.~~

ABEGAUZ, A.M., kandidat meditsinskikh nauk.

Clinical aspects of sodoku disease in children. Sov.med. 17 no.11:35-38
N '53. (MLRA 6:12)

1. Iz kafedry gospital'noy pediatrii (svednyushchiy - deystvitel'nyy
chlen Akademii meditsinskikh nauk SSSR professor A.F.Tur) Leningrad-
skogo pediatricheskogo meditsinskogo instituta.
(Children--Diseases) (Fever)

ABEZGAUZ, A.N.

Treatment of diffuse glomerulonephritis of tuberculous etiology
in children. *Pediatria* no.3:My-Je '55 (MLRA 8:10)

1. Iz kafedry gosspital'noy pediatrii (sav.deystvitel'nyy chlen
Akademii meditsinskikh nauk SSSR zasluzhennyi deyatel' nauki
prof. A.F.Tur) Leningradskogo pediatricheskogo meditsinskogo
instituta (dir.prof. N.T.Shutova)

(GLOMERULONEPHRITIS, in inf. and child
caused by tuberculosis renal)

(TUBERCULOSIS, RENAL, in inf and child
causing diffuse glomerulonephritis)

ABEZGAUZ, A.M.

System of hemostasis and hemophilia; review of literature. *Pediatria*
36 no.3:88-95 Mr '58. (MIRA 11:3)

1. Iz kafedry gosital'noy pediatrii (zav.-deystvitel'nyy chlen
AMN SSSR prof. A.F.Tur) Leningradskogo pediatricheskogo meditsinskogo
instituta (dir.-prof. N.T.Shutova)
(HEMORRHAGE) (HEMOPHILIA)

ABEZGAUZ, A. M.: Doc Med Sci (diss) -- "Hemorrhagic states in children and aspects of blood coagulation in them". Leningrad, 1959. 18 pp (Leningrad Pediatric Med Inst), 250 copies (KL, No 15, 1959, 118)

ABEZGAUZ, Aleksandr Moiseyevich for Doctor of Medical Sciences on the basis of ~~the~~ dissertation defended 30 March 1959 in the Council of the Leningrad Pediatric Medical Institute, entitled: "Hemorrhagic Conditions in Children and ^{Particularities} Particulars of Coagulation of their Blood in ~~These Con-~~
~~ditions.~~" ^{them} (ENVISSO USSR, 2-61, 19)

76
~~77~~
19

ABEZGAUS, A.M.

Pseudohemophilia as a result of an insufficiency of factor
VII (convertin) in a newborn girl. *Pediatrics* 39 no.3:77-79
Mr '61. (MIRA 14:4)

1. Iz kafedry gosital'noy pediatrii (zav. - deystvitel'nyy
chlen AMN SSSR prof. A.F. Tur) Leningradskogo pediatricheskogo
meditsinskogo instituta. (INFANTS (NEWBORN)—DISEASES)
(HEMOPHILIA)

ABEZGAUZ, A.M.; KUCHER, L.S.

Familial and congenital forms of hypoconvertinemia in childhood.
Vop.okh.mat.i det. 7 no.9:31-35 S '62. (MIRA 15:12)

1. Iz kafedry gospital'noy pediatrii (zav. - deystvitel'nyy
chlen AMN SSSR prof. A.F.Tur) Leningradskogo pediatricheskogo
meditsinskogo instituta (rektor - dotsent Ye.P.Semenova).
(CONVERTIN) (HEMOPHILIA)

ABEZGAUZ, Aleksandr Moiseyevich, prof.; VOLOVIK, A.B., red.;
LEBEDEVA, G.T., tekhn. red.

[Hemorrhagic diseases in children] Gemorragicheskie zabolevania
u detei. Leningrad, Medgiz, 1963. 306 p. (MIRA 16:5)
(HEMORRHAGIC DISEASES) (CHILDREN--DISEASES)

ABEZGAUZ, A.N., prof.; BUBNOVA, M.M., prof.; GUREVICH, Ye.S., prof.;
ZHUKOVSKIY, M.A., st. nauchn. sotr.; KARYSHEVA, K.A., kand.
med. nauk [deceased]; MAZURIN, A.V., dots.; NOSOV, S.D.,
prof.; NISEVICH, N.I., prof.; RAYTS, M.M., prof.;
SOKOLOVA-PONOMAREVA, O.D.; STUDENIKIN, N.Ya., dots.;
TOKAREVICH, K.N., prof.; SHIRVINDT, B.G., prof.; DOMBROVSKAYA,
Yu.F., otv. red.; OSTROVERKHOV, G.Ye., prof., glav. red.

[Multivolume manual on pediatrics] Mnogotomnoe rukovodstvo po
pediatrii. Moskva, Meditsina. Vol.6. [Infectious diseases in
children] Infektsionnye bolezni v detskom vozraste. 1964. 680 p.
(MIRA 17:7)

1. Deystvitel'nyy chlen AMN SSSR (for Dombrovskaya,
Sokolova-Ponomareva)

ABEZGAUZ, A.M. , prof.

Functional examination of the thrombocytes in some diseases
of the hematopoietic system in children. Probl. gemat. i
perel. krovi 8 no.6:18-21 Je'63 (MIRA 17:4)

1. Iz kafedry gospital'noy pediatrii (zav. - deystvitel'nyy
chlen AMN SSSR prof. A.F. Tur) Leningradskogo pediatriches-
kogo meditsinskogo instituta.

ABEZGAUZ, A.M.; MICHURINA, I.S.

Atypical forms of hemorrhagic blood coagulation disorders.
Vop. gemat. v pediat. no.3:376-382 '64.

(MIR 18:7)

ABEGGAUZ, A.M.; ANTIFINA, E.A.

Incidence of lymphogranulomatosis in a boy with hemophilia.
Vop. gemat. v pediat. no.3:421-424. 1971.

(MIRA 18:7)

SADOV, F.I., doktor tekhn. nauk, prof.; CHAPLINA, N.D.; IVLIYEV, V.G.; LUR'YE, A.L.; ABEZGUZ, A.Ya.; DYNIN, F.M.; ESKIN, I.L.; VASIL'YEV, G.V.; GAL'PERIN, M.M., retsenzent; IL'INSKIY, N.S., retsenzent; MORYGANOV, P.V., doktor tekhn. nauk, prof., retsenzent; MOSHKIN, V.I., retsenzent; RUDAKOV, D.N., retsenzent; TSVETKOV, M.N., retsenzent; DUKHOVNIY, F.N., red.

[Design and planning of finishing factories for the cotton industry] Proektirovanie otdelochnykh fabrik khlopchato-bumazhnoi promyshlennosti. Moskva, Legkaia industriia, 1965. 355 p. (MIRA 18:7)

"APPROVED FOR RELEASE: 04/03/2001

CIA-RDP86-00513R000100120018-8

APPROVED FOR RELEASE: 04/03/2001

CIA-RDP86-00513R000100120018-8"