

L 51503-65 ENT(a)/EEU-2/ENP(1) Pq-h/Pg-h/Pk-h IJP(c) BB/GG

ACCESSION NR: AP5015343

UR/0286/65/000/009/0093/0093  
681.142.65

AUTHOR: Borozinets, B. V.; Stavrovskiy, A. N.

37  
B

TITLE: Multichannel analog storage. Class 42, No. 170759

SOURCE: <sup>16U</sup>Byulleten' izobreteniy i tovarnykh znakov, no. 9, 1965, 93

TOPIC TAGS: analog computer, computer memory, computer storage device

ABSTRACT: This Author's Certificate introduces a multichannel analog storage unit which contains keying circuits and memory elements which are made up of cathode followers with capacitors in the grid circuit. The device is simplified by connecting the output of an amplifier to the memory elements through output keying circuits. The memory units are connected through feedback resistors to input diode keys. The diodes are connected at one end to the amplifier input and at the other end to input resistors in a quantity equal to the number of channels.

ASSOCIATION: Vsesoyuznyy nauchno-issledovatel'skiy Institut elektroenergetiki

Card 1/2

L 51503-55

ACCESSION NR: AP5015343

(All-Union Scientific Research Institute of Electric Power Engineering)

SUBMITTED: 09Jul64

ENCL: 00

SUB CODE: DF

NO REF SOV: 000

OTHER: 000

Card 2/2

BOROZINETS, B.V., inzh.; GINZBURG, S.A., doktor tekhn. nauk;  
SHEIMOVICH, V.D., inzh.

Network, construction, and operational indices of the RER  
computer of the Administration of Power Production, Distri-  
bution, and Control of the Consolidated Power System of the  
European part of the U.S.S.R. Trudy VNIIE no.18:4-13 '64.  
(MIRA 18:6)

VORONTSOV, S.P.; BOROZINETS, N.A.

Unit for sorting and milling rubbles of chrome-magnesite bricks.  
Biol.tekh.-ekon.inform.Gos.nauch.-issl.inst.nauch.i tekh.inform.  
18 no.1:61-62 Ja '65. (MIRA 18:4)

*BC*  
*Borozhnikov, S. E.*

*1.1*

**Effect of ordinary and chemically preserved codings on the metabolism of the animal organism. V. S. E. Borozhnikov (Ukrain. Stepov. J., 1964, No. 143-187).--Gestating rabbits fed on chemically preserved fodder produced smaller litters than normal. Rabbits fed on this diet before gestation produced young below normal wt. and in both cases the N content of the young was below normal. E. M. W.**

BORCZNA, G.Ye., inzh.

Underground structures. Energ. stroi. no. 4:39-43 '65.  
(MIRA 18:12)

BOROZNIN, A.A.; BLOKH, E.L.; ROMANOV, G.I.; KHRENOV, G.S.; KUKUSHKIN,  
A.I., inzh., red.; TARAYEVA, Ye.K., red.izd-va; MOCHALINA,  
Z.S., tekhn. red.

[Economic effectiveness of the introduction of new techniques in  
heat insulating operations] Ekonomicheskaiia effektivnost' vnedre-  
niia novoi tekhniki v proizvodstvo teploizoliatsionnykh rabot;  
opyt tresta Stroitermoizoliatsiia. Moskva, Gosstroizdat, 1962.  
86 p. (MIRA 16:2)  
(Insulation (Heat))--Technological innovations)

BALALAYEV, G.A., inzh., red.; NEMIROVSKIY, B.S., inzh., red.;  
BOGATYKH, Ya.D., inzh., red.; BOROZNIN, A.A., inzh., red.;  
STRASHNYKH, V.P., red.izd-va; NAUMOVA, G.D., tekhn. red.

[Construction specifications and regulations] Stroitel'nye  
normy i pravila. Pt.3. Sec.V. ch.10.[Heat insulation;  
regulations for production and acceptance of work] Teplo-  
izoliatsiia; pravila proizvodstva i priemki rabot (SNiP III-V.  
10-62). 1963. 14 p. (MIRA 16:12)

1. Russia (1923- U.S.S.R.) Gosudarstvennyy komitet po delam  
stroitel'stva. 2. Gosudarstvennyy komitet po delam stroitel'-  
stva SSSR (for Balalayev). Mezhduevdomstvennaya komissiya po  
peresmotru Stroitel'nykh norm i pravil (for Nemirovskiy,  
Bogatykh).

(Insulation (Heat))—Standards)



BOROZOVA, I.A.

Origin of the six-furrowed pollen type in plants of the  
mint family. Dokl.AN SSSR 133 no.6:1465-1467 Ag '60.  
(MIRA 13:8)

1. Moskovskiy gosudarstvennyy universitet im. M.V.  
Lomonosova. Predstavleno akad. V.N.Sukachevym.  
(Pollen—Morphology)  
(Mint(Botany))

BOROZDINOV, N.M.

Stimulating the active participation of fifth grade students.  
Geog. v shkole 23 no.5:37-41 S - 0 '60. (MIRA 13:9)  
(Physical geography--Study and teaching)

BOROZDINOV, N.M.

"Methods of teaching geography" by A.V. Darinskii. Reviewed by  
N.M. Borozdinov. Izv. Vses. geog. ob-va 92 no. 4: 370-371 J1-Ag  
'60. (MIRA 13:8)

(Geography--Study and teaching)

S/103/61/022/002/002/015  
B104/B201

16.9500 (1031, 1121, 1132)

AUTHORS: Bor-Ramenskiy, A. Ye., Sun Tszyan' (Moscow)

TITLE: Optimum servodrive with two control parameters

PERIODICAL: Avtomatika i telemekhanika, v. 22, no. 2, 1961, 157-170

TEXT: The authors studied an electrical servodrive with a dynamoelectric amplifier and a d-c motor (Fig. 1). They proceeded from the equations of motion of an open circuit:

$$\begin{aligned}
 \frac{dA}{dt} = \omega, \quad J \frac{d\omega}{dt} = C(I_B) I_B I_A + M_{cr}, \quad E_r - C_m(I_B) I_B = I_r R_r, \\
 T_1 \frac{dI_A}{dt} + I_A = k_1 U_1, \quad T_2 \frac{dI_B}{dt} + I_B = k_2 U_2, \quad T_3 \frac{dE_r}{dt} + E_r = k_3 I_Y. \quad (1)
 \end{aligned}$$

where A denotes the angle of rotation of the control object,  $\omega$  the angular velocity of the motor,  $I_A$  the armature current,  $I_B$  the induction current,  $I_Y$  the control coil current,  $E_r$  the output voltage,  $U_1$  the voltage on the control coils, and  $U_2$  the motor induction voltage. The variable coefficient  $C(I_B)$  characterizes the intensity of the magnetic flux. If

Card 1/7

09171

Optimum servodrive with two...

S/103/61/022/002/002/015  
B104/B201

$T_1$  is taken to be small compared with  $T_3$ , and  $T_2$  is likewise not large, a simplified system will then be obtained for (1) using a transition to the reduced variables  $\alpha, \omega, e_r$  corresponding to  $\Lambda, \Omega, E_r$ , and introducing the constant coefficients  $\lambda, \mu, \eta, \beta$ , and the relations  $i_B = I_B/m_{I_B}, u_1 = U_1/m_{U_1}$ .

With the aid of substitutions (3) the following system is ultimately obtained:

$$x_1 = g_0 - \alpha, \quad x_2 = \frac{dx_1}{dt} = -\lambda \omega, \quad x_3 = -e_r, \quad i_B = u_2. \quad (3)$$

$$\frac{dx_1}{dt} = x_2,$$

$$\frac{dx_2}{dt} = \beta \varphi(u_2)x_3 - \eta \varphi^2(u_2)x_2, \quad (4)$$

$$\frac{dx_3}{dt} = -\mu x_3 - \mu u_1,$$

The optimum control  $u_1(t)$  and  $u_2(t)$  is then sought for any initial mismatching of system (4). Using the theorem set up by L. S. Pontryagin

Card 2/7

Optimum servodrives with two...

S/103/61/022/002/002/015  
B104/B201

regarding the maximum principle a Hamiltonian is then derived, which possesses a maximum for optimum control, and which serves to determine the latter. The synthesis of an optimum control consists in the determination of  $u_1$  and  $u_2$  as functions of  $x_1$ ,  $x_2$ , and  $x_3$ . Presupposing relations  $|\ddot{u}_1| \leq 120$  and  $16.7 \leq u_2 \leq 100$ , the author derives the relations

$$\begin{cases}
 u_2 = u_{\text{max}} & \left\{ \begin{array}{l} \text{при } x_2 > 0, x_3 > 0, \psi = x_1 - \gamma(x_2, x_3) > 0; \\ \text{при } x_2 < 0, x_3 < 0, \psi < 0, \Gamma_1 < 0; \\ \text{при } \psi = 0; \end{array} \right. \\
 u_2 = \frac{\beta x_2}{2\eta x_3} & \left\{ \begin{array}{l} \text{при } x_2 > 0, x_3 > 0, \psi > 0, \Phi_{\text{min}} < \frac{\beta x_2}{2\eta x_3} < \Phi_{\text{max}}; \\ \text{при } x_2 < 0, x_3 < 0, \psi < 0, \Phi_{\text{min}} < \frac{\beta x_2}{2\eta x_3} < \Phi_{\text{max}}; \end{array} \right. \\
 u_2 = u_{\text{min}} & \left\{ \begin{array}{l} \text{при } \Gamma_1 = x_2 - \frac{2\eta}{\beta} x_3 < 0, \psi > 0; \\ \text{при } \Gamma_1 > 0, \psi < 0; \end{array} \right. \quad (16)
 \end{cases}$$

which are analytical expressions of the optimum control as a function of  
Card 3/7

89171

Optimum servodrive with two...

S/103/61/022/002/002/015  
B104/B201

the three variables in the phase region. Diagrams for the optimum control  $u_1$  and  $u_2$  are shown in Figs. 7 and 8. Based on these syntheses, the block diagram of a servosystem (Fig. 10) is then presented. This block diagram has been checked experimentally, and the efficacy of the method suggested here has been proved at the same time. Summing up: the variational principle applied here is well usable for the synthesis of optimum quick-acting servodrives. It is of advantage compared with the linear theory of synthesis, as it is not necessary to linearize the initial equations. The quick response is mainly increased by the control calculation according to two parameters (armature current and motor-induction voltage), and the optimum control device can be built with simplest technical means. A. A. Fel'dbaum is thanked for his valuable advice. There are 15 figures and 9 references: 8 Soviet-bloc and 1 non-Soviet-bloc.

SUBMITTED: May 24, 1960

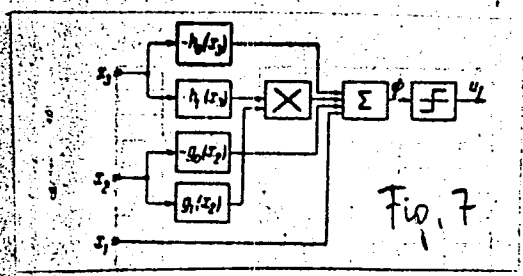
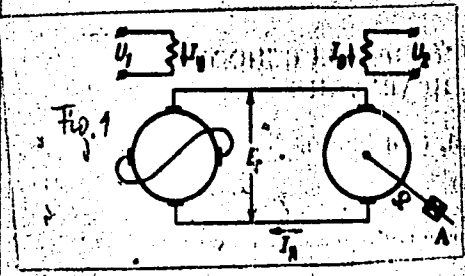
Card 4/7

Optimum servodrive with two...

S/103/61/022/002/002/015  
H104/B201

5  
10  
15  
20  
25  
30

X



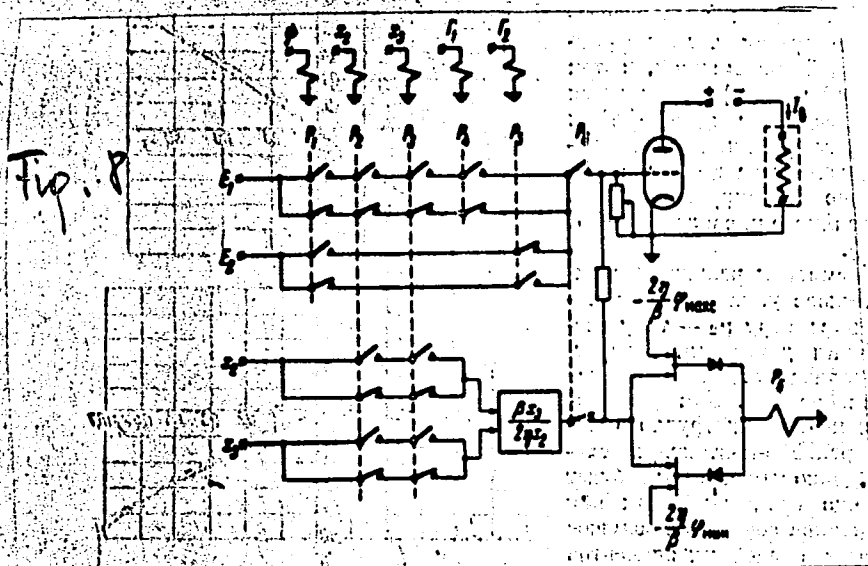
Card 5/7

80171



Optimum servodrive with two...

S/103/61/022/002/002/015  
B104/B201

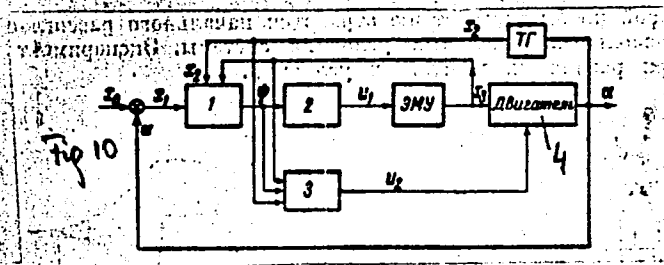


Card 6/7

Optimum servodrive with two...

S/103/61/022/002/002/015  
B104/B201

Legend to Fig. 10:  
1 is the control device  
in the main channel, 2 a  
summator, 3 a control  
block in the motor-induction  
circuit, ЭМУ is a dynamo-  
electric amplifier, 4 is an  
ММ-32 (MI-32) d-c motor.



Card 7/7

TODOR, V., dr; EFANOV, A., dr; BORS, A., dr.

Ambliasis, a factor in prolonged evolution of epidemic  
hepatitis. Med. int., Bucur. 12 no.1:33-41 Ja '60.  
(HEPATITIS INFECTION, complications)  
(GIARDIASIS, complications)

COPELOVICI, Y.; GRUIA, M.; CIOBANESCU, M.; in colaborare cu PETRUSCA, J.;  
BORS, A.; EFANOV, A.; HONDOR, C.

Investigations of the immunogenic value of a mumps vaccine prepared  
with autochthonous strains. Stud. cercet. inframicrobiol. 13 no.4:  
473-480 '62.

(MUMPS VIRUS)      (VACCINES)      (IMMUNIZATION)

BORS, C.

Torsion, stretching, and bending of cylindrical bars composed of various anisotropic materials. p. 163

Academia Republicii Populare Romine. Filiala Iasi. STUDII SI  
CERCETARI STIINTIFICE. MATEMATICA. Iasi, Rumania. Vol. 8, no. 2  
1957

Monthly list of East European Accessions (EEAI) LC Vol 8, No. 6, June 1959  
Uncl.

BORS, C.

Relations between tensions and creep deformations of orthotropic bodies.  
p. 125

Academia Republicii Populare Romine. Filiala Iasi. STUDII SI  
CERCETARI STIINTIFICE. MATEMATICA. Iasi, Rumania. Vol 9, no. 1  
1958

Monthly list of East European Accessions (EEAI) LC Vol 8, No. 6, June 1959  
Uncl.

BORS, C. I.

Torsion of the bars formed of several transversally isotropic materials with slightly curved axis. Studii mat Iasi 12 no.1:179-188 '61.

1. Membru al Comitetului de redactie "Studii si cercetari stiintifice, Matematica" [Academia Republicii Populare Romine, Filiala Iasi].

BORS, G.I.

General problem of bending cylindrical bars composed of  
several orthotropic materials. Studii mat Iasi 13  
no.1:195-202 '62.



BORS, C.I.

Three-dimensional problem of thermoelasticity of isotropic transverse bodies. Bul. Ac.Pol. tech. 11 no.5:253-257 '63.

1. Seminaire Mathematique, Universite "Al.I.Cuza", Iassy, Roumanie. Presente par W. Nowacki.

BORS, C., prof. inv. mediu (Piatra Neamt)

One of D. Pompeiu's theorems. Gaz mat fiz 15 no.2:71-73 F '63.

BORS, C.I.

Plane deformation in anisotropic bodies with an elastic  
symmetry plane. Studii mat Iasi 14 no. 2:377-386 '63.

BORS, C.I.

Studies on the mechanics of the deformable solid at Iasi  
during the years of the people's regime. Gaz mat fiz 69  
no. 7:246-250 J1 '64.

ROMAN, A. BORS, D.

A unidimensional nonholonomic manifold. Studii mat Iasi 12  
no.2:285-290 '61

IOANID, N., prof.; BORS, G., assist. prof.

Contributions to the toxicological investigation of nicotine.  
Rumanian M Rev. no.2:85-87 Ap-Je '60.  
(NICOTINE toxicology)

**Torsion, Elongation and Bending of Orthotropic Rods Made of Several Types of Materials**

Bors, C. J. La torsion, l'allongement et la flexion des barres orthotropes, formées de plusieurs matériaux. Acad. R. P. Roum. Fil. Iași. Stud. Cerc. Ști. Mat. 7 (1956), no. 2, 33-73. (Romanian. Russian and French summaries)

Theory of the torsion and bending of composite bars due to Mushelišvili [Some basic problems of the mathematical theory of elasticity, Noordhoff, Groningen, 1953; MR 15, 370] and others is extended to the case where the different materials have a plane of elastic symmetry perpendicular to the axis of the bar but are not isotropic. The earlier article considers orthotropic materials only.  
*R. C. T. Smith (Armidale)*

*Structure*  
**1-FW**

*AR*  
*1/1*

Study of the Equation of Statics of Anisotropic Bodies With the Aid of the Fourier Transform

Borg, C. I. L'étude des équations de la statique des corps anisotropes, à l'aide des transformations de Fourier. Acad. R. P. Roum. Fil. Iași. Stud. Cerc. Ști. Mat. 7 (1956), no. 2, 99-106. (Romanian. Russian and French summaries)

Lehnickii [Theory of elasticity of an anisotropic body, Gosudarstv. Izdat. Tehn.-Teor. Lit., Moscow, 1950; MR 13, 182], for anisotropic bodies in equilibrium with stresses independent of  $z$ , has introduced stress functions and given the equations they satisfy. The author applies Fourier transforms to these equations and, in particular, considers stress distributions in a half space.

R. C. T. Smith (Armidale)

3  
1-FW





BORS, C. profesor inv. mediu (Piatra Neamt): LINDERSTEIN, C., profesor  
inv. mediu (Piatra Neamt)

First summer course for professors of mathematics; Piatra Neamt, 1961  
Gaz mat fiz 14 no.2:106-108 F '62

BORS, G.

Protection of nature in the Crimea. p. 150.

OCROTIREA NATURII. (Academia Republicii Populare Romine. Comisia pentru  
Ocrotirea Monumentelor Naturii) Bucuresti.

No. 1, 1955

SOURCE: East European List (EEAL) Library of  
Congress, Vol. 6, No. 1, January 1957



BORS, Gh.

RUMANIA / Chemical Technology. Chemical Products and Their H-6  
Application. Safety Engineering. Sanitary Engineering

Abs Jour : Ref Zhur - Khimiya, No 2, 1958, 5175

Author : Ioanid N., Bors Gh., Popa I., Zvinca El.,  
Stanoiu I.

Inst : Not Given

Title : Toxicological Analysis of the Air in the Pro-  
duction of Furfurol.

Orig Pub : Farmacia (Romin.), 1957, 5, No 1, 18-24

Abstract : The analyses have shown that concentrations of  
furfurol exceed the maximum permissible. A  
number of prophylactic measures are proposed.

Card : 1/1

BORS, Gh. ~~SA, BORS~~

RUMANIA / Analytical Chemistry. Analysis of Organic Substances

E-3

Abs Jour : Ref Zhur - Khim., No 10, 1958, No 32240.

Author : N. Ioanid, Gh. Bors, I. Popa.

Inst : -

Title : New Forensic-Chemical Data Concerning Chloropicrin

Orig Pub : Farmacia (Romin.), 1957, 5, No 4, 295-299

Abstract : Two methods were used for the extraction of chloropicrin (I) from organs of a human being, which had committed suicide by poisoning. These methods were: 1/ treatment of the organs with steam and 2/ extraction with ethyl alcohol with a following treatment with steam. The presented results show that the first method yields better results. No poison was detected in the cerebrum and spleen. The greatest amount of I was found in the stomach and its contents and, in a decreasing order, in the kidneys, liver, intestines and their contents, blood and lungs. It established at

Card 1/2

RUMANIA / Analytical Chemistry. Analysis of Organic  
Substances.

E-3

Abs Jour : Ref Zhur = Khim., No 10, 1958, No 32240

the same time that the method of I determination by Fuji-  
wara's reaction yielded worse results as compared with the  
volumetric method.

Card 2/2

END  
27

DORS, G.H.

Distr: 4E2c

Methods of collection and analysis of some toxic admixtures in industrial atmospheres. The determination of carbon monoxide; its effect and the mechanism of the same on palladium chloride + heteropolyacid. N. Icauld, Gh. Borg, I. Popa, and L. Armăşescu (Fac. farm., Bucharest, Rumania). *Lucrările prezentate conf. naț. farm., Bucharest*

1958, 233-41.—The system of PdCl<sub>2</sub> + phosphotungstomolybdic acid (I) is used for the detn. of CO. The method suggested utilizes the action of the CO on PdCl<sub>2</sub> in assocn. with I. The mechanism of the action is outlined as follows: The CO first affects the PdCl<sub>2</sub>, the reduced Pd then acts as a reducing agent on the heteropolyacid, indicated by the appearance of a blue color. When using the reagent in the proportion of 3 ml. 0.1% PdCl<sub>2</sub> + 3 ml. Folin-Ciocalteu reagent (C.A. 21, 3210), const., comparable, and reproducible results can be obtained, necessitating only 15 min. for the total reaction. Mohr salt has the same effect on the above reagent as CO and was, therefore, used as standard. The limit of sensitivity is 0.008 mg. CO for a final diln. of a soln. of 10 ml., and 0.015 mg. CO for a final diln. of 25 ml. If H<sub>2</sub>S, SO<sub>2</sub>, or N<sub>2</sub>O are also in the air, they must be eliminated before the CO detn. by conducting the air first through a flask contg. NaAsO<sub>2</sub>, Na arsenate, NaOH, and distd. water. Felicitas D. Goodman

20  
11



SURNAME, Given Names

BORS, G. A. ①  
Country: Rumania

Academic Degrees:

Affiliation: -not given-

Source: Bucharest, Igiena, Vol IX, No 4, Sep-Oct 1961, pp 319-322.

Data: "Distribution of Benzene in a Case of Acute Accidental Poisoning  
by Inhalation."

Authors:

IOANID, N., -Prof.-

BORS, G., -Conf.-

ZVING., Elena, -Pharmacist.-

GPO 981643

BORS, Gh.

Bucharest, Parasita, Vol I, No 5, May 62

1. "Seroprevalence Determination of Venereal," Prof. Gh. GABRIEL, Parasita, No. 4, 1962, pp. 21-24.
2. "Seroprevalence Determination of Venereal," Prof. Gh. GABRIEL, Parasita, No. 4, 1962, pp. 21-24.
3. "Seroprevalence Determination of Venereal," Prof. Gh. GABRIEL, Parasita, No. 4, 1962, pp. 21-24.
4. "Seroprevalence Determination of Venereal," Prof. Gh. GABRIEL, Parasita, No. 4, 1962, pp. 21-24.
5. "Seroprevalence Determination of Venereal," Prof. Gh. GABRIEL, Parasita, No. 4, 1962, pp. 21-24.
6. "Seroprevalence Determination of Venereal," Prof. Gh. GABRIEL, Parasita, No. 4, 1962, pp. 21-24.

53  
215

RUMANIA 3

IOANID, N., Professor; BORS, Gh., Lecturer; POPA, I., MD;  
ARMASESCU, L., Pharmacist.

Toxicology Laboratory of the School of Pharmacy, Bucharest  
(Laboratorul de toxicologie al Facultatii de farmacie,  
Bucuresti) - (for all)

Bucharest, Farmacia, No 6, Jun 63, pp 349-352

"Application of the Sulfanylamidochrysoidin-Forming Reaction  
to Determine the Amount of Chloropicrin in the Air."

4

IOANID, N., prof.; BORS, Gh., conf.; STANESCU, Gh., ing.; PAPA, I., dr.

Contributions to the problem of degasing cereals subjected  
to disinfection with hydrocyanic acid. Pt.2. Ind alim veget  
13 no.2:45-48 F '62.

IOANID, N., prof; BORS, Gh., conf.; STANESCU, Gh., ing.; POPA, I., dr.

Contributions to the problem of degasing cereals subjected to disinfection with hydrocyanic acid. Pt.1. Ind alim veget 13 no.1:1-5 Ja '62.

1. Decan, Facultatea de farmacie (for Ioanid).
2. Facultatea de farmacie (for Bors).
3. Director din C.S.V.P.A. (for Stanescu).
4. Sef lucrari, Institutul de medicina judiciara (for Popa).

Urology

HUNGARY

KINGSES, Jozsef, Dr, CSASZAR, Jozsef, Dr, BORS, Gyozo, Dr, RADLER, Antal, Dr, ZSIFKOVICS, Istvan, Dr; Medical University of Pecs, Urological Clinic (director: BALOGH, Ferenc, Dr) (Pecsi Orvostudományi Egyetem, Urologiai Klinika), Pecs City Ambulant Services, Urological Specialist Service (director: KOEOR, Jozsef, Dr) (Pecsi Varosi Rendelőintézet, Urologiai Szakrendelő), and Medical University of Pecs, II. Surgical Clinic (director: KARLINGER, Tihamer, Dr) (II. Sebészeti Klinika).

"Experimental Data on the Effect of Various Anaesthetic Procedures on Renal Function."

Budapest, Orvosi Hetilap, Vol 108, No 7, 12 Feb 67, pages 296-298.

Abstract: [Authors' Hungarian summary] The effect of various anaesthetic procedures on renal function has been studied and the observations made are reported. It is stressed that an impairment of renal function must be reckoned with not only in urological operations but in other surgical procedures as well, especially when the patients are of advanced age. Particular importance is attributed to the combined effect of surgical stress and anaesthesia on renal function in the case of absent or impaired concentrating ability. Therefore, it is recommended that the question of renal contraindication be also raised before every more major surgical intervention. } Hungarian, 2 Western references.

1/1

CZIRBUSZ, Gyorgy; BORS, Gyozo

Changes in a large blood drop in patients suffering from severe diseases. Kiserletes Orvostud. 11 no.5:530-535 0 '59.

1. Pecsí Orvostudományi Egyetem Urológiai Klinikája.  
(NEOPLASMS blood)  
(CHRONIC DISEASE blood)

HUNGARY

KINCSES, Jozsef, Dr, BORS, Gyozo, Dr, GOTZ, Frigyes, Dr; Medical University of Pecs, Urological Clinic (Pecsi Orvostudományi Egyetem, Urológiai Klinika).

"The Use of Glutarimide Derivatives in Urology, Especially During Surgical Preparation of Patients With Chronic Pyelonephritis."

Budapest, Orvosi Hetilap, Vol 104, No 26, 30 June 63, pages 1224-1226.

Abstract: [Authors' Hungarian summary] The authors investigated the effect of  $\alpha$ -phenyl- $\alpha$  ethyl-glutaric acid imide on the function of the kidney and report their findings in the course of treatment in 140 cases. The drug is useful for surgical preparation and sedation of elderly patients with advanced renal insufficiency or tubular lesions, where oliguria caused by the sedative should be avoided and the increased diuresis is advantageous for the compensation of surgical stress. It is also valuable during instrumental examinations which are better tolerated by the patients without a decrease in the glomerular filtration rate. 2 Hungarian, 20 Western references.

1/1



KINCSES, J.; CSASZAR, J.; BORS, Gy.; ZSIFKOVICS, I.

Experimental data on the effect of various anesthetic methods on the kidney function. Acta chir. acad. sci. Hung. 6 no.4: 417-423 '65.

I. Urologische Klinik (Direktor: Prof. Dr. F. Balogh) und II. Chirurgische Klinik (Direktor: Prof. Dr. T. Karlinger) der Medizinischen Universität Pecs, und Städtisches Urologisches Fachambulatorium (Chefarzt: Dr. J. Kobor), Pecs. Submitted January 18, 1965.

HUNGARY

GOTZ, Frigyes, Dr, BORS, Gyozo, Dr; Medical University of Pecs, Urological Clinic (director: BALOGH, Ferenc, Dr, prof.) (Pecsi Orvostudományi Egyetem, Urológiai Klinika).

"A Rare Complication of Bladder Diverticulum."

Budapest, Magyar Sebeszet, Vol XIX, No 4, Aug 66, pages 260-262.

Abstract: [Authors' Hungarian summary] The possible locations of bladder diverticulum are discussed and a case of diverticulum is described which perforated into the hypogastric artery and resulted in the death of the patient. 3 Eastern European, 18 Western references.

1/1

- 77 -

1/1

HUNGARY

BORS, Dr. Gyozo; BALOGH, Dr Ferenc; and PINTER, Dr Jozsef; Urological Clinic (Urologiai Klinika) of the College of Medicine (Orvostudományi Egyetem), Pecs.

"Clinical Experiences with the Treatment of Cancer of the Bladder with Cytostatics"

Budapest, Magyar Onkologia, Vol 10, No 4, Dec 1966; pp 232-235.

Abstract [Authors' English summary, modified]: It is shown that it is necessary to administer cytostatics to patients with inoperable tumors of the bladder, in addition to applying highly developed therapeutical methods. Cytostatics may be administered also in cases where other methods (operation, X-ray irradiation) are not applicable. Objective as well as subjective improvement can be achieved with cytostatic treatment. 3 References, of which 1 Hungarian, other 2 German.

BCRS, G.I.

Thermal stresses in orthotropic figures in the case of plane problems. Studii mat Iasi 14 no.1:187-192 '63.

5025, 111  
K. Bors:

The theory of faults and the characteristics of gauging instruments -  
Hibaelmélet és meretelleneszo muszerek jellemzoi.  
B udapest, 1954, METI, 112 p., Ft 18-

LL

BORS, K.

The surveyor's table of the MOM MF type in Hungarian Optical Works. p. 56  
(Geodezia es Kartografia Vol. 8, no. 1, 1956 Budapest)

SO: Monthly List of East European Accession (EEAL) LC, Vol. 6, no. 7, July 1957. Uncl.

BORS KAROLY

HUNGARY/Optics - Optical Technology

K-4

Abs Jour : Ref Zhur - Fizika, No 3, 1958, No 6873

Author : Bors Karoly

Inst : Not Given

Title : 80th Anniversary of Hungarian Optical Instruments

Orig Pub : Geod. es kartogr., 1956, 8, No 4, 311-321

Abstract : Survey article

Card : 1/1

BORS, Karoly

Problems of the construction of modern theodolites: a one-second  
theodolite of the Hungarian Optical Works. Geod kart 12 no.2:77-87  
°60. (EEAI 9:9)

Hungary--Theodolites)



S.P. Bors, L

Protection

1951

621.316.925.45 : 621.316.1

149. Selective protection of village distribution networks. L. Bors. *Elektrotechnika*, 44, 247-51 (Aug., 1951) in Hungarian.

The author believes that selective protection of distribution networks from the distribution transformer to the consumer can be obtained by suitably chosen fuses and automatically operating cut-outs. Experiments were carried out on a suitable distribution network of a village in Hungary to test the performance of such a protection system. A diagram of the distribution network on which the tests were carried out and information on the obtained test results are given, including oscillograms of the voltage and current curves during the short-circuit tests.

S. ORSO

Jan 52

FCRS, I.

FCRS, I. Development of materials for wiring and installation. p. 14.

Vol. 4, No. 1, Jan. 1956.

VILLANCOSSAC.

TECHNOLOGY

Budapest, Hungary

So: East Europe Accession, Vol. 5, No. 5, May 1956

BCRS, Lidia

Photometric determination of the benzyl nicotinate of the  
Revulsin ointment. Studii chim Iasi 13 no.2:277-282 '62.

ALEXA, Gh.; BORS, Lidia; CARACULACU, Georgeta; MATEI, E.

Contributions to the improvement of tannin extraction in alkaline medium from spruce fir bark and the purification of tanning juices by ion exchanges. *Ștudiul chim Iasi* 14 no.1:123-130 '63.

1. Academia R.P.R. Filiala Iasi, Institutul de chimie "P.Poni",  
Sectia de chimie organica.

SZABO, St., conf.; DEZSI, Z., conf.; BORS, N., conf.

The effect of cerebral excitation states on a non-conditioned vascular reflex. Rev. st. med., med. int., Bucur. 6 no.1:41-47 Jan-Mar 54.

1. I.M.F. Tg. Mures - Lab. de Fisiologie.

(REFLEX

vascular, non-conditioned, eff. of emotion 7 thinking)

(THINKING

eff. on non-conditioned vascular reflex)

(EMOTIONS

eff. on non-conditioned vascular reflex)

RUMANIA / Human and Animal Physiology (Normal and Pathological). Nervous System. General Problems

Abs Jour: Ref Zhur-Biologiya, No 21, 1958, 97848

Author : Barbu, Z., Bors, M., Horvath, P., Nacsadi, B.  
Charap, Gh., Alexa, M.

Inst : Not given

Title " On Cutaneo-Galvanic Reflex in Tuberculosis

Orig Pub: Rev. med. (RPR), 1955, 1, No 3, 35-40

Abstract: No abstract.

Card 1/1

78

GUNDISCH, M., prof.; FESZT, T.; BARBU, Z.; BORS, M.

A histochemical study of alkaline phosphatase in experimental tuberculosis influenced by chlorpromazine. Rumanian M Rev. no.4: 7-10 0-D '60.

1. This work was carried out at the Chair of Histology (Prof. M.Gündisch) and in the Clinic of Phthisiology (Prof. Z. Barbu). Medicopharmaceutical Institute, Tirgu-Mures.

(TUBERCULOSIS, PULMONARY experimental) (PHOSPHATASES metabolism)  
(CHLORPROMAZINE pharmacology)

BORS - MARTA

BAHBU, R., Zenko, dr.; ~~BORS, Marta, dr.~~; CHARAP, Gyorgy, dr.;  
BAROTHY, Miklos, dr.; SZIMA, Zoltan, dr.; ALEKA, Maria

Study of the nervous system in tuberculosis. Tuberk. kerdesei  
9 no.5:193-200 Oct 56.

1. A Marosvasarhelyi Orvostudományi és Gyógyszertészeti  
Felsőoktatási Intézet tudósklinikájának (vezető: Barta, R.  
Zeno, dr. egy. ny. r. tanár) közleménye.

(TUBERCULOSIS, physiol.  
NS funct., testing methods (Hun))  
(NERVOUS SYSTEM, in various dis.  
tuberc., funct. tests (Hun))



SZABO, St.; BAREU, Z.; LAPHOS, Eva; GRIDNEVA, Alla L.; MODY, F.; BOES,  
Marta; MEZ, Olga; JAKAB, Fr.

Clinical and experimental investigations on autoantibodies in  
silicosis. Rumanian med. rev. 19 no.1:52-57 Ap-Je'65.

BORSA, Gedeon

A 1501 news from Buda on the oldest globe representing America.  
Geod kart 14 no.2:116 '62.

BCRSA, Gedeon

Two xylographic astronomical charts by Honter, 1532. Term tud kozl  
7 no.3:131-133 Mr '63.

SPINU, I.; BALDOVIN-AGAPI, Coralia; BIRZU, I.; MIHALCO, Florica; ROMAN, V.  
ROMAN, Stela; BORSAI, Leia; TOMESCO, Elena; KY, Tran

Distribution, according to phage groups and antibiotic sensitivity,  
of pathogenic strains of staphylococci isolated in North Vietnam.  
Arch. roum. path. exp. microbiol 21 no.1:143-153 Mr '62.

1: Travail du Ministere de la Sante et des Prevoyances Sociales,  
Direction Generale Sanitaire Antiepidemique, de l'Institut, "Dr.  
I. Cantacuzino" -Service des Cocci Pathogenes et de l'Institut de  
Microbiologie de Hanoi.

(STAPHYLOCOCCUS) (ANTIBIOTICS) (DRUG RESISTANCE, MICROBIAL)

LUPU, N.GH., Academician; GOLDSTEIN, I.; BALDOVIN, C.; KAHAN, A.; RADENSKI, A.;  
STOICHITA, M.; MIHALCU, FL.; COTARCEA, S.; CHIRESCU, M.; MENDELOVICI, F.;  
BORSAL, L.

Comments on the epidemiology and clinical aspects of streptococcal infections (rheumatic disease, nephropathy); studies of mass prevention. Probl. reumat., Bucur. no.5:19-27 1958.

1. Institut de terapeutica al Academiei R.P.R., Institutul de microbiologie si epidemiologie Dr I. Cantacuzino si Sanepidul Capitalei.

(STREPTOCOCCAL INFECTIONS

epidemiol. in Rumania, clin. aspects & prophylaxis)

(RHEUMATISM, epidemiology

in Rumania, correlation with streptoc. infect.)

(KIDNEY DISEASES, etiol. & pathogen.

streptoc. infect., incidence in Rumania)

BORSAL, LEA (L)

SURNAME (in caps); Given Names

Country: Rumania

Academic Degrees:

Affiliation: -not given-

Source: Bucharest, Microbiologia, Parazitologia, Epidemiologia, Vol VI,  
No 5, Sep-Oct 1961, pp 413-419.

Data: "The Sensitivity to Penicillin of Pyogenic Group A Streptococci."

Authors:

BAIDOVIN-AGAPI, Coralia, -Dr.-

MIHAICU, Florica, -Dr.-

BORSAL, Lea, -Dr.-

BUIBUC, Ana, -Dr.-

CIUCA, M.; BALDOVIN-AGAPI, Coralia; MIHALCO, Florica; GHEORGHIU, Melania;  
BORSAL, Leia

Types of hemolytic streptococci in relation to the endemo-epidemicity  
of scarlatina in Rumania in the 1945-1959 period. J. hyg. epidem.,  
Praha 5 no.3:257-266 '61.

1. Travail de l'Institut "Dr. I. Cantacuzino" - Service des Cocci  
pathogenes, Bucarest.

(SCARLET FEVER epidemiol) (STREPTOCOCCUS)

L 41177-66 T JK

ACC NR: AP6030836

SOURCE CODE: RU/0023/66/011/001/0031/0039

AUTHOR: Rusu, V. (Doctor); Andronesu, C.--Andronesku, K. (Doctor); Borsai, L.--  
Borshay, L. (Doctor); Marion, M. (Doctor); Baron, O. (Doctor) 24

ORG: "Dr. I. Cantacuzino" Institute of Microbiology, Parasitology and Epidemiology<sup>B</sup>  
(Institutul de microbiologie, parazitologie si epidemiologie "Dr. I. Cantacuzino")

TITLE: Considerations on the etiological diagnosis of listerian meningitis <sup>6</sup> [This  
paper was presented at Scientific Session "100th Birthday of Professor I. Cantacuzino"  
held in November 1963.]

SOURCE: Microbiologia, parazitologia si epidemiologia, v. 11, no. 1, 1966, 31-39

TOPIC TAGS: diagnostic medicine, bacteriology, infective disease

ABSTRACT:

In view of the difficulties encountered in the first case in Rumania of an identified human strain of Listeria monocytogenes, the authors discuss: observations relating to each stage of the diagnosis, with emphasis on unusual aspects; the establishment of a differential diagnosis and avoidance of confusion with other germs such as corinebacteria, enterococci, etc.; a diagnostic scheme for the diagnosis of human listeriosis, especially neurolisteriosis, adaptable for use in any bacteriological laboratory. The authors thank Professor N. Stamatin for the supply of corinebacteria and erisipelotrix provided. The authors also thank Doctor Al. Pop. for assistance with the diagnosis. Orig. art. has: 1 table. /JPRS: 35,811/

SUB CODE: 06 / SUBM DATE: 02Feb65 / ORIG REF: 005 / OTH REF: 008  
Card 1/1



BALAZS, M.; BORSAN, D.; FRODA-SCHECHTER, M.; HAMBURG, P.

Relations among a multitude of parts. Rev math pures 8 no.3:  
477-491 '63.

BALAZS, M.; BORSAN, D.; HAMBURG, P.

Relation compatibility. Studia Univ B-B S. Math-Phys 9 no.1:  
7-19 '64.

FODOR, O., prof.; STANESCU, L., dr.; COSMA, V., dr.; ITU, I., dr.; FRATILA, I.,  
dr.; MUNTEANU, P., dr.; SCHWARTZ, M., dr.; CIOFU, Gh., dr.; ILEA, V.,  
dr.; COTUL, S., dr.; DUMITRASCU, D., dr.; BORSAN, I., laborant

Clinical and epidemiological research on the evolution toward  
chronicity of acute epidemic hepatitis. Med. intern. (Bucur.)  
16 no.12:1505-1510 D '64

1. Lucrare efectuata in Clinica a III-a medicala, Institutul  
medico-farmaceutic, Cluj.

TOTH, Emil, dr.; BORSANY, Gabor, dr.

Simultaneous appendicitis and rupture of a cyst of the corpus luteum.  
Magy. sebesz. 15 no.4:269-271 J1 '62.

1. Ozd Varosi Korhaz (Igazgato: Dobrogi Andras dr.) Szuleszeti es  
Nogyogyaszati Osztalyanak (Foorvos: Gavaller Istvan dr.) es Sebeszeti  
Osztalyanak (Foorvos: Kardos Geza dr.) kozlemenye.

(APPENDICITIS case reports) (CYSTS case reports)  
(CORPUS LUTEUM neopl)

BOUSSENI, Angela, V., med. student

Public health in the French speaking countries of Western Africa.  
Gaz. hebdom. 106 no.11:511-514 14 Mr'65

BORSANYI, Gabor, dr.; BARTA, Gabor, dr.

Treatment of patients in a dispensary. Orv. hetil. 105  
no.47:2239-2241 22 N '64.

1. Ozdi Varosi Korhas, Rendelointezet.

BARTs, Gabor, dr.; BORSANYI, Gabor, dr.

Care for cardiac patients. Orv. hetil. 105 no.52:2471-2473  
27 D '64.

1. Czdí Városi Korház, Rendelőintézet.

BORSANYI, Istvan, dr.

Case of dystopia renis causing diagnostic error. *Magy. noorv. lap.*  
19 no.2:123-126 Mar 56

1. A Balassagyarmati Korhaz (igazgato foorvos Dobos Imre dr.)  
szuleszetinogyogyaszati osztalyanak (foorvos Stefancsik Szilard dr.)  
kozlemenye.

(KIDNEYS, abnorm.  
ectopia in women, differ. diag. (Hun))

(ABNORMALITIES  
ectopic kidney in women, differ. diag.(Hun))



BORSANYI, Karoly, gimn.tanar

"A history of black Africa" by Endre Sik. Reviewed by Karoly Horsanyi. Magyar Tud 69 no.3:196-198 Mr '62.

1. Eotvos Jozsef Gimnazium, Budapest.

BORSANYI, Karoly, egyetemi adjunktus

The African revolution. Magy tud 70 no.1:19-31 Ja '63.

1. Eotvos Lorand Tudomanyegyetem.

ANDRIAN, A.; COJOCARU, Gh.; BORSARU, I.; APTENIE, B.; STEFANESCU, C.

Thoracoplasty in pulmonary tuberculosis. The results obtained in 428 cases (620 surgical interventions) at the end of 5-15 years following the operation. Rumanian M Rev. no.2:24-27 Ap-Je '60.

(TUBERCULOSIS, PULMONARY surgery) (THORACOPLASTY)

IONESCU, Muscel, I., prof.; COTIGARU, B., lector; KEIMER, I., lector;  
REBEDEA, C., lector; MOLDOVAN, I., ing.; BORSATTI, M.;  
IONESCU, Muscel-Ianculescu, M., ing.; GREAVU, V., ing.

Importance of the economist expert in the science of  
commodities in the improvement and quality control of  
products. Industria usoara 10 no.8:356-360 Ag '63.

BOZSAY, J.; KARADY, I.

Thrombin inactivation and the adaptation syndrome. Acta physiol. hung.  
2 no.3-4:539-547 1951. (CIML 22:1)

1. Of the Institute of Pharmacology and of the Surgical Clinic, Szeged  
University.

BORSAY, J. DETTRE, G. MERA, Z.

Hemostatis with thrombin. Orv. hetil., Budap. 92 no.31:1010-1012  
5 Aug 1951 (CIML 21:1)

1. Doctors
2. Surgical Clinic (Director -- Prof. Dr. Gyula Jaki), Szeged  
Medical University.

BORSAY, J.; CSIPAK, J.

~~www.kiss-kiss.com~~

Cryotherapy of experimental abscesses. Orv. hetil., Budap. 92 no.37:  
1198-1200 16 Sept 1951. (GLML 21:2)

1. Doctors. 2. Surgical Clinic (Director -- Prof. Dr. Gyula Jaki),  
Szeged University.

BORSAY, Janos, dr.,; CSILLAG, Anna, dr.,; KURUCZ, Janos, dr.

Incidence of coccidioidomycosis in our country. Orv. hetil. 96  
no.49:1364-1369 4 Dec 55.

1. Az Allami Fodor Jozsef Tbc. Gyogyszerzet (igazgato: Risko  
Tibor dr.) az Orszagos Kozegeszsegugyi Intezet (foigazgato: Tako  
Jozsef dr.) es az Orszagos Koranyi Tbc. Gyogyszerzetenek (igazgato:  
Dessauer Pal dr.) kozlemenye.

(COCCIDIOIDOMYCOSIS, epidemiology  
in Hungary, diag. & pathol. (Hun))



BIKICH, Gyorgy, dr.,; BORSAY, Janos, dr.,; PAPP, Andras, dr.

Cases of Cushing syndrome in relationship to antituberculous therapy. Tuberk. kerdesei 9 no.1:22-23 Feb 56

1. Az Allami Fodor Jozsef Tbc Gyogyintezet (igazgatofoorvos: Risko Tibor dr.) es a Janos Korhas Rendelointezet (igazgato: Rochlitz Karoly dr.) Anyagcsere (cukorbeteg) Szakrendelesenek kozlemenye.

(CUSHING SYNDROME, etiol. & pathogen.

isoniazid ther. in osteoarticular tuberc. (Hun))

(NICOTINIC ACID ISOMERS, inj. eff.

isoniazid causing Cushing synd. in osteoarticular tuberc. (Hun))

(TUBERCULOSIS, OSTEOARTICULAR, ther.

isoniazid, causing Cushing synd. (Hun))

BORSAY, Janos, dr.

Counselling and care in osteoarticular tuberculosis in Pest county. Tuberk. kerdesei 9 no.2:60-62 Apr 56.

1. Az Allami Fodor Jozsef TBC. Gyogyintezet (igazgato-foorvos: Risko, Tibor dr.) es a Pestmegyei Tbc. Gondozo (veszeto-foorvos: Stark, Janka dr.) kozlemenye.

(TUBERCULOSIS, OSTEOARTICULAR, prev. & control in Hungary, organiz. & management of care in rural areas. (Hun))

RISKO, Tibor, dr.; BORSAY, Janos, dr.; LELIK, Ferenc, dr.

Surgery of lumbar spinal tuberculosis complicated with psoas abscess. Magy. sebeszet 9 no.2:83-90 Apr 56

1. Az All. Fodor Jozsef Tbc. Gyogyintezet kozlemenye Igazgatofoorvos: Risko Tibor dr.

(TUBERCULOSIS, SPINAL

lumbar, compl., psoas abscess, x-ray diag. & surg.  
(Hun))

(ABSCESS

psoas, in lumbar spinal tuberc., x-ray diag. & surg.  
(Hun))

BORSAY, Janos, Dr.

Therapy of osteoarticular tuberculosis in connection with the Second European Symposium on the Semmering. Tuberkulozis 11 no.3-5:119-120 Mar-May 58.

I. Az Allami Fodor Jozsef Tbc. Gyogyintezet (igazgato-foorvos: Risko Tibor dr.) II. Sebesszeti osztalyanak (foorvos: Borsay Janos dr.) kozlemenye.

(TUBERCULOSIS, OSTEOARTICULAR, ther.  
modern trends (Hun))

EXCERPTA MEDICA Sec 15 Vol 12/8 Chest Dis. Aug 59

1958. HEALING PROCESSES IN TUBERCULOUS VERTEBRAE - Über die Heilung tuberkulöser Wirbel - Borsay J., Póta L. and Varga L. II. Chir. Abt., Staatl. Lungenheilanst. Fodor József und Röntg. Lab., Lungenheilanst., Ungarische Staatsbahnen, Budapest - Z. ORTHOP. 1958, 90/4 (409-421) Illus. 15

Report of 152 patients with vertebral caries. There is a difference in the healing process of a tuberculous spondylitis in the lumbar spine and the dorsal spine. In the dorsal spine the intervertebral disc is usually destroyed without any ossification between the vertebral bodies. On the contrary one can find periosteal ossification around the intervertebral disc in the lumbar area of the spine. Stabilization is attained in the lumbar spine by synostosis or bridges of bone in the ventral part of the vertebral bodies. No complete synostosis of vertebral bodies in the dorsal spine or lumbar spine was observed. Excochleation of vertebral foci and abscesses is recommended, following a spondylosyndesis.

(IX, 15, 19)

bone

EXCERPTA MEDICA Sec 15 Vol 12/8 Chest Dis. Aug 59

1961. THE OPERATIVE TREATMENT OF TUBERCULOSIS OF THE Iliosacral JOINT - Die operative Behandlung der Iliosakralgelenks-Tuberkulose - Borsay J. and Molnár M. II. Chir. Abt., Staatl. Lungenheilanst. "József Fodör", Budapest - Z. ORTHOP. 1958, 90/4 (422-427) Illus. 4

Twenty-five cases with diseases of the iliosacral joint were treated operatively. Good results were obtained with operative removal of the focus and an intra-articular arthrodesis. (IX, 15, 19)

BORSAY, Janos, dr.; MOLNAR, Margit, dr.

Surgical therapy of sacroiliac caries. Tuberkulozis 12 no.11:  
242-244 N '59.

1. Az Allami Fodor Jozsef Tbc Gyogyintezet (igazgatofoorvos:  
Sebek Lorand dr.) II. Sebuzeti osztalyanak (foorvos: Borsay  
Janos dr.) kozlemenye.

(TUBERCULOSIS SPINAL surg)

BORSAY, Janos, dr.; JOOS, Marta, dr.; CSERGO, Istvan, dr.

The importance of anterolateral decompression in tuberculous spondylitis, Pott's paraplegia and tumors of the vertebrae. Tuberkulózis 15 no.1: 15-19 Ja '62.

1. Az Allami Fodor Jozsef Tbc Gyogyintezet (igazgato-foorvos: Sebok Lorand dr.) II sebeszeti osztalyanak (foorvos: Borsay Janos dr.) kozlemeny.

(TUBERCULOSIS SPINAL surg)  
(SPINE neopl)  
(PARAPLEGIA surg)



BORSAY, Janos, dr.; CSERGO, Istvan, dr.; JOOS, Marta, dr.

Transpleural and transperitoneal removal of vertebral foci.  
Tuberkulozis 16 no.9:276-278 S '63.

1. Az Allami Fodor Jozsef Tbc Gyogyintezet (igazgato-foorvos:  
Risko Tibor dr., tudomanyos igazgato: Sebok Lorand dr.) II  
Sebeszeti Osztalyanak (foorvos: Borsay Janos dr.) kozlemenye.  
(TUBERCULOSIS, SPINAL) (SURGERY, OPERATIVE)  
(BRONCHIAL FISTULA) (TUBERCULOSIS, PULMONARY)

NYUL-TOTH, Pal, dr.; RISKÓ, Tibor, dr.; BORSAY, Janos, dr.

Recent data to the origin of the narrowing of the intervertebral space. Magy. radiol. 16 no.1:33-42 F'64.

1. Allami Fodor Jozsef TBC Gyogyintezet kozlomenye, Budapest.

\*

HUNGARY

NYUL-TOTH, Pal, Dr; TOMORY, Istvan, Dr; RISKÓ, Tibor, Dr, Candidate of Medical Sciences, director; and BORSAY, Janos, Dr; State Jozsef Fodor TB Therapeutical Institute, Budapest

"May the Paravertebral Shadow Be Considered a Characteristic Feature of Inflammatory Vertebral Alterations?"

Budapest, Magyar Radiologia, Vol 18, No 3, Jun 66, pp 150-158

Abstract [authors' Russian, English and German summaries, modified]: On the basis of the examination of 1697 patients with vertebral alterations, the authors find that spindle-like dilatation of the paravertebral shadow can be observed in numerous vertebral diseases and, therefore, its presence in itself is not of pathognostic value. A similar shadow is observed in inflammatory, degenerative, traumatic; neurogenous, tumorous and tumorous-metastatic vertebral diseases. In the case of inflammatory alteration, usually a broader shadow is observed on both sides. If the alteration is limited to a single vertebra, primarily fracture or tumor should be considered. Four Soviet-bloc and 17 Western references.

1/1

- 199 -

BQRSC, Michal, inz.

Alternating-current servomechanism with variable damping.  
El tech cas 15 no.5:308-315 '64.

1. Assistant at the Chair of Automation and Control,  
Slovak Higher School of Technology, Bratislava, Vazovova  
1/b.