

LUBIKOV, G.I.; KOREYSHA, M.M.

Fossil injectible ice on the Yamal Peninsula. Izv. AN SSSR. Ser.
geog. no.5:58-65 S-0 '64. (MIRA 17:11)

1. Institut merzlotovedeniya im. V.A. Obrucheva.

DUBILEY, V.

Chronic nonspecific diseases of the lungs in children and their climatic treatment" by E.N. Tret'iakova and N.V. Kobysheva.

Pediatrics no.12:56-58 '61.

(MIRA 15:1)

(LUNGS--DISEASES) (CLIMATOLOGY, MEDICAL)

(TRET'IAKOVA, E.N.) (KOBYSHEVA, N.V.)

DO NOT WRITE IN THESE SPACES

Dissertation: "Treatment of Infectious Diseases of the Lungs by Intrathoracic Administration of Novocain and Penicillin." Cand Med Sci, Kishinev State Medical Inst, 21 Apr 54. (Sovetskaya Moldaviya, Kishinev, 10 Apr 54)

SO: SUM 243, 19 Oct 1954

DUBILEY, V.V. (Kishinev)

Changes in hollow bones in lung cancer. Klin. med. 34 no.12:77-78
D 156. (MLRA 10:2)

1. Iz fakul'tetskoy terapevticheskoy kliniki (zav. - prof. N.F.
Starostenko) Kishinevskogo meditsinskogo instituta.
(BONE DISEASES, pathol.
hollow bones, in cancer of lungs)
(LUNG NEOPLASMS, compl.
dis. of hollow bones)

DUBILBY, V.V. (Kishinev)

Treating suppurative lung diseases with intrapulmonary penicillin administration. Klin.med. 36 no.3;48-52 Mr '58. (MIRA 11:4)

1. Iz fakul'tetskoy terapevticheskoy kliniki (zav. - zaslushennyy deyatel' nauki prof. N.T.Starostenko) Kishinevskogo meditsinskogo instituta.

(LUNG DISEASES, ther.

penicillin, intrapulm. admin. in purulent dis. (Rus))

(PENICILLIN, ther. use

purulent lung dis., intrapulm. admin. (Rus))

KOLOTOVA, N.N., doktor med.nauk; DUBILEY, V.V., dotsent

Role of tuberculous intoxication in the development of anemia.
Probl. tub. 38 no.3:25-29 '60. (MIRA 14:5)

1. Iz kafedry gospital'noy terapii (zav. - doktor meditsinskikh
nauk N.N.Kolotova) Vinnitskogo meditsinskogo instituta (dir. -
dotsent S.I.Korkhov).
(TUBERCULOSIS) (ANEMIA)

DUBILEY, V.V., dotsent

Teaching in a hospital clinic. Terap.arkh. no.6:92-94 '61.
(MIRA 15:1)

1. Iz kafedry gosital'noy terapii Altayskogo gosudarstvennogo
meditsinskogo instituta.

(MEDICINE--STUDY AND TEACHING)

DUBILEY, V.V.

Prevention of recurrences of suppurative and chronic diseases of
the respiratory organs. Terap.arkh. no.8:91-96 '62.

(MIRA 15:12)

1. Iz kafedry gospiatal'noy terapii (zav. - dotsent V.V. Dubiley)
Altayskogo meditsinskogo instituta.

(RESPIRATORY ORGANS—DISEASES)

DUBILEY, V.V.; HYCHKOVA, Ye.K. (Barnaul)

Characteristics of the clinical aspects and course of
periarteritis nodosa affecting mainly the pleura and
myocardium. Klin. med. 40 no.12:117-119 D '62.

(MIRA 17:2)

1. Iz kafedry gosptal'noy terapii (zav. - dotsent V.V.
Dubiley) Altayskogo meditsinskogo inistituta (rektor -
dotsent F.M. Kolomiitsev).

DUBILEY, V.V.

Experience in treating patients with chronic inflammatory
bronchopulmonary processes in relation to the sensitivity of
the microflora to antibiotics. Antibiotiki 8 no.8:746-750
Ag '63. (MIRA 17.5)

1. Kafedra gospi'tal'noy terapii Altayskogo meditsinskogo in-
stitutu..

DUBILEY, V.V.

(Barnaul)

Experimental chronic bronchitis and pneumonia. Arch. pat. 25
no.4:50-55 '63 (MIRA 17:4)

1. Iz kliniki gospital'noy terapii (zav. - dotsent V.V.
Dubiley) i kafedry patologicheskoy anatomii (zav. - prof.
A.G. Varshavskiy) Altayskego meditsinskogo instituta (rek-
tor - dotsent F.M. Kolomiytsev).

DUBILEY V.V., kand. med. nauk; KHITRINA, G.V.

Characteristics of the clinical aspects of silicosis. Sov. med.
27 no.11:39-41 N '63 (MIRA 18:1)

1. Iz gospital'noy terapevticheskoy kliniki (zav. - dotsent
V.V. Dubiley) Altayskogo meditsinskogo instituta.

DUBILEY, V.V., dotsent

Principles of compound treatment in chronic inflammatory diseases
of the respiratory organs. Sov. med. 28 no.5:66-71 My '65. (MIRA 18:5)

1. Kafedra gosital'noy terapii (zav. - dotsent V.V.Dubiley)
Altayskogo meditsinskogo instituta, Barnaul.

DOBIL'YER, A., agronom (Azovskiy rayon, Rostovskaya oblast')

State farm agronomist. Zemledelie 27 no.5:11-13 Apr '65. (KIRA 18:6)

DUBIL'YER, A.S.

Structure of the Apsheronian stage in chernozem regions. *Biul. MOIP.*
Otd. geol. 29 no. 1: 71-74 Ja-F '54. (MLRA 7:4)
(Caspian depression--Chernozem soils) (Chernozem soils--
Caspian depression)

The... of the...
... of...
... of the...
... of the...

DUBIL'YER, A.S.

Hydrogeological conditions of Pavledar Province in connection with
the reclamation of virgin and idle lands. Biul.MOIP.Otd.geol.31
no.1:21-31 Ja-F '56. (MIRA 9:7)
(Pavledar Province--Water, Underground)

AUTHOR: Dubil'yer, A.S.

SOV/5-58-5-14/20

TITLE: On the Problem of Hydrochemical Zoning of the Upper-Permian Deposits in the South Ural Region (K voprosu o gidrokhimicheskoy zonal'nosti verkhnepermiskikh otlozheniy v yuzhnom Priural'ye)

PERIODICAL: Byulleten' Moskovskogo obshchestva ispytateley prirody, Otdel geologicheskii, 1958, Nr 5, p 155 (USSR)

ABSTRACT: The author sums up the report she read on 10 April, 1958 in the Hydrogeological Section of the Society. She describes the formation of the chemical composition of the underground waters in the region of the Southern Ural. The Upper-Permian deposits, lying on the surface and then gradually sinking below more recent layers, are intersected by numerous rivers and streams. The water seeping through various layers and mixing with the underground water of different chemical composition forms different reservoirs of mineralized waters of hydrocarbonic, sulfatic or chloride types.

Card 1/1

TETSMAN, G.N.; FEDOROVA, T.K.; DUBIL'YER, A.S.

Division of the southeastern Russian Platform into hydrogeological
regions. Trudy Lab. gidrogeol. probl. 30:69-83 '60.(MIRA 14:4)
(Russian Platform—Water, Underground)

DUBIL'YER, A.S.

Some features of the formation of underground waters of Permian
deposits in the Orenburg area of the Ural Mountain region. Trudy
Lab. gidrogeol. probl. 36:89-94 '61. (MIRA 14:11)
(Orenburg Province--Water, Underground)

DADACHA, T.P.; DUBIL'YER, A.V.

How we achieve high crops. Zemledelie 25 no.5:67-71 My '63.
(MIRA 16:7)

1. Glavnyy agronom kolkhoza imeni Krupskoy, Yegorlyksskogo proiz-
vodstvennogo upravleniya, Rostovskoy oblasti (for Dadacha).
(Field crops)

BELINSKAYA, A.V.; BOGUSLAVSKAYA, S.A.; DUBIN, A.S.; PRUSSAK, O.V.;
STARTSEV, V.I.; DAVIDOVICH, Ya.I., doktor jurid.nauk, red.;
KHRUSHALEV, B.F., red.; SHILOV, L.A., red.; VODOLAGINA, S.D.,
tekh.n.red.

[Socialist competition in Leningrad enterprises during the
years of the first five-year plan, 1928-1932] Sotsialisticheskoe
sorevnovanie na predpriyatiyakh Leningrada v gody pervoi piati-
letki, 1928-1932 gg.; sbornik dokumentov i materialov. Pod red.
IA.I.Davidovicha. Leningrad, Izd-vo Lening.univ., 1961. 343 p.
(MIRA 14:4)

1. Leningrad. Gosudarstvennyy arkhiv Oktyabr'skoy revolyutsii i
sotsialisticheskogo stroitel'stva.
(Leningrad--Socialist competition)

AMOSOV, N.N.; DUBIN, A.S.; ZUBKOV, V.A.; STARTSEV, V.I.; TOKAREV,
Yu.S.; SHKARATAN, O.I.; KURTYNIN, M.S., red.; ZHEREBKINA,
D.I., red.; LEVONEVSKAYA, L.G., tekhn. red.

[A generation of shock workers; a collection of documents
and materials on socialist competition in Leningrad
industrial plants in 1928-1961] Pokoleniia udarnikov;
sbornik dokumentov i materialov o sotsialisticheskoy sorev-
novanii na predpriatiakh Leningrada v 1928-1961 gg. Le-
ningrad, Leninfizdat, 1963. 454 p. (MIRA 16:9)

1. Leningrad. (P'ovince) Gosudarstvennyy arkhiv Oktyabr'skoy
revolyutsii i sotsialisticheskogo stroitel'stva.
(Leningrad--Socialist competiton)

2010, N.

2011, N.

Control over the expenditure of wage funds. Ser. i kred. 19
no. 2:67-69 F '61. (I.L. 14:1)

1. Nachal'nik proizvodstvenno-ekspluatatsionogo otdela
Voronezhskoy kontery Gosbanka.
(Banks and banking) (Wages)

Dubin, N.P.

123 - 1 - 75

AUTHOR: Dubin, N.P.

TITLE: About Flocculi (Ghost lines) in Rails Rolled from Blooms of Cold Thrust (O flokenakh v rel'sakh, prokatannykh iz blyumov kholodnogo vsada).

PERIODICAL: Svoystva i term.obrabotka transp. metalla. Sbornik, Knar'kov, Metallurgizdat, 1955, 58-67. (USSR).

ABSTRACT: The experiments carried out for the justification of weldability of flocculi in rails rolled out of blooms with the flocculi are described. It has been found that in rolling rails the flocculi are welded and mechanical properties of the rail steel are fully satisfactory. B.O.L.

Ref.Zh., Mashinostroyeniye, Nr.1, 1957, Item 75.

Card 1/2

123 - 1 - 75

ASSOCIATION:

PRESENTED BY:

SUBMITTED:

AVAILABLE:

Card 2/2

ACCESSION NR: AR4020769

S/0044/64/000/001/B124/B125

SOURCE: RZh. Matematika, Abs. 1B567

AUTHOR: Dubin, V. F.; Mazharov, L. F.

TITLE: A simulation of solving algebraic equations of the type $\sum_{i=1}^n \frac{a_i}{b_i + x} = 0.$

CITED SOURCE: Uch. zap. un-t, vy*p. 16, 1962, 166-171

TOPIC TAGS: algebraic equation solution electric scheme, magneto electronic duplifier current summation

TRANSLATION: The authors present an electric scheme for solving the equation indicated in the title. With this, the summation of the currents in the circuits is carried out by a magneto-electronic amplifier which permits one almost completely to include the influence of the summator on the redistribution of the currents and voltages in the individual circuits and to increase

Card 1/2

ACCESSION NR: AR4020769

the accuracy of the attained results. It is noted that the maximal relative error of the measurements does not exceed 0.5% when devices of accuracy. 2 are used.

DATE ACQ: 03Mar64

SUB CODE: MM

ENCL: 00

Card 2/2

DUBIN, V.F.; SHAULOV, Zh.I.; KHADZHIYEV, S.N.

Possibility of investigating the kinetics of the congealing
of lubricants by the ultrasonic method. Khim. i tekhn. topl
i masel 9 no.8:58-60 Ag '64. (MIRA 17:10)

1. Groznenskiy ordena Trudovogo Krasnogo Znameni neftyanoy
institut.

DUBIN, Ya.I.

Automatic telephone substation with crossbar switches. Vest. svyazi
17 no.7:7-8 J1 '57. (MLRA 10:8)

1. Stantsionnyy inzhener Moskovskoy avtomaticheskoy telefonnoy
stantsii. (Telephone, Automatic)

MARKHININ, Ye.K.; TOKAREV, P.I.; PUGACH, V.B.; DUBIK, Yu.M.

Eruption of the Bezymyanny Volcano in the spring of 1961.
Biol. Vulk. sta. no.34:12-35 '63. (MIRA 16:10)

DUBIN, Zinoviy Yudelevich; SHUTOV, A.F., red.; KHIVRICH, Ye.D., red. izd-va;
~~LOBANKOVA, R.Ye., tekhn. red.~~

[Manual of turpentine and rosin production] Posobie po smolo-
skipidarnomu proizvodstvu. Moskva, Goslesbumizdat, 1961. 61 p.
(MIRA 14:7)

(Turpentine industry)

DUBINA, B.V., inzh.

Roadside planting in Moldavia. Avt.dor. 26 no.9:10-11 S '63.
(MIRA 16:10)

MEDVEDEV, I. A.; KOBILEAKOV, I. I. [Kobylyakov, I. I.]; TAREIKO, N. A.
[Tareyko, N. A.]; DUBINA, I. G. [Dubina, Yu. G.]

Technoeconomic indicators of the performance of Martin furnaces by
utilizing various intensifiers of smelting process. Analele
metalurgie 15 no.4:180-188 Q-D '61.

(Smelting) (Open-hearth process)

VOBLIY, K.[Voblyi, K.], red.; GUSLISTIY, K.[Huslysty, K.], red.;
DUBINA, K.[Dubyna, K.], red.

[Kiev; articles and information]Kyiv; statti-dovidky. Kyiv,
Ukrains'ke vyd-vo polit. lit-ry, 1948. 140 p. (MIRA 16:1)
(Kiev—Guidebooks)

~~DUBINA, L.~~

The contact ratio of gearing teeth.

p. 1 (Jemna Mechanika a Optika. Vol. 2, no. 1, Feb. 1957. Praha, Czechoslovakia)

Monthly Index of East European Accessions (EEAI) LC. Vol. 7, no. 2,
February 1958

DUBINA, L.

The meshing of a pair of evolents. (Conclusion) p. 38.

(Jemna Mechanika A, Optika. Vol. 2, no. 2, Apr. 1957. Praha, Czechoslovakia)

SO: Monthly List of East European Accessions (EEAL) LC, Vol. 6, no. 10, October 1957. Uncl.

Dubina, L.

Contact rate of teeth in a gearshift.

P. 105 (Jemna Mechanika a Optike. Vol. 2, no. 4, Aug. 1957, Praha, Czechoslovakia)

Monthly Index of East European Accessions (EEAI) LC. Vol. 7, no. 2,
February 1958

DUBINA, L.

"Involute function inv \underline{d} ." P. 156

JEMNA MECHANIKA A OPTIKA. (Ministerstvo presne ho strojirenstvi a
Ustav pro vyzkum optiky a jemne mechaniky). Praha, Czechoslovakia,
Vol. 4 No. 5, May 1959.

Monthly list of East European Accessions (EEAI), LC, Vol. 8, No. 8,
August, 1959.
Uncla.

S/137/63/000/002/013/034
A006/A101

AUTHORS: Okonishnikov, A. M., Tsyb, P. P., Ponomarev, V. D., Dubina, L. A.

TITLE: Investigating the process of thallium cementation on zinc dust from sulfate solutions

PERIODICAL: Referativnyy zhurnal, Metallurgiya, no. 2, 1963, 30, abstract 20165 ("Sb. tr. Vses. n.-i. gornometallurg. in-t tsvetn. met.", 1962, no. 7, 163 - 171)

TEXT: The authors investigated the effect of the following factors upon the rate and degree of Tl precipitation during its cementation with Zn-dust: consumption of Zn-dust, its coarseness, intensity of mixing, temperature and acidity of the solution. Optimum conditions of Tl precipitation are established: acidity of the solution within pH 3 - 4; or alkalinity within pH 12 - 13; temperature about 60°C; duration 60 minutes at intensive stirring. At a 12 mg/l concentration of Tl in the solution the dust consumption exceeds that of thallium by a factor of 500; and at 100 mg/l and more by a factor of 100. The expediency is shown of turning the sponge for cementation one or two times, since

Card 1/2

Investigating the process of...

S/137/63/000/002/013/034
A006/A101

the sponge is then enriched by a factor of 2 - 3 and the precipitation degree decreases only to 75%.

G. Svodtseva

[Abstracter's note: Complete translation]

Card 2/2

DUBINA, M.

Why the amusement taxation plan is not carried out? Fin. SSSR 37 no.10:
77-78 0 '63. (MIRA 17:2)

1. Nachal'nik otдела gosudarstvennykh dokhodov Dnepropetrovskogo gorodskogo finansovogo otдела.

DUBINA, N.I.

Methods of calculating pneumatic transportation systems.
Stek. 1 ker. 21 no.7:16-21 J1 '64. (MIRA 17:10)

1. Glavnyy konstruktor stekol'nogo zavoda "Proletariy."

DUBINA, M. I.

✓ 4330. PREHEATING OF AIR SUPPLIED TO GAS PRODUCERS. ✓ Dubina, M.I.
(Staklo Keram. [Glass & Ceramics, Moscow], July 1953, vol. 10, 9). To
produce mixed gas, a mixture of steam and air is supplied to the producer,
steam being introduced into the air pipe in the producer. Partial
condensation of the steam can be avoided by the use of either preheated air
or superheated steam, the former being more suitable. The rest of the
paper gives formulae for calculating: (1) amount of steam condensed,
(2) the air temperature necessary to prevent condensation, and (3) the
necessary temperature of superheated steam. B. Ceram. S.A.

DUBINA, N. I.

Heating air in generators. Tr. from the Russian, p. 41, SKLAR A KERAMIK
(Ministerstvo lehkeho prumyslu) Praha, Vol. 4, No. 2, Feb. 1954

SOURCE: East European Accessions List (EEAL) Library of Congress,
Vol. 4, No. 12, December 1956

DUBINA, H. I.

Some problems of glass manufacture technology. Stek.l ker. 14
no.6:6-8 Je '57. (MIRA 10:7)
(Glass manufacture--Equipment and supplies)

AUTHOR: Dubina, N. I. 307/72-58-8-6/17

TITLE: Methods of the Perfection and Automation of Fuel Gasification Processes and the Melting of Glass (puti sovershenstvovaniya i avtomatizatsii protsessov gazifikatsii topliva i varki stekla)

PERIODICAL: Steklo i keramika, 1958, Nr 8, pp. 19-22 (USSR)

ABSTRACT: The solution of these problems requires a detailed analysis of the technology on the basis of most modern research. The heating of ash furnaces by means of unpurified generator gas leads to difficulties which are connected with its changing heating power. As a rule saturated steam is used for forming a steam-air mixture. Gas of high quality can be obtained only when an exactly determined amount of steam is introduced additionally into the generator. By the formation of the mixture of cold air and saturated steam part of the steam condenses; this means an excess of water and makes a regulation impossible. This disadvantage can only be overcome by using overheated steam and preheated air; this makes necessary a transformation of the boiler installations which

Card 1/3

SOV/72-58-8-6/17

Methods of the Perfection and Automation of Fuel Gasification Processes
and the Melting of Glass

everywhere at the glass factories operate with saturated steam. The automatic regulation of the tank furnace temperature depends on the conditions of the torch formation and the combustion of the fuel. The author is of opinion that the demand for a regenerating atmosphere within the range of the first burner is superfluous as this is done by the charge composition. The cross sectional area of the gas channels must secure a certain velocity of the gas flow into the combustion chamber of the furnace. When the furnace load is changed (e.g. by breaking off the glass band) it is useful to reduce the melting temperature; this was also found by A. G. Perov (Ref 1) in his papers. The change of the cooling temperature proves a disturbance in the regime of the furnace in some section or other, which must be found and removed, and which should not only be fought by other methods of different kind. The automatic control of the temperature of the cooling part of the furnace is difficult to arrange at present, and is not useful either. Conclusions: 1) The automation of the regulation should be preceded by a careful investigation of the technological process as well as

Card 2/3

SOV/72-58-8-6/17
Methods of the Detection and Regulation of Fuel Gasification Processes
and the Melting of Glass

of the regular object. 2) An automatic control of the formation of a steam-air mixture as well as a maintenance of a stable generator gas composition can be worked out only in the case of the use of overheated steam and pre-heated air. 3) For the automatic control of the furnace temperature the gas must be burned with an excess of air. There are 2 references, 1 of which is Soviet.

1. Glass--Melting
2. Gases--Combustion
3. Steam--Applications
4. Furnaces--Performance
5. Fuels--Control systems

Sheet 3/3

DUBINA, P.P., inzh.

Portable vacuum-pump station for degasification before mining.
Trudy VNIOMSHSa no.15:276-285 '64.

(MIRA 18:2)

ACC NR: AT6036190 SOURCE CODE: UR/3116/66/277/000/0128/0131

AUTHOR: Dubina, R. B.; Nikolayev, Yu. V.

ORG: none

TITLE: Decoding oceanographic information with a computer

SOURCE: Leningrad. Arkticheskiy i antarkticheskiy nauchno-issledovatel'skiy institut. Trudy, v. 277, 1966. Chislennyye metody issledovaniya gidrometeorologicheskikh usloviy v Arktike s ispol'zovaniyem elektronnykh tsifrovyykh vychislitel'nykh mashin (Numerical methods of studying hydrometeorological conditions in the Arctic with the use of electronic digital computers), 128-131

TOPIC TAGS: *INFORMATION PROCESSING, COMPUTER,*
computer application, computer program, oceanography /
Ural 2 computer

ABSTRACT: The article discusses some of the problems encountered in evaluating incoming messages containing oceanographic information. The results of an analysis of 50 messages received at the Arctic and Antarctic Scientific-Research Institute from research ships are given. The analysis yielded the following breakdown for errors in the messages: 75% due to distortion of information; 33% due to omission of information; and 41% due to inclusion of extraneous information. Brief

Card 1/2

ACC NR: AT6036190

mention is made of the KN-01 meteorological code. The KG-54 code used by research ships is described in greater detail. Algorithms are presented which make it possible to determine whether an incoming message group has been repeated or omitted, to recognize extraneous information (with a probability factor of 0.79), and to find errors in oceanographic information. A block diagram of an oceanographic program consisting of 13 steps is given in the article. Tests of the program with a Ural-2 computer demonstrated its efficiency in respect to time and the amount of manual labor required, and it was shown that the information decoding algorithm could be successfully used to process 80% of all incoming oceanographic messages. Orig. art. has: 1 figure and 1 table.

[WN01]
[LB]

SUB CODE: 08, 09/ SUBM DATE: none

Card 2/2

DUBINA, R.B.; NIKOLAYEV, Yu.V.

Automatic input and processing of oceanographic information
on the "Ural-2" electronic digital computer. Trudy Inst.
okean. 75:69-72 '64.

(MIRA 17:11)

DUBINA, T.L.

Nickel content and carbon anhydrase activity in the blood of
nursery and preschool children. Dokl. AN BSSR 5 no.3:130-132 Mr '61.
(MIRA 14:3)

1. Sektor gerontologii AN BSSR. Predstavleno akademikom AN BSSR
V.A. Leonovym.

(NICKEL IN THE BODY)
(CARBONIC ANHYDRASE)

DUBINA, T. L.

Use of dithizone in determining small amounts of zinc in
biological materials. Dokl. AN BSSR 7 no.2:131-134 F '63.
(MIRA 16:7)

1. Sektor gerontologii AN BSSR. Predstavleno akademikom
AN BSSR V.A. Leonovym.
(Dithizone) (Zinc in the body)

DUBINA, T.L.

Age variations in the zinc content of the human blood.

Vestsi AN BSSR. Ser. bial. nav. no.1:87-91 '64.

(MIRA 17:6)

DUBINA, T.L.

Changes in the zinc content of the blood of rats based on their age. Dokl. AN BSSR 8 no.8:541-542 Ag '64.

(MIRA 17:11)

1. Sektor gerontologii AN BSSR. Predstavleno akademikom AN BSSR V.A. Leonovym.

DUBINA, T.L.

Zinc in the blood of children and youths with different degrees of physical development. Dokl. AN BSSR 8 no.9:604-606 S '64.

(MIRA 17:12)

1. Sektor gerontologii AN Belorusskoy SSR.

DUBINA, T.L.

Zinc content in the blood and sexual maturity. Vestsi AN BSSR
Ser. biial. nav. no.3:138-139 '64 (MIRA 18:1)

L 3948-66 EWT(d)/EWT(m)/EWA(d)/EWP(v)/EWP(t)/EWP(k)/EWP(h)/EWP(z)/EWP(b)/EWP(l)/
ACCESSION NR: EWA(c) IJP(c) MJW/JD/HW AP5023348

UR/0304/65/000/005/0075/0077
621.97

AUTHORS: Zhivov, L. I. (Candidate of technical sciences); Dubina, V. I. (Engineer)

TITLE: Reverse extrusion of large aluminum parts on crankshaft presses

SOURCE: Mashinostroyeniye, no. 5, 1965, 75-77

TOPIC TAGS: extrusion, aluminum, extrusion press/ DS 800-1250 press, A00 aluminum, AO aluminum, Al aluminum, 45 steel, U7A steel, U8A steel, Kh12M steel

ABSTRACT: The process of reverse extrusion of 85-mm diameter x 215-mm high x 0.5^{+0.5}-mm thick aluminum cups has been developed at the Zaporozhskiy mashinostroitel'nyy institut (Zaporozhye Machinery Construction Institute). The critical conditions were found to be the alignment and parallel location of the upper 1 and lower 11 plates (see Fig. 1 on the Enclosure) and their parallel displacement. The stamp has four guiding posts 7 and bushings 3 attached to the upper plate. The upper and lower plates are made of 70-mm thick normalized steel 45 slabs, and the die and plunger are mounted on them against hardened steel inserts 2 (steel U7A) and 10 (steel U8A). The die and plunger are made of Kh12M steel (HRC 56-58 and 60-62 respectively), polished to a 10-11 class finish and chrome plated Card 1/3

L 3948-66
ACCESSION NR: AP5023348

(1-3 micron). The aluminum blanks (A00, A0, A1) were heated to 390-400C in 10-15 minutes, held at that temperature for 50-60 minutes, and air cooled (HB 15-22). Animal fats and mixtures of cylinder oil with beeswax were used as lubricants. It was found that the deformation stress varied between 38-56 kg/mm², the maximum temperature rise was 150-160C, and that spherical cup bottoms required 10-15% lower plunger forces than flat-bottomed cups. Experiments were performed on model DS 800/1250 press as well as on 630- and 500-ton presses. Orig. art. has: 1 figure.

ASSOCIATION: none

SUBMITTED: 00

ENCL: 01

SUB CODE: IE, MM

NO REF SOV: 000

OTHER: 000

Card 2/3

L 3948-66
ACCESSION NR: AP5023348

ENCLOSURE: 01

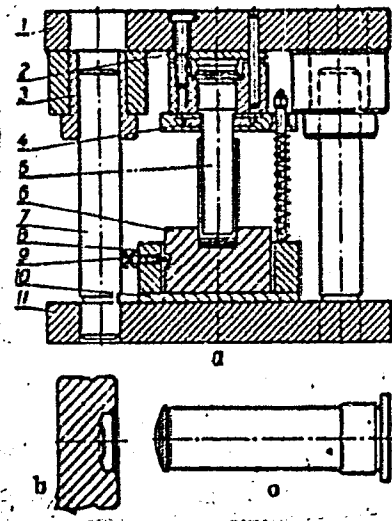


Fig. 1. Press geometry: a - general view; b - die; c - plunger

Card 3/3 *DP*

KRETOV, A.Ye.; LITVINOV, V.V.; DUBINA, V.L.

Chemistry of fluorene. Part 3: Acylation of 2,7-dichlorofluorene
with maleic anhydride. Zhur.ob.khim. 32 no.5:1564-1567 My '62.
(MIRA 15:5)

1. Dnepropetrovskiy khimiko-tekhnologicheskoy institut imeni
F.E.Dzerzhinskogo.

(Fluorene)

(Maleic anhydride)

BURMISTROV, S.I.; DUBINA, V.L.

Rearrangement of aryl esters of arene sulfonylcarbamic acids.
Zhur.ob.khim. 33 no.7:2376-2380 J1 '63. (MIRA 16:8)

1. Dnepropetrovskiy khimiko-tehnologicheskii institut.
(Carbamic acid) (Esters) (Rearrangements (Chemistry))

BURMISTROV, S. I.; DUBINA, V. L.

Arenesulfonyl-N-(benzoylformyl)amides. Zhur. ob. Khim. 34 no.6:
1976-1979 Je '64. (MIRA 17:7)

1. Dnepropetrovskiy khimiko-tekhnologicheskii institut.

BURMISTROV, S.I.; DUBINA, V.L.

Arenesulfonyl-N-laotylamides. Ukr. khim. zhur. 30 no.7:742-744
'64 (MIRA 18:1)

1. Dnepropetrovskiy khimiko-tehnologicheskii institut.

BURMISTROV, S.I.; DUBINA, V.L.

Arenesulfonyl-N-dichloroacetylammides. Ukr. khim. zhur. 31
nc.10:1087-1088 '65. (MIRA 19:1)

1. Dnepropetrovskiy khimiko-tekhnologicheskii institut. Submitted
June 2, 1964.

MALAKHOV, R.A.; DUBINA, V.P.; CHUY GO-LYAN [Chui Kuo-liang]

Absorption capacity of cellulose nitrates as dependent on the conditions of their preparation. Vysokom. soed. 6 no.6 :1072-1077 Je '64 (MIRA 18:2)

1. Moskovskiy khimiko-tekhnologicheskij institut imeni Mendeleeva.

SAKHIN, S. I., kand.tekhn.nauk; SHECHEGOLIVA, A. M., inzh.; GUSAROV, A. D.;
DUBINA, Ye. M.

Separate and simultaneous effect of molybdenum and tungsten on
the temper brittleness and hardenability of steel. Metallovedenie
2:104-122 '58. (MIRA 13:9)
(Steel alloys--Heat treatment) (Molybdenum) (Tungsten)

AUTHORS: Derfel', A.G., Dubina, Yu.G., Kotin, A.G., Myshonkov, N.I.,
Sologub, S.L., Tret'yakov, Ye.V., Khmirov, V.I.,
Chernenko, F.A. and Shneyerov, Ya.A. SOV/133-59-5-6/31

TITLE: Efficiency of the Use of Sinter and Briquettes Instead of
Ore and Limestone in Open-hearth Furnaces (Effektivnost'
primeneniya v martenovskikh pechakh aglomerata i briketov
vzamen rudy i izvestnyaka)

PERIODICAL: Stal', 1959, Nr 5, pp 400 - 407 (USSR)

ABSTRACT: In order to compare the efficiency of using fluxed sinter
and ore-lime briquettes instead of ore and limestone in
open-hearth furnaces as well as to determine the optimum
composition of the above agglomerated materials, experi-
mental heats were carried out in 570-ton open-hearth
furnaces at the imeni Dzerzhinskiy Works during 1957-1958 .
Altogether 63 heats with briquettes, 76 with sinters of
various compositions and 90 comparative heats using ore
and limestone were made. All heats were made in the
same furnaces and during the same periods. The composition
of briquettes and sinters tested is given in Table 1
(basicity of briquettes varied from 0 - 5.4 and of

Card1/4

SOV/133-59-5-6/31

Efficiency of the Use of Sinter and Briquettes Instead of Ore and Limestone in Open-hearth Furnaces

sinters from 0.4 to 2.2). Changes in the basicity and FeO content in slag in the course of smelting are shown in Figures 1 and 2, respectively, the main indices of the experimental and comparative heats in Table 2, the comparison of the amounts of CaO, SiO₂ and Σ FeO transferred to slag from various granular materials - Table 3, changes in the SiO₂ content of slag in the course of smelting for various heats - Figures 3 and 8, the same changes in slag basicity - Figure 4, the same changes in the P₂O₅ content - Figures 5 and 9, the same changes in the CaO content - Figure 6, the same changes in the Σ FeO and CaO and Σ FeO contents - Figures 7 and 11, the same changes in the content of sulphur - Figure 10. It was found that the use of fluxed briquettes or sinters instead of ore and limestone leads to a considerably faster formation of slag during the melting down period, to an earlier slag removal and to a corresponding decrease in the melting

Card2/4

Efficiency of the Use of Sinter and Briquettes Instead of Ore and Limestone in Open-hearth Furnaces ^{SOV/133-59-5-6/31}

period. The use of fluxed briquettes or sinter of a basicity 2.0 - 2.5 without additions or with minimal additions of ore and limestone made it possible:

- 1) to decrease the melting period in 370-ton furnaces by 40-45 min with an increase in the furnace productivity of 6-7%;
- 2) to decrease the duration of heating up successive layers of granular materials during the charging period as well as their heating after the charging is completed (which permitted a further decrease of 10-15 min in the duration of heats);
- 3) to increase slag basicity in the course of smelting and to decrease the FeO content of slag at the beginning of the melting period and to increase its FeO content at the end of this period;
- 4) to increase the dephosphorising and desulphurising ability of slag due to its earlier formation and higher basicity throughout the whole course of smelting and
- 5) to exclude blow-outs from the furnace during melting.

The briquettes and sinters can also be used with success during refining. The organisation of a large-scale

Card 3/4

SOV/133-59-5-6/31

Efficiency of the Use of Sinter and Briquettes Instead of Ore and Limestone in Open-hearth Furnaces

production of fluxed briquettes and sinters for the open-hearth furnaces and their wide application in steel-making practice is recommended. There are 11 figures, 3 tables and 6 Soviet references.

ASSOCIATIONS: Ukrainskiy institut metallov (Ukrainian Institute of Metals) and Zavod imeni Dzerzhinskogo (imeni Dzerzhinskiy Works)

Card 4/4

MEDVEDEV, ~~S.A.~~; KOBYLYAKOV, I.I.; TAREYKO, N.A.; DUBINA, Yu.G.

Technical and economic indices of open-hearth furnace performance
using various accelerators of the melting process. Izv.vys.ucheb.
zav.; Chern.met. no.4:192-198 '61. (MIRA 14:4)

1. Dnepropetrovskiy metallurgicheskiy institut i Zavod imeni
Dzerzhinskogo.
(Open-hearth furnaces—Equipment and supplies)

ZORIN, O.D.; CHEVELA, L.A.; DUBINA, Yu.G.

Iron ore consumption in the finishing period and the efficiency
of its use. Izv. vys. ucheb. zav.; Chern. met. 7 no.11:53-
58 '64. (MIRA 17:12)

1. Institut avtomatiki Gosplana UkrSSR.

MEDVEDEV, I.A.; CHERNUKH, A.P.; DUBINA, Yu.C.

Applying methods of mathematical statistics to operational control of open hearth production. Izv. vys. ucheb. zav.; chem. met. 7 no.12:173-177 '64 (MIRA 18:1)

1. Dnepropetrovskiy metallurgicheskiy institut.

DUBINA, Yu.; MEDVEDEV, I.; TARBYKO, N.

New accounting and wage system for smelters. Biul.nauch.
inform: trud i zar.plata 3 no.2:31-33 '60.
(MIRA 13:6)

(Dnepropetrovsk—Smelting) (Wages)

LEVIN, S.L.; YANKELEVICH, Ya.P.; SOLOGUB, S.L.; DUBINA, Yu.G.

Preparation of chemically capped steel. Izv. vys. ucheb. zav.;
chern. met. 7 no.8:44-49 '64. (MIRA 17:9)

1. Dnepropetrovskiy metallurgicheskiy institut.

KOSENKO, P.Ye.; DUBINA, Yu.G.

Testing protective coatings on crown refractories. Ogneupory
30 no.6:24-26 '65. (MIRA 19:1)

1. Dnepropetrovskiy metallurgicheskiy zavod-vtuz imeni Arsenicheva
(for Kosenko). Metallurgicheskiy zavod imeni Dzerzhinskogo (for
Dubina).

18056

DUBINCHIK, A. D.

USSR/Elec Power Plant 4501.0500

Nov 1947

"Shaturskiy GRES on the Thirtieth Anniversary of the Great October Socialist Revolution," A. D. Dubinchik, Engr, 1 p

"Elek Stantsii" Vol XVIII, No 11

Traces growth of plant and successive increases in plant capacity. Indicates importance of plant as training ground for technicians by showing where some of its former employees now hold important posts. Improvement in fuel consumption per unit of electricity produced indicated by reduction of 20.9% in proportional fuel consumption.

LC

18056

DUBLAGIN, A. D.

A. I. Gushchin, A. D. Dublagin, V. M. Popov, and A. M. Shabarov, Opit szhiganiya
puzernogo torfa na elektrostantsii (Experience in Burning Shredded Peat in Thermoelectric
Power Plants), Gosenergoizdat.

The brochure explains advanced experience in effectively burning shredded peat in the
Shatursk electric power plant imeni Lenin.

The brochure is intended for the operating personnel of electric power plants using
peat as fuel.

SO: Sovetskaya knigi (Soviet Books, No. 163, 1953, Moscow, 1953, Moscow, (U-5472)

Dubinchik, A.D.

AID P - 4054

Subject : USSR/Power
Card 1/1 Pub. 26 - 12/33
Author : Dubinchik, A. D., Eng.
Title : 30 years of the Shatura State Regional Power Plant
in Lenin.
Periodical : Elek. sta., 12, 41, 1955
Abstract : The operation of this plant during the 30 years of its
existence is described.
Institution : None
Submitted : No date

L 1985-66 EWT(1)/EWA(h) GW

AM5015051

BOOK EXPLOITATION

UR/

106
58
24

Dortman, Nina Borisovna; Vasil'yeva, Valentina Ivanovna; Veynberg, A. E.; Dubin-
chik, E. Ya.; Zhdanov, V. V.; Zlotova, L. F.; Il'yev, M. G.; Trunina, V. Ya.;
Khoreva, B. Ya.; Sholpo, L. Ye.

Physical properties of rocks and mineral resources of the USSR (Fizicheskiye svoystva gornykh porod i poleznykh iskopayemykh SSSR) Moscow, Izd-vo "Nedra", 1964. 325 p. illus., biblic. (At head of title: Gosudarstvennyy geologicheskiy komitet SSSR. Vsesoyuznyy nauchno-issledovatel'skiy geologicheskiy institut). 3000 copies printed. Under the editorship of G. M. Sapozhova and N. B. Dortman; Principal editor: I. A. Kalmykova; Technical editor: A. S. Polosina; Proofreaders: K. S. Toroptseva

TCP II TAGS: magmatic rock, metamorphic rock, mineralogy, petrology, seismology

PURPOSE AND COVERAGE: This book is the result of the generalization of materials collected primarily by geophysical trusts and geologic agencies, as well as by the institutes named (VSEGEI). Principal attention is paid to the basic laws governing variations in the physical properties of rocks, various petrographic groups, and useful minerals of diverse mineralogic composition. The physical parameters te

Card 1/3

L 1585-66
AM5015051

48

which special attention is given include the density, the magnetic susceptibility, the specific electrical resistance, and the rate of propagation of longitudinal and transverse waves. The compilers of the book are colleagues of the Laboratoriya fizicheskikh svoystv gornykh porod and the Otdel petrografii of VSEGEI. They express their gratitude to B. A. Andreyev, A. A. Logachev, G. I. Martynova, S. V. Moskvaleva, A. S. Semenov, T. N. Simonenko, K. G. Bogdanova, Ye. A. Butakova, V. P. Dybkev, B. K. L'vov, V. I. Moskvaleva, I. A. Petrova, Yu. Ye. Rytak, Ye. K. Stankevich, A. T. Solov'yev, and A. D. Shcheglov.

TABLE OF CONTENTS:

- Introduction - - 3
 Part I. Physical properties of magmatic and metamorphic rocks
 Ch. I. Physical properties of rock-forming minerals - - 9
 Ch. II. Density of rocks - - 33
 Ch. III. Magnetic properties of rocks - - 93
 Ch. IV. Specific electrical resistance of rocks - - 172
 Ch. V. Rate of propagation of longitudinal elastic waves in rocks - - 193
 Ch. VI. Change in physical properties of rocks, depending on manifold pressure

Card 2/3

L 1585-66

AM5015051

and temperature - - 204

Part II. Physical properties of metallic and nonmetallic mineral resources

Ch. VII. Physical properties of ores - - 248

Ch. VIII. Physical properties of nonmetallic mineral resources - - 299

Literature - - 313

Appendix - - 320

SUB CODE: ES

SUBMITTED: 22Sep64

NR REF SOV: 180

OTHER: 044

Card ^{dy} 3/3

DUBINCHIK, E.Ya.; MAGID, M.Sh.

Physical properties of rocks of the crystalline basement of
Leningrad Province and regular features of the changes observed
in connection with weathering and granitization. Trudy VSEGEI
104:141-151 '64. (MIRA 18:1)

DUBINCHIK, Ye.A., inzh.; LESHCHINSKAYA, M.A., inzh.

A new network for winding concrete reactors. Vest. elektroprom.
33 no.7:72 J1 '62. (MIRA 15:11)

(Electric reactors)

(Electric power distribution--Equipment and supplies)

LAPSHENKOV, V.S.; DUBINCHIK, Ye. I.

Experiment in modeling channel deformations of the Syr Darya
at the Chardara hydraulic structural complex. Vop. gidr.
no.13:123-128 '63 (MIRA 17:8)

FERROMSKIY, V. I.; ZAVEL'SKIY, F. S.; SELIVANOV, L. V.; POLYAKOV, V. A.;
DUBINCHUK, V. I.; PANTELEYEV, A. I.

Using methods of nuclear physics for solving problems of
engineering geology and hydrogeology. Vop. gidrogeol. i inzh.
geol. no.20:3-17 '62. (MIRA 16:4)

(Nuclear physics)
(Engineering geology)
(Water, Underground)

BEKAREVICH, A.N. (Gomel'); BERESLAVSKIY, M.D. (Uzhgorod); GROMOV, A.P. (Melekes);
DUBINCHUK, Ye.S.; TESLENKO, I.F. (Kiyev); ZOLOTOVITSKIY, Ye.M. (Reutovo);
KAZHDAN, B.I. (Leningrad); KLIMENCHENKO, D.V. (Berdiansk); MEL'NIKOV,
K.S. (Sterlitamak); MIKHAYLOV, K.F. (Magnitogorsk); MASYROV, A.Z. (Sterl-
itamak); NEFEDOV, D.I. (Moskva); NOVOSELOV, S.I. (Moskva); PRAVILOV, B.R.
(s. Kanino Ryazanskoy obl.); PRINTSEV, N.A. (Kursk); SEMENOVICH, A.F.
(Sverdlovsk)

Discussion of the plans for the programs. Mat. v shkole no.6:5-28
MID '59. (MIRA 13:3)

(Mathematics--Study and teaching)

DUBINDKIY, M.G. (Moskva)

Effect of the gas constant of operating heat on the characteristics
of the cycles of heating and cooling machines. Izv. AN SSSR Energ.
i transp. 6:756-761 N-D '64.

(MIRA 18:3)

AUTHOR: Dubinenko, A. F.; Nadel', M. S.; Tenin, I. A. 21
OB

ORG: none

TITLE: A device for auxiliary fastening of flexible components. Class 49, No. 174503 [announced by the "SKBARS" Special Design Office at the Radial Drilling Machine Plant (Spetsial'noye konstruktorskoye byuro "SKBARS" pri Zavode radial-no-sverlil'nykh stankov)]

SOURCE: Byulleten' izobreteniy i tovarnykh znakov, no. 17, 1965, 112

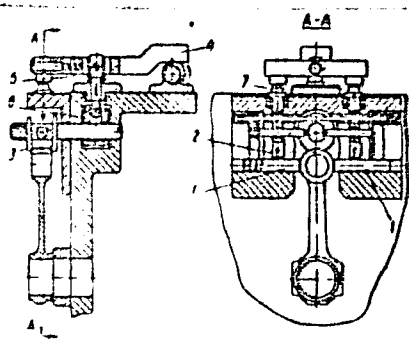
TOPIC TAGS: machine tool industry, mechanical fastener, machine jig ₁₄

ABSTRACT: This Author's Certificate introduces: 1. A device for auxiliary fastening of flexible components without transmitting the forces from the fastener to the article at points subject to deformation. The device contains movable face brackets which hold the component stationary, and means for securing the brackets. The unit is designed for immobilizing the component to be machined in two mutually perpendicular planes. The brackets for immobilizing the component in one plane are made in the form of coaxial rods which are moved in opposing directions by spring-return posts. A cam mounted in the housing is used for simultaneously immobilizing the component in the other plane. This device is made in the form of a cylindrical rod which can be rotated and moved along its axis. These cams have two wipers with con-

Card 1/2

UDC: 621.229.382

2



vergent bearing surfaces. 2 A modification of this device in which the unit for fastening the brackets and cam is made in the form of a two-armed lever. The mid support point of the lever is mounted on a base which interacts with a movable spring-supported sleeve surrounding the cam rod. One end of the lever is a driver, and the other moves the spring-return rods which immobilize the brackets.

Fig. 1. 1--brackets; 2--spring-return posts; 3--cam; 4--two-armed lever; 5--base (rod); 6--movable sleeve; 7--spring-return rods

SUB CODE: IE/

SUBM DATE: 06Dec63/

ORIG REF: 000/

OTH REF: 000

OC
Card 2/2

ACCESSION NR: AP5024384

UR/0286/65/000/015/0079/0079
678.058:678.028

AUTHOR: Mats, G. S.; ⁴⁴Dubiner, M. I.; ⁴⁴Martynov, S. V.

TITLE: A device for continuous vulcanization¹⁵ of rolled products. Class 39,
No. 173399 ✓

25
23
B.

SOURCE: Byulleten' izobreteniy i tovarnykh znakov, no. 15, 1965, 79

TOPIC TAGS: vulcanization, asbestos product

ABSTRACT: This Author's Certificate introduces: 1. A device⁴⁴ for continuous vulca-
nization of rolled products, e. g. asbestos friction belts. || The device contains
two endless steel traction pressing bands which pass over tension guide rollers, and
a vulcanization drum mounted on frames in fixed bearings. Over the surface of the
drum are electric heating elements. The device is designed for increased producti-
vity and high quality vulcanization of the finished products. The fixed vulcani-
zation drum is connected with two movable vulcanization drums by rods. These rods
are of equal length and are hinged to hydraulic cylinders which move the drums and
tighten the pressing plates. 2. A modification of this device with double vulcani-

Card 1/2

L 1353-66

ACCESSION NR: AP5024394

2

zation drums. The drums are concentrically located, the outer drum rotating freely above the surface of the inner drum, which is fastened tightly to a movable pipe. Replaceable electric heater stacks are mounted on the surface of the inner drum.

ASSOCIATION: Vsesoyuznyy nauchno-issledovatel'skiy institut asbestovykh tekhnicheskikh izdeliy (All-Union Scientific Research Institute of Industrial Asbestos Products)

44

SUBMITTED: 12Apr63

ENCL: 00

SUB CODE: IE, MT

NO REF SOV: 000, ,

OTHER: 000

KE
Card 2/2

PALEY, Ya.M.; LENOVICH, A.S.; DUBINETS, A.Ya.

A composite slippage regulator for asynchronous motors. Energ. i
elektrotekh.prom. no.4:67-69 O-D '62. (MIRA 16:2)

1. Kommunarskiy metallurgicheskiy zavod.
(Electric motors, induction)

LENOVICH, A.S.; DUBINETS, A.Ya.; PALEY, Ya.M.

Automatic temperature control and limiting of the heating of
the armatures of d.c. motors of rolling mills. Energ. i
elektrotekh. prom. no.2:6-7 Ap-Je '63. (MIRA 16:7)

1. KommunarSKIY metallurgicheskiy zavod.
(Electric motors—Cooling)
(Rolling mills—Electric driving)

LENOVICH, A.S.; DUBINETS, A.Ya.

Automatic control of a given number of metal biting turns on
reversing rollin mills. Avtom. i prib. no. 1:20-22 Ja-Mr '64.
(MIRA 17:5)

LENOVICH, A.S., inzh.; DUBINETS, A.Ya., inzh.; PALEY, Ya.M., inzh.

Continuous automatic control and limiting of the heating of armature
windings of the main d.c. motors of rolling mills. Elektrotehnika
35 no.4:42-43 Ap '64. (MIRA 17:4)

LENOVICH, A.S., inzh.; DUBINETS, A.Ya., inzh.; PALEY, Ya.M., inzh.

Increase in the operational reliability of rolling mill motors.
Prom. energ. 20 no.6:4-9 Je '65. (MIRA 18:6)