

BODROV, I.; GUBOV, S.; SAMOYLOVICH, S.; KHROMINENKOV, N.; YERSHOVA, I.,
red.; IVANOV, N., tekhn. red.

[Our fellow countrymen and outstanding scientists and engineers]
Nashi zemliaki - vydaiushchiesia deiateli nauki i tekhniki; v
pomoshch' slushateliam narodnykh universitetov kul'tury. [By]
I. Bodrov i dr. Kaluga, Kaluzhskoe knizhnoe izd-vo, 1962. 95 p.
(MIRA 16:8)

(Scientists)

DRUCHININ, Vasilii Illarionovich; GUROV, S., red.; KUZNETSOVA, A.,
tekhn. red.

[Builders of underground pipelines] Stroiteli podzemnykh
kommunikatsii. Moskva, Mosk. rabochii, 1963. 37 p.
(MIRA 16:7)

1. Rukovoditel' Brigady truboukladchikov SU No.6 tresta
"Mospodzemstroy" No.1, deputat Moskovskogo gorodskogo
Soveta (for Druchinin). (Pipelines)

KALUGIN, Viktor Vasil'yevich; GUROV, S., red.; KUZNETSOVA, A.,
tekhn. red.

[Campaign against manual labor] Pokhod protiv ruchnogo
truda. Moskva, Mosk. rabochii, 1963. 46 p. (MIRA 16:10)
(Moscow--Machinery industry--Technological innovations)

SITNIKOV, Gennadiy Dmitriyevich; DOBROZRKOV, Oleg Ivanovich;
SAZONOV, Vitaliy Ivanovich; GUROV, S., red.; KUZNETSOVA, A.,
tekh. red.

[The plant was helped by the foundry section] Zavodu pomog-
la sektiia liteishchikov. Moskva, Mosk. rabochii, 1963. 71 p.
(MIRA 17:3)

AFONIN, Pavel Vasil'yevich, ekskavatorshchik, Geroy Sotsialisticheskogo Truda; GUROV, S., red.; SHLYK, M., tekhn. red.

[How we operate excavators] Kak my rabotaem na ekskavatore.
Moskva, Mosk. rabochii, 1960. 36 p. (MIRA 13:9)
(Excavating machinery)

KLIMONOV, Yuriy Stepanovich; GUROV, S., red.; SHLYK, M., tekhn.red.

[A sector of communist labor] Uchastok kommunisticheskogo truda. Moskva, Mosk.rabochii, 1960. 42 p.

(MIRA 14:2)

1. Starshiy master teplovozostroitel'nogo zavoda imeni V.V. Kuybysheva (for Klimonov).

(Kolonna--Diesel locomotives)

TSUKANOV, Viktor Petrovich; GUROV, S., red.; PAVLOVA, S., tekhn.red.

[Example of Moscow area metallurgists] Primer metallurgov Podmoskov'ia. Moskva, Mosk.rabochii, 1960. 57 p.

(MIRA 13:7)

1. Nachal'nik elektricheskogo tsekha zavoda "Elektrostal'" imeni I.F.Tevosyana (for TSukanov).

(Moscow Province--Electrometallurgy)

SLOBODYANNIKOV, Sergey Stepanovich; GUROV, S., red.; PAVLOVA, S.,
tekhn.red.

[Increasing the wear resistance of machine parts] Povyshenie
stoikosti detalei mashin. Moskva, Mosk.rabochii, 1960. 91 p.
(MIRA 13:7)

(Friction) (Machinery--Maintenance and repair)
(Mechanical wear)

SOKOLOV, Vasily Stepanovich; GUROV, S., red.; PAVLOVA, S., tekhn.red.

[Flaw detection without rupture of parts] Kontrol' bez razru-
sheniia detalei. Moskva, Mosk.rabochii, 1960. 94 p.

(MIRA 13:7)

(Radiology, Industrial)
(Electric testing)

(Ultrasonic waves--Industrial applications)
(Luminescence)

BUTUSOV, Viktor Pavlovich; GUROV, S., red.; PAVLOVA, S., tekhn.red.

[Program controlled machine tools] Stanki s programmym
upravleniem. Moskva, Mosk.rabochii, 1960. 109 p. (MIRA 14:1)

(Machine tools--Numerical control)

OSHCHIPKOV, Fedor Paramonovich; TSARITSYN, Mikhail Alekseyevich; GUROV, S.,
red.; KRECHETOV, A., tekhn.red.

[Glass in technology] Steklo v tekhnike. Moskva, Mosk.rabochii,
1960. 109 p. (MIRA 13:12)
(Glass)

GUROV, S., red.; PAVLOVA, S., tekhn.red.

[We are building equipment for the seven-year plan; experiences in mechanization and automatization in enterprises of the Moscow area] Sozdaem tekhniku semiletki; opyt mekhanizatsii i avtomatizatsii predpriatii Podmoskov'ia. Moskva, Mosk.rabochii, 1960. 150 p. (MIRA 13:9)

(Industrial equipment)

KAPUSTIN, Ivan Il'ich, prof.; ARTOBOLEVSKIY, I.I., akademik, retsenzent;
GUR'OV, S., red.; PAVLOVA, S., tekhn.red.

[Creating machinery] Kak sozdaiut mashiny. Moskva, Mosk.rabochii,
1960. 269 p. (MIRA 13:7)
(Mechanical engineering)

GUROV, S.; ALEKSANDROV, A.; TRAKCHUK, R. (Minsk); KHLYSTOV, I.;
YUN'YEV, I.; ALEKSANDROV, S.; GIRUTSKAYA, A.; KURBANOV, G. (Baku)

Letters to the editors. Sov.profssoiuzy 16 no.10:50-54
'60. (MIRA 13:6)

1. Zamestitel' predsedatelya zavkoma Dneprodzershinskogo metallurgicheskogo zavoda imeni Dzerzhinskogo (for Gurov).
 2. Deystvitel'nyy chlen Vsesoyuznogo geograficheskogo obshchestva pri AN SSSR (for Yun'yev).
 3. Tekhnicheskiy inspektor Estonskogo soveta profsoyuzov, Tallinn (for Girutskaya).
- (Efficiency, Industrial) (Labor and laboring classes)

SOKOLOV, Vasilii Stepanovich; GUROV, S., red.; PAVLOVA, S., tekhn. red.

[Radioisotopes in automation] Izotopy v avtomatike. Moskva, Mosk.
rabochii, 1961. 126 p. (MIRA 14:6)
(Radioisotopes) (Automatic control)

KHUDYAKOV, Ivan Ivanovich, Geroy Sotsialisticheskogo Truda; GUROV, S.,
red.; POKHLEBKINA, M., tekhn. red.

[Rapid assembly of tower cranes] Skorostnoi montazh bashenrykh kra-
nov. Moskva, Moskovskii rabochii, 1961. 36 p. (MIRA 14:10)

1. Brigadir montazhnikov tresta "Mosstroyemkhanizatsiya" no.5 (for
Khudyakov).

(Cranes, derricks, etc.)

POLONSKIY, Yefim Petrovich; GUROV, S., red.; KUZNETSOVA, A., tekhn. red.

[The seven-year plan will be fulfilled in three years] Semiletku ~ v
tri goda. Moskva, Mosk. rabochii, 1961. 39 p. (MIRA 14:11)
(Orekhovo-Zuyevo--Cotton manufacture--Labor productivity)

KOVAL', Lev Mikhaylovich; YAROSLAVTSEV, Boris Alekseyevich; GUROV, S.,
red.; KUZNETSOVA, A., tekhn. red.

[From small-scale to over-all mechanization] Ot maloi mekha-
nizatsii - k kompleksnoi. Moskva, Mosk. rabochii, 1961. 102 p.
(MIRA 15:2)

(Assembly-line methods)
(Moscow--Electric machinery industry)

ISAYEV, Aleksandr Sergeevich; GUROV, S., red.; KUZNETSOVA, A., tekhn.
red.

[Electricity and transportation; from the history of electric
railroads and ground trackless electric transportation] Elek-
trichestvo i transport; iz istorii elektricheskikh zheleznykh
dorog i nazemnogo bezrel'sovogo elektrotransporta. Moskva,
Mosk. rabochii, 1961. 108 p. (MIRA 15:3)
(Electric railroads) (Electric vehicles)
(Railroads, Suspended)

GRINILEV, Lev Solomonovich; KIPNIS, Solomon Yefimovich; GUROV, S.,
red.; PAVLOVA, S., tekhn. red.

[Wonderful lines] Chudesnye linii. Moskva, Mosk. rabochii,
1961. 93 p. (MIRA 15:3)
(Assembly line methods) (Automation)

POPOV, Spiridon Pavlovich; GUROV, S., red.; KUZNETSOVA, A., tekhn.red.

[We shall double the guaranteed life of machinery] Udvoim
garantiinyi srok. Moskva, Mosk.rabochii, 1962. 49 p.

(MIRA 15:5)

1. Direktor Lyuberetskogo zavoda sel'skokhozyaystvennykh mashin
imeni Ukhtomskogo (for Popov).

(Lyubertsy—Agricultural machinery industry—Quality)
(Socialist competition)

SESLAVINSKIY, Ivan Sergeevich; GUROV, S., red.; YAKOVLEVA, Ye.,
tekh. red.

[The ABC of accounting] Azbuka bukhgalterii. Moskva, Mosk.
rabochii, 1962. 125 p. (MIRA 15:4)
(Accounting)

SVIRIDOV, Dmitriy Anempodistovich; GUROV, S., red.; PAVLOVA, S.,
tekhn. red.

[Economize in large as well as in small things] Ekonomit' v
bol'shom i malom. Moskva, Mosk. rabochii, 1961. 34 p.
(MIRA 15:10)

(Moscow—Electric lamps)

LANDO, Semen Yakovlevich; GUROV, S., red.; KUZNETSOVA, A., tekhn. red.

[Welding of body elements]Svarka korpusnykh detalei. Moskva,
Mosk. rabochii, 1962. 51 p. (MIRA 15:11)

(Automobiles—Bodies)

(Welding—Equipment and supplies)

ZUBREV, Ivan Petrovich; GUKOV, S., red.; KUZNETSOVA, A., tekhn. red.

[More production per unit of equipment] Bol'she produktsii s
edinitsey oborudovaniia. Moskva, Mosk. rabochii, 1962. 38 p.
(MIRA 15:11)

(Moscow--Wire industry--Technological innovations)
(Socialist competition)

PITERKIN, Vladimir Konstantinovich, brigadir; GUROV, S., red.;
KUZNETSOVA, A., tekhn. red.

[Made at the volunteer design bureau | Sdelano v obshchestven-
nom konstruktorskoy biuro. Moskva, Mosk. rabochii, 1962. 45 p.
(MIRA 15:11)

(Potato digger (Machine))

MAKSIMOV, Aleksandr Aleksandrovich; CHUGREYEVA, Margarita Mikhaylovna;
GUROV, S., red.; SHLYK, M., tekhn.red.

[Technological progress and material self-interest] Tekhnicheskii progress i material'naiia zainteresovannost'. Moskva, Mosk. rabochii, 1962. 58 p. (MIRA 15:11)
(Technological innovations) (Bonus system)

MORDYSH, Yuriy Zakharovich, shlifovshchik; GUROV, S., red.; KUZNETSOVA, A.,
tekhn. red.

[Contour grinding] Profil'noe shlifovanie. Moskva, Mosk. rabo-
chii, 1962. 71 s. (MIRA 16:2)

1. Zavod "Kalibr", Moskva (for Mordysh).
(Grinding and polishing)

KRASIVSKIY, Sergey Petrovich; GUROV, S., red.; KUZNETSOVA, A., tekhn.
red.

[Present trends in the development of industrial automatic
control] Kuda idet razvitie avtomatizatsii. Moskva, Mosk.
rabochii, 1962. 102 p. (MIRA 15:11)
(Automation) (Automatic control)

GIYENKO, Aleksey Vasil'yevich; GUROV, S., red.; KUZNETSOVA, A., tekhn.
red.

[Millions of rubles from grams of raw material]Milliony rublei
iz grammov syr'ia. Moskva, Mosk. rabochii, 1962. 37 p.
(MIRA 16:3)

1. Setochnik Serpukhovskoy bumazhnoy fabriki (for Giyenko).
(Serpukhov--Paper industry--Technological innovations)
(Suggestion systems)

PETROV, Igor' Konstantinovich; GUROV, S., red.; POKHLEBKINA, M.,
tekh. red.

[Moisture measurement and control] Izmerenie i regulirovanie
vlazhnosti. Moskva, Mosk. rabochii, 1962. 99 p.

(MIRA 16:4)

(Moisture--Measurement) (Automatic control)

LEONT'YEV, Sergey Yevtikhiyevich, inzh.; GUROV, S., red.; USTINOVA, S.,
tekhn. red.

[More, better and cheaper; potentials of industries manufactur-
ing consumer goods and those serving the population] Bol'she,
luchshe, deshevle; rezervy promyshlennosti tovarov narodnogo
potrebleniia i sluzhby byta. Moskva, Mosk. rabochii, 1963. 86 p.

(MIRA 16:4)

(Moscow--Manufactures) (Moscow--Service industries)

TEPLOV, Lev Pavlovich; GUROV, S., red.; YAKOVLEVA, Ye., tekhn. red.

[Studies in cybernetics] Ocherki o kibernetike. Izd.2.,
perer. Moskva, rabochii, 1963. 413 p. (MIRA 16:5)
(Cybernetics) (Automatic control)

SHEBEKO, Vladimir Alekseyevich; GURQV, S., red.; KUZNETSOVA, A.,
tekh. red.

[Propane in place of acetylene] Propan vmesto atsetilena.
Moskva, Mosk. rabochii, 1963. 60 p. (MIRA 16:5)
(Gas welding and cutting) (Propane)

ZHUR, Il'ya Ivanovich, zhurnalist; KHOKHLUSHIN, Viktor Afanas'yevich;
GUROV, S., red.; YAKOVLEVA, Ye., tekhn. red.

[Plant changes its production program] Zavod meniaet profil'.
Moskva, Mosk. rabochii, 1963. 82 p. (MIRA 16:12)

1. Direktor moskovskogo zavoda "Kalibr" (for Khokhlushin).
(Moscow--Instrument industry)

POPOV, Gavriil Kharitonovich; GUROV, S., red.; YAKOVLEVA, Ye.,
tekh. red.

[Electronic machines and economic administration] Elek-
tronnye mashiny i upravlenie ekonomikoi. Moskva, Mosk. ra-
bochii, 1963. 189 p. (MIRA 17:1)
(Electronic data processing--Industrial management)

NECHAYEV, Artem Nikolayevich; GUROV, S., red.

[Layout and operation of electronic digital computers]
Ustroistvo i rabota elektronnykh tsifrovyykh mashin. Moskva, Mosk. rabochii, 1964. 204 p. (MIRA 17:12)

GLADKOV, Kirill Aleksandrovich; GUROV, S., red.

[What radioelectronics is] Chto takoe radioelektronika.
Izd.2., ispr. 1 dop. Moskva, Mosk. rabochii, 1965. 397 p.
(MIRA 18:3)

RAZUMOV, Nikolay Alekseyevich; GUROV, S., red.

[Technological progress and the economic efficiency of production] Tekhnicheskii progress i ekonomichnost' proizvodstva. Moskva, Mosk. rabochii, 1965. 125 p.

(MIRA 18:5)

1. Nachal'nik tekhnicheskogo upravleniya Soveta narodnogo khozyaystva Moskovskogo gorodskogo ekonomicheskogo rayona (for Razumov).

PRONIKOV, Aleksandr Sergeevich; GIKOV, S., red.

[Self-regulation in automated machine tools] Samoregulirovanie v stankakh-avtomatakh. Moskva, Mosk. rabochii ,
1965. 166 p. (MIRA 18:7)

OSHCHEPKOV, Pavel Kondrat'yevich, inzh.-izobr, prof., doktor tekhn.
nauk, zaasl. deyatel' nauki i tekhniki RSFSR; GUROV, S. red.

[Life and dream; notes of an engineer, inventor, designer and
scientist] Zhizn' i mehta; zapiski inzhenera-izobretatelya
konstruktera i uchenogo. Moskva, Moskovskii rabochii, 1965.
308 p. (MIRA 18:8)

KAFUSTIN, Ivan Il'ich; ARTOBOLEVSKIY, I.I., akademik, retsenzent;
GUROV, S., red.

[How machines are created] Kak sozdaiut mashiny. Moskva,
Mosk. rabochii, 1965. 373 p. (MIRA 19:1)

GUROV, S. A.

Yektov, I. M., Gurov, S. A. and Troskunov, Ya. L. "How to
roll bulb-bar shapes," Trudy Stalinskogo obl. otd-niya
VNITOM, No. 1, 1949, p. 68-73

SO: U-5241, 17 December 1953, (Letovis 'Zhurnal 'nykh Statey, No. 36, 1949)

GUROV, S.A., inzhener; KONOVALOV, I.M., inzhener.

Efficient grooving of the stand of shingling rolls. Stal' 15 no.2:
181-183 F '55. (MIRA 8:5)

1. Stalinskiy metallurgicheskiy zavod.
(Rolling mill machinery)

GUROV, S.A.; KONOVALOV, I.M.

Special features of rolling thick plate. Stal' 16 no.1:69-70 '56.
(MLRA 9:5)

1. Stalinskiy metallurgicheskiy zavod.
(Rolling (Metalwork))(Sheet steel)

SOV/137-58-8-10061

Translation from: Referativnyy zhurnal, Metallurgiya, 1958, Nr 8, p 91 (USSR)

AUTHORS: Gurov, S.A., Konovalov, I.M.

TITLE: Improvement in Groovings with the Object of Reducing the Number of Passes (Usovershenstvovaniye kalibrovok s tsel'yu sokrashcheniya kolichestva prokhodov)

PERIODICAL: Tr. Nauchno-tekhn. o-va chernoy metallurgii. Ukr. resp. pravl., 1957, Vol 2, pp 119-126

ABSTRACT: The number of passes on a blooming mill (B) rolling a 200x200 mm bloom from a 3.4-t ingot of 575x575 mm maximum cross section has been reduced from 25 to 15. The possibility of doing this was established as a result of analysis of the load borne by the main motor on each pass. Inasmuch as rolling (R) is done on the B and the 710 mill with a single heating, the increase in the output of the B caused a bottleneck at the finishing line of the 710 mill. To eliminate this, the number of passes on this mill was cut in half by replacing box passes by diamond passes making possible greater drafts. As a result of this substitution, the quality of the R improved and it became easier for the rolls to bite the metal. Analysis of the functioning of

Card 1/2

SOV/137-58-8-16861

Improvement in Groovings (cont.)

the 400 mill showed that the motor had unused capacity and that the major elements of the mill had excess strength. The grooving of the 400 mill was re-examined with the idea of increasing the draft. Specifically, under the former R system a 35-mm square was rolled on the roughing line in 5 passes, while by the new system it is done in 3; under the old system 35, 38, and 40-mm squares were rolled in 6 passes on the finishing stand, while on the new it is done in 4. The grooving changes that were made resulted in a 15% increase in the output of the 400 mill in the R of squares. The number of passes in the R of 25x60, 73x10-13, and 89x13-mm, and other strip was cut in half on the 350 mill.

S.G.

1. Rolling mills—Performance

Card 2/2

GUROV, S.A., inzh., aspirant

Changes in the properties of phlogopite in connection with its
hydration. Trudy VZNI no.9:256-272 '58. (MIRA 12:10)
(Phlogopite)

YEKTOV, I.M.; ZARUYEV, V.M.; GUROV, S.A.; REVENKO, I.F.; V rabote
prinimali uchastiye : KALMANOVICH, Yu.R.; GRIGOR'YEV, F.N.;
KOSHELENKO, A.M.; LITVINENKO, Yu.P.; DMITRIYEV, V.D.;
POLYAKOV, V.V.; PETUSHKOV, Ye.S.; FIRSOV, P.V.

Rolling double bulb-bar shapes with longitudinal cutting in
the finishing mill. Stal' 20 no. 12:1113-1115 D '60.
(MIRA 13:12)

1. Stalinskiy metallurgicheskiy zavod i Donetskiy politekhnicheskiy institut.
(Rolling (Metalwork))

← GUROV, S.G., inzh.

Economic evaluation of coal extraction from protective pillars.
Ugol' 37 no.2:40-42 F '62. (MIRA 15:2)

1. Donetskii nauchno-issledovatel'skiy institut nadshakhtnogo
stroitel'stva.

(Mining engineering—Costs)

GUROV, Sergey Pavlovich; KHROMIYENKOV, Nikolay Aleksandrovich, kand.
ist. nauk; YERSHOVA, I., red.; IVANOV, N., tekhn. red.

[P.L.Chebyshev, the great Russian scientist; on the 140th anniversary of his birth] Velikii russkii uchenyi P.L.Chebyshev; k 140-letiiu so dnia rozhdeniia. Kaluga, Kaluzhskoe knizhnoe izd-vo, 1961. 52 p. (MIRA 14:12)
(Chebyshev, Pafnutii L'vovich, 1821-1894)

AUTHORS: Sevast'yanov, V.S. and Gurov, S.S. SOV/130-58-7-9/35

TITLE: The Metallurgists of Dneprodzerzhinsk (Metallurgi
Dneprodzerzhinska)

PERIODICAL: Metallurg, 1958, Nr 7, pp 20 - 21 (USSR)

ABSTRACT: The authors mention very briefly the early history of the Dneprodzerzhinsk Iron and Steel Works and the present world-wide use of its products. They state that in the first quarter of this year, all production targets have been exceeded and mention the daily discussion in the melting shop of operating results. A continuous lime burning unit, designed by the works director, G.G. Oreshkin, Engineer A.K. Rudkov and N.Z. Plotkin has been advantageously (a 10% sinter production increase) adopted in the sinter plant, in Nr 3 melting shop an electronic furnace firing controller has been introduced for the first time in the USSR, new repeaters have been installed in the section mills and new charging gear on the blast furnaces. Preparations are being made to automate the blooming mill, and the production of ore pellets and constructing of a fourth converter are to start soon. Converter practice has already been automated with the spectrographic determination of the completion of the process. The authors name the following

Card 1/2

The Metallurgists of Dneprodzerzhinsk

SOV/130-58-7-9/35

works' personnel who have distinguished themselves: P.P. Lygun, Susida, Khren', Gorb, Verkhoglyad, Chuvachko, rik, Dedushev, Kotov, Bogun, F.P. Taraba. They describe measures taken against unsatisfactory workers.

There are 2 illustrations.

ASSOCIATION: Dneprodzerzhinskiy metallurgicheskiy zavod
(Dneprodzerzhinsk Metallurgical Works)

Card 2/2

1. Steel industry--USSR
2. Sintering plants--Equipment
3. Spectrographic analysis--Applications

ACCESSION NR: AP4035698

S/0057/64/034/005/0868/0872

AUTHOR: Gurov, S.V.; Dzhaferov, T.A.; Malinin, A.A.; Osadin, B.A.; Taynov, Yu.F.

TITLE: Electrode processes in high current vacuum discharges

SOURCE: Zhurnal tekhnicheskoy fiziki, v.34, no.5, 1964, 868-872

TOPIC TAGS: electric discharge, vacuum discharge, high current discharge, electrode erosion

ABSTRACT: Electrode erosion in high current vacuum discharges was investigated by high speed photography of the discharges and microscopic examination of the electrodes. The discharges took place between the ends of coaxial electrodes separated by teflon insulation and located in a chamber evacuated to approximately 3×10^{-5} mm Hg. The inner electrodes were 10 mm in diameter and were of steel, copper, tungsten or tin. The diameters of the outer electrodes were 20 and 28 mm; these were of lead, cadmium, tin, zinc or copper. The energy for the discharge was provided by a bank of electrolytic capacitors charged to from 200 to 300 V and having a capacity of 0.002 to 0.014 farad. The discharge was initiated by a vacuum spark. High speed photographs with a type SFR camera showed the development of a characteristic

Card 1/3

ACCESSION NR: AP4035698

cone of expelled erosion products. The generatrices of this cone made an angle of about 25° with the axis of the electrodes. The maximum intensity of radiation occurred approximately 15 microsec after the onset of discharge; visible expulsion of material ceased soon after this, but the electrodes continued to glow for several hundred microseconds. Time resolution photographs showed the presence of spatially limited plasma formations moving with velocities up to 1.5×10^6 cm/sec. These "microplasmoids" were 2 to 5 mm long (in the direction of motion), but their transverse dimensions were much smaller. Electrode material was deposited on the wall of the vacuum chamber near the electrodes. In addition to this, there was a well-focused beam of ionized metal in the direction of the axis of the electrodes. The diameter of this beam increased only to 3 cm in a distance of one meter. The electrodes were polished to a mirror finish before the discharge. After the discharge the anode (inner electrode) showed dark spots several millimeters in diameter, and the cathode (outer electrode) was pitted with many small "microcraters". These microcraters were very numerous near the inner edge of the cathode, while the outer region was free of them. The microcraters were from 1 to 5 microns in diameter in the copper cathodes, and from 10 to 150 microns in diameter and from 2 to 10 microns deep in the cadmium, tin and zinc cathodes. The craters increased in size with increasing discharge energy. Droplets of metal (1 to 20 microns) could be seen on the

2/3

Card

ACCESSION NR: AP4035698

more easily melted cathodes. Although it was the cathodes that were pitted, the microplasmoids originated at the anodes. It is suggested that their high velocities may be due to electrodynamic accelerating forces of the type discussed by H. Maocker (Zs.phys.,141,198,1955). A simple regenerative mechanism is suggested to account for microcrater formation: a local increase of the metal vapor density reduces the thickness of the cathode drop region. This results in a local increase of the electric field, and hence of the current. The increased current increases the local temperature, and hence the local evolution of metal vapor. "In conclusion the authors express their gratitude to A.G.Iosif'yan, member of the Academy of Sciences of the Armonian SSR, for his interest in the work, and to Yu.P.Ry*lov and A.A.Stup-in for discussing the results." Orig.art.has: 1 formula and 4 figures.

ASSOCIATION: none

SUBMITTED: 08Jun63

ATD PRESS: 3086

ENCL: 00

SUB CODE: ME, GC

NR REF SOV: 006

OTHER: 001

3/3
Card

ACC NR: AP6032185

SOURCE CODE: UR/0096/66/000/010/0056/0060

AUTHOR: Kopelev, S. Z. (Candidate of technical sciences); Gurov, S. V. (Engineer)

ORG: none

TITLE: Investigating the hydraulic resistance of a cooled blade

SOURCE: Teploenergetika, no. 10, 1966, 56-60

TOPIC TAGS: nozzle blade, nozzle blade cooling, hydraulic resistance, ~~air-cooled turbine blade~~, turbine blade, blade cooling, gas turbine

ABSTRACT: The experimental investigation of the throughflow-volume characteristics and the leakage of the cooling air in the passage between the nozzle blades of a gas turbine is described, and the obtained results are discussed. The construction of the blade with an inner deflector is shown on Fig. 1 and the schematic diagram of the test setup, in Fig. 2. The construction of the test setup permitted the air parameters and the flow volume to be varied over large ranges (e.g., Mach number between the blades = 0—1.1; pressure in the inner cavities of blades up to 4 atm). All experiments were divided into two groups: 1) determination of the relationship between the volumes of air supplied through the cooling channels, and of the air leaning through the tip and root gaps, for various Mach numbers in the interbladed passages; and 2) determination of the coefficients of hydraulic resistance for the convex and concave blade portions, for the inlet edge, and for the outlet slots. In the first group of experiments, the variation in M was attained by changing the air

Card 1/5

UDC: 621.438.62-71.001.5

ACC NR: AP6032185

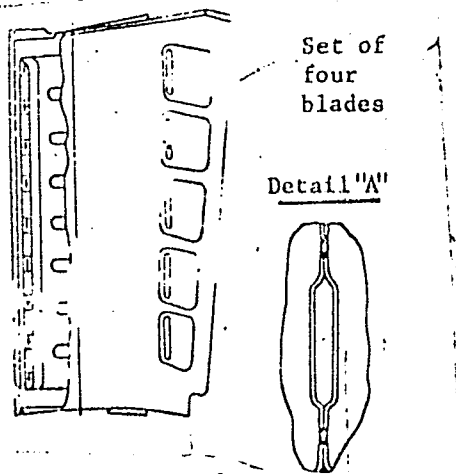
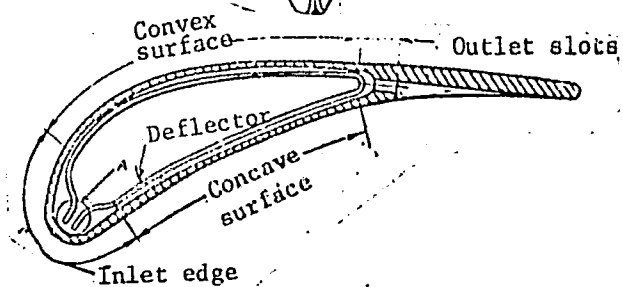


Fig. 1. Nozzle blade



Card 2/5

ACC NR: AP6032185

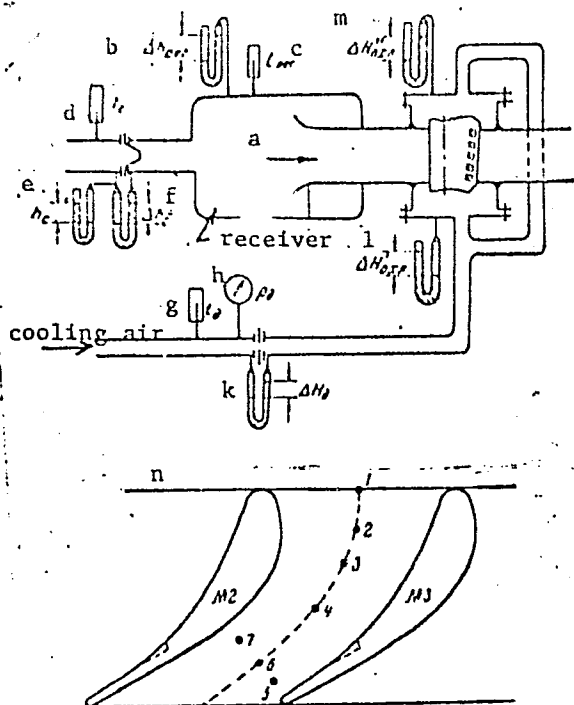


Fig. 2. Test setup

a - Annular-passage flow; b,c - pressure and temperature in the receiver; d,e,f - measuring nozzle: pressure, temperature, and pressure drop; g,h,k - measuring membrane: temperature, pressure, and pressure drop; l,m - pressure in the cooling-air supply chamber; n - velocity-probe arrangement in an interblade passage.

Card 3/5

ACC NR: AP6032185

pressure in the receiver. The effect of M on the amount of cooling, air leakage in relation to the total volume supplied, and on the total volume for various pressures in the cooling-air supply chambers is examined. The dependence of through-flow characteristics in the interbladal passages with and without the cooling-air supply, and with open and closed gaps between blades and nozzle-wheel rings are also discussed. The results of all these tests are shown in diagrams. The processing of data obtained in the second group of experiments showed that the magnitude of the hydraulic-resistance coefficient ξ_{SL} of the outlet slot is equal to 0.3 and practically does not depend on the Reynolds numbers in the range $Re = (0.5-2.5) \times 10^4$ which was used in testing. ξ_{cc} along the convex and

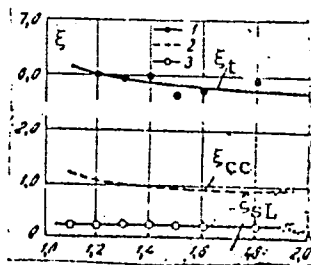


Fig. 3. Hydraulic-resistance coefficient $\xi = f(\pi)$

1 - $\xi_t = f(\pi)$; 2 - $\xi_{cc} = f(\pi)$; 3 - $\xi_{SL} = \text{const.}$

CC NR: AP6032185

concave portions, and ξ_{in} at the inlet edge of the blade as well as the total coefficient ξ_t are determined, and the results are shown in Fig. 3 as function of a certain parameter \bar{w} accounting for the effect of the velocity increase (pressure drop) in the cooling system. The methods used in determining ξ are explained, their association with the heat exchange is outlined, and the possibility of constructing the thermal characteristics of the turbine blades from the experimental data is examined. It was concluded that the cooling-air supply into the passage of a turbine reduces the gas flow through the annular area, and that the presence of the tip and root gaps causes additional hydraulic losses. Orig. art. has: 7 figures. [WA-76]

SUB CODE: 21/ SUBM DATE: none/ ORIG REF: 005/

Card 5/5

TIKHMEV, Sergey Sergeevich; FRIDLENDER, G.O., professor, doktor
tekhnicheskikh nauk, retsenzent; SELEZNEV, V.P., dotsent,
kandidat tekhnicheskikh nauk, retsenzent; MATVYEV, N.K., inzhener
retsenzent; GUREV, S.Z., redaktor; LOSOVA, G.F., izdatel'skiy
redaktor; ANTONYUK, P.D., tekhnicheskii redaktor

[Elements of precision instruments; a computation and construction
manual] Elementy tochnykh priborov; rukovodstvo po raschetu i
konstruirovaniyu. Moskva, Gos.izd-vo obr. promyshl., 1956. 360 p.
(Instruments)

RYBKIN, Aleksandr Pavlovich; GUROV, Sergey Zotikovich; YARTSEV, N.,
red.; POKHLEBKINA, M., tekhn. red.

[Industry and science] Ptomyshlennost' i nauka. Moskva, Mo-
skovskii rabochii, 1963. 101 p. (MIRA 16:7)
(Moscow region--Research, Industrial)
(Moscow region--Technological innovations)

VOLKOV, Georgiy Petrovich; GUROV, Sergey Zotikovich; SPITSYNA, A.,
red.

[First plastics plant] Pervyi plastmassovyi. Moskva,
Mosk. rabochii, 1964. 106 p. (MIRA 17:12)

TIKHONOVA, M., dvornik (Zagorsk, Moskovskoy obl.); GUROV, T., dvornik (Zagorsk, Moskovskoy obl.); VAS'KINA, A., dvornik (Zagorsk, Moskovskoy obl.); KISELEV, A., dvornik (Zagorsk, Moskovskoy obl.); VASINA, M., dvornik (Zagorsk, Moskovskoy obl.); SHAKALOVA, A., dvornik (Zagorsk, Moskovskoy obl.); TIKHONOVA, P., dvornik (Zagorsk, Moskovskoy obl.); FEROVA, A., dvornik (Zagorsk, Moskovskoy obl.)

An open letter from yard cleaners in Zagorsk. Zhil.-kom. khoz. 13 no.3:
10 Mr '63. (MIR 16:3)

(Cleaning machinery and appliances)

CHEROV, V., INOZEMTSEVA, M.; ZVEREVA, I.

Drug Trade

Production of medicines in enterprises of the meat industry. Mas. ind. SSSR 23 no. 3, 1952.

Monthly List of Russian Accessions, Library of Congress, September 1952. Unclassified.

GUROV, V.; MIKHEYEVA, Z.

Potentials of Krasnoyarsk construction projects. Fin. SSSR
23 no.3:67-70 Mr '62. (MIRA 15:3)

1. Upravlyayushchiy Krasnoyarskoy krayevoy kontoroy Stroybanka (for Gurov).
2. Nachal'nik planovo-ekonomicheskogo otdela Krasnoyarskoy krayevoy kontoroy Stroybanka (for Mikheyeva).
(Krasnoyarsk Territory--Construction industry--Finance)
(Krasnoyarsk Territory--Banks and banking)

GUROV, V., inzhener; ZVEREVA, L., inzhener.

Insulin production. *Mias.ind.* SSSR 24 no.6:41-42 '53. (MIRA 6:12)

1. Glavnyaso.

(Insulin)

Gurov, V.

chem.

✓ Nutritional quality of liquid hematogen. V. Gurov, *Kyashnaya Dtd. S.S.S.R.* 27, No. 2, 15-16(1956).—A blood prepn., liquid hemoglobin, which supposedly can be successfully used for human medical nutrition is described. It consists of a cattle blood centrifugate 49, EtOH 5-6, glycerol 5, 2% Mn lactate soln. (contg. 0.03% CaSO_4) 0.5, 1% Fe citrate soln. 1.25, preserving soln. (0.81 kg. H_2SO_4 , 0.81 kg. Na salicylate, and 3.24 kg. Na benzoate/30 L. water) 0.5, sugar 28-31, vitamin B₁ 0.01, and a raspberry essence 0.13%, resp.; the prepn. is made up to 100% with boiled water. E. Wierbicki

(clipped abstract)

MM
22

GUROV, V.

Why does construction cost so much? Fin. SSSR 23 no.12:48-49
D '62. (MIRA 16:1)

1. Upravlyayushchiy Krasnoyarskoy kontoroy Stroybanka.

(Krasnoyarsk Territory--Construction industry--Costs)

GORBATOV, V.M.; GUROV, V.A.; POZHARISKAYA, L.S.; DOLGOVSKIY, V.V.,
otv. za vyp.; ANAN'YEV, V.I., osv. za vyp.; MANVELOVA,
Ye.S., tekhn. red.

[Production of endoenzyme preparations in Bulgaria and
France] Proizvodstvo endokrinno-germentnykh preparatov v
Bolgarii i Frantsii. Moskva, Tsentral'nyy in-t nauchno-
tekhn. inform. pishchevoi prom., 1962. 33 p.

(MIRA 17:3)

GUROV, Vyacheslav Alekseyevich; SHVARTS, S.I., spetsred.; KORBUT, L.V.,
red.; SATAROVA, A.M., tekhn.red.

[Handbook on the endocrine, enzymatic, and special raw materials
for and the production of organic preparations] Spravochnik po
endokrinnomu, fermentnomu, spetsial'nomu syr'iu i proizvodstvu
organopreparatov. Moskva, Pishchepromizdat, 1961. 307 p.

(MIRA 15:4)

(MATERIA MEDICA, ANIMAL)

(DRUG INDUSTRY)

SHCHERBAKOVSKIY, Vladimir Yakovlevich; GUROV, V.D., redaktor; KHRISTENKO,
V.P., redaktor izdatel'stva; ~~KONASHINA~~, A.D., tekhnicheskiy
redaktor

[Drying wood in petrolatum; practices of the Repair and Construction
Trust of the Railroad District of Moscow] Sushka drevesiny v petrola-
tume; iz opyta remontno-stroitel'nogo tresta Zheleznodorozhnogo
ralona Moskvay. Moskva, Izd-vo M-va kommun.khoz. RSFSR, 1957. 70 p.
(Lumber--Drying) (Petrolatum) (MLRA 10:9)

GEROV, V.M.

Practice of using a wage system of an established pay for
a set amount of work in prospecting operations. Razved.
i okhr. near 28 no.10:60-61 0 '62. (MIRA 15:11)

1. Otdel ekonomiki Vsesoyuznogo nauchno-issledovatel'skogo
instituta mineral'nogo syr'ya.
(Wages--Prospecting)

L 11955-66 EWT(l)/EWT(m)/EPF(n)-2/EWP(t)/EWP(b)/EWA(m)-2 LIP(c) JD/WV/JG/AT
 ACC NR: AP5026596 SOURCE CODE: UR/0056/65/049/004/1072/1076

AUTHORS: ^{44,55} Pivovar, L. I.; ^{44,55} Nikolaychuk, L. I.; ^{44,55} Gurov, V. M. 88
85
B

ORG: ^{44,55} Physicotechnical Institute, Academy of Sciences, Ukrainian SSR
 (Fiziko-tehnicheskij institut Akademii nauk Ukrainiskoy SSR)

TITLE: Equilibrium distributions of the charge of Li, Na, and K ions
 in Cd, Mg, and Zn Vapors ⁴

SOURCE: Zhurnal eksperimental'noy i teoreticheskoy fiziki, v. 49,
 no. 4, 1965, 1072-1076

TOPIC TAGS: electron loss, electron capture, charge density, lithium,
 sodium, potassium, ion interaction, *charged particle*.

ABSTRACT: In view of the considerable scientific and practical interest
 attaching to investigations of the loss and capture of electrons and
 ions by metal vapors, the authors studied the equilibrium distributions
 of the charge in beams of Li, Na, and K after passage through targets
 consisting of cadmium, magnesium, and zinc vapors. The charge reac-
 tions were determined in the energy range 20--155 kev. The apparatus
 used was essentially the same as used earlier to investigate the inter-
 action between lithium ions and condensed targets (ZhETF v. 47, 1221,
 1964). The modifications of the equipment and the experimental pro-

Card 1/2

L 11955-66

ACC NR: AP5026596

3

cedures are described in detail. The variations of the equilibrium charged fraction on the relative ion velocity were similar for all three ions. As the atomic number of the ions increased from Li to K, a systematic decrease was observed in the relative content of the neutral particles, and a considerable increase in the fraction of the doubly charged particles. These values were not the same in zinc, magnesium, and cadmium. Final interpretation of the results is impossible without knowledge of the effective electron capture and loss cross sections. Authors thank Academician A. K. Valter¹⁹⁷⁵ of the Academy of Sciences UkrSSR for his interest in the investigation. Orig. art. has: 4 figures.

SUB CODE: 20/ SUBM DATE: 26May65/ NR REF SOV: 004/ OTH REF: 002


Card

2/2

L 40782-66 EWT(1)/EWT(m)/T/EWP(L)/ETI/EWP(K) LJP(c) DS/JD/IN
ACC NR: AP6Q18611 SOURCE CODE: UR/0420/65/000/004/0107/0109

AUTHOR: Lopatin, A. I.; Balyberdin, V. V.; Chumachenko, V. S.; Gurov, V. M.; Trubchaninov, F. N.; Kirichenko, R. F.; Fomenko, F. I.

ORG: Kharkov Aviation Institute (Khar'kovskiy aviatsionnyy institut)

TITLE: Investigation of an ^{2/}electrohydraulic source and some of its potential applications ₄

SOURCE: Samoletostroyeniye i tekhnika vozdushnogo flota, no. 4, 1966, 107-109

TOPIC TAGS: electrohydraulic effect, shock wave, electric discharge

ABSTRACT: The authors describe a highly efficient coaxial electrohydraulic source for industrial use. A diagram of the device is shown in figure 1. The annular aluminum electrode 2 is fastened to textolite base 1 by bolts. Stainless steel electrode 3 is fastened to the base inside the aluminum electrode and located on its central axis. Voltage is fed to the annular and central electrodes from a battery of condensers through a controllable discharger. The electrical discharge between the electrodes develops in the form of individual spark channels. A schematic diagram of the experimental unit used for testing the source is shown in figure 2.

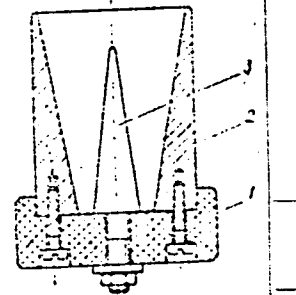


Figure 1

96
92
13

Card 1/3

L 40782-66

ACC NR: AP6018611

Voltage from regulator 1 is fed through step-up transformer 2 and high-voltage rectifier 3 to condenser battery 5 with a total capacitance of 6 μ f. The charging voltage is monitored on electrostatic kilovoltmeter 6. The current in the discharge circuit is registered by a low-inductance Rogowski loop with an integrating circuit connected in the coaxial cable. The signal from this integrating circuit is fed to one channel of an oscillograph. A capacitance signal from the voltage divider is fed to the second channel of the oscillograph through a 75 Ω impedance matching resistor. Analysis of the oscillograms shows that the cyclic frequency of the discharge is 925 Kc while the inductance of the discharge circuit is 0.2 μ h. The current amplitude of the discharge reaches 16 Ka when 10 Kv is applied to the condenser plates. Water velocity is a linear function of discharge voltage with the approximate equation $W=4V+1$, where W is water velocity in m/sec and V is voltage in Kv. At a distance of 3 m

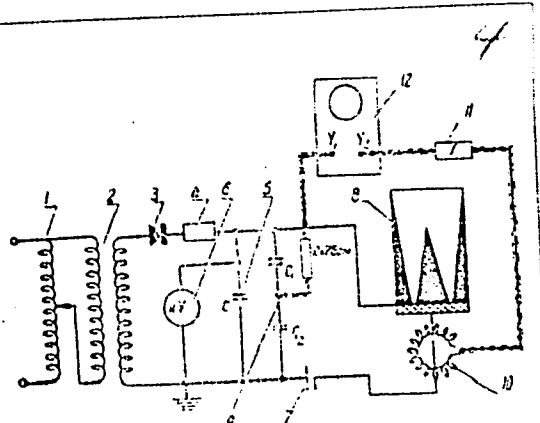


Figure 2: 1--voltage regulator; 2--step-up transformer; 3--20 Kv high-voltage rectifier; 4--60 K Ω discharge resistor; 5--IM-50-3 condenser battery; 6--S-96 kilovoltmeter; 7--discharger; 8--electrohydraulic source; 9--D6-2 voltage divider; 10--Rogowski loop; 11--integrating circuit; 12--OK-17M double beam oscillograph

Card 2/3

L 40782-66

ACC NR: AP6018611

from the source, the cross sectional area of the water stream is no more than three times that of the source. Orig. art. has: 4 figures.

SUB CODE: 13/ SUBM DATE: none/ ORIG REF: 007

20/

Card 3/3 *mep*

ABRAMOVICH, K.G.; ASTAPENKO, P.D.; BYKOV, V.V.; BUSHUK, V.I.;
GUROV, V.P.; ZVEREV, A.S.; MININA, L.S.; MOROZKIN, A.A.; RUPPERT,
L.L.; SERGAYEV, B.M.; ZVEREV, A.S.; POGOSYANA, Kh.P.,redaktor;
YASNOGORODSKAYA, M.M.,redaktor

[School synoptical atlas of weather maps] Uchebnyi sinopticheski
atlas. Leningrad, Gidrometeorologicheskoe izd-vo. Pt. 1. 1956,
48 fold. maps (in portfolio)--[Assignments for students using the
"school synoptical atlas of weather maps."] Zadaniia dlia studentov
k "Uchebnomu, sinopticheskomu atlasu," chást' 1. Sost. A.S. Zverev.
1956. 114 p. (MLRA 10:5)

(Meteorology--Charts, diagrams, etc.)

ASTAPENKO, P.D., kand.geograficheskikh nauk; BURTSEV, A.I., kand.fiziko-matematicheskikh nauk; GUROY, Y.P., kand.fiziko-matematicheskikh nauk; ZVEREV, A.S., kand.fiziko-matematicheskikh nauk; ZUBYAN, G.D., doktor geograficheskikh nauk; MININA, L.S., kand.geograficheskikh nauk; MOROZKIN, A.A., inzhener-meteorolog; RUPPERT, L.L., kand.geograficheskikh nauk; SERGEYEV, B.M., inzhener-meteorolog; SAMOYLOV, A.I., kand.fiziko-matematicheskikh nauk; TURKUTPI, Z.L., kand.geograficheskikh nauk; CHERNOVA, V.F., starshiy nauchnyy sotrudnik; CHISTYAKOV, A.D., kand.fiziko-matematicheskikh nauk; POGOSYAN, Kh.P., prof.,red.; YASNOGORODSKAYA, M.M., red.; BRAYNINA, M.P., tekhn.red.

[Synoptic study atlas] Uchebnyi sinopticheskii atlas. Leningrad, Gidrometeor. izd-vo. Pt.2. (Sost. P.D.Astapenko i dr.) 1957. 90 fold. maps (in portfolio) — — — [Practical recommendations and assignments for students using the "Synoptic study atlas" Metodicheskie rekomendatsii i zadaniia dlia studentov k "Uchebnomu sinopticheskomu atlasu," chast' 2. Sost. A.S.Zverev. 1957. 87 p. (MIRA 11:3)

1. Tsentral'nyy institut prognozov (for Chernova)
(Climatology--Charts, diagrams, etc.)

AUTHORS: Gurov, V. P., Smirnov, P. I., SOV/50-58-11-19/25
Ruppert, L. L.

TITLE: A. S. Zverev, "Synoptic Meteorology". Gidrometeoizdat, Lenin-grad 1957 (A. S. Zverev "Sinopticheskaya meteorologiya". Gidrometeoizdat. L. 1957)

PERIODICAL: Meteorologiya i gidrologiya, 1958, Nr 11, pp 62-63 (USSR)

ABSTRACT: In the last 5-6 years there was no textbook of synoptic meteorology available in meteorological academies, which rendered the training in the aforesaid field very difficult. The publication of the book mentioned in the title therefore was impatiently expected. According to the authors, this textbook, which has been recommended for universities, meets the requirements. Further, it is a monography which is available to a wide circle of engineer-synopticians. This is a great advantage of the book. Several insufficiencies discussed in this review in general do not reduce the value of the book. These insufficiencies are the following: 1) It would be better to add some introductory remarks concerning general data on the causes of the variations of meteorological elements to the chapter of the total atmospheric circulation; 2) in chapter 23, "Transformation of Air

Card 1/2

A. S. Zverev, "Synoptic Meteorology". Gidrometeoizdat, SOV/50-58-11-19/25
Leningrad 1957

Masses", the author should give a more detailed representation of the results of theoretical investigations in the field of transformation; 3) it would be more useful to discuss the transformation at the beginning of the chapter; 4) chapter 24, "Analysis of Air Masses", is represented to a very limited extent; 5) the schemes of fronts are represented without taking into proper account the latest experimental results; 6) the historical aspect of the formation of cyclones and anti-cyclones should be discussed in a somewhat more limited way. Modern views on this problem should be discussed in a closer connection with the theory of pressure variation; 7) the authors gave an unsatisfactorily detailed representation of the forecasts of cloud formations and thunderstorms.

Card 2/2

GIRS, Aleksandr Aleksandrovich. Primalni uchastiye: GUROV, V.P.,
dotsent; KHRABROV, Yu.B., kand.fiziko-matem.nauk. POKROVSKAYA,
T.V., otv.red.; VLASOVA, Yu.V., red.; BRAYNINA, M.I., tekhn.red.

[Fundamentals of long-range weather forecasting] Osnovy dolgo-
srochnykh prognozov pogody. Leningrad, Gidrometeor.izd-vo, 1960.
559 p. (MIRA 13:7)

1. Tsentral'nyy institut prognozov (for Khrabrov).
(Weather forecasting)

ASTAPENKO, P.D.; BEL'SKAYA, N.N.; BUSHUK, V.I.; BUSHUK, O.A.; ~~GUROV, V.P.~~;
ZUBYAN, G.D.; KATS, A.L.; MININA, L.S.; MOROZKIN, A.A.; PAVLOVSKAYA,
A.A.; POGOSYAN, Kh.P.; SAMOYLOV, A.I.; SMIRNOV, P.I.; TARAKANOV,
G.G.; TURKETTI, Z.L.; CHERNOVA, V.F.; CHISTYAKOV, A.D;

[Synoptic atlas for schools] Uchebnyi sinopticheskii atlas. Pod
red. Kh.P.Pogosiana. 3, perer. i dop. izd. Leningrad, Gidrometeo
izdat, 1962. 217 gold.col.maps. (MIRA 16:3)

___ [Assignments for students] Zadaniia dlia uchashchikhsia. Pod
red. Kh.P.Pogosiana. 138 p. ___ [Methodological instructions and
recommendations for teachers] Metodicheskie ukazaniia i rekomen-
datsii dlia prepodavatelei. Pod red. Kh.P.Pogosiana. 73 p.
(Meteorology—Charts, diagrams, etc.)

GUR'OV, V. S.

GUR'OV, V. S. -- "ANALYSIS OF A SYSTEM OF CONTROLLING THE LEVEL OF TRANSMISSION OF THE LINE OF THERMAL CONTROLLABLE RESISTANCE." SUB 30 JUN 52, Moscow ELECTRICAL-ENGINEERING INST OF COMMUNICATIONS (DISSERTATION FOR THE DEGREE OF CANDIDATE IN TECHNICAL SCIENCES)

SO: VECHERNAYA MOSKVA, JANUARY-DECEMBER 1952

GUROV, V. S.

"A Certain Method of Approximation of the Resistance Characteristic of a Thermistor With Indirect Heating in Circuits ARU,"
Inform. byull, No 5, pp 1-10, 1953

The design of the circuit of thermistors with indirect heating is based on approximation of the ratio of the thermistor resistance to the heater current expressed as a function of a hyperbolic tangent. The method is applicable when the output power of the thermistor is much below the output power of the heater. (RZhFiz, No 4, 1955)

S0: Sum, No 606, 5 Aug 55

GUROV, Vadim Sergeevich; ABOLITS, I.A., redaktor; BELIKOV, B.S., redaktor
SOLOV'YEVA, L.P., tekhnicheskii redaktor.

[Automatic control of power level on long distance communication
lines] Avtomaticheskoe regulirovanie urovnia peredachi na liniakh
dal'nei sviazi. Moskva, Gos. izd-vo lit-ry po voprosam sviazi i
radio, 1954. 47 p. (MLRA 8:8)
(Telecommunications)

GUROV, V.S.

Gurov V.S. and Muradyan, A.G.

"Crystal Iriods in Long Distance Wire Devices." (Kristallicheskiye Iriody v Apparature provodnoi svyazi.) M.Svyaz'izdat, 1955. 52 Str.

PHASE I BOOK EXPLOITATION

1033

Gurov, Vadim Sergeyevich

Poluprovodniki v tekhnike i v bytu (Semiconductors in Industry and
Everyday Use) [Moscow] Moskovskiy rabochiy, 1958. 141 p. 24,000
copies printed.

Gen. Ed.: Gladkova, K., Engineer, Laureate of the Stalin Prize; Ed.:
Stolyarov, N.; Tech. Ed.: Lil'ye, A.

PURPOSE: The book is intended for radio amateurs, technicians and read-
ers with a general technical knowledge.

COVERAGE: The book is an attempt to explain in a popular way the basic
physical and electrical principles of semiconductor performance and
to report on the recent development and present state of this field.
No personalities are mentioned. There are 10 Soviet references.

Card 1/3

· Semiconductors in Industry and Everyday Use	1033
TABLE OF CONTENTS:	
Introduction	3
Brief Explanation of the Structure of Matter	7
The Mystery of Electric Conductivity in Semiconductors	25
Semiconductor Rectifiers	44
Amplifiers of Electric Oscillations	53
Thermo-electricity	70
Semiconductor Thermistors	75
Thermo-electric Generator	82
Card 2/3	

Semiconductors in Industry and Everyday Use	1033
Photoelectric Phenomena	91
Basic Applications of Photocells and Photoresistors	106
Application of Luminescence Phenomena	115
Piezoelectric Transducers	126
Applications of the Near Future	130
AVAILABLE: Library of Congress	

Card 3/3

JP/sfm
1-6-59

VASIL'YEV, S.A.; GUROV, V.S.; DAVYDOV, G.B.; ZARIN, S.A.; ZAYONCHKOVSKIY, Ye.A.; IL'INA, L.D.; KIRILLOV, Ye.V.; LISHAY, K.P.; MILEVSKIY, Yu.S.; MIKHAYLOV, M.I.; NIKOL'SKIY, K.K.; PUKHAL'SKIY, A.Ch.; PUKHAL'SKAYA, N.N.; RABINOVICH, M.B.; SHVEDSKIY, S.A.; KONDRASHINA, N.M., red.; KARABILOVA, S.F., tekhn.red.

[Recommendations of international consultative committees on telephony and telegraphy] Rekomendatsii mezhdunarodnykh konsul'tativnykh komitetov po telefonii i telegrafii. Moskva, Gos.izd-vo lit-ry po voprosam svyazi i radio, 1959. 335 p. (MIRA 13:3)

1. Tsentral'nyy nauchno-issledovatel'skiy institut svyazi Ministerstva svyazi SSSR (for all except Kondrashina, Karabilova).
(Telephone) (Telegraph)

GUR'OV, V.S.; YETRUKHIN, N.N.; RABINONOVICH, M.B.; TARAKANOVA, M.S.,
otv. red.; SVERDLOVA, I.S., red.; SHEFER, G.I., tekhn. red.

[Voice-frequency telegraphy systems] Sistemy tonal'nogo tele-
grafirovaniia; informatsionnyi sbornik. Moskva, Sviaz'izdat,
1962. 205 p. (MIRA 15:7)

1. Tsentral'nyy nauchno-issledovatel'skiy institut svyaz' Mi-
nisterstva svyazi SSSR (for Gurov, Yetrukin, Rabinovich'.
(Telegraph)

L 57874-63 EWT(d)/FSS-2/EEC-4/EEC(t) Pn-4/Pp-4/Pac-4
ACCESSION NR: AP5016723

UR/0286/65/000/010/0041/0041
621.315.052.7

47
46
B

AUTHOR: Berkman, N. A.; Gontar', V. M.; Gurov, V. S.; Darova, P. I.; Yetruchin,
N. N.; Zlotarev, Ya. M.; Zrazhevskiy, S. P.; Kopp, V. M.; Pasechnik, N. D.;
Ponomarenko, V. A.; Pugach, A. B.; Raykin, P. S.; Sergeev, I. V.

TITLE: System for measuring the duration and number of interruptions in a communi-
cation channel. Class 21, No. 171023

SOURCE: Byulleten' izobreteniy i tovarnykh znakov, no. 10, 1965, 41

TOPIC TAGS: noise measurement, frequency meter, communication channel, pulse meter

ABSTRACT: The proposed measuring device converts the spectrum of the investigated
pilot (measuring) frequency to a region of higher frequencies and uses a filter to
separate the side band containing information on the signal envelope. Provision is
made for simultaneous analysis of pulse noise and decline in the level of the pilot
frequency with respect to voltage and duration. Information on interruption time
is transmitted in the form of quantized pulse packets to a measuring circuit con-
sisting of flip-flops, AND gates, and registers. Orig. art. has: 1 figure. [DW]

Card 1/2

L 57874-65

ACCESSION NR: AP5016723

ASSOCIATION: Klyevskoye otdeleniye Tsentral'nogo nauchno-issledovatel'skogo
instituta svyazi Ministerstva svyazi SSSR (Kiev Department of the Central Scientific
Research Institute of Communications of the Ministry of Communications, SSSR)

SUBMITTED: 10Nov63

ENCL: 00

SUB CODE: EC

NO REF SOV: 000

OTHER: 000

ATD PRESS: 4038

Card

2/2

GUROV, Vadim Sergeevich; YARTSEV, N., red.

[Semiconductors in technology and everyday life] Polu-
provodniki v tekhnike i v bytu. Izd.2., perer. Mo-
skva, Mosk. rabochii, 1964. 197 p. (MIRA 18:3)

L 38148-65 EWT(d)/FSS-2/SEC(t)/EEC-4 Pn-4/1p-4/Pac-4
AM5005609 BOOK EXPLOITATION

UR/

41

37

1547

Gurov, Vadim Sergeyevich; Yemel'yanov, Gennadiy Aleksseyevich; Yetrukhin, Nikolay
Nikiforovich; Bazilevich, Yevgeniy Vladimirovich

Foundations of data transmission by wire communication channels (Osnovy peredachi
dannykh po provodnykh kanalakh svyazi) Moscow, Izd-vo "Svyaz", 1966. 310 p.
illus., biblio. Errata slip inserted. 12,000 copies printed. Managing
editor: P. N. Petrovskiy; Editor: Ye. V. Komarova; Technical editor: S. H.
Korotkova; Proofreaders: L. A. Dlugach.

TCPID TAGS: communication channel; communication coding; communication anti-jam;
data transmission; binary signal

PURPOSE AND COVERAGE: This book is a textbook for students at electrical-engineering
communications institutes. It may be of use also to engineers and technicians
specializing in the field of data transmission. The fundamentals of the
theory of transmitting pulsed signals along communications channels, the fundamen-
tals of protecting the secrecy of transmitted information against intercepts and
information tampering, the construction of data-transmission channels and their

Card 1/3

L 33140-65
AV5006609

2
cuits are presented. The basic content of the book was presented by the Department of Telephone-Telegraph Communications at MEIS in the 1963-64 academic year. The authors express their gratitude to B. V. Sinil'shchikov and B. N. Petrovskiy. The book has been authorized as a textbook by the Ministry of Communications of the USSR.

TABLE OF CONTENTS:

Foreword - -	3
Introduction - -	5
Ch. 1. Fundamental concepts - -	11
Ch. 2. Special characteristics of spectra and of transient processes in the transmission of binary signals - -	41
Ch. 3. Distortion of pulses - -	94
Ch. 4. Methods of transmission and probability of error in a binary channel - -	127
Ch. 5. Interference-free codes - -	155
Ch. 6. Systems for increasing the reliability of data transmission - -	197
Ch. 7. Registration, phasing, and regeneration of pulses - -	214

Card 2/3

L 38140-05
AM5006609

0

Ch. 8. Communications channels for data transmission -- 246
Ch. 9. Examples of apparatus and circuits for data transmission -- 265
Literature -- 306

SUB CODE: EC

SUBMITTED: 26Oct64

NR REF SOV: 350

OTHER: 011

Card 3/3