

LOWINGER, S. 1947

(Med. Dept. "C" of the Jewish Hospl. of Budapest)

"The Tumour-Like Behaviour of Leukemia."

Orvosok Lapja, Budapest, 1947, 3/51(2152-2154)
Abst: Exc. Med. V. Vol. 11, No. 12, 918

RUSEZNYAK I., LOWINGER S. & LAJTHA L. First Medical Clinic of the Peter Pazmany University, Budapest The factor in pernicious serum which inhibits the maturation of red blood cells Hungarica Acta Medica 1948, 1/1 (9-20) Tables ?

The authors cultured human bone marrow in Gey's solution. Folic acid has a direct cell-maturing effect, shown by the diminishing number of megaloblasts. On a medium containing placental serum, pernicious bone marrow explantate shown spontaneous maturation of red blood cells. Serum of healthy adults has the same effect. The serum of pernicious anaemia patients contains a factor inhibiting the maturation of red blood cells, the effect of which depends on the concentration. The diminution of the number of megaloblasts is much less pronounced in concentrated pernicious anaemia serum. Most of the megaloblasts do not form megalocytes, but develop further into macro- or normoblasts. The direct effect of folic acid is also observable in this serum, and likewise the direct action of liver extracts. In remission, the serum of the patients behaves much like that of normal individuals. There are two possibilities in the pathogenesis of pernicious anaemia: (a) The presence of a substance (toxin?) which prevents the maturation of red blood cells, with an insufficient amount of anti-anaemic factor to counterbalance it; (b) in consequence of a decrease in the anti-anaemic factor present in every serum, the inhibiting effect of metabolic products poisonous to cell activity predominates.

Balint - Budapest (Sec. V)

SO: Physiology Biochemistry and Pharmacology. Section II, Vol. 2, No. 9.

LOWINGER, S.; KRASZNAI, I.; SUMEGI, I.

Antoagglutination in splenomegalic cirrhosis. *Magy. belorv. arch.*
5 no.1:2-6 Mar 1952. (CIML 25:4)

1. Doctors; Lowinger, deceased, 2. Internal Department C (Head Physician --Prof. Dr. Simon Lowinger, deceased), Peterfy Sandor-utcai Hospital, Hungarian State Railroad Hospital, and BBI Prosectorium (Prof. Dr. Istvan Sumegi).

LOWINGER, S.

Blood transfusion in internal medicine. Orv. hetil., Budap. 93 no.3:
79-83 20 Jan 52. (CIML 21:5)

1. Deceased.

LOWINGER = A, S.

DENES, Z.; LOWINGER, S.

Detection of occult hemorrhage. Orv. hetil. 94 no. 45:1254 8 Nov 1953.
(CIML 25:5)

1. Doctors. 2. Hospital Ward of MIOI Asylum (Director - Head Physician
-- Dr. Istvan Weiss).

LOWY, A.; BELL, H., ing.

Savings realized through modernizing some shedding harness
mechanisms of cotton weaving looms. Ind text Rum 14 no.8:
353-356 Ag'63

GURBANSKI, Marjan; LONKIS, Lech

Effect of the ergot inhibitor (*Claviceps purpurea* L.) on the tobacco mosaic virus (TMV). *Acta microbiol. Pol.* 13 no.2:169-175 '64.

1. From the Department of Plant Physiology, the University, Lodz.

C.A.

9

Light metal alloy. Frigyes, Löwy. Hung. 134,271.
Apr. 1, 1948. To metallic Al is added 0.3% Fe, 1.0% Mg,
5.8% Cu, 0.5% Mn, 0.7% Si, and 0.2% Na as follows:
Al is heated to 1100°, Fe, Mn, Cu, and Si are added, then
cooled to 700°, Mg and Na are added under exclusion of air,
and the alloy is cast. The blocks are once more heated to
450° after 12 hrs. and chilled by quick cooling. The sp. gr.
of this alloy was 2.76, the solidity of the cast blocks 39
and the chilled blocks 58. István Finály

OTTO, Tadeusz Jan; LOWY, Krystyna

Biochemical changes in the blood in general anesthesia. Pol.
przeł. chir. 35 no.12:1337-1342 'D'63

1. Z II Kliniki Chirurgicznej AM w Warszawie; kierownik: prof.
dr. Z.Lapinski.

*

OTTO, Tadeusz; LATAWIEC, Konrad; LOWY, Krystyna; MANICKI, Jerzy

Experimental studies on early diagnosis of thrombosis. Polski
tygod. lek. 14 no.39: 28 Sept 59.

1. (Z II Kliniki Chirurgicznej A. M. w Warszawie; kierownik: prof. dr
med. Jan Mossakowski).

(THROMBOPHLEBITIS, exper.) (17-KETOSTEROIDS, urine)
(EOSINOPHIL COUNT)

LATAWIEC, Konrad; OTTO, Tadeusz; ~~LOWY~~, Krystyna; MANICKI, Jerzy

Experimental studies on early diagnosis of thrombosis. II Clinical observations. Polski tygod. lek. 15 no.27:1017-1020 4 J1 '60.

1. Z II Kliniki Chirurgicznej A.M. w Warszawie; kierownik Kliniki:
prof. dr med. Jan Mossakowski
(THROMBOEMBOLISM diag)
(EOSINOPHILS)
(17-KETOSTEROIDS urine)

CZECHOSLOVAKIA

JEDLICKA, R., MD, anesthetist at the District Hospital (Oblastni nemocnice), Prague-Motol, O. LOWY, MD, director; and BLAHOS, J., Research Institute of Endocrinology (Vyzkumny ustav endokrinologicky), Prague, Docent Dr K. SILINK.

"Selection and Management of Anesthesia, Preoperative and Postoperative Care in Hyperinsulinism"

Prague, Casopis Lekarů Ceskych, Vol CII, No 24, June 63, pp 654-658.

Abstract [Authors' English summary]: An account of preparations for treatment, and preoperative and postoperative care of patients with hyperinsulinism. The exceptional character of these cases is the ready development of hypoglycaemic conditions and previous prolonged massive hormonal treatment. The need is emphasized of preliminary glucose treatment. Recommended is the ether anesthesia combined with nitrous oxide and relaxant drugs. Attention is drawn to

1/2

VISHNEVAKAYA, S.M.; SHEVCHUK, M.K.; KRAMARENKO, D.P.; KHALIBOVA, B.I.;
MUKVOZ, L.G.; GUREVICH, Ye.P.; KORNIYENKO, Ye.I.; POTEYEVA, N.A.;
PISARENKO, Ye.I.; LOY, D.D.; KORABLEV, N.G.; GELLER, I.Yu.

Epidemiology and prevention of helminth infections in the zone
affected by the construction of Kakhovska reservoir and ghydro-
electric station and the Upper-Ingulets Canal. Med.paraz. i paraz.
bol. 25 no.2:121-127 Ap-Je '56. (MLBA 9:8)

1. Iz gel'mintologicheskogo otdeleniya Instituta malyarii i meditsin-
skoy parazitologii imeni prof. V.Ya.Rubashkina Ministerstva zdravo-
okhraneniya Ukrainskoy SSR (dir. instituta I.A.Demchenko, zav.
otdeleniyem - prof. Ye.S.Shul'man) i Dnepropetrovskoy Zaporozhskoy,
Khersonskoy, Nikolayevskoy oblastnykh sanitarno-epidemiologicheskikh
stantsiy.

(HELMINTH INFECTIONS, prev. and control
in Russia, eff. of reservoir & canal constructions)

LOY, I.P. (Borislav)

Use of ozocerite in lumbosacral radiculitis. Vrach. delo no.2:
131-132. F '61. (MIRA 14:3)
(OZOCERITE) (NERVES, SPINAL--DISEASES)

LOY, I. P.

Treatment by combined blockade of diseases of the peripheral nervous system. Vrach. delo no.7:89-91 J1 '62.
(MIRA 15:7)

1. Bol'nitsa neftyanikov, Borislav, L'vovskoy obl.

(NERVES, PERIPHERAL DISEASES)
(AUTONOMIC DRUGS)

LOY, N.I.; KRECHKOVSKIY, V.P.; AL'SHEVSKIY, L.Ye., redaktor; PETROVA,
N.S., tekhnicheskiy redaktor.

[Generalized methods of pipe rolling used by the Chelyabinsk
pipe factory] Obobshchennye metody truda truboprekatchikov
cheliabinskogo trubnogo zavoda. Moskva, Gos.nauchno-tekhn.isd-vo
lit-ry po chernoi i tsvetnoi metallurgii, 1953, 31 p. [Microfilm]
(Chelyabinsk--Pipe) (MLRA 9:4)

LOY, N.I.

Conducting courses on advanced techniques at the plant. Metallurg
no.6:37-38 Je '56. (MIRA 9:9)

1. Starshiy inzhener-issledovatel' truboprekatnogo tsekha no.1.
(Chelyabinsk--Rolling mills)(Technical education)

LOY, T. D., KORABLEV, N. G., GELLER, I. YU., VISHNEVSKAYA, S. M.,
SHEVCHUK, M. K., EVALIBOVA, E. I., MUDVOZ, L. G., KORNEYENKO, E. I. and
BEZFAMILNAYA, P. S.

"The Epidemiology and Prophylaxis of Helminthiasis in the Zone Af-
fecting the Construction of the Kakhovka Hydroelectric Power Station,
the Water Reservoir, and the Verkhne-Ingulets Canal."

Tenth Conference on Parasitological Problems and Diseases with Natural
Reservoirs, 22-29 October 1959, Vol. II, Publishing House of Academy of
Sciences, USSR, Moscow-Leningrad, 1959.

LOJA, M.V.

LOJA, M.V.

Relation between the combined scattering of light and the Kerr effect.
Latvijas PSR Zinātņu Akad. Vēstis, No.7, 97-102 '49. (MIRA 4:1)
(CA 47 no.22:11990 '53)

LOYA, M. F.

LOVA, M. V.

Line breadth of lines in combination scattering of light by a vibrating rotating molecule and the "breadth" of the Rayleigh line. Latvijas PSR Zinātņu Akad. Vēstis, No.5, 115-19 '50. (MIRA 4:3)
(CA 47 no.22:11990 '53)

53

S/130/63/000/004/002/004
A006/A101

AUTHORS: Loyberg, I. Ya., Chief of the charge department, Ushakov, S. T.,
Engineer of TsZL

TITLE: Stainless steel melting in high-capacity electric furnaces

PERIODICAL: Metallurg, no. 4, 1963, 19 - 21

TEXT: Information is given on the operation of high-capacity furnaces in the melting of stainless steel grades 2-4X13 (2-4Kh13), 1X18H9T (1Kh18N9T) and 1X18H10T (1Kh18N10T). The loading of stainless steel waste is performed with 14 m³ capacity containers, equipped with tilting devices. Special hooks are mounted on the traverse beams of lifting cranes for the overturning of the container. The ferroalloys are supplied to the shop on special platforms equipped with dismountable 3 m³ containers holding up to 10 tons of ferroalloys. The charge consists of 60 - 70% wastes (Cr-Ni steels, transformer steels, or soft iron). The Cr content in the charge is calculated to be 12.0%, Ni 0.5% and Si 0.7 - 0.8% over the lower limit. Oxygen blast in the pool is performed with two 3/4 inch pipes with chamotte lining. Oxygen consumption 35 - 40 m³/min;

Card 1/2

Stainless steel melting in high-capacity...

s/130/63/000/004/002/004
A006/A101

pressure 8 - 11 atm; duration 40 min to 1 hour. The C content after blast is 0.06 - 0.08%, C loss per blast is 2.0 - 3.0%. Cooling down of the pool and the addition of ferroalloys is performed as follows: after oxygen blast, silico-manganese and the basic ferrochrome amount are added so that not more than 1.5 tons will remain for metal finishing for Cr. Steel wastes (2.0 tons) are charged upon the ferrochrome. Crushed silicochrome or 75%-ferrosilicon is added for de-oxidation of the slag. Ferro-silicon powder is poured onto the free slag surface. The total Si consumption is 9 kg per 1 ton of steel. Time of operation 15 - 20 min. The furnace is switched in to 326 - 300 v; the power is reduced after melting of the ferrochrome and production of liquid slag. The slag and the Fe-Si should be thoroughly mixed. After removal of the deoxidized slag, the metal is brought to the required chemical analysis; lime and fluorspar slag is produced and deoxidized with Al powder (1.0 kg per 1 ton). Ferro-titanium is then charged to 1.10 - 1.15% without taking into account the loss. Titanium loss is 45 - 50%. Metal temperature prior to its addition is 1,580 - 1,600°C, and 1,530 - 1,560°C in the ladle. The steel is teemed into molds for 4.5 and 6.2 t ingots. The quality of the steel is satisfactory and not below that of steel melted in small-capacity furnaces. There are 3 figures.

ASSOCIATION: TsZL

Card 2/2

PANASHCHENKO, I.P., dots.; CHUNTULOV, V.T., dots.; POGREBINSKIY, A.P.,
prof.; SPATAR, N.G., dots.; LAUTA, S.P., dots.; USTINOVA, L.A.,
dots.; KRIVEN', P.V., prof.; FILIPPOV, V.I., dots.; GOLUBEV, V.A.,
kand. ekon. nauk; DZYUBKO, I.S., dots.; GRIGOR'YEV, A.N., dots.;
ZATSEPILIN, V.G., dots.; TERESHCHENKO, V.F.; LOYBERG, M.Ya.,
kand. ist. nauk; ORLIK, Ye.L., red.; KHOKHANOVSKAYA, T.I.,
tekhn. red.

[Economic history of foreign countries] Ekonomicheskaya istoriya
zarubezhnykh stran; kurs lektsii. Kiev, Izd-vo Kievskogo univ.
Pt.2.[From the 1870's to the present time] Ot 70-kh godov XIX v.
do nastoiashchego vremeni. 1961. 387 p. (MIRA 15:11)

1. Prepodavateli kafedr politicheskoy ekonomii i istorii narodno-
go khozyaystva Kiyevskogo instituta narodnogo khozyaystva (for
all except Orlik, Khokhanovskaya). (Economic history)

Chemical Abstracts
May 25, 1954
Glass, Clay Products

(2)

The influence of thiamine and nicotinic acid on the cholesterol in the blood of rabbits. G. I. Lohman *Med. Inst., Odessa, Ukrain. Biokhim. Zhur.* 24, 10-24 (in Russian, 24-5) (1952).—Thirty-six rabbits were fed ascorbic acid (I), thiamine (II), nicotinic acid (III), and (or) KI; the cholesterol (IV) in the blood was detd. every 7-14 days. The expts. lasted 84 days. The dosage used was 1 mg. II, 5 mg. III, and 5 and 20 mg. KI per kg. of weight. I, II, III, and KI have a normalizing influence on hypercholesteremia, i.e., they lower the IV. I and II show the strongest influence, KI and III have little influence. I, II, and KI

show a prophylactic action, i.e., they diminish the incidence of atherosclerosis in the living animal. This is not true for III. II and KI lower the IV in the blood of healthy rabbits which have not been loaded with IV. III does not show any influence on the IV in the blood. Werner Jacobson

GUBIN, V.N., inzh.; LOYCHENKO, V.I., mashinist-instruktor

Wheel slip current relay. Elek. 1 tepl.tiaga 2 no.4:22-23
Ap '58. (MIRA 12:3)
(Electric relays) (Electric locomotives)

LOYCHIKOV, V., master sporta

Under a lucky star. Kryl.rod. 13 no.11:3 N '62. (MIRA 15:12)

1. Insteuktor-letchik Moskovskogo aerokluba.
(Aerial sports)

LOYDA, L.: SCHWARZ, R.

"Komorni Hurka Hill and the interference of human activity"

Ochrana Prirody. Praha, Czechoslovakia. Vol. 10, no. 6, July 1955

Monthly list of East European Accessions (EEAI), Vol. 8, No. 6, Jun 59, LC, Unclas

LOYDA, L.

Development of the Caspian Sea during the Quaternary Period. p. 219.
(Sbornik, Vol. 61, no. 3, 1956, Praha, Czechoslovakia)

SO: Monthly List of East European Accessions (EEAL) LC, Vol. 6, no. 6, June 1957, Uncl.

LOYDA, Ludvik

General geographical map for schools. Sbor zem 68 no.1:114-116 '63.

LOYDA, Ludvik, dr.

Problem of Tertiary rifts. Sbor zem 69 no.1:1-6 '64.

1. Research Institute of Geodesy, Topography and Cartography,
Prague 1, Drazickeho namesti 7.

LOYDA, M.

"Mercury elements. p. 107."

SDELOVACI TECHNIKA. Praha, Czechoslovakia. Vol. 7, no. 3, Mar. 1959.

Monthly list of East European Accessions (EEAI), IC, Vol. 8, No. 6, Jun 59, Unclas.

LOIDINA, G. I.

RYZHKOV, V. L., TARASEVICH, L. M., and LOIDINA, G. I. "On the Action of Strong Sodium Nucleate Solutions on the Virus of Tobacco Mosaic Diseases and Albumin," Doklady Akademii Nauk SSSR, vol. 74, 1950, pp. 1023-1024. 511 P444A

SO: SIRA SI-90-53, 15 Dec. 1953

CA

11-D

Virus sensitivity and tobacco-mosaic virus accumulation on leaf at various growth stages. V. I. Ryshkov and G. I. Lokina (Microbiol. Inst., Acad. Sci., Moscow). *Mikrobiologiya* 20, 519-24 (1951).—Virus sensitivity of *Nicotiana glauca* varies with height on the plant. Topping and treatment with 2,4-D are helpful. On the plant sensitivity varies with leaf size, age, and general condition. Of the plant old leaves become more sensitive than young ones. Sensitivity has no apparent relation to total or protein N or to total P. Leaves without nourishment (off the plant) appear as sensitive as well-nourished leaves on the plant.
Julian P. Smith

LAB PLANT VIRUSES, INMI

LOYDINA, G. I.

234T1

USSR/Biology - Microbiology, Plant Diseases 1 Sep 52

"Interaction of Albumin and the Virus of Tobacco Mosaic Disease With Adenylic Acid and Nucleic Acids," V. L. Ryzhkov, Contr Mem, Acad Sci USSR, G. I. Loydina, Inst of Microbiol, Acad Sci USSR
"Dok Ak Nauk SSSR" Vol 86, No 1, pp 181-184

Describes expts which show that yeast nucleic acid and thymonucleic acid suppress the activity of tobacco mosaic disease virus, while adenylic acid under certain conditions increases

234T1

that activity. To study the physicochem relationships which govern the biol phenomena in question, carried out expts on the interaction between egg albumin and nucleic acids. Established that the acids act on the virus and do not affect the sensitivity of the tobacco plant to the virus.

234T1

LOYDINA, G. I.

Chemical Abstracts
May 25, 1954
Biological Chemistry

3
Interaction of morax disease virus of tobacco with myosin and actin. V. L. Ryzhikov and G. I. Loydina (Inst. Microbiol., Acad. Sci. U.S.S.R., Moscow). *Doklady Akad. Nauk S.S.S.R.* 92, 851-3(1953); cf. *C.A.* 42, 8271a. - Exptn. by diln. with H₂O of a soln. contg. the virus and myosin yields a ppt. which carries the virus activity in a complex with myosin. The complex failed to form stable threads, but treatment of the complex with adenosinetriphosphate (ATP) led to contraction similar to that of actomyosin. If myosin is treated with the virus, then with actin, and the mixt. is dild. only some 40% virus activity remains in the soln. above the resulting ppt.; reversal of the order of mixing gave the same result. Actin alone was found to be a powerful repressor of the virus in soln. Unpolymerized actin G has action similar to that of polymerized actin F. The repression of activity is strongest at pH 4.8, which is close to the actin isoelec. point. Increased concn. of KCl in the supporting soln. from 0.1 to 0.5M leads to progressive decompn. of virus-actin complex. No increase of viscosity occurs during formation of virus complex with either actin F or myosin, although in the latter case the results varied.

G. M. Kosolapoff

USSR/ ^{LOYDINA, G. I.} Biology - Microbiology

Card 1/1 Pub. 22 - 33/40

Authors : Ryzhkov, V. L., Memb. Corres. of Acad. of Sc. USSR.; and Loydina, G. I.

Title : Spreading of the mosaic virus disease in isolated tobacco leaves

Periodical : Dok. AN SSSR 99/3, 459-462, Nov 21, 1954

Abstract : Material, pertaining to the relation between the confined and free mosaic disease viruses during their multiplication in tobacco leaves, is published. The method of determining the titer of the virus is described. The relation between the free and confined virus and leaf fibers is explained. Ten references: 5-USA; 3-USSR; 1-English and 1-Italian (1940-1954). Graphs.

Institution: Academy of Sciences USSR, Institute of Microbiology

Submitted: September 2, 1954

LOYDINA, G.I.

Studying the interrelation between respiration and the accumulation of the tobacco mosaic virus in isolated leaves. *Izv. AN SSSR. Ser. biol.* no.2:272-278 *Mr-Apr '60.* (MIRA 13:6)

1. Institute of Microbiology, Academy of Sciences of the U.S.S.R., Moscow.
(VIRUSES) (PLANTS--RESPIRATION)

RYZHKOVA, V.L.; TEREKHOVA, N.A.; ~~LOYDINA~~, G.I.

Causes of the resistance of the Ambalema tobacco variety to the mosaic virus. Dokl. AN SSSR 134 no.6:1453-1456 O '60. (MIRA 13:10)

1. Chlen-korrespondent AN SSSR (for Ryzhkov). (TOBACCO—DISEASE AND PEST RESISTANCE) (MOSAIC DISEASE)

RYZHKOV, V.I.; LOYDINA, G.I.

Interaction of the nucleic acid of the virus of tobacco mosaic
disease with plastids and cell walls of plants. Vop. virus. 7
no. 1:108-110 Ja-F '61. (MIRA 14:4)

1. Institut mikrobiologii AN SSSR, Moskva.
(NUCLEIC ACID) (VIRUSES DISEASES OF PLANTS)

Z/031/62/010/012/002/002
D006/D102

AUTHORS: Červený, Ladislav, Engineer, Loydová, Božena, and Solarík,
Pavel

TITLE: Preservative wax for corrosion protection of products in the
tropics

PERIODICAL: Strojářská výroba, no. 12, 1962, 606-607

TEXT: Problems of corrosion protection of products during their
transportation in the tropics are briefly dealt with. Paraffin-polyethylene-
ceresine base waxes used so far failed to provide satisfactory corrosion
protection in the tropics mainly due to their low drop point. A new poly-
ethylene-modified, paraffin-base protective wax, containing corrosion-inhi-
biting and hydrophobic additives, is produced by the Východočeské chemické
závody, n.p., závod Synthesia (East-Bohemian Chemical Works, n.p., Synthesia
Branch Plant) in Uhřetěves. Marketed under the trade name SILIVOSK, the
product contains silicon oil as hydrophobic additive. Its drop point is
100°C and it forms a solid film of wax consistency on the product. It is

Card 1/2

Preservative wax for corrosion ...

Z/031/62/010/012/002/002
D006/D102

suitable for all kinds of metal products regardless of their surface finish. Dissolved in lacquer-grade gasoline, the preservative can be applied at room temperature by spray gun, brush or dipping. The protective film can be removed by conventional methods using a suitable solvent. Excellent results were obtained with this preservative both in laboratory and field tests. Results of long-term tests will be published in a future issue of this periodical. There are 2 figures and 1 table.

ASSOCIATION: Státní výzkumný ústav ochrany materiálu G.V. Akimova (G.V. Akimov State Research Institute of Material Protection), Prague

Card 2/2

CERVENY, Ladislav, inz.; LOYDOVA, Bozenna; SOLARIK, Pavel

Preservation wax for protection of products from corrosion in the tropics. Stroj vyr 10 no.12:606-607 '62.

1. Statni vyzkumny ustav ochrany materialu G.V. Akimova, Praha.

KORZHENEVSKIY, I.B.; LOYENKO, A.A.; CHEREVKOV, A.

Development of erosion-caused landslides on the south shore of the
Crimea. Razved.i okh.nedr 28 no.4:50-51 Ap '62. (MIRA 15:4)

1. Krymskaya opolznevaya gidrogeologicheskaya stantsiya.
(Crimea--Landslides)

KORZHENEVSKIY, I.B. (Yalta); LOYENKO, A.A. (Yalta); CHEREVKOV, V.A.
(Yalta)

Landslides of the shore of southern Crimea. Priroda 52 no.3:69
'63. (MIRA 16:4)
(Crimea--Landslides)

KORZHENEVSKIY, I.B.; LOYENKO, A.A.; CHEREVKOV, V.A.

Determining the laying of upper slopes of mountain roads. Avt.dor.
26 no.9:23-24 S '63. (MIRA 16:10)

KORZHENEVSKIY, I.B.; LOYENKO, A.A.; CHEREVKOV, V.A.

New data on landslide phenomena in the Crimean southern coast.
Sov.geol. 6 no.12:138-142 D '63. (MIRA 16:12)

1. Krymskaya opolznevaya i gidrogeologicheskaya stantsiya.

VLADIMIRSKIY, Boris Leonidovich; LEVIL, Georgiy Petrovich;
LOYEV, Yefim Grigor'yevich; MARUSHCHAK, Vasilii Yefimovich;
ULASIK, Vasilii Lavrent'yevich; MIRCETS, Ye.M., red.;
BALYASHAYA, A.Ye., red.

[Practical laboratory work in general electrical engineering]
Laboratornyi praktikum po obshchei elektrotekhnike.
Kiev, Izd-vo Kievskogo univ., 1964. 184 p. (MIRA 18:2)

LOYEVSKIY, I.I.; KLIMENKO, Ye.V.

Construction of blast furnaces in Krivoy Rog. Prom. stroi.
40 [i.e. 41] no.6:2-6 Je '63. (MIRA 16:10)

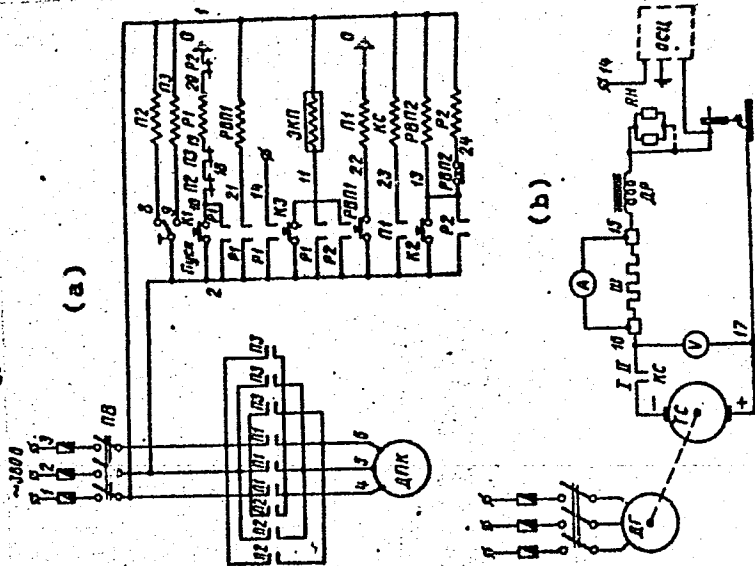
L 13086-66 EWT(d)/EWT(m)/EWP(w)/EWA(d)/EWP(v)/T/EWP(t)/EWP(k)/EWP(h)/EWP(z)/
ACC NR: AP6000838 EWP(b)/ SOURCE CODE: UR/0130/65/000/012/0030/0032
EWP(1)/EWA(c) MJW/JD/HM/HM
AUTHOR: Gostev, V. P.; Okishev, L. V.; Loyferman, H. A.; Zhupina, V. V.
ORG: Izhevsk Metallurgical Plant (Izhevskiy metallurgicheskiy zavod)
TITLE: Arc welding in an atmosphere of purifying gas
SOURCE: Metallurg, no. 12, 1965, 30-32
TOPIC TAGS: arc welding, welding equipment, argon, inert gas welding,
rolling mill, metal forming
ABSTRACT: A semiautomatic welding rig designed to eliminate edge trim-
ming waste in rolling mills is described. A block diagram of the rig
is shown in fig. 1. The rig was used to weld Kh18N9, Kh18N9T, Kh18N10T
stainless steels and alloys of the permalloy class. The ends from 10-
-15 separate strips were welded into rolls. The thickness of the weld-
ed strip ranged from 0.9-3.0 mm. Tabular data are given for various al-
loys in which recommended welding current ranges, voltage, carriage
speed and volumetric flow rates (inert gas) were included. For stain-
less steels (1.5 mm thickness) the conditions were very similar--cur-
rent from 100 to 105 amps, 65 volts, 12 to 14 m/min for the carriage
UDC: 621.771.25

Card 1/3

L 13086-66

ACC NR: AP6000838

Fig. 1. Welding assembly: a--general view; b--electric diagram of the equipment; V--dc voltmeter; A--dc ammeter; DP--choke coil; DPK--carriage feed mechanism; PR--electric fuse; T--toggle switch; KC--contactor; EPK--electropneumatic valve; Sh--shunt; K3--"test gas" button; K2--"stop" button; K1--"start" button; RBP1 and RBP2--time relays; PB--switch; R1, R2 and R3--intermediate relays.



speed and 9 to 13 l/min for the inert gas flow rate. Argon was used for

Card 2/3

L 13086-66

ACC NR: AP6000838

its purifying effect on the base metal and because it promoted arc stability. The mechanical properties of the welded sections compared favorably with the unwelded portions; thus maximum backtension and rolling force could be used in subsequent rolling without breakage. Orig. art. has: 1 figure, 1 table.

SUB CODE: 13,11/ SUBM DATE: 00/ ORIG REF: 000/ OTH REF: 000

DR

Card 3/3

LOYKO, A.I., kand.tekhn.nauk

Experimental investigation of torsional vibrations occurring during the counterboring of steel. Izv.vys.ucheb.zav.; mashinostr. no.11: 164-169 '61. (MIRA 14:12)

1. Bryanskiy institut transportnogo mashinostroyeniya.
(Drilling and boring machinery--Vibration)

TERENT'YEV, V.M.; TSAREVA, R.I.; LOYKO, A.N.

Effect of soil conditions on the chemical composition of barley
grain. Biol. Inst. biol. AN BSSR no.5:157-162 '60.

(MIRA 14:7)

(BARLEY) (PEAT SOILS) (GRAIN--ANALYSIS AND CHEMISTRY)

TERENT'YEV, V.M.; TSAREVA, R.I.; LOYKO, A.N.

Physiological relationships among individual shoots in the
barley plant. Biul. Inst. biol. AN BSSR no.5:163-180 '60.
(MIRA 14:7)

(BARLEY) (PLANTS, MOTION OF FLUIDS IN)

TERENT'YEV, V.M.; TSAREVA, R.I.; LOYKO, A.N.

Physiological relations between barley shoots of different age.
Biul. Inst. biol. AN BSSR no.6:142-150 '61. (MIRA 15:3)
(PLANTS--ASSIMILATION)
(BARLEY)

TERENT'YEV, V.M.; TSAREVA, R.I.; LOYKO, A.N.

Effect of lateral shoots on the feeding of the main stem of
the gramineae. Biul. Inst. biol. AN BSSR no.6:151-157 '61.
(MIRA 15:3)

(GRAMINEAE)
(PLANTS ~~AND~~ NUTRITION)

LOYKO, A.V.

Pseudoabdominal syndrome and esophago-aortal bleeding in complicated
esophagal traumas. Klin.khir. no.9:27-30 S '62. (MIRA 16:5)

1. Khirurgicheskoye otdeleniye (zav. - N.K. Makarenko) Oposhnyanskoy
rayonnoy bol'nitsy, Poltavskoy oblasti.
(ESOPHAGUS—WOUNDS AND INJURIES)

YELIN, A.; SEL'YAKOV, M.; VISKIN, S.; LOYKO, N.; BUKHGALTER, B.;
VORONKOV, I.; SPERANSKIY, N.

Improvement of planning in the meat industry. Mias. ind.
SSSR 32 no.4:33-37 '61. (MIRA 14:9)

1. Astrakhanskiy myasokombinat (for Yelin).
2. Kazgipromyas-
omolprom (for Selyakov).
3. Khar'kovskiy myasokombinat (for
Viskin).
4. Leninskiy myasokombinat (Kemerovskiy sovnarkhoz
(for Bukhgalter).
5. Novgorodskiy myasokombinat (for Voronkov).
6. Buryatskiy sovnarkhoz (for Speranskiy).
(Meat industry)

LOYKO, N.V.

Structure of adjacent classes of groups. Sib. mat. zhur. 3
no.1:79-86 Ja-F '62. (MIRA 15:3)
(Groups, Theory of)

LOYDIS, A-P.

(2) *See*

Meteorological Abst.
Vol. 4 No. 10
Oct. 1953
Part 1
General Meteorology

4.10-17 ✓
Loidis, A. P. and Khaniveskii, V. S., Nachal'naia
meteorologiya. [Elementary meteorology.]
Leningrad, Gidromet. Izdat.; 1939. 157 p. 92 figs.,
551.5(02)
tables. DWB--A simplified course, covering general
meteorology, useful for laymen and high school
students, with an unusually complete discussion of
of optical phenomena (pp. 122-141). Other
chapters concern radiation, soil temperature, air
temperature, water in the atmosphere, air currents,
acoustical and electrical phenomena, and synoptic
analysis and forecasting. Subject Headings:
1. Elementary meteorology 2. Textbooks.--A.A.

KORZHENEVSKIY, I.B.; LOENKO, A.A.; CHEREVKOV, V.A. (Yalta)

Fate of beaches of the southern Crimea. Priroda 50 no. 2:60
F '61. (MIRA 14:2)

(Crimea--Beaches)

KORZHENEVSKIY, I.V.; LOYENKO, A.A.; CHEREVKOV, V.A.; SUVOROV, A.S.

Control of landslides on mountain roads. Avt.dor. 24 no.4:13-15
. Ap '61. (MIRA 14:5)
(Road construction) (Landslides)

LOYETSKIY, M.A.

Characteristics of active areas of the photosphere and photo-
spheric impulses of solar activity in 1939-1951. TSir.Astron.
obs.L'viv.un. no.32:56-58 '55 (MIRA 13:10)
(Sun)

Loyetskiy, M. A.

USSR/Geophysics, General Division - Text, Reference, and Popular Scientific
Literature, L-6

Abst Journal: Referat Zhur - Fizika, No 12, 1956, 36022

Author: Loyetskiy, M. A.

Institution: None

Title: Catalog of Active Regions of the Sun's Photosphere

Original

Periodical: Tsirkular. Astron. observ. L'vovsk. un-ta, 1955, No 32, 26-55

Abstract: None

Card 1/1

LOYETSKIY, M. A.

USSR/Physics of the Atmosphere - Upper Layers of the Atmosphere. Ionosphere, M-6

Abst Journal: Referat Zhur - Fizika, No 12, 1956, 36218

Author: Loyetskiy, M. A.

Institution: None

Title: Characteristics of Active Regions of Photosphere and of Photospheric Pulses of Solar Activity in 1939-1951

Original

Periodical: Tsirkulyar. Astron. observ. L'vovsk. un-ta, 1955, No 32, 56-58

Abstract: None

Card 1/1

LOYEV, A.

USSR/ Electronics - Radio receivers

Card 1/1 : Pub. 89 - 16/29

Authors : Loyev, A.

Title : Automobile receivers A-5

Periodical : Radio 7, 29-32, July 1954

Abstract : The A-5 automobile 6-tube superheterodyne receiver is described. The receiver operates on one long-wave, one short-wave and three expanded short-wave bands. A detailed circuit diagram of the receiver, its general design and description of its component parts are featured, and its basic electrical parameters are given. Details on the receiver's amplification and AVC system, information on frequency-changer operation, type of loud-speaker and the power supply is also given. A special table is included containing specific data on coils and type of wires used in the windings. Diagrams (including one circuit diagram); illustrations.

Institution : ...

Submitted : ...

LOYEV, YE. G.

Loyev, Ye. G. "Initial self-excitation of synchronous generators with excitation from metal rectifiers," *Izvestiya Kiyevsk. politekhn. in-ta*, Vol VIII, 1948 (on cover: 1949), p. 31-34

SG: U-5241, 17 December 1953, (*Letopis'Zhurnal 'nykh Statey*, No. 26, 1949)

LOYEVSKIY, M. L., ROVENSKAYA, N. M., SHELU'GA, P. I., SHCHERBAKOVA, G. I.,
EM'YAKOVA, P. A., YARM-AGAYEVA, N. T., GALKINA, K. S., KOZLOVSKIY, V. S.

"Pneumoconiosis in workers engaged underground work
in coal mines, and means of its prophylaxis."

report submitted at the 13th All-Union Congress of Hygienists, Epidemiologists
and Infectionists, 1959.

SHUVALOV, A.; BABAYEV, Yu.; CHUMICHEV, V., naladchik-mekhanik; LOYFERMAN, A.; DVORKIN, M., rabochiy (derevnaya Sadovniki, Moskovskoy oblasti)

Innovators of the capital province. Prom.koop. 13 no.10:16-18
0 '59. (MIRA 13:2)

1. Predsedatel' pravleniya arteli "Emal'krasa," derevnaya Saburovo, Moskovskoy oblasti (for Shuvalov). 2. Tekhnoruk arteli invalidov im. XXX let Oktyabrya, g. Babushkin, Moskovskoy oblasti (for Babayev). 3. Artel' invalidov "Pobeda," g. Tushino, Moskovskoy oblasti (for Chumichev). 4. Zakroyshchik plastikata sportivnoy arteli, derevnaya Sadovniki, Moskovskoy oblasti (for Loyferman).

(Moscow Province--Manufactures--Technological innovations)

AID P - 5239

Subject : USSR/Aeronautics - maintenance
Card 1/1 Pub. 135 - 25/26
Author : Loyferman, P. G., Eng.-Lt. Col.
Title : On the durability of rubber products used in aircraft
Periodical : Vest. vozd. flota, 11, 88, N 1956
Abstract : The author suggests that various rubber products used in aircraft should be replaced by new ones during major overhauls.
Institution : None
Submitted : No date

DEMESHKO, L.G., nauchnyy sotrudnik; FURMAN, Ye.I., nauchnyy sotrudnik;
LOYGZAL'TS, A.I., nauchnyy sotrudnik; TIMOSHPOL'SKIY, M.N., re-
daktor; ~~ANDREYEV, S.P.,~~ tekhnicheskiy redaktor.

[Time norms for the repair of crane equipment] Normy vremeni na
remont kranovogo oborudovaniia. Khar'kov, Gos. nauchno-tekhn.
izd-vo lit-ry po chernoi i tsvetnoi metallurgii. Pt.2 [Special
cranes for steelsmelting and rolling shops; stripping cranes, pit
cranes and claw cranes] Spetsial'nye krany staleplavil'nykh i pro-
katnykh tsekhov; kran dlia razdevaniia slitkov, kolodtsevyi kran
i kran s lapami. 1954. 311 p. (MIRA 8:4)

1. Russia (1923- U.S.S.R.) Ministerstvo chernoy metallurgii.
(Cranes, derricks, etc.)

LOYKO, A.N.

Nature of the development of the root system of barley on
Peat soils. Biol.Inst.biol.AN BSSR no.3:146-150 '58.

(MIRA 13:7)

(ROOTS (BOTANY)) (BARLEY)

TERENT'YEV, V.M.; LOYKO, A.N.

Mechanical properties of root systems of cereal plants on Peat
soil as related to ledging of plants. Biul.Inst.biol.AN BSSR
no.3:151-156 '58. (MIRA 13:7)
(ROOTS (BOTANY)) (GRASSES)

LOYKO, N.V.

S-isomorphisms of mixed abelian groups of rank $r > 2$.

Mat. zap. Ural. mat. ob-va UrGu 4 no.1:57-59 '63.

(MIRA 17:9)

LOYKA, Svatopluk Dr

Coauthor, with Col Dr Josef KAZDA, Garrison Hospital In Olomouc, and Dr Radomir PEGRIM of Palacky University in Olomouc, of article "Gunshot Wound of the abdominal aorta in the area between the celiac and mesenteric arteries, healed by a two-sided anastomosis.
(VZL, Dec 54)

SO: Sum. 436, 30 March 1955

LOYKA, Svatopluk, MUDr (Alomouc, Albertova 5)

Problem of sudden and unexpected deaths in children. Lek.
listy 9 no.14:316-319 JI '54.

1. Z ustavu pro soudni lekarstvi FU v Olomouci, Prednosta:
Docent MUDr Adolf Rozmaric.

(DEATH, SUDDEN, in infant and child,

*analysis of 114 cases & interpretation of mors thymica)

Loyka S.

EXCERPTA MEDICA Sec 5 Vol 12/1 Gen Pathology Jan 59

91. CHANGES IN BLOOD VESSELS CAUSED BY COMBUSTION PRODUCTS OF TOBACCO - Cévní změny vyvolané spalnými produkty tabáku - *Loyka S.*, Opavský J., Mackerle S. and Malota H. Úst. Pro Soudní Lék. Lék. Fak. Palackého Univ. Olomouc - ACTA UNIV. PALACK. OLOMUCENSIS 1956, (157-162) illus. 6

Combustion products of tobacco were extracted from smoke and injected i. p. into rabbits for periods of 3 (1st group) and 6 (2nd group) months. In the 2nd group atheromatous lesions were observed macroscopically and microscopically which shows the possible role of tobacco smoke in the pathogenesis of atheromatosis.

Dvořáček - Olomouc

LOYKA, Svat., KUDr.; GRONSKY, I., MUDr.

Cavernous angioma of the cerebellum as cause of sudden death during pregnancy. Cesk. gyn. 21 no.5:351-352 Sept 56.

1. Ustav pro soudni lekarstvi PU v Olomouci, prednosta doc. MUDr.
A. Rozmaric.

- (ANGIOMA, in pregnancy
cerebellum, cavernous, causing sudden death (Cz))
- (PREGNANCY, complications
cavernous angioma of cerebellum, causing sudden death (Cz))
- (CEREBELLUM, neoplasma
angioma, cavernous, in pregn., causing sudden death (Cz))
- (DEATH, SUDDEN, in pregnancy
caused by cavernous angioma of cerebellum (Cz))

LOYKA, Svatopluk.

Historical determination of sex. Cas. lek. cesk. 96 no.12:373-375
22 Mar '57.

1. Ustav pathologicke anatomie PU v Olomouci, prednosta doc. MUDr
C. Dvoracek a ustav sodniho lekarstvi, prednosta doc. MUDr A. Roz-
maric.

(SEX CHARACTERISTICS

chromosomal sex determ. from skin biopsy (Cs))

MARSALEK, Eduard; LOYKA, Svatopluk

Fulminant course with sudden death in bacillary dysentery. Cesk. pediat. 15 no.4:320-326 Ap '60.

1. Mikrobiologicky ustav a Ustav pro soudni lekarstvi lekarske fakulty PU v Olomouci.

(DYSENTERY BACILLARY in inf.& child.)

LOYKA, S.; NEORAL, L.

Juridical responsibility of the physician and nurse in obstetrics and gynecology. *Cesk. gynek.* 29 no.4:303-307 My'64

1. Katedra soudního lékařství lek. fakulty PU [Palackého university] v Olomouci (vedoucí: doc. dr. S.Loyka, CSc) a Krajské soudne lek. odd. v Olomouci (vedoucí: dr. L.Neoral, CSc.).

LOYKA, V.A.

"Bibliography of publications of the Academy of Sciences,
White Russian SSR; books and periodicals for 1954. Izv.
AN BSSR no.6:173-184 N-D '55. (MLRA 9:6)
(Bibliography)

34722
S/137/62/000/002/115/144
A060/A101

11710

AUTHORS: Badzyaka, M. M., Loyka, Yu. M., Yarashevich, G. B.

TITLE: Investigation of the process of tempering steel 40X (40Kh) with the use of heating by high-frequency currents

PERIODICAL: Referativnyy zhurnal, Metallurgiya, no. 2, 1962, 101, abstract 2I687 ("Izv. AN BSSR. Ser. fiz-tekhn. n.", 1961, no. 2, 132 - 135, Belorussian)

TEXT: An investigation was carried out upon the main parameters of high-frequency heating (temperature and heating rate V_H) upon the hardness, residual stresses, domain size, and microstructure of hardened steel 40Kh after high-frequency induction tempering at 100 - 800°C. The specimens were hardened in water after HF induction heating up to 930°C at a heating rate V_H of 30 deg/sec, and another lot of specimens - after furnace heating at 930°C with soaking for 30 min. At HF induction tempering the heating was carried out at a V_H of 30 and 300 deg/sec. In parallel with this one carried out tempering in a furnace with soaking for one hour at the given temperature. The V_H was determined from heating oscillograms. It was established that tempering by 100°C in all cases leads

Card 1/3

Investigation of the process of...

S/137/62/000/002/115/144
A060/A101

to some improvement of hardness. As the temperature is raised further the tempering hardness is gradually reduced. An increase in the V_H at a given tempering temperature leads to an increase of hardness. When one tempers up to 300°C the difference in the hardness of the specimens tempered at various V_H is insignificant, testifying to the rapid occurrence of the processes of conversion of tetragonal martensite into the cubic modification, the initial stage of carbide precipitation and the decomposition of the residual austenite. At tempering temperatures of $300 - 400^\circ\text{C}$ a decrease of hardness under high-frequency induction heating is somewhat slowed down, in particular for V_H of 300 deg/sec, testifying to a protraction of the decomposition of the residual austenite. As one further raises the tempering temperature the influence of V_H upon the hardness increases. Thus, in order to attain $R_C 38$ at $V_H=30$ deg/sec, heating up to 550°C is required, whereas at $V_H = 300$ deg/sec - up to 600°C . Furnace tempering requires heating up to 470°C . The structure of troostite tempered by HF induction heating is obtained after tempering at 500°C , sorbite structure - after heating up to 700°C . The structures tempered by HF induction heating have a martensitic-type orientation. After HF induction heating at 800°C the martensitic orientation is lost; however, the transformation of the pearlite into austenite still does not occur in a great measure. The residual stresses of the second kind after HF induction tempering

Card 2/3

Investigation of the process of...

S/137/62/000/002/115/144
A060/A101

are greater than after furnace tempering to the same temperature. At one and the same hardness the magnitude of residual stresses is independent of the V_H . The domain size increases with the increased temperature or with a decrease of V_H , the temperature remaining constant. In furnace tempering the noticeable increase in domain size begins at 300°C , in HF induction tempering - at 500°C . The V_H has a noticeable effect upon the domain size starting from 300°C and above. There are 8 references.

M. Shapiro

[Abstracter's note: Complete translation]

X

Card 3/3

LOYKO, A. F.

"The Motor Evacuation Function of the Stomach in Healthy Lambs and Lambs With 'Obdymka' Under Roentgen Irradiation." Cand Biol Sci, Khar'kov Zootechnical Inst, Khar'kov, 1954. (RZhBiol, No 8, Dec 54)

Survey of Scientific and Technical Dissertations Defended at USSR Higher Educational Institutions (12)
SO: Sum. No. 556 24 Jun 55

LOYKO, A.I.

Investigating vibrations during countersinking of steel depending on machining conditions. Nauch.dokl.vys.shkoly; mash. i prib. no.1:182-191 '59. (MIRA 12:8)

1. Stat'ya predstavlena kafedroy "Metallorezhushchiye stanki i instrumenty" Bryanskogo instituta transportnogo mashinostroyeniya. (Drilling and boring--Vibration)

LOYKO, A.I.

Vibration-damping chucks. Stan.1 instr. 30 no.3:22 Mr '59.
(MIRA 12:3)

(Chucks) (Damping (Mechanics))

Loyko, A.M.

112-2-3008

Translation from: Referativnyy Zhurnal, Elektrotehnika, 1957, Nr 2, p. 67 (USSR)

AUTHOR: Loyko, A. M.

TITLE: The Utilization of Wind Motors on Collective [Livestock] Farms (Ispol'zovaniye vetrodvigateley na kolkhoznykh fermakh) (Vikoristannya vetrodviguniv na kolgospnikh fermakh) (In Ukrainian)

PERIODICAL: Sots. tvarinnitstvo, 1956, Nr 3, pp. 50-53

ABSTRACT: Wind motors are used on collective farms to drive feed processing machines, pumps, millstones and electric generators. At the collective farms of the Poltava oblast' approximately 400 factory-made wind motors have been installed. Some of them have been operating since 1936 and 1938. At the "Papanintsev" collective farm two type TB-8 wind motors have made it possible to realize an economy of 1,000 work days a year at one water pump alone. At other collective farms, such wind motors operate millstones, hammer crushers and root cutters. At the Kalinin collective farm in the Poltava oblast' a 10 hp. - 10 windmill pumps 20 cu m of water every 24 hrs, and during the autumn and winter drives a millstone, crushers, root cutters and

Card 1/ 2

112-2-3008

The Utilization of Wind Motors on Collective [Livestock] Farms (Cont.)

other machines. Over a period of eight months, the emergency horse-drawn drive was used only three times. Another such windmill ground 116 tons of grain, pumped water, milled lumber and made it possible to realize an economy of 2,500 kg of petroleum all in a period of eight months. A -12 type wind motors of up to 14 hp capacity are also operating efficiently at collective farms. V.P.S.

Card 2/2

USSR/Cultivated Plants. Cereals.

M

Abs Jour: Ref Zhur-Biol., No 17, 1958, 77606.

Author : ~~Loyko, A.N.~~

Inst : Institute of Biology of AS DSSR.

Title : Physiological Features of Varieties of Barley.

Orig Pub: Byul. In-ta biol., AN DSSR, vyp. 2, 1956 (1957),
116-120.

Abstract: In 1954-1956 the accumulation of sugars, cellular tissue and lignin were studied in bending and nonbending varieties of barley. Data are cited on the content of water soluble carbohydrates, cellular tissue and lignin in the leaves, stem and spike of the plants of the varieties Viner, No 103, No 458 and others according to the phases of development. Varieties resistant to bending were charac-

Card : 1/2

LOYKO, Anatoliy Mikhaylovich; KANIVETS, Ivan Danilovich [Kanivets', I.D.];
KOVALENKO, Yuriy Gur'yevich [Kovalenko, IU.H]; OLEFIRENKO, G.A.
[Olefirenko, H.A.], red.; GULENKO, O.I. [Hulenko, O.I.], tekhn. red.

[Over-all mechanization of corn growing] Kompleksna mekhanizatsiia
vyroshchuvannia kukurudzy. Kyiv, Derzh. vyd-vo sel'skohospodars'koi
lit-ry URSR, 1961. 248 p. (MIRA 14:11)
(Corn(Maize)) (Agricultural machinery)

LOYKO, A. N., Candidate Biol Sci (diss)-- "The physiological characteristics of the most promising varieties of barley for peat soils". Minsk, 1959. 21 pp (Inst of Biology of the Acad Sci Beloruss SSR), 150 copies (KL, No 24, 1959, 132)

LOYKO, I.O., dotsent; MaPALKOV, P.H., professor, zaveduyushchiy.

Streptomycin therapy of renal tuberculosis. Vest.khir. 73 no.4:34-35 J1-48
'53. (MLDA 6:8)

1. Fakul'tetskaya khirurgicheskaya klinika Leningradskogo sanitarno-zigiyeni-
cheskogo meditsinskogo instituta.

(Streptomycin) (Kidneys--Tuberculosis)

LOYKO, I.O., dotsent

Basic forms of renal tuberculosis in patients with pulmonary tuberculosis; according to pathoanatomical data from autopsies. Urologia 22 no.2:13-15 Mr-Apr '57. (MIRA 10:7)

1. Iz fakul'tetskoy khirurgicheskoy kliniki (zav. - prof. P.N. Napalkov) Leningradskogo sanitarno-gigiyenicheskogo meditsinskogo instituta

(TUBERCULOSIS, RENAL, pathol.

autopsy findings in pulm. tuberc. with renal tuberc.)

(TUBERCULOSIS, PULMONARY, compl.

tuberc., renal, kidney pathol. in autopsy)

LOYKO, I.O.

Diagnosis of tuberculosis of the urinary tract. Trudy LSGMI
39:347-360 '58. (MIRA 12:8)

1. Kafedra fakul'tetskoy khirurgii Leningradskogo sanitarno-
gigiyenicheskogo meditsinskogo instituta (zav.kafedroy - prof.
P.N.Napalkov).

(TUBERCULOSIS, UROGENITAL, diagnosis,
(Rus))