

LYUBARSKIY, M.G. [Liubars'kiy, M.H.]; LYASHENKO, M.S.

Physiological method of preparing the breasts for lactation. *Pediat. akush. ginek. no.3:57 '63* (MIRA 17:1)

1. Kafedra akusherstva i ginekologii No.2 (zav. - prof. F.O. Peterburgskiy [Peterburz'kiy, F.O.] Kiyevskogo instituta usovershenstvovaniya vrachey (rektor - dotsent M.N.Umovist) i roditel'nyy dom 2, Kiyev (glavnyy vrach A.N.Zozulya).

LIUBARSKII, M. I. [Lyubarskiy, M.I.], inzh.

An economic combustible gaseous mixture. Ratsionalizatsiia 3  
no.3s26 '63.

LYUBARSKIY, M.I., inzh.

Economical combustible gas mixture. Svar.proizv. no.11:39 N '62.  
(MIRA 15:12)  
(Gas welding and cutting—Equipment and supplies)

POLTAVTSEV, Yu.P.; LYUBARSKIY, M.R.; ARONOV, Yu.M.; BARINOVA, O.N.,  
red.; TRUSOV, N.S.; tekhn. red.

[Manufacturing boehmite roofing] Proizvodstvo bemitnoi krovli.  
Moskva, Gostytizdat, 1963. 98 p. (MIRA 17:3)

LOBZIN, Aleksandr Aleksandrovich; LYUBARSKIY, Nikolay Timofeyevich;  
NIKOLAYEVA, N.G., red.; VOLKOVA, V.G., tekhn. red.

[Small capacity refrigerators] Kholodil'niki maloi emkosti.  
Moskva, Gostogizdat, 1963. 130 p. (MIRA 16:7)  
(Refrigeration and refrigerating machinery)

LYUBARSKIY, P. B.

MIKHEYEV, Aleksey Vasil'yevich; BELYSHV, V.M., khudozhnik; TSVETKOVA, Ye.A., redaktor; LYUBARSKIY, P.B., redaktor; PETROVA, M.D.,  
tekhnicheskiy redaktor;

[Guide to birds' nests; aid for teachers of secondary schools.]  
Opredeitel' ptich'ikh gnezd; posobie dlia uchitelia srednei  
shkoly. Moskva, Gos.uchebno-pedagog.izd-vo Ministerstva prosve-  
shchenia RSFSR, 1955. 102 p. (MLRA 8:11)  
(Birds--Eggs and nests)

LYUBARSKIY, E.E., inzhener.

Compact method of loading coal. Zhel.dor.transp. 37 no.12:30-33  
D '55. (MLRA 9:5)

(Railroads--Freight cars) (Coal--Transportation)

LYUBARSKIY, S.

Technical study center for the Black Sea shipping. Mor.flot  
19 no.12:37 D '59. (MIRA 13:3)  
(Marine engineering--Study and teaching)  
(Black Sea--Merchant marine)



OLEFIRENKO, V.; D'YACHENKO, M.; KACHAN, L.; BROVIN, S. (Gor'kiy);  
SOKOLOV, A. (Sverdlovsk); LYUBARSKIY, S. (g.Odessa);  
KARAS', P. (g.Odessa); BAKAY, P.

Letters and correspondence. Sov. profsoiuzy 17 no.23:39-40  
D '61. (MIRA 14:12)

1. Predsedatel' Azovskogo gorkoma profsoyuza rabotnikov gosuchrezhdeniy (for Olefirenko).
  2. Instruktor Rostovskogo obkoma profsoyuza rabotnikov gosuchrezhdeniy (for D'yachenko).
  3. Neshtatnyy korrespondent zhurnala "Sovetskiye profsoyuzy", g. Vitebsk (for Kachan).
  4. Predsedatel' komissii okhrany truda Simferopol'skogo kozhevenno-obuvnogo kombinata imeni Dzerzhinskogo (for Bakay).
- (Trade unions) (Community centers)  
(Simferopol--Shoe industry--Hygienic aspects)

BREGADZE, I.L., prof.; LYUBARSKIY, S.R.

"Collection of works on surgery," vol.15, Stalino State Medical  
Institute. Edited by A.M. Ganichkina. Reviewed by I.L. Bregadze,  
S.R. Liubarski. Nov,khir.arkh. no.5:120-121 S-0 '59. (MIRA 13:3)  
(SURGERY) (GANICHKINA, A.M.)

LYUPARSKIY, S.V.; BINOV, M.L. (Odessa)

University of culture for nurses. Med. sestra 20 no.11:53-54 N '61.  
(MIRA 15:2)

(NURSES AND NURSING STUDY AND TEACHING)

LYUBARSKIY, V. V.

PA 63/49T107

USSR/Mining  
Mechanization  
Mining Procedure

Dec 48

"Hydromechanization of Mining Operations," V. V. Lyubarskiy, 3 pp

"Gor Zhur" No 12

Soviet scientists have never given too much attention to mechanization of labor-consuming operations. In this respect there must be an immediate reform if the Five-Year Plan is to be completed in 4 years. This is particularly true for hydromechanization, which has proved to be the most economical operation

63/49T107

USSR/Mining

(Contd)

Dec 48

in mining and earth-moving work. Gives examples where hydromechanization has aided in completion of projects, and urges greater use of this technique in construction.

63/49T107

LYUBARSKIY, V.Z. (Chita)

Treatment of mandibular fractures with a bone suture using a plastic  
thread. Stomatologiya 40 no.2:53-55 Mr-Apr '61. (MIRA 14:5)  
(JAWS--FRACTURE) (PLASTICS)

LYUBARSKIY, Y. [Liubars'kyi, I.], inzh.

Particle-board parts for glazed earthenware toilet bowls.

Bud. mat, i konstr. 4 no.2:57 Mr-Ap '62. (MIRA 15:9)

(Hardboard) (Water closets)

LYUBARSKIY, Ya. L.

USSR/Electricity  
Cathodes, Oxide  
Atomization

May 1947

"Atomization of Oxide Cathodes in Mercury Vapor Discharges," N. D. Morgolis, Ya. L. Lyubarskiy, Kiev State U, 4 pp

"Dok Akad Nauk SSSR, Nova Ser" Vol LVI, No 6

Describes experiments which establish existence of atomization of oxide cathode in a mercury discharge. Shows that effect may not be noticeable for a long time because of complete concealment of cathode generation which occurs at same time. Submitted by Academician S. I. Vavilov, 25 Dec 1946.

PA 58T26

MIKHAYLOV, V.M. (Moskva); LYUBARSKIY, Ya.Yu. (Moskva)

Forty years of the operation of the State Central Scientific  
Medical Library. Sov.zdrav. 19 no.2:76-79 '60. (MIRA 13:5)  
(LIBRARIES MEDICAL history)



LYUBARSKIY, Ya. Yu.

Useful and necessary publications. Sov. zdrav. Kir. no. 4/5:124  
JL-0'63 (MIRA 17:1)

1. Glavnyy bibliograf Gosudarstvennoy tsentral'noy nauchnoy  
meditsinskoy biblioteki Ministersta :dravookhraneniya SSSR.

LYUBARSKIY, Ya.Yu.; SUKHININA, Ye.I.; ZAMKOVA, Z.N.[deceased];

[Manual on medical bibliography] *Rukovodstvo po meditsin-  
skoi bibliografii.* Moskva, Meditsina, 1965. 191 p.  
(MIRA 18:7)

1. Moscow. Gosudarstvennaya nauchnaya meditsinskaya biblioteka.

LYUBARSKIY, Ya.Yu. (Moskva)

Sources of regional bibliographic data on the history of  
medicine and organization of public health service. Sov.  
zdrav. 22 no.4:50-56 '63. (MIRA 16:4)

1. Glavnyy bibliograf Tsentral'noy nauchnoy meditsinskoy  
biblioteki, Moskva.  
(BIBLIOGRAPHY--PUBLIC HEALTH) (BIBLIOGRAPHY--MEDICINE)

LYUBARSKIY, Ye.I., starshiy leytenant med.sluzhby

Use of a novocaine-furacilin solution for anesthesia in surgery.  
Ven.-med.zhur. no.10:87 0 '61. (MIRA 15:5)  
(LOCAL ANESTHESIA)

- LYUBARSKIY, Ye. L.

USSR/Meadow Cultivation.

L.

Abs Jour : Ref Zhur - Biol., No 21, 1958, 95870

Author : Lyubarskiy, Ye.L.

Inst : -

Title : Fertilization of River Valley Meadows in Tatarsiya.

Orig Pub : Udobreniye i urazhay, 1957, No 9, 45-49.

Abstract : In 1955-1956 in Tyulyachinskiy Rayon, Tatarskaya ASSR, the influence was studied of fertilizers superficially applied on the grass variety-bromegrass meadow of the Mesha River lowland. Phosphate and potassium fertilizers applied even in increased dosage exerted no essential effect on the hay yield. Even a small dosage of nitrogen fertilizers (30 kg N per 1 Ha) increased the hay yield by 33-35% in the year in which it was applied, and by 90% with a dosage of 120 kg N per 1 ha. Superficial application of nitrogen fertilizers, both mineral and organic, are recommended on the river-valley meadows of

Card 1/2

USSR/Meadow Cultivation.

L.

Abs Jour : Ref Zhur - Biol., No 21, 1958, 95870

the raised riparian zone in Tatarsiya. -- Ye. T.  
Zhukovskaya.

Card 2/2

LYUBARSKIY, Ye.L.

Effect of fertilizers on meadows of brome mixed with other grasses  
in the Meshi River floodlands. Uch. zap. Kaz. un. 117 no.9:235-238  
'57. (MIRA 13:1)

1. Kazanskiy gosudarstvennyy universitet im. V.I. Ul'yanova-Lenina.  
Kafedra geobotaniki.  
(Meshi Valley--Grasses--Fertilizers and manures)

LYUBARSKIY, Ye. L.: Master Biol Sci (diss) -- "Meadows in the valley of the  
river Meshi". Leningrad, 1958. 15 pp (Acad Sci USSR, Botanical Inst im  
V. I. Komarov), 200 copies (KL, No 5, 1959, 147)



LYUBARSKIY, Ye.L.

Construction of biomorphological series of herbaceous perennials.  
Bot.zhur. 44 no.12:1753-1756 D '59. (MIRA 13:4)

1. Kazanskiy gosudarstvennyy universitet.  
(Botany--Morphology)

LYUBARSKIY, Ye.L.

Organizing the Kazan Section of the All-Union Botanical Society.  
Bot.zhur. 45 no.3:463 Mr '60. (MIRA 13:5)

1. Kazanskiy gosudarstvennyy universitet.  
(Kazan--Botanical societies)

LYUBARSKIY, Ye.L.

Organs for vegetative reproduction and propagation in higher plants. Bot.zhur. 45 no.7:1067-1069 J1 '60. (MIRA 13:7)

1. Kazanskiy gosudarstvennyy universitet.  
(Plants--Reproduction)

LYUBARSKIY, Ye.L.

Ecology and interrelationships of rhizome producing grasses in the  
floodplain meadows of Tatarstan. Biul. MOIP. Otd. biol. 65  
no. 4:127-131 J1-Ag '60. (MIRA 13:10)  
(MESHA VALLEY--PASTURES AND MEADOWS)

LYUBARSKIY, Ye.L.

Biological and ecological study of species of the genus *Cacalia*  
L. in the south of the Maritime Territory. Bot. zhur. 46  
no.1:98-102 Ja '61. (MIRA 14:3)

1. Kazanskiy gosudarstvennyy universitet.  
(Maritime Territory--*Cacalia*)

LYUBARSKIY, Ye.L.

Finds of plants with certain abnormalities. Bot.zhur. 46  
no.3:428-429 Mr '61. (MIRA 14:3)

1. Kazanskiy gosudarstvennyy universitet.  
(Kazan region—Abnormalities(Plants))

LYUBARSKIY, Ye.L.

Methods for the description of associations. Bot.zhur. 47  
no.2:231-232 F '62. (MIRA 15:3)

1. Kazanskiy gosudarstvennyy universitet.  
(Plant communities)

LYUBARSKIY, Ye.L.

Wood-sorrel type spruce forest and its derivatives in southern  
Udmurtia. Bot. zhur. 47 no.10:1503-1510 0 '62. (MIRA 15:12)  
(Udmurt A.S.S.R.—Forest ecology)



LYUBARSKIY, Ye. L.

Role of long-rhizome species in the formation of grass stands  
as related to soil moisture. Bot. zhur. 48 no.3:403-405  
Mr '63. (MIRA 16:4)

1. Kazanskiy gosudarstvennyy universitet.

(Tatar A.S.S.R.--Pastures and meadows)  
(Roots(Botany)) (Plants, Effect of soil moisture on)

LYUFARSKIY, Ye. I.

Contribution to the methods of investigating the tropisms  
of subterranean plagiotropic shoots. Bot. zhur. 49 no. 2:  
240-242 F '64. (MIRA 17:6)

1. Kazanskiy gosudarstvennyy universitet.

LYUBARSKIY, Ye.L.

Ecological anatomy of the rhizome in some hydrophytes with long  
rhizomes. Bot. zhur. 50 no.1:119-123 Ja '65.

(MIRA 18:3)

LYUBARSKIY, Yu.; MEL'NIKOV, V.

Replacing stationary by graphite contacts on contactors of d.c.  
motor control panels for SE-3 excavators. Ugol' 34 no.9:55 S  
'59. (MIRA 12:12)

1. Severnyy razrez tresta Cherenkhovugol'.  
(Excavating machinery--Electric driving)

LYUBARSKIY, Yu. I.

Using joiner's and casein glues with kaolin additives. Suggested  
by W. I. Liubarskii. *Rats. i izobr. predl. v stroi.* no. 16:138-139  
'60. (MIRA 13:9)

1. Po materialam tekhnicheskogo otdela Upravleniya stroitel'stva  
i promyshlennosti stroitel'nykh materialov sovmarkhoza Tatarskoy  
ASSR.

(Glue)

GINZBURG, S. A., doktor tekhn. nauk; LYUBARSKIY, Yu. Ya., inzh.;  
SHLIMOVICH, V. D., inzh.

Functional converter of the RER computer and its design. Trudy  
VNIE no. 18:35-52 '64. (MIRA 18:6)

GINZBURG, S.A., doktor tekhn. nauk; LYUBARSKIY, Yu.Ya., inzh.

Composite (analog-digital) functional converters of one and two variables. Trudy VNIIE no.18:53-62 '64.

(MIRA 18:6)

GINZBURG, S.A., doktor tekhn. nauk; LYUBARSKIY, Yu.Ya., inzh.;  
MALISHEVSKAYA, N.S., inzh.

Functional analog memory device for a digital computer. Trudy  
VNIE no.18:63-68 '64. (MIRA 18:6)



LYUBARSKIY, Yu.Ya., inzh.

Universal functional converters of one or two variables with  
random distribution of interpolation stages. Trudy VNIIE no.18:  
69-75 '64. (MIRA 18:6)

ACC NR: AP6029550

SOURCE CODE: UR/0103/66/000/008/0131/0138

AUTHORS: Ginzburg, S. A. (Moscow); Lyubarskiy, Yu. Ya. (Moscow)

ORG: none

TITLE: A hybrid function generator

SOURCE: Avtomatika i telemekhanika, no. 8, 1966, 131-138

TOPIC TAGS: analog digital converter, digital analog converter, generator, hybrid computer, analog digital computer, interpolation, polynomial / RER-2 analog digital computer, RER-1 analog digital computer

ABSTRACT: An analog-digital single-variable function generator is described. The device has fast response, accuracy, and simplicity. An extended interpolation polynomial is used to obtain fairly simple tuning of the circuit (see Fig. 1). An input converter (see Fig. 2) is used to separate the input value into digital and analog parts. The analog value required for interpolation  $x_a$  is formed in accordance with

$$x_a = \left[ x - \frac{2X}{m} E\left(\frac{xm}{2X}\right) - \frac{X}{m} \right] \frac{m}{X},$$

where  $E(xm/2X)$  is the integral part of  $xm/2X$ . Both digital and analog function

Card 1/3

UDC: 681.34'335.8

ACC NR: AP6029550

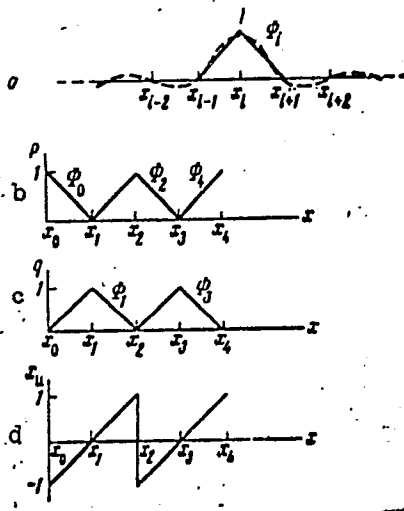


Fig. 1. Structure of hybrid function generator

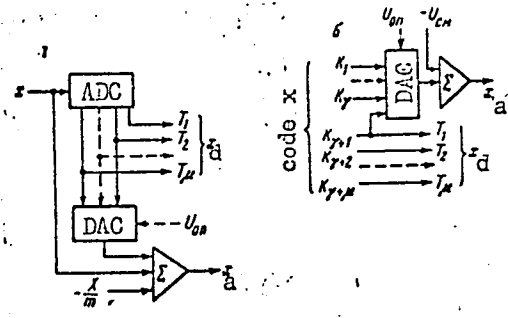


Fig. 2. Input converter of hybrid function generator: a--analog form of input value; b - digital form of input value

Card 2/3

ACC NR: AP6029550

setting are provided. Such a hybrid function generator was constructed for the RER-2 analog-digital computer, in which the rms instrument error in reproducing monotone functions is 0.5--0.6%. The generation time is not over 1 msec. Orig. art. has: 15 formulas, 2 graphs, and 5 diagrams.

SUB CODE: 09/ SUBM DATE: 20Jan66/ ORIG REF: 008/ OTH REF: 002

Card 3/3

LYUBARSKIY-ZAIKA, A.I.; TABAKMAN, M.I. (Odessa)

Experience in organizing X-ray fluorographic examinations.  
Vrach.delo no.12:132-133 D '62. (MIRA 15:12)

1. Rentgenologicheskoye otdeleniye (nachal'nik - A.I.Lyubarskiy-Zaika)  
Derozhnoy klinicheskoy bol'nitsy Odesskoy zheleznoy dorogi.

(DIAGNOSIS, FLUOROSCOPIC) (DIAGNOSIS, RADIOSCOPIC)

LYUBARSKIY-ZAIKA, A.I., (Odessa)

Result of a fluorographic examination of the workers of the  
Odessa Railway and the members of their families. Klin. med.  
40 no.11:110-112 N'62 (MIRA 16:12)

1. Iz rentgenologicheskogo otdeleniya Dorozhnoy bol'nitsy  
(nachal'nik A.Kh. Filonov) Odesskoy zheleznoy dorogi. Nauchnyy  
rukovoditel' - zasluzhennyy deyatel' nauki prof. S.A.Reynberg,  
Moskva.

LYUBARSKIY-ZAIKA, A.I.

Methodology of examining the heart and blood vessels in fluorography. Vestn. rent. i rad. 38 no.3:76-78 My-Je '63.

(MIRA 17:7)

1. Iz rentgenovskogo otdeleniya Dorozhnoy bol'nitsy (nachal'nik A.Kh. Filonov, nauchnyy rukovoditel' - zasluzhennyy deyatel' nauki prof. S.A. Raynberg) Odesskoy zheleznoy dorogi.

DERBEDENOVA, M.P.; KUROCHKIN, B.I.; GLUMOVA, Z.I.; ZHIGUL'SKAYA, I.F.;  
VEVOR, P.A.; BORISOVA, A.I.; LYUBART, A.M.

Diagnostic value of the determination of blood serum aldolase activity  
in Botkin's disease. Sov.med. 25 no.1:92-95 Ja '61. (MIRA 14:3)

1. Iz Virusologicheskoy laboratorii Astrakhanskoj oblastnoy sanitarno-  
epidemiologicheskoy stantsii (glavnyy vrach I.I.Troitskiy), kafedry  
mikrobiologii Astrakhanskogo meditsinskogo instituta, Bol'nitsy  
imeni Bekhtereva (glavnyy vrach V.I.Gembitskiy) i Gorodskoy sanitarno-  
epidemiologicheskoy stantsii (glavnyy vrach G.A.Gul'gaz'yants).  
(ALDOLASE) (HEPATITIS, INFECTIOUS)



LYUBART, L.D.

Electric heating of petroleum products on tankers. Transp. i khran.  
nefti i nefteprod. no.8:11-15 '64. (MIRA 17:9)

1. Astrakhanskoye tsentral'noye konstruktorskoye byuro.

BULANKIN, I.N. [Bulankin, I.M.] [deceased]; PARINA, Ye.V. [Paryna, IE.V.];  
AGRANOVICH, R.I. [Ahranovych, R.I.]; LYUBARTSEVA, L.A. [Liubartseva,  
L.O.]; KOLESNIK, L.S. [Kolesnyk, L.S.]

Role of disulfide groups in the formation of gels during acid-  
alkaline denaturation of egg albumin. Ukr. biokhim. zhur. 33 no.3:  
307-314 Je '61. (MIRA 14:6)

1. Kafedra biokhimii Khar'kovskogo gosudarstvennogo universiteta  
im. A.M.Gor'kogo.  
(DISULFIDE GROUP) (ALBUMIN) (COLLOIDS)

ANGARSKAYA, M.A.; LYUBARTSEVA, L.A.; SOKOLOVA, V. Ye.

Pharmacology of deglucocheirotxin. Farm. i toks. 26 no.6:  
687-692 N-D '63 (MIRA 1822)

1. Khar'kovskiy nauchno-issledovatel'skiy khimiko-farmatsevticheskiy institut.

LYUBARTSEVA, L.A.; ANGARSKAYA, M.A.; SOKLOVA, V.Ye.

Effect of some new glycosides and aglycons of *Convallaria* on  
the central nervous system. Farm. i toks. 28 no.6:653-656  
N-D '65. (MIRA 19:1)

1. Khar'kovskiy nauchno-issledovatel'skiy khimiko-farmatsevtiche-  
skiy institut.

LYUBAS', N.S.

Inserting plywood seats into chair frames by the use of templates.  
Der. prom. 13 no.8:23 Ag '64. (MIRA 17:11)

IL'IN, S., zhurnalist; RUSAKOVA, V., zhurnalist; BRODOVSKIY, B., zhurnalist;  
SVIRIN, I., zhurnalist; KISHCHIK, P., zhurnalist; STOYKEVICH, M.,  
zhurnalist; PAREMSKIY, V., zhurnalist; L'VOV, B., zhurnalist;  
LYUBASHCHENKO, I., zhurnalist; VYSOTSKIY, Ye., zhurnalist;  
~~KHVOSTOVA, D.M., red.~~; SHADRINA, N.D., tekhn.red.

[Innovators in the seven-year plan; people with work achievements]  
Zachinateli novogo v semiletke; ljudi trudovogo podviga. Moskva,  
Izd-vo VTsSPS Profizdat. No.7. 1961. 66 p.

(MIRA 15:2)

(Building--Technological innovations)

LYUBASHCHENKO, Ivan Grigor'yevich; KANTER, A.I., red.; RAKITIN, I.T.,  
~~tekhn. red.~~

[Solid, safe, lasting] Prochno, nadezhno, dolgovechno. Moskva, Izd-vo "Znanie," 1963. 31 p. (Narodnyi universitet kul'tury: Tekhniko-ekonomicheskii fakul'tet, no.7)

(MIRA 16:9)

(Industrial organization)

LYUBASHENKO, M. A.

KRAVCHENKO, N.A., professor, doktor sel'skokhozyaystvennykh nauk; BIZILOSENKO,  
A.G., detsent, kandidat veterinarnykh nauk; LYUBASHENKO, M.A., assistant.

Studying the sweat glands in cattle in relation to milk production. Nauk.  
zap.Kiev.un. 8 no.7:217-239 '50 [i.e.'49]. (MLRA 9:10)  
(Cows) (Sweat glands)



LYUBASHINIC, S. Ya.

Doc Veterinaria Sci

Dissertation: "Leptospirosis of Animals." Moscow Sovveterinarny Inst, 17 Jan 49.

SC: Vechnaya Moskva, Jan, 1947 (Project #17036)

LYUBASHENKO, S. YA.

USSR/Medicine - Spirochetosis  
Medicine - Veterinary Medicine  
May 1947

"Leptospirosis in Horses," S. Ya. Lyubashenko,  
L. S. Novikova, Central Scientific and Research  
Laboratory of Fur-Bearing Animal Husbandry, MFT,  
USSR, 5 pp

"Veterinariya" No 5

Short historical data on the disease. Among  
conclusions is fact that research has shown  
leptospirotic etiology in infectious yellow  
jaundice of horses. Experimental inoculation of  
colts and silver and black foxes resulted in a  
clinical, pathological, and anatomical picture,  
characteristic of spontaneous leptospirosis.

ISSR/Medicine - Spirochetosis (Contd) May 1947  
Medicine - Veterinary Medicine

In these animals.

17710

LYUBASHENKO, S. YA.

USSR/Medicine - Epizootic Diseases  
Medicine - Spirochetosis

Aug 1947

"Clinical Treatment, Diagnosis, and Specific Prophylaxis and Therapy for Leptospirosis in Horses," S. Ya. Lyubashenko, Laureate of the Stalin Prize, L. S. Nevikova, TsNIL, Fur Bearing Animal Raising MVT USSR, 4 pp

"Veterinariya" No 8

Describes clinical treatment of the dormant, the acute, and atypical cases, and simple and chronic cases of the disease. States the main features to be noticed in the diagnosis of the disease, and brief description of the prophylaxis and therapy of leptospirosis.

PA 36T66

LYUBAN PUKO, S. YU.

Lyuban Puko, S. Yu. (Author of "Soviet Foreign Policy" and "Soviet Foreign Policy,"

"Doklady Akademii Nauk SSSR" [Soviet Academy of Sciences Reports],

SO: International, Vol. 4, No. 2, pp 10-15, 1977

LYUBASHENKO, S. Ya. (Co-author)

See: BUZINOV, I. A.

Lyubashenko, S. Ya. and Buzinov, I. A. "Measures of combat-  
ting the loss of young fur-bearing animals," Karakulevodstvo  
i zverovodstvo, 1949, No. 2, p. 63-65.

SO: U-3736, 21 May 53, (Letopis 'Zhurnal 'nykh Statey, No. 17, 1949).

LYUBASHENKO, S. Ya.

LYUBASHENKO, S. Ya., VESELOV, V. I. "Differential diagnosis of certain infectious diseases of fur-bearing animals," *Karakulevodstvo i zverovodstvo*, 1949, No 3, p. 67-69

SO: U-5240, 17Dec53, (Letopis 'Zhurnal 'Nykh Statey, No. 25, 1949).

LYUBASHENKO, S. Ya.

34102. Lyubashenko, S. Ya. i Danilov, Ye. P. K voprosu diagnostiki tuberkuleza  
saralov. karakulevodstvo i zverovodstvo, 1949, No. 5, s. 59-63

30: Knizhuays, Letopis', Vol. 7, 1955

LYUBASHENKO, S. YA.

22607. LYUBASHENKO, S. YA. Vaktsinoprofilaktika, seroprofilaktika i seroterapiya leptospiroza zhivotnykh. Veterinariya, 1949, No. 7, S. 6-9

SO: LETOPIS' No. 20, 1949

*central Sci-Res. Lab. Fun. Animal Breeding. Min. of Foreign Trade*



LYUBASHENKO, S. YA.

Collected articles edited by-

Voprosy veterinarii (Problems of Veterinary Medicine). Moscow.  
"Mezhdunarodnaya kniga." 1950. 426 pages with illustrations. Trans-  
actions of the Central Scientific-Research Fur-bearing Animal Breeding  
Laboratories.

U-5235

1. LYUBASHENKO, S. Ya.
2. USSR (600)
4. Agriculture
7. Diseases of fur-bearing animals. Moskva, Sel'khozgiz, 1952.

9. Monthly List of Russian Accessions. Library of Congress, April 1953. Unclassified.

LYUBASHENKO, S.Ya., professor, laureat Stalinsky premi.

Role of rodents in the epizootology of leptospirosis in animals.  
Veterinariia 32 no.6:39-43 Je '55. (MLRA 8:7)  
(RODENTS AS CARRIERS OF DISEASE) (LEPTOSPIROSIS)

LYUBASHENKO, S. Ya., professor; IVANOV, B.G., professor; TYUL'PANOVA, A.V.

Clinicoanatomical characteristics of spontaneous and experimental leptospirosis in horses. Veterinaria 32 no.12:14-20 D '55.

(MLRA 9:4)

1.VNIIZO i Vsesoyuznyy institut eksperimental'noy veterinarii.  
(LEPTOSPIROSIS) (HORSES--DISEASES)

**LYUBASHENKO, S.Ya.**, doktor veterinarnykh nauk, professor; **PETROV, A.M.**, professor, doktor veterinarnykh nauk; **PANKOV, V.A.**, kandidat veterinarnykh nauk; **NAZAROV, V.P.**, kandidat veterinarnykh nauk; **DUBNITSKIY, A.A.**, kandidat veterinarnykh nauk; **KNYAZEVSKIY, A.V.**; **DIKOREV, P.I.**, redaktor; **FEDOTOVA, A.F.**, tekhnicheskij redaktor

[Infections and parasitic infestations of dogs] Infektsionnye i invazionnye bolezni sobak. Moskva, Gos. izd-vo selkhoz. lit-ry, 1956. 242 p. (MLBA 9:12)

(Dogs--Diseases and pests)  
(Parasites--Dogs)

LYUBASHENKO, S.Ya., laureat Stalinskoy premii, professor; DANILOV, Ye.P.,  
veterinarnyy vrach.

Tuberculosis in marals. Veterinariia 33 no.1:22-26 Ja '56.

(TUBERCULOSIS IN ANIMALS) (MARAL--DISEASES AND PESTS) (MLRA 9:4)

USSR/Diseases of Farm Animals. Diseases Caused by Viruses  
and Rickettsiae.

Abs Jour: Ref Zhur-Biol., No 9, 1958, 40657.

Author : Iyubashenko, S. Ya., Tyul'panova, A. F., Grishin,  
V. M.

Inst :

Title : Aueski Disease Among Mink, Arctic Foxes and Silver  
Foxes.

Orig Pub: Karakulevodstvo o zverevodstvo, 1957, No 6, 52-54.

Abstract: Animals of all ages are susceptible to the Aueski  
disease. Basic sources in spreading the disease  
are subproducts and meat remnants of pigs afflicted  
with the disease. The disease takes a very acute  
course, and all diseased minks, as well as arctic  
and silver foxes die within eight hours after the

Card : 1/3

34

USSR/Diseases of Farm Animals. Diseases Caused by Viruses and Rickettsiae. R

Abs Jour: Ref Zhur-Biol., No 9, 1958, 40657.

onset of the illness. The diseased minks suddenly refuse food; sometimes, the first signs of the disease appear soon after food intake. During the first hour of falling ill, minks go into a depression and their eye slits become narrower; later, depression changes to excitation. Then the animals fall on their backs, and with swift movements of their front paws scratch their cheeks, ears and bellies, without, however, injuring their skins. The onset of the disease is not always accompanied by food refusal in arctic and silver foxes. They go into a depression and begin to scratch the skin of their heads with their front and hind paws, first slowly and then more vigorously. In some of the foxes the scratched spots become bald

Card : 2/3



USSR/Diseases of Farm Animals. Diseases Caused by Viruses  
and Rickettsiae.

Abs Jour: Ref Zhur-Biol., No 9, 1958, 40657.

and the skin is severely injured; subcutaneous cells  
and muscles are torn and there is secretion of bloody  
exudate. Most of the animals show a weakness of their  
hindquarters with subsequent paresis. Antibiotics  
treatment, as recommended by Solomkin, proved to be  
ineffective. An effective measure, which helps to  
check the spread of the disease, is elimination of con-  
taminated meat products from the animals' diet.

Card : 3/3

35

USSR/Diseases of Farm Animals. Diseases Caused by Viruses R  
and Rickettsiae

Abs Jour: Ref Zhur-Biol., No 9, 1958, 40652.

Author : Pankov, V. A., Lyubashenko, S. Ya., Mezhtsiyema, V. N.  
Inst :  
Title : Arctic Fox Pest.

Orig Pub: Karakulevodstvo i zverovodstvo, 1957, No 6, 59-60.

Abstract: Arctic fox pest enzooty in animal breeding sovkhoses is described. The disease begins with disturbances of the gastro-intestinal tract After 2 to 3 days, serous, and later mucous and mucopurulent conjunctivitis appears. The urine of some of the animals had an orange-yellow color. Characteristic pathologic and anatomic changes consist in edema of the stomach mucosa, which is sometimes accompanied by hemorrhages

Card : 1/2

LYUBASHENKO, S.Ya., professor.

Problems in the diagnosis of leptospirosis in animals. Veterinariia  
34 no.8:16-19 Ag '57. (MLRA 10:9)

1. Moskovskaya veterinarnaya akademiya.  
(Leptospirosis)

LYUBASHENKO, S.Ya., prof.; TYUL'PANOVA, A.F., veterinarnyy vrach; GRISHIN, V.M.

Aujesky's disease in mink, arctic fox, and silver fox [with summary in English]. Veterinariia 35 no.8:37-41 Ag '58. (MIRA 11:9)

1. Moskovskaya veterinarnaya akademiya (for Lyubashenko). 2. Vse-soyuznaya nauchno-issledovatel'skaya laboratoriya pushnogo zverovodstva (for Tyul'panova). 3. Starshiy veterinarnyy vrach Roshchinskogo zverosovkhoza (for Grishin).

(Fur-bearing animals--Diseases and pests) (Pseudorabies)

LYUBASHENKO, S.Y., prof.

International Conference on Leptospirosis in Man and Animals.  
Veterinaria 36 no.6:78-80 Js '59. (MIRA 12:10)  
(Leptospirosis--Congresses)

17 (2), 30 (6)

SOV/16-60-4-44/47

AUTHOR: Naletov, N.A., Lyubashenko, S.Ya., Terent'yev, F.A., Teternik, D.M.,  
Kalugin, V.I. and Korneyev, I.P.

TITLE: Professor Kh. Planel'yes. On the Occasion of his Sixtieth Birthday.

PERIODICAL: Zhurnal mikrobiologii, epidemiologii i immunobiologii, 1960, Nr 4,  
pp 146 (USSR)

ABSTRACT: This is a brief account of the life and career of Professor Kh. Planel'yes, Corresponding Member of the Akademiya meditsinskikh nauk SSSR (Academy of Medical Sciences of the USSR) and a noted pharmacologist, biochemist and microbiologist. He is credited with the discovery of many new Soviet antibiotics. <sup>6</sup>

Card 1/1

17 (2), 30 (6)

SOV/16-60-4-45/47

AUTHOR: Naletov, N.A., Lyubashenko, S.Ya., Terent'yev, F.A., Teternik, D.M., Kalugin, V.I. and Korneyev, I.P.

TITLE: Professor A.I.Metelkin. On the Occasion of Forty Years of Work.

PERIODICAL: Zhurnal mikrobiologii, epidemiologii i immunobiologii, 1960, Nr 4, pp 146 - 147 (USSR) <sup>31</sup><sub>1</sub>

ABSTRACT: This is a brief account of the scientific activity of Professor A.I. Metelkin, microbiologist, pedagogue and publicist.

Card 1/1

LYUBASHENKO, S. Ya., TYULPANOVA, A. F. and GRISHIN, V. M.

"Specificical prophylaxis, treatment and some problems of epizootiology  
of Oujeski disease in fur-bearing animals."

Veterinariya, Vol. 37, No. 4, 1960, p. 46

*Lyubashenko - Prof. Moscow Tech. Inst. Meat and Fat Industry*



LYUBASHENKO, S.Ya., prof.; NOVIKOVA, L.S., kand.veterinarykh nauk;  
PICHUGIN, L.M., doktor veterinarynykh nauk, dotsent; MOLCHANOV, S.G.,  
dotsent; KHUN SHAN-~~VEN~~' [Hung Shang-wên], aspirant

Materials on the study of leptospirosis in swine. Veterinariia  
37 no.8:33-38 Ag '60. (MIRA 15:4)

1. Moskovskiy tekhnologicheskiy institut myasnoy i molochnoy  
promyshlennosti (for Lyubashenko). 2. Nauchno-issledovatel'skiy  
institut pushnogo zverovodstva i krolikovodstva (for Novikova).
3. Moskovskaya veterinarnaya akademiya (for Pichugin, Molchanov,  
Khun Sha. -ven').

(Leptospirosis) (Swine--Diseases and pests)

LYUBASHENKO, S.Ya., referent

Leptospirosis in farm animals; according to materials received by  
the editor. Veterinaria 38 no.1:51-53 Ja '61. (MIRA 15:4)  
(Leptospirosis) (Veterinary medicine)

LYUBASHENKO, S. YA. (Reviewer)

"Leptospirosis of agricultural animals".

Veterinariya, Vol. 38, No. 2, 1961, p. 48.

*(cont.)*  
LYUBASHENKO, S. YA., DANILOV, E. P., and LYUBIMOV, M. P. (Professor, Veterinary Surgeon, All-Union Scientific-Research Laboratory of the Furbearing Animal Breeding Industry, Candidate of Veterinary Sciences)

Material on the study of necrobacillosis in elks.

Veterinariya vol. 38, no. 9, September 1961, pp. 50.

LYUBASHENKO, S.Ya. (Professor, Moscow Technological Institute of the Meat and Dairy Industry) and TYUL'PANOVA, A.F. (Junior Scientific Worker, Scientific Worker, Scientific Research Institute of Breeding Fur-Bearing Animals and Rabbit Husbandry).

"Comparative effectiveness of different vaccines against Aujeszky's [Aueski's] disease in fur-bearing animals..."  
Veterinariya, vol. 39, no. 3, March 1962 pp. 54

LYUBASHENKO, Sergey Yakovlevich, prof.; PETROV, Aleksandr Mikhaylovich,  
prof.; BESKHLEBNOV, Yu.A., red.; DEYEVA, V.M., tekhn. red.

[Diseases of fur-bearing animals]Bolezni pushnykh zveri. Mo-  
skva, Sel'khozizdat, 1962. 214 p. (MIRA 15:11)  
(Fur-bearing animals--Diseases and pests)

LYUBASHENKO, S. Ya.

"Prophylaxis and Control Measures for Leptospirosis in Man and  
Animals"

from Bor'bas Boleznyarni, Obshchimi Dlya Cheloveka i Zhivotnykh (Zoonozy)  
Moscow, 1961.

LIKHACHEV, N.V., prof.; AGRINSKIY, N.I., prof.; SYURIN, V.N., prof.;  
SPESIVTSEVA, N.A., prof.; KOLOBOLOTSKIY, G.V., prof.;  
ZOLOTAREV, N.A., prof.; KCRYAZHMOV, V.P., prof.; KOLESOV,  
S.G., prof.; BABICH, M.A., prof.; PETROV, A.M., prof.; ZOTOV,  
A.P., prof.; DOROFYEV, K.A., prof.; POLYKOVSKIY, M.D., prof.;  
SOLOMKIN, P.S., prof.; ORLOV, Ye.S., prof.; KOTOV, V.T., prof.;  
TRILENKO, P.A., prof.; LYUBASHENKO, S.Y., prof.; USACHEVA,  
I.G., red.; YARNYKH, A.M., red.; BALLOD, A.I., tekhn. red.

[Veterinary laboratory practice]-Veterinarnaia laboratornaia  
praktika. Moskva, Sel'khozizdat. Vol. [General microbiological  
methods of investigation] Obshchie mikrobiologicheskie metody is-  
sledovaniia. 1963. 566 p. Vol.2. [Biochemical, chemico-  
toxicological, and veterinary hygienic methods of investigation]  
Biokhimicheskie, khimiko-toksikologicheskie i zoogigienicheskie  
metody issledovaniia. 1963. 431 p. (MIRA 16:8)  
(Veterinary laboratories)



LYUBASHENKO, S.Ya., prof.; TYUL'ANOVA, A.F., veterinarnyy vrach;  
GRISHIN, V.M.; veterinarnyy vrach

Specific prevention, treatment, and some problems in the  
epizootology of Anjeszky's disease in fur-bearing animals.  
Veterinariia 37 no.4:46-51 Ap'60. (MIRA 16:6)

1. Moskovskiy tekhnologicheskii institut myasnoy i molochnoy  
promyshlennosti (for Lyubashenko). 2. Nauchno-issledovatel'-  
skiy institut pushnogo sverovodstva i krolikovodstva (for  
Tyul'anova, Grishin).  
(PSEUDORABIES) (FUR-BEARING ANIMALS-DISEASES)

LYUBASHCHENKO, S.Ya., prof.; MALAKHOV, Yu.A., kand.veter. nauk

Ways for the eradication of leptospirosis in swine. Veterinariia 40  
no.5:19-25 My '63. (MIRA 17:1)

1. Moskovskiy tekhnologicheskii institut myasnoy i molochnoy promysh-  
lennosti.

LYUBASHENKO, S.Ya., prof.; LYUBIMOV, M.P., kand. veter. nauk;  
DANILOV, Ye.P., veterinarnyy vrach

Materials on necrobacillosis in marals and Japanese deer.  
Veterinariia 38 no.9:50-53 S '61. (MIRA 16:8)

1. Vsesoyuznaya nauchno-issledovatel'skaya laboratoriya  
pushnogo zverevodstva.

LIKHACHEV, N.V.; NAZAROV, V.P.; AGEYEV, L.S.; BORISOVICH, Yu.F.; LYUBASHENKO,  
S.Ya.; KORNEYEV, I.P.; MALAKHOV, Yu.A.; YURKOV, G.G.

Book reviews and bibliography. Veterinariia 40 no.8:86-89 Ag '63.  
(MIRA 17:10)

LYUBASHENKO, S. Ya., prof.; MALYAVIN, A.G., kand. veter. nauk; ROMIN, A.V.,  
kand. veter. nauk; TYUL'PANOV, N.B., kand. veter. nauk; AGANINA,  
L.A., mladshiy nauchnyy sotrudnik; KAZEYEV, R.V., mladshiy nauchnyy  
sotrudnik; SAVRASOV, A.S., veterinarnyy vrach [deceased]

Effectiveness of a polyvalent formolthiomersan vaccine against  
paratyphoid fever and colibacillosis. Veterinariia 41 no.1:25-  
28 Ja '64. (MIRA 17:3)

LYUBASHENKO, S.Ya., prof.; KOSTRIKINA, I.O., applicant

Concentrated polyvalent adsorbed vaccine against leptospirosis in animals. Veterinaria 43 no.4:17-21 Ap '65.

(MIRA 18:6)

J. Moskovskiy tekhnologicheskiy institut myasnoy i molochnoy promyshlennosti.

KOSTRIKINA, L.G., aspirant; LYUBASHENKO, S.Ya., prof., nauchnyy rukovoditel'  
raboty

Culture medium for leptospira. Veterinariia 41 no.8:25-26 Ag '63

(MIRA 1844)

1. Moskovskiy tekhnologicheskii institut myasnoy i molochnoy  
promyshlennosti.

LYUBASHENKO, S.Ya., prof.; ADAYKIN, P.V.; BAKHTIN, A.G., kand. veter. nauk;  
NIKITIN, I.N., veterinarnyy vrach (Irkutskaya oblast'); SAZONOV,  
Yu.I., veterinarnyy vrach (Irkutskaya oblast'); SAZONOVA, N.A.,  
veterinarnyy vrach (Irkutskaya oblast')

Leptospirosis of farm animals. Veterinariia 41 no.7:36-42  
Jl '64. (MIPA 18:11)

1. Nachal'nik veterinarnogo otdela Ul'yanovskogo oblastnogo  
upravleniya proizvodstva i zagotovok sel'skokhozyaystvennykh  
produktov (for Adaykin). 2. Vsesoyuznyy institut eksperimental'-  
noy veterinarii (for Bakhtin).



LYUBASHEV, G. K.

PA-2T16

USSR/Geology - Exploration  
Coal

Jan-Feb 1947

"New Lodes in the Chelyabinsk Coal Drilling Basin,"  
G K Lyubashev, 2 pp

"Razvedka Nedr" Vol 30, No 1

Discusses the Sugoyak, Kullay, and Nazarov lodes.  
Three plans

2T16

15-57-3-3475

Translation from: Referativnyy zhurnal, Geologiya, 1957, Nr 3,  
p 146 (USSR)

AUTHOR: Lyubashev, G. K.

TITLE: The Potential Coal Content of the Chelyabinsk Brown-Coal Basin and Surrounding Regions (O perspektivakh uglenosnosti Chelyabinskogo burougol'nogo basseyna i privileyushchikh k nemu ploshchadey)

PERIODICAL: Tr. Labor. geol. uglya AN SSSR, 1956, Nr 6, pp 435-437

ABSTRACT: The western border of the Chelyabinsk Basin can be distinctly traced and there is no doubt that coal prospects in the Mesozoic rocks are unlikely. The eastern border is not clearly known. It is possible that coal-bearing beds may branch in the eastern part of the basin, as they do in the southern part. Of the two productive zones which have been distinguished in the basin (the axial and the eastern), the latter has been only slightly explored. It is suggested that supplementary reserves may be uncovered in the eastern belt,

Card 1/2

15-57-3-3475

The Potential Coal Content (Cont.)

in the Korkino, Kamyshin, and Yemanzhelinsk regions, as well as to the north and south of these areas. A second potential part of the basin, the Miass (S. Joyak) coal belt, is situated in the northern part of the basin. Coal-bearing beds have been explored to depths of 800 m. The coal content decreases somewhat with depth, but the potential new reserves discovered in deep horizons are significant inasmuch as, on the whole, these horizons have been only slightly explored throughout the basin. The author suggests that the coal belts may become broader to the north or join together to form economic coal deposits. Signs of coal are recognized far to the north of the Miass River (to the Techa River). It is possible that supplementary coal belts will be uncovered in both the northern and the eastern parts of the basin.

Card 2/2

Ye. O. P.

LYUBASHEVSKAYA, A.L.

Construction features of tractors used for various purposes.  
Politekh. obuch. no.3:57-70 Mr '57. (MLRA 10:5)

1. Metodist pavil'ona "Mashinostroyeniye" Vsesoyuznoy promyshlennoy  
vystavki.

(Tractors)