

MORACHEVSKIY, M.A.; SMIRNOV, B.K., *otv.red.*; PYZNER, A.S., *zaveduyushchiy red.isd-va*; OSEBKO, L.M., *tekh.red.*

[Uniform time and pay standards for construction, assembly, and repair operations in 1960] *Edinye normy i rastsenki na stroitel'nye, montazhnye i remontno-stroitel'nye raboty, 1960 g. Moskva, Gos.isd-vo lit-ry po stroit., arkhit. i stroit.materialam. Sbornik 3. [Masonry work] Kamennye raboty. No.2 [Stone bridges and pipes] Kamennye mosty i truby, 1960. 12 p. (MIRA 13:6)*

1. *Brissia (1923- U.S.S.R.) Gosudarstvennyy komitet po delam stroitel'stva.* 2. *Tsentral'noye normativno-issledovatel'skoye byuro "Orgtransstroy" Ministerstva transportnogo stroitel'stva (for Morachevskiy).*

(Wages)

(Bridges, Stone)

MORACHEVSKIY, N.A.; SAVEL'YEV, V.A.; RIMMER, V.S., otv.red.; PRVZNER, A.S.,  
zaveduyushchiy red.isd-va; TEMKINA, Ye.L., tekhn.red.

[Uniform time and pay standards for construction, assembly, and  
repair operations in 1960] Edinye noray i rastsenki na stroitel'-  
nye, montazhnye i remontno-stroitel'nye raboty, 1960 g. Moskva, Gos.  
isd-vo lit-ry po stroit., arkhit. i stroit.materialam. Sbornik 12.  
[Pile driving] Svalnye raboty. 1960. 28 p. (MIRA 13:6)

1. Russia (1923- U.S.S.R.) Gosudarstvennyy komitet po delam stroi-  
tel'stva. 2. Tsentral'noye normativno-issledovatel'skoye byuro  
(Orgtransstroy) Ministerstva transportnogo stroitel'stva (for Mora-  
chevskiy, Savel'yev).  
(Wags) (Piling (Civil engineering))

LEVIN, Mikhail Izrailevich; MORACHEVSKIY, I.Ya., red.

[Economics for engineers; a recommended list of literature]  
Ekonomika dlia inzhenerov; rekomendatel'nyi ukazatel' li-  
teratury. Leningrad, 1964. 102 p. (MIRA 17:8)

1. Leningrad. Iudichnaya biblioteka.

MORACHEVSKIY, T. N., M. NAUCHN. SOTR.

TSENTRAL'NIY NAUCHNO-ISSLEDOVATEL'SKIY INSTITUT PROMYSHLENNYKH SOORUZHENIY (TSNIIPS)

ISUCHENIYE DEYSTVIYEL'NOY ZHESTKOSTI I PROCHNOSTI SOPRYAZHENIY BALOK S KOLONNAMI V  
RAMNYKH SISTEMAH. PAGE 34

SO: SBRNIK ANNOTATSIY NAUCHNO-ISSLEDOVATEL'SKIKH RABOT PO STROITEL'STVU,  
MOSCOW, 1958

MORACHEVSKIY, T. N.

"Experimental Investigation of the Rigidity of Joints in Steel Frameworks of Multistory Building." Sub 19 Jun 51, Moscow Order of the Labor Red Banner Construction Engineering Inst imeni V. V. Kuybyshev

Dissertations presented for science and engineering degrees in Moscow during 1951.

SO: Sum. No. 450, 9 May 55

MORACHEVSKIY, Taras Nikolayevich, kand.tekhn.nauk; POPOV, S.A., kand.  
tekhn.nauk, nauchnyy red.; YEGOROVA, M.O., red.isd-va; MEDVEDEV,  
L.Ya., tekhn.red.; GILMSON, P.G., tekhn.red.

[Using aluminum alloys in making construction elements] Pri-  
meneniye aluminiumykh splavov v stroitel'nykh konstruktsiyakh.  
Moskva, Gos.isd-vo lit-ry po stroit., arkhit. i stroit.mate-  
riyam, 1959. 130 p. (MIRA 12:8)  
(Aluminum alloys) (Aluminum, Structural)

KIRGANOV, Nikolay Mikhaylovich; LESSIG, Ye.N., kand.tekhn.nauk, retsentsent;  
MORACHEVSKIY, T.N., kand.tekhn.nauk, retsentsent; VOLKOV, A.G.,  
red.isd-va; KHIVYVA, Y.Ye., tekhn.red.

[Using aluminum alloys in construction; resumé of a lecture]  
Primenenie aluminievykh spлавov v stroitel'stve; konspekt lektsii.  
Voronezh, Izd-vo Voronezhskogo univ., 1960. 55 p. (MIRA 13:6)  
(Aluminum alloys)

ACCESSION NR: AT4010742

S/2839/63/000/002/0041/0047

AUTHOR: Morachevskiy, T. M. (Candidate of technical sciences)

TITLE: Study of the strength properties of the aluminum alloys AV-T1, AD33-T1, D16-T, and V92-T under high speeds of load application

SOURCE: ASIA SSSR. Institut stroitel'nykh konstruktsiy. Stroitel'nyye konstruktsii iz alyuminiyevykh splavov, no. 2, 1963, 41-47

TOPIC TAGS: aluminum alloy, aluminum alloy tensile strength, aluminum alloy bending strength, AV-T1 alloy, AD33-T1 alloy, D16-T alloy, V92-T alloy, alloy strength load speed dependence, Kater pendulum

ABSTRACT: The observed mechanical strength of materials is a function of the speed of application of the load. Information in the literature, however, concerning the changes in strength of aluminum alloys under various load application speeds is very limited. Consequently, the author investigated the strength properties of certain aluminum alloys designed for use in construction (AV-T1, AD33-T1, D16-T and V92-T). The V92-T alloy samples were in the form of 20-mm thick sheets; the others were in the form of pressed shapes with a beam thickness of more than 14 mm. Tensile strength tests were performed on cylindrical samples 5 mm in diameter and 50 mm in length; bend tests were made on prismatic samples with a

Card 1/6



ACCESSION NR: AT4010742

10X10 mm cross section with a 2X2 mm incision and distance between supports of 50 mm. A total of 130 samples were tested, of which three-fourths were shock-tested, while the remainder were studied under slow application of load. The dynamic tests were made on a type PSVD-1000 pendulum-type test instrument (Kater pendulum) (Figure 1), which has interchangeable devices for tensile-tests of cylindrical samples and bend tests of prismatic samples at not less than two different load (stress) speeds within the limits of the possible rate of fall of the pendulum (2 to 5 meters/second). The test results were recorded according to the final pendulum position, indicating the effort expended on the destruction of the sample, with simultaneous photography of the oscillograms reproducing the breakdown process. Figures 2 and 3 of the Enclosure show characteristic oscillograms obtained with the aid of this test arrangement. Static tests for tensile strength were conducted on an IM-4R machine with a deformation rate of 1.3 mm/min and with mechanical recording of the force-deformation diagram. Static bend tests were made on a ZPM (East German) device having a deformation speed of 0.6 mm/min and mechanical recording of the force-deformation diagram. It was found that under shock loads (stresses) the strength properties of aluminum alloys of different types change differently. When testing the samples for tensile strength, a maximum increase in the safety factor ( $k_s$ ) was obtained for alloys of medium strength AV-T1 and AD33-T1, for which  $k_s \approx 1.25$  at  $t_{max}$  (time elapsing from the beginning of the application of the load to the moment it reaches its greatest value) = 1.3-1.5 micro-

Card 2/6

ACCESSION NR: AT4010742

seconds. For high-strength alloy D16-T and self-hardening alloy V92-T, the strength increase factor was considerably lower, and at  $f_{max} = 1.4-2.1$  microseconds is only 1.03-1.0). The  $k_s$  factors obtained on the basis of the bend-test results were close to those for tensile strength tests. The yield point factors  $k_y$ , characterizing the increase in the yield point limit under shock loads, in the case of the AV-T1 and AD33-T1 alloys had values close to the  $k_s$  for these same alloys; for D16-T and V92-T, the  $k_y$  factors were found to be higher than the  $k_s$  (1.15 and 1.36, respectively). Original article has: 2 tables and 6 figures.

ASSOCIATION: Institut stroitel'nykh konstruksiy, ASIA SSSR (Institute of Building Construction, Academy of Construction and Architecture, SSSR.

SUBMITTED: 00

DATE ACQ: 17Jan64

ENCL: 03

SUB CODR: ML

NO REF SOV: 000

OTHER: 000

Card 3/6

VOSKRUBSHENSKIY, A.I.; MORACHEVSKIY, V.G.; NIKANDROV, V.Ya.

Use of dry ice for cloud dispersal in the Arctic. Probl. Arkt.  
no.2:133-139 '57. (MIRA 11:12)  
(Dry ice) (Arctic regions--Weather control)

*Morachevskiy, V G.*

SOV-26-58-9-14/42

AUTHOR: Shtal', V.A., Candidate of Geographical Sciences; ~~Morachevskiy, V.G.~~ Candidate of Physico-Mathematical Sciences (Leningrad)

TITLE: An Active Influence Upon the Weather (Aktivnoye vozdeystviye na pogody)

PERIODICAL: Priroda, 1958, <sup>4?</sup> Nr 9, pp 85-88 (USSR)

ABSTRACT: A survey is given of American, French and Japanese experiments and achievements in rain-making, weather modification and the warding-off of hail. The effect of the explosion of hydrogen bombs on the weather is doubted, as the speed of the explosion prevents any influence on the weather process beyond an area of 30 square km in the case of a single bomb. The effect of remaining ionized dust and other fall-out has not yet been sufficiently studied. Soviet research and experiments in weather modification for the benefit of agriculture and aviation is centered mainly in the Leningradskiy institut eksperimental'noy meteorologii /LIEM/ (Leningrad Institute of Experimental Meteorology), the Glavnaya geofizicheskaya observatoriya im. Voyeykova /GGO/ (Main Geophysical Observatory im. Voyeykov), the Tsentral'naya aerologicheskaya observatoriya/

Card 1/2

An Active Influence Upon the Weather

SOV-26-58-9-14/42

TsAO/ (Central Aerological Observatory), the Gosudarstvennyy nauchno-issledovatel'skiy institut Grazhdanskogo vozdušnogo flota (State Scientific Research Institute of the Commercial Air Lines) and other organizations. In 1949, Nikandrov, V.Ya. with his group succeeded in producing rain from cumulus and strato-cumulus clouds in 11 out of 15 trials. The methods employed are based on the artificial formation of crystallization nuclei by the spraying of CO<sub>2</sub>, AgI and other agents into clouds to effect a disintegration of the cloud. Dry ice for crystallization nuclei is used mostly. The prevention of hail formation was successfully tried in 1956. There are 5 photos and 8 references, 3 of which are Soviet.

1. Artificial precipitation
2. Meteorology

Card 2/2

85904

6.1130 (also 1093)

S/169/60/000/G11/013/016  
A005/A001

Translation from: Referativnyi zhurnal, Geofizika, 1960, No. 11, PR. 171 - 172,  
# 14499

AUTHORS: Morachevskiy, V.G., Nikandrov, V.Ya.

TITLE: The Effectiveness of CO<sub>2</sub>-Particles and AgI-Fume for the Dispersion  
of Supercooled Lower Clouds and Fogs

PERIODICAL: Tr. Arkt. i antarkt. n.-i. in-ta, 1959, Vol. 228, pp. 135-145

TEXT: The authors report briefly on the mechanism of the artificial crystal-  
lization of a supercooled droplet cloud or fog by means of dry carbon dioxide ice  
and AgI-fume. The appearance of crystals in the cloud causes the diffusion of the  
water vapor from the droplets to the crystals and leads to rapid growth of the  
latter, which causes the dispersion process of the cloud and fog. Twenty-five  
research flights were carried out for clarifying some questions of the application  
method of AgI and dry CO<sub>2</sub> during treatment the clouds and fogs with them; the  
flights served to determining the optimum expenditure of the reagent. The tests  
were performed in the Arctic region of Tadibe-Yakhi. The equipment and facilities

Card 1/3

85904

S/169/60/000/011/013/016  
A005/A001

The Effectiveness of CO<sub>2</sub>-Particles and AgI-Fume for the Dispersion of Supercooled Lower Clouds and Fogs

are described which were installed in the aircraft for producing the dry CO<sub>2</sub>-granules, the AgI-fume, and for photographing the clouds treated. Uniform inter-nal clouds with the vertical thickness up to 500 m were treated. The schemes are presented of sounding and flight during the action, and the course of maneuvering of the aircraft according to the scheme mentioned is described. A compilation table of the action results from 20 tests is added. On the basis of the data obtained, the authors conclude as follows: 1) the action of dry CO<sub>2</sub> upon clouds and fogs is ineffective at the temperature of the latter higher than -4°C; 2) the vertical maximum thickness of the cloud capable of being dispersed by spreading CO<sub>2</sub> from one level amounts to 600 m. It is pointed out that under arctic conditions an accelerated process of phase transformations in the clouds is observed in comparison with other regions; this is explained by the lower water content of the clouds. Data are presented which characterize the cloud transformation process until full destruction due to dry CO<sub>2</sub> treatment under various meteorological conditions. A graph is given of the dependence of the dry CO<sub>2</sub> expenditure per 1-km flight on the cloud thickness when treatment is performed from one level.

Card 2/3

85904

S/169/60/000/011/013/016  
A005/A001

The Effectiveness of CO<sub>2</sub>-Particles and AgI-Fume for the Dispersion of Supercooled Lower Clouds and Fogs

A table is presented of the specific CO<sub>2</sub> dosages applied by various investigators in dependence on the cloud thickness. The results of two tests are described in detail, which were performed in the Chelyuskin Cape region, and conclusions are drawn from the results of all other tests. One of the tests on the action of AgI upon layered clouds in the Tadibe-Yakhi region is described more in detail. Micro-photographs are presented of the ice crystal samples in a layered cloud after the treatment of a supercooled cloud with AgI-fume.

V.A. Sorochan

Translator's note: This is the full translation of the original Russian abstract.

Card 3/3



85905

61130 (also 1093)

S/169/60/000/011/014/016  
A005/A001

Translation from: Referativnyy zhurnal, Geofizika, 1960, No. 11, p. 172, # 14500

AUTHORS: Voskresenskiy, A.I., Morachevskiy, V.G.

TITLE: The Equipment for the Treatment of Supercooled Clouds and Fogs From an Aircraft

PERIODICAL: Tr. Arkt. i antarkt. n.-i. in-ta, 1959, Vol. 228, pp. 155-161

TEXT: An aircraft fume-generator and the unit producing dry CO<sub>2</sub>-granules immediately from balloons, installed in the aircraft are described. In an introduction, the present generators for sublimating AgI and the units for granulating dry CO<sub>2</sub> are reviewed. Their disadvantages and the requirements are considered which must be met by the modern units. The AgI-fume generator developed by the authors in 1956 is described in detail. The fundamental schematic diagram and the technical data of the generator are presented as well as the thermal balance of the device and the absolute values of the heat consumption in kcal/hour. The operational principle is described of the unit for producing granules of dry CO<sub>2</sub> directly from liquid CO<sub>2</sub> by throttling the latter through a delivery throttling

Card 1/2

85905

S/169/60/000/011/014/016  
A005/A001

The Equipment for the Treatment of Supercooled Clouds and Fogs From an Aircraft

ring with continuous pressure drop in the diffuser, which leads to the formation of a solid-particle stream out of the aircraft; the particles are sphere-shaped mainly with a radius of 0.4 - 0.6 cm. The size distribution curve is added of the CO<sub>2</sub>-granules obtained from the airborne unit, and the unit operation duration is stated depending on the output and the quantity of the balloons with liquid CO<sub>2</sub> engaged simultaneously. The authors assume that it is expedient to install the developed aircraft fume-generator and the airborne unit for producing dry CO<sub>2</sub>-granules in the aircraft of ice survey for the purpose of dispersing the lower clouds and fogs in the Arctic region.

V.A. Sorochan

Translator's note: This is the full translation of the original Russian abstract.

Card 2/2

S/049/60/000/01/012/027  
E201/E191

AUTHORS: Dergach, A.L., Zabrodskiy, G.M., and Morachevskiy, V.G.

TITLE: The Results of Combined Investigations of the St-Sc  
Clouds and of Fog in the Arctic

PERIODICAL: Izvestiya Akademii nauk SSSR, Seriya geofizicheskaya,  
1960, No 1, pp 107-114

TEXT: A 1956 summer expedition to the Central Arctica investigated the microphysical structure of clouds and fog. The present paper reports the results of simultaneous measurements of the water content of stratus clouds and their humidity, temperature, transparency and the drop-size distribution. Seventy vertical soundings were carried out in St-Sc clouds and in fog and measurements of the drop size were made at height intervals of 20, 50 and 100 m. Some horizontal measurements of cloudiness were also carried out. An IL-12 aircraft made 37 flights over the shores and water area of the Karsk Sea. Temperatures were measured by means of a screened thermometer in the aircraft with an automatic recorder K4-5M (this instrument was used also to record the air pressure). Temperature was measured also (together with humidity)

Card 1/3

8/049/60/000/01/012/027  
E201/E191

The Results of Combined Investigations of the St-Sc Clouds and of Fog in the Arctic

using a thermohygrometer LO-3<sup>21</sup>. The water content was found using Zaytsev's instrument (Ref 2). Drops were measured by micro-photography (Refs 1, 3), with a magnification of 300. A new photoelectric instrument SIP-3<sup>24</sup> (Fig 1) was used to measure the transparency of clouds in the visible region. The instrument SIP-3 measured the meteorological visibility range between 26 and 500 m with an error not exceeding 20% (when its geometrical base was 13 m). The data obtained were analysed and the results are given in Figs 2-6. The vertical distribution of the water content ( $q$ , g/m<sup>3</sup>) and the visibility range ( $S$ , m) in fog are shown in Fig 2. Fig 3 gives the size histograms of the fog drops. The vertical distributions of the water content ( $q$ ), the visibility range ( $S$ ) and temperature ( $t$ , °C) for stratus clouds are given in Fig 4, and for strato-cumulus clouds in Figs 5 and 6 (Fig 5 includes also the effective dimensions of drops). In stratus and strato-cumulus clouds, whose vertical thickness was of the order

Card 2/3 ✓

S/049/60/000/01/012/027  
E201/E191

The Results of Combined Investigations of the St-Sc Clouds and of  
Fog in the Arctic

of 200-300 m, the drop dimensions were practically constant throughout the clouds. It is pointed out that, since the aerosol traps did not catch the smaller drops (especially in "rarefied" clouds), the quoted data for stratus clouds and for fog are less reliable than those for strato-cumulus clouds. There are 6 figures, 1 table and 7 references: 6 Soviet and 1 English.

SUBMITTED: February 25, 1959

Card 3/3

✓

KONDRAT'YEV, K.Ya., prof., red.; PARASH'KOVY, V.G., doc., red.;  
TSAR'KOVA, Z.I., red.

[Problems in atmospheric physics] Problemy fiziki atmosfery. No.2. 1963. 190 p. (MIRA 17:7)

1. Leningrad. Universitet.

PIRYUKHIN, B.V.; MORACHEVSKIY, V.G.; ORLOVA, M.N.

Evaporation rate of droplets of aqueous solutions of surface-  
active agents. Probl. fiz. atm. no.2:142-150 '63.

(MIRA 17:5)

ACCESSION NR: AT4033375

S/2960/63/000/002/0151/0154

AUTHOR: Korachevskiy, V. G.; Shinyayev, B. M.

TITLE: Experimental investigation of the value of the evaporation coefficient for aqueous solutions of surface-active materials

SOURCE: Leningrad. Universitet. Problemy\* fiziki atmosfery\*, no. 2, 1963, 151-154

TOPIC TAGS: meteorology, surface-active material, atmospheric physics, evaporation coefficient, cloud physics, cloud dispersal, fog dispersal, cloud evaporation rate, chemical cloud dispersal

ABSTRACT: Investigation of the kinetics of evaporation and condensation of aqueous solutions of surface-active materials are of interest because of their possible use as reagents for the dispersal of clouds and fogs. The authors have used the T. Alty method for determination of the evaporation rate of pure water (Phil. mag, vol. 15, No. 82, 1933; Proc. Roy. Soc., vol. 149, No. 104, 1935) in an experimental investigation of the evaporation coefficients of several types of aqueous solutions of surface-active materials. Description of the apparatus used, which involved a force pump, manometer, and thermostat, is limited to two sentences and a photograph. The first step in the experiment was to determine the coefficient of evaporation of water. Five experiments were made, giving a mean value of the coefficient  $\alpha = 0.0368$ , which agrees well with Alty's value ( $\alpha = 0.037$ ). This was

Card 1/2



ACCESSION NR: AT4G33375

followed by measurement of the evaporation coefficient of two bromides of an ammonium amide base with the radicals  $R = C_2H_5$ ,  $R = C_3H_7$ , in the form of solutions with concentrations of 0.1, 0.25, 0.5, and 1% by weight. Five or six measurements of the evaporation coefficient were made for each concentration of the solution. The results revealed that with an increase in the concentration the evaporation coefficient attains a minimum value at a concentration of 0.25-0.5% and thereafter does not change. This can mean that a further increase in concentration does not influence surface properties. The derived decrease in the evaporation coefficient does not correspond numerically to the decrease in the evaporation rate of these solutions. Orig. art. has: 2 figures, 2 formulas, and 2 tables. ✓

ASSOCIATION: Leningradskiy gosudarstvennyy universitet (Leningrad State University)

SUBMITTED: 00

ATD PRESS: 1072

ENCL: 00

SUB CODE: ES

NO REF SOV: 004

OTHER: 004

Card 2/2



03/13/2001

ACCESSION NR: AI403377

curve was recorded by an EPP-03 electronic potentiometer. About 400 experiments were made with 20 types of surface-active and hygroscopic substances. The article, which gives the results for water vapor concentration of 0.001-0.01 by volume. Investigations revealed that surface-active materials also have a desiccative effect on a delat. Data on the desiccative effect of the surface-active must be taken from a log to induce its dispersal rather it possible to determine the amount of reagent which must be present in a given volume. The article has 10 figures and 1 table.

Leningradskiy gosudarstvennyy universitet (Leningrad State Univer-

NO

DATE ACQ: 21Apr64

ENCL: 00

ENC

NO REF NUM: 001

OTHER: 000

ALTSYBEYEVA, A.I.; GOLUBEV, V.P.; MORACHEVSKIY, V.G.

Equilibrium elasticity of steam over a solution of surface-  
active agents. Probl. fiz. atm. no.2:187-191 '63. (MIRA 17:5)

KONDRAT'YEV, K.Ya., doktor fiz.-mat. nauk, prof.; KROSHKIN, M.G.,  
kand. fiz.-mat. nauk; MORACHEVSKIY, V.G., kand. fi-  
mat. nauk; FEDOROV, Ye.K., akademik, red., VETLOV, I.P.,  
kand. fiz.-mat. nauk, otv. red.; BOYKOVA, A.G., red.

[Our planet from space; an album of photographs] Nasha  
planeta iz kosmosa; al'bom fotografii. Leningrad, Gidro-  
meteoizdat, 1964. 50 p. (MIRA 18:2)

GAYVORONSKIY, I.I.; MORACHEVSKIY, V.G.

Conference on Cloud and Fog Modification. Izv. AN SSSR. Fiz.  
atm. i okean. 1 no.7:774-777 J1 '65. (MIRA 18:8)

YACHURIN, Lev Georgiyevich; MORACHEVSKIY, Vitaliy Georgiyevich;  
ZAKHAROVA, Z.I., Eds.

[Kinetics of phase transformations of water in the atmosphere]  
Kinetika fazovykh perekhodov vody v atmosfere. Leningrad,  
Izd-vo Leningr. univ., 1969. 143 p. (MIRA 18:8)

ACC NR: AP7010688

SOURCE CODE: UR/0362/67/003/00:/0105/0107

AUTHOR: Korachevskiy, V. G.

ORG: Leningrad Hydrometeorological Institute (Leningradskiy gidrometeorologicheskii Institut)

TITLE: Activity of AgI Particles as ice-forming nuclei

SOURCE: AN SSSR. Izvestiya. Fizika atmosfery i okeana, v. 3, no. 1, 1967, 105-107

TOPIC TAGS: fog, silver iodide, aerosol

SUB CODE: 07

ABSTRACT: An experiment was carried out with particles of silver iodide tagged with atoms of radioactive iodine  $I^{131}$ . The objective was a study of the effectiveness of both ordinary AgI and tagged  $AgI^{131}$  particles. The two were sublimated under identical conditions and their crystalline structure was identical. This was confirmed by an electron microscope analysis of samples of the particles. The experiments were made in a cold chamber measuring 70 x 70 x 70 cm; temperature in the chamber was reduced to  $-15^{\circ}$ . The liquid water content of the fog, samples of drops and crystals were determined by ordinary methods; fog transparency was measured photoelectrically.

Card 1/2

UDC: 551.574.2  
2980 ice



ACC NR: AP7010688

Six series of experiments were made. It was found that the aerosol  $\text{AgI}^{131}$  lost its effectiveness as crystallization nuclei. Photographs are shown of crystals forming in the chamber at  $-19.0^{\circ}\text{C}$  for both  $\text{AgI}$  and  $\text{AgI}^{131}$ . A hypothesis is presented for explaining the decreased activity of particles of  $\text{I}^{131}$ . The author thanks R. A. Kaishev for discussion of the results of the experiment. Orig. art. has: 3 figures and 1 formula. [JPRS: 40,291]

Card 2/2

ACC NR: AT6021752

SOURCE CODE: UR/0000/66/000/000/0244/0250

AUTHOR: Morachevskiy, V. L.; Zorin, Ye. V.

ORG: none

TITLE: Power parameters and dynamic behavior of a multiple stage pneumatic drive for automatic systems

SOURCE: AN SSSR. Institut avtomatiki i telemekhaniki. Pnevmoavtomatika (Pneumatic automation). Moscow, Izd-vo Nauka, 1966, 244-250

TOPIC TAGS: pneumatic device, pneumatic control system, gas compressor, air temperature, heat exchanger, expanding gas

ABSTRACT: The efficiency and response of pneumatic drives can be improved through the use of multiple stage devices. The author describes one such system, and compares its efficiency and performance with ordinary single stage drives. The pneumatic drives are frequently incorporated in automatic control system as prime movers. In this application, the piston must be capable of stopping in any position upon receiving an appropriate command. The magnitude and the direction of the displacement are determined by the magnitude and the sign of this command. Compared to ordinary reciprocating internal combustion and steam engines, this operation is quite inefficient. For isothermal expansion, the efficiency of a common single stage pneumatic drive is given by

$$\eta_T = \frac{1 - \frac{1}{\epsilon_c}}{\ln \epsilon_c}$$

Card 1/4

CC NR: AT6021752

where  $\epsilon_c = P_c/P_1$  are the absolute pressure of the intake and the compressed air respectively. The closer the actual operation of the drive can approximate the isothermic conditions, the better the efficiency. Fig. 1. shows a diagram of a multiple stage pneumatic drive. The air is fed through a supply line from a compressor. The multiple stage drive consists of a number of single stage piston drives ( $C_1, C_2, C_n$ ), serially connected through expanders ( $P_2, P_3, P_n$ ). Each stage operates at a constant pressure difference and is supplied by compressed air, which passed through the preceding stage and expanded to a predetermined pressure in the expander. The air from the compressor enters air distributor ( $BP_1$ ) of the first stage. Rotating distribution valve ( $PO_1$ ) admits the air to cylinder ( $C_1$ ). The passive cylinder volume is connected to expander ( $P_2$ ) such that the same pressure, as in the expander is maintained in this portion of the cylinder. Pressure reduction valve ( $PK_2$ ) maintains the air pressure in the expander ( $P_2$ ) constant. The compressed air from ( $P_2$ ) feeds through distributor ( $BP_2$ ) to the next cylinder ( $C_2$ ), etc. Each consecutive cylinder has a larger diameter and greater piston area to generate identical force at reduced air pressure. All piston rods are connected to the same load and move synchronously. The air distributor drive operates all distributor rotating valves in synchronously, thus providing control over the direction and the magnitude of the output displacement. The efficiency of the multiple stage drive is given by

$$\eta_r = \frac{1 - \epsilon_c^{1/\gamma}}{\ln \epsilon_c} \alpha$$

an: 2/4

ACC NR: AT6021752

where  $a$  is the number of stages and

$$\epsilon_p = \frac{P_{e+1}}{P_i}$$

The computations show that a greater efficiency, economy and faster response are possible with the new drive. Performance graphs are included. Orig. art. has: 20 formulas, 5 figures.

Card 3/4

ACC NR: AT6021752

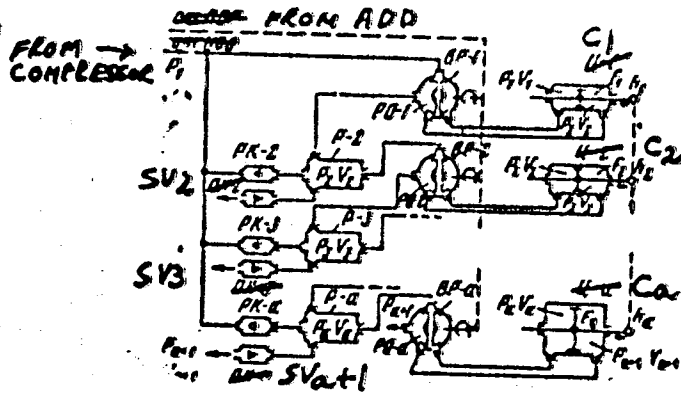


Fig. 1.

20  
WB CODE: 13.5/ SUBM DATE: 03Feb66/ ORIG REF: 004/ OTH REF: 000

Card 4/4

MORACHEVSKIY, Yu.B.; SAKHAROV, A.A.

Effect of tetravalent vanadium on the reduction of uranium on a dropping mercury electrode [with summary in English]. Zhur. anal. khim. 13 no. 4:457-463 JI-Ag '58. (MIRA 11:11)

1. Leningradskiy gosudarstvennyy universitet im. A.A. Zhdanova.  
(Uranium) (Vanadium) (Reduction, Electrolytic)

AFACHEVSKIY, Yu. V.

DECEASED  
c1961

1961/2

SEE ILC

CHEMISTRY

MORACHEVSKIY, Yu.V., red.; PETROVA, Ye.M., nauchn. sotr., red.

[Methods of analyzing brines and salts] Metody analiza rassolov i solei. Izd.3., ispr. Pod red. Yu.V.Morachevskogo i Ye.M.Petrovoi. Moskva, Khimiya, 1965. 403 p.  
(MIRA 19:1)

1. Leningrad. Vsesoyuznyy nauchno-issledovatel'skiy institut galurgii. 2. Vsesoyuznyy nauchno-issledovatel'skiy institut galurgii, Leningrad (for Petrova).



NIKOL'SKIY, B.P., glav. red.; GRIGOROV, O.N., doktor khim. nauk, red.;  
FORAY-KOSHITS, B.A., doktor khim. nauk, red.; ~~ROZIN, S.S.,~~  
~~red.~~; ROMANKOV, P.G., red.; FRIEDRINBERG,  
D.A., kand. khim. nauk, red.; RABIKOVICH, V.A., kand. khim.  
nauk, red.; RACHINSKIY, F.Yu., kand. khim. nauk, red.; ZAYDEL',  
A.N., doktor fiz.-mat. nauk, red.; ZASLAVSKIY, A.I., keni.khim.  
nauk, red.; MORACHEVSKIY, Yu.V., prof., red.; GRIVA, Z.I., red.;  
KOTS, V.A., red.; TOMARCHENKO, S.L., red.

[Chemist's handbook] Spravochnik khimika. 2., izd., perer. i  
dop. Moskva, Khimia. Vol.4. 1965. 919 p. (MIRA 19:1)

1. Chlen-korrespondent AN SSSR (for Nikol'skiy, Romankov).

CZYŻ, K., mgr.; KOZIOROWSKI, B., mgr.; MORACZEWSKI, J., mgr.

Characteristics of the water pollution in the Wieprz River. Gosp wodna  
21 no.11:510-512 N '61.

MORACZEWSKI, J.

Ecologic differentiation of the testacea fauna of the shallow coast of Mamry Lake. *Polskie arch hydrobiol* 10:333-353 '62.

1. Chaire d'hydrobiologie, Universite, Varsovie.

DOJLIDO, Jan, mgr inż.; MORACZEWSKI, Jerzy, mgr

Remarks on the environment conditions of the Zegrze lake during winter 1964. Gosp wodna 24 no. 4:160 Ap '64.

1. Department of Water Protection and Utilization, Institute of Water Management, Warsaw.

DOJLIEG, Jan: LOPAN... [unclear]

Information... of the Central... 7-195  
Jan 1955

... of ... management, ...

DOJLIDO, Jan, mgr inż.; MORACZEWSKI, Jerzy, mgr

Remarks on the conditions of the medium of the Zegrze Lake during the winter of 1964. Gosp wodna 24 no.10; Suppl: Biul inst gosp wodn 5 no.3:396 0 '64.

1. Department of Water Protection and Utilization, Institute of Water Management, Warsaw.

ACCESSION NR: AP4027175

F/0061/63/000/004/0085/0091

AUTHOR: Koraczewski, Marian (Captain, Engineer)

TITLE: Noctovision devices for carrying out combat operations at night and under poor visibility conditions

SOURCE: Przegląd wojsk lądowych, no. 4, 1963, 85-91

TOPIC TAGS: night combat operation, noctovision, noctovision device, image converter tube, small unit tactics, night troop training, infrared image converter, snooperscope, sniperscope, infrared viewing device, infrared transmitter, night direct fire control

ABSTRACT: Combat operations will assume an especial maneuvering character in future armed conflicts, in connection with which separate military units will have to know how to skillfully execute night marches under conditions of total darkness. They will also have to know how to carry out combat missions at various times of day or night and under poor visibility conditions caused by fog, blizzard, or smoke screen laid down by either friendly or enemy troops. Past experience shows that night operations are very difficult to execute. The majority of the troops are city-bred and are acclimated to lighted streets, with the result that they easily

Card 1/3

ACCESSION NR: AP402T175

lose their sense of direction during night operations. This deteriorates the combat readiness of the entire small unit participating in the operations. In order to offset this, modern armies are continually increasing the amount of technical equipment which aids in the carrying out of night operations. Their quality is also improving. Night viewing, or noctovision, devices are included in this group. Only infrared night viewing devices are presently being used, because devices operating in a radiation band of lesser wavelength or in ultraviolet have a shorter range. One of the basic parts of a night viewing device is a unit for the direct conversion of an invisible picture into one which the eye can see. This is the electron image converter tube. There are two basic tube types: the vacuum tube and semiconductor tube. The vacuum image converter tube has one fault in that it operates satisfactorily only in a radiation range not exceeding a wavelength of 1 micron. This type of wavelength is emitted by objects whose temperature exceeds 300C. Objects with a lower temperature have to be illuminated with an IR transmitter. This makes it easier for the enemy to pinpoint the noctovision position and engage it with fire. The semiconductor image converter tube is sensitive to IR waves of several microns in length. A special IR transmitter for illuminating the object is also necessary, although the transmission is not as intensive as in the case of the vacuum snooperscope. The range of vehicle-mounted noctoviewing devices is about 50 to 100 meters. Those intended for use with automatic weapons and individual small arms fire have a

Card 2/3



ACCESSION NR: AP4027175

range up to 200 meters. The snooperscopes used for artillery direct fire control and battlefield observations have the longest range, attaining about 600 meters. The power feed and transmitter units are very heavy. The service life of a tube in a xenon transmitter is about 1,000 hours. The diameter of a reflector of this type can be from 40 to 60 cm; the weight is from 50 to 70 kg. They can be readily detected by the enemy. The vehicle-mounted reflectors are powered by a 12 or 14 volt circuit; the individual ones are powered by a battery. Orig. art. has: 2 figures.

ASSOCIATION: none

SUBMITTED: 00

DATE AQ: 24Apr64

ENCL: 00

SUB CODE: AR,SD

NO REF SG: 000

OTHER: 000

Card 3/3

COUNTRY : Poland  
CATEGORY : Soil Science. Mineral Fertilizers.

AN. JOUR. : RURAL., No. 23 1968, No. 104464

AUTHOR : Moraczewski, Roman  
INSTIT. : Dept. of Meadows and Pastures, Higher School of Agriculture  
TITLE : Possibility of Deciding the Fertiliser Requirements of Meadow Soils by Analysis of Certain Grass Species

ORIG. PUB. : Roczn. nauk rolniczych, 1966, VII, No. 4, 1003-1044

ABSTRACT : In experiments made by the Department of Meadows and Pastures of the Higher School of Agriculture in Warsaw on mineral turf soil and on two peat bogs in which the effectiveness of fertilizers was studied, analyses were made of selected grasses: Dactylis glomerata, Festuca rubra, Anthoxanthum odoratum, Poa pratensis, Poa palustris, Festuca pratensis and Alopecurus pratensis; for mineral element content and fodder value. The greatest diversities in P and K content were found in the first three grasses, the least in the last. As a rule, on peat soils all grasses contained more K and less K and P than on mineral soil. The author gives the

Cards:

1/2

11

MORACZEWSKI, Z.

Determination of principal and turning points of an arc and definition of a central angle without using a theodolite. p. 104.  
(PRZEGLAD GEODEZYJNY Vol. 12, no. 3, Mar. 1956, Warsaw, Poland)

SO: Monthly List of East European Accessions (EEAL) LC, Vol. 6, No. 9 Sept. 1957 Uncl.

ARUTYUNYAN, V.M.; HORADYAN, R.V.

Asymptotic formulas for Jacobi's functions of the first and second order. Nauch. dokl. vys. shkoly; fiz.-mat. nauki no. 3:2-13 '80.  
(MIRA 12:7)

1. Moskovskiy gosudarstvennyy universitet im. K.V. Lomonosova.  
(Functions, Orthogonal)

LADYGINA-KOTS, Nadezhda Nikolayevna, doktor bioi. nauk (1887-1963);  
SHOROKHOVA, Ye.V., otv. red.; MGRAP. I.A., red.

[Prerequisites of human thinking; imitative construction by  
apes and children] Predposylki chelovecheskogo myshleniia;  
podrazhatel'noe konstruirovaniie obez'ianoi i det'mi. Moskva,  
Nauka, 1965. 108 p. (MIRA 18:5)

URBANSKI, T.; NOWAK, Z.; MORAG, E.

Formation of tetranitromethane from nitroform and nitril chloride.  
Biol chim PAN 11 no.2:77-78 '63.

1. Technical Military College, Warsaw.

KOVACS, Istvan; MORAI, Erno

Transport and storage of hides by pallet. Ber cipo 15 no.2:  
60-62 Kz 165.

1. Leather Industry Enterprise, Budapest.

MORRIS, CLARENCE

1. "Studies and the Importance in Pharmacology," Page 4, Journal of Pharmacy and Pharmacology, Vol. 1, 1951, pp. 1-10.

2. "Contributions to the Study of the Stability of Chopped Tablets," Journal of Pharmacy and Pharmacology, Vol. 1, 1951, pp. 11-15.

3. "Contributions to the Study of the Stability of Chopped Tablets and Solid Unit-dose Tablets," Journal of Pharmacy and Pharmacology, Vol. 1, 1951, pp. 16-20.

4. "The Relationship Between the Stability of Chopped Tablets and Solid Unit-dose Tablets," Journal of Pharmacy and Pharmacology, Vol. 1, 1951, pp. 21-25.

5. "Study of the Anticorrosive Action of Certain New Polymer-based Tablets (in Particular, the Tablets of the Type 'MORRIS' and 'MORRIS-2')," Journal of Pharmacy and Pharmacology, Vol. 1, 1951, pp. 26-30.

6. "Study of Certain Tablets for Various Tablets Substances with a Polymerized Action," Journal of Pharmacy and Pharmacology, Vol. 1, 1951, pp. 31-35.

7. "Contribution to the Study of the Group Content of Solid Tablets of Various Types," Journal of Pharmacy and Pharmacology, Vol. 1, 1951, pp. 36-40.

(RE)



*Morad, Sh.*

*Country: Romania*

*Academic Degrees: Prof.*

*Source: Bucharest, Zvezditsa No 5, N.Y. 62, pp 27-279.*

*Title: "Contributions to the Study of the Oxidation-Reduction Phenomenon. Part I. On So-Called Abnormalities of the Oxidation-Reduction Phenomenon."*

*Co-authors: K. K. IZ, Ch., Pharmacist. (Academic credentials not given.)*

MORAVI, Ch.

82

217

Moravits, Farmacia, Vol. 1, No. 1, May 62

1. "Comprehensive Determination of Veronal", Prof. Dr. M. Moravits, Pharm. J., 1962, No. 1, p. 11. (English Summary: Pharm. J., 1962, No. 1, p. 11.)
2. "Comprehensive Study of the Methods of Nitrobenzyl Determination in Veronal", Prof. Dr. M. Moravits, Pharm. J., 1962, No. 1, p. 12. (English Summary: Pharm. J., 1962, No. 1, p. 12.)
3. "Study of the Method of Nitrobenzyl Determination in Veronal", Prof. Dr. M. Moravits, Pharm. J., 1962, No. 1, p. 13. (English Summary: Pharm. J., 1962, No. 1, p. 13.)
4. "The Identification, Determination and Extraction of Veronal from Biological Materials", Prof. Dr. M. Moravits, Pharm. J., 1962, No. 1, p. 14. (English Summary: Pharm. J., 1962, No. 1, p. 14.)
5. "Contribution to the Study of Veronal in the Urine", Prof. Dr. M. Moravits, Pharm. J., 1962, No. 1, p. 15. (English Summary: Pharm. J., 1962, No. 1, p. 15.)

L 66068-66 T/EWP(t)/ETI IJP(c) JD

ACC NR: AF6034181

SOURCE CODE: RU/0017/66/000/003/0154/0156

AUTHOR: Horait, M. (Chemist); Mustacescu, Erika (Chemist)

23  
E

ORG.:  
Metallurgical Research Institute (Institutul de Cercetari Metalurgice).

TITLE: Tentative establishment of some correlations between the electrolytic solution method and the metallographic method of determining non-metallic inclusions in steels

18

SOURCE: Metallurgia, no. 3, 1966, 154-156

TOPIC TAGS: nonmetallic inclusion, metallography

ABSTRACT: [Authors' English summary modified]: The authors conclude from their tests that it is possible to establish a definite correlation between the results obtained by the two entirely different methods of determining nonmetallic inclusions in steel; this also confirms the objective nature of both methods. Orig. art. has: 1 figure

and 5 tables. [JPRS 36,867]

SUB CODE: 11 / SUBM DATE: none / ORIG REF: 002 / OTH REF: none

SOV REF: 002

Card 1/1 gl

UDG: 669.14:539.2-9.11620.18 0120 2736

DIMO, P., ing.; GROZA, L., ing.; MORAITI, G., ing.

Optimization of test conditions for the determination of the  
parameters of a network. Energetica Rum II no.3:117-129 Mr '63.

DIMO, P., MORAITÉ, G., ing.; HUCKERT, S., ing.

Correct calculation of short circuit currents with simultaneous determination of the REI diagrams, nodal images, and transfer admittances. Energetica Rum 11 no.9:476-481 S '63.

1. Membru corespondent al Academiei R.P.R. (for Dimo).

MORAITE, George, ing. (Bucuresti); GHEORGHIU, Mircea, ing. (Bucuresti)

Considerations on the behavior to false faults of the distance protection in the case of swinging phenomenon occurring in the generator rotors. Energetica Rum 10 no.7:276-280 JI '62.

1. Ingineri proiectanti sefi la Institutul de studii si proiectari energetice.

MORAITE, G., ing.

Problems of the control and selectivity of distance  
protection on branch lines. Energetica Rum 11 no.11:  
568-577 N '63.

DIMO, Paul; MORAITE, George

Analyzing a complex electropower system comprising four stations, by the nodal method of currents at short circuit (graphic solution). Energetica Rum 9 no.3:81-93 Mr '61



BORAK, Włodzimierz; MORAK, Bożena

Our experience with the application of group psychotherapy in a pediatric psychiatry department. (Preliminary communication). *Neurol. neurochir. psychiat. pol.* 13 no.4:527-533 '63.

1. Z Państwowego Szpitala dla Nerwowo i Psychicznie Chorych w Dziekanowie Dyrektor: lek. med. B. Szymborski.  
(CHILD PSYCHIATRY) (PSYCHOTHERAPY, GROUP)

MORAKHOVSKIY, V.M.

Composition and internal structure of granite-pegmatite bodies  
in the Mama-Chuya mica province. Zap. LOI 47 no.2:71-81 '64.  
(MIRA 18:3)

KORALOV, B.

36648. Zdanovskiy, K. i Korolov, B. Oborudovaniye na polnyy khod. (Ispol'zovaniye nevyvlennykh rezervov). Ill. S. vetersumb. Tekhnika ----- Molodezhi, 1949, no. 11, s. 12-13

SO: Letopis' Zhurnal' rusk Statey, Vol. 50, Moskva, 1949

USSR / Human and Animal Morphology (Normal and Pathological).  
Digestive System.

S

Abs Jour : Ref Zhur - Biologiya, No 9, 1958, No. 40738

Author : Kozlov, I. N.

Inst : Kuzek Medical Institute

Title : Histophysiological Investigations of Reactive Processes  
in the Pancreas Following Trauma

Orig Pub : Sb. tr. Kurskiy med. in-t, 1956, vyp 11, 346-349

Abstract : Within six hours following intense mechanical damage of the tail of the pancreas, one observes in it hemorrhage and edema of the connective tissue. In the islands, pyknosis of the nuclei is found, as well as shrinking of the protoplasm, and absence of differentiation into cells A and F. In the noninjured parts of the gland only an intense hyperemia and suppression of secretion is found. The injured section of the gland appears

Card 1/2

USSR / Human and Animal Morphology (Normal and Pathological).

S

Abstr Jour : Ref Zhur - Biologiya, No 9, 1958, No. 40738

necrotized on the second - third day. Following this  
manifestations of repair begin, ending in full regenera-  
tion. A weak leukocytic reaction is, according to the  
author, a characteristic of inflammation of the  
pancreas. -- Ie. V. Ryzhkov

Card 2/2

16

MORALEV, L. N., Cand Med Sci -- (diss) "Data <sup>for</sup> the problem of <sup>the</sup> reactivity  
of pancreatic tissues." Kursk, 1957. 14 pp (Acad Med Sci USSR), 200 copies  
(KL, 18-58, 103)

-117-

MORALEV, L.N., assistant

Posttraumatic inflammatory process in the pancreas. Sbor. trud.  
Kursk. gos. med. inst. no.13:129-133 '58. (MIRA 14:3)

1. Iz kafedry gistologii (iopol'yayushchiy obyzannosti sav. - dotsent  
Z.N. Gorbatsovich) Kurskogo gosudarstvennogo meditsinskogo inzituta.  
(PANCREAS-DISEASES)

MORALEV, V. M.

15-1957-7-9280

Translation from: Referativnyy zhurnal, Geologiya, 1957, Nr 7,  
pp 72-73 (USSR)

AUTHOR: Il'in, A. V., Moralev, V. M.

TITLE: Ferruginous Quartzites in Tuva (Zhelezistyye kvartzity  
v Tuve)

PERIODICAL: Tr. Vses. aerogol. tresta, 1956, vol 2, pp 80-81

ABSTRACT: Ferruginous quartzites, chiefly magnetite varieties, have been discovered in the western part of the Sangilen Nagor'ye (upland in southeastern Tuva) among Proterozoic rocks. In addition to quartz and magnetite, garnet, cummingtonite and, more rarely, common hornblende are frequently found in these rocks. The ferruginous quartzites are intimately associated with amphibolites and garnet amphibolites containing disseminations of magnetite; these rocks give way along the strike to the ferruginous quartzites. From a study of the geologic structure of western Sangilen and of the known outcrops of ferruginous

Card 1/2



15-1957-7-9280

Ferruginous Quartzites in Tuva (Cont.)

quartzites, the author draws the following conclusions: 1) the ferruginous quartzites are clearly restricted stratigraphically; 2) they are found in the Proterozoic deposits only where the facies-profile changes in the direction of greater abundance of primary elastic sediments (sediments in the uplift that formed in shallower water); 3) the association of ferruginous quartzites with amphibolites and the microscopic data from the latter lead one to assume an indirect genetic relationship between the ferruginous quartzites and volcanic activity; and 4) the degree of metamorphism of the ferruginous quartzites in western Sanglien is not uniform in different areas, but in general it is higher than in similar formations in Karsakpay and in western and southern Sayan. Some of these quartzites contain enough iron to meet modern technological requirements.

Card 2/2

S. P. Bryzgalina

~~MOBALNY, Y.M.~~

Types of ultrabasic intrusions of eastern Tuva. Study VAGT  
no.2:82-87 '56. (MLRA 10:5)  
(Tuva Autonomous Province--Rocks, Igneous)

KALEDA, G.A.; MORALEV, V.M.; VORONOV, V.M.; RATS, M.A.

Effect of admixtures on the recrystallisation of carbonate rocks.  
Trudy MGRI 33:149-158 '58. (MIRA 12:12)  
(Carbonates (Mineralogy)--Crystals)

SOV/20-127-1-46/65

3(5)  
AUTHOR: Moralev, V. M.

TITLE: The Age of Ultrabasic and Alkaline Rocks of the Aldanian Shield  
(Vozrast ul'traosnovnykh i shchelochnykh porod Aldanskogo  
shchita)

PERIODICAL: Doklady Akademii nauk SSSR, 1959, Vol 127, Nr 1, pp 168-169  
(USSR)

ABSTRACT: Several massifs formed by the rocks mentioned in the title were  
discovered by the geologists of the organizations of the  
Ministerstvo geologii i okhrany nedr (Ministry of Geology and  
Conservation of Natural Resources) in the course of aeromagnetic  
and geological surveying operations. Contradictory opinions were  
held regarding their age (V. V. Arkhangel'skaya, A. G. Kata,  
S. P. Stoyalov, Refs 1,3 et al, V. M. Moralev, N. D. Zlenko,  
A. A. Yel'yanov, N. N. Gerakov, Ref 2). New data obtained in  
1958 by N. D. Zlenko, L. I. Makhonina and A. N. Mil'te now make  
it possible to solve the hitherto pending problem mentioned in  
the title in a safe way. There is a peculiar domal structure  
in the Ingiliyskiy massif, in which a steep warping of the  
strata is observed around a Proterozoic core (simum). Its

Card 1/2

SOV/20-127-1-46/65

## The Age of Ultrabasic and Alkaline Rocks of the Aldanian Shield

bedding is, however, practically horizontal and quiet over huge areas of the bordering territories. The ijolite-melteigite massif lying in the central part of the dome is surrounded by a ring of nepheline, canorinite and other syenites containing veins of carbonatites. Elsewhere in the Aldanian shield quite a similar warping of the sedimentary sinium atrata, as above described, is observed in the Konderskiy massif of ultrabasic-alkaline rocks. The specific penetration mechanics of the intrusions in question is probably responsible for the formation of specific (domal) structures, which, by the way, are by no means typical of such intrusions. Thus, it is possible today to identify the age of the entire complex with utmost safety as a late-Sinian - Precambrian (predyidomskiy). Its full autonomy from both the geological and genetic point of view is thus proven. There are 5 Soviet references.

ASSOCIATION: Vsesoyuznyy aerogeologicheskii trust Ministerstva geologii i okhrany nedr SSSR (All-Union Aerological Trust of the Ministry of Geology and Conservation of Natural Resources, USSR)

PRESENTED: February 11, 1959, by N. M. Strakhov, Academician

SUBMITTED: February 7, 1959

Card 2/2

MORALEV, V.M.; POZHARITSKAYA, L.K.

Study of rare metal carbonatites. Rasved. i okh. nedr 26 no.6:8-14.  
Je '60. (MIRA 15:7)

1. Vsesoyuznyy aerogeologicheskyy trest Ministerstva geologii i okhrany nedr ~~SSSR~~ (for Moralev).
2. Vsesoyuznyy nauchno-issledovatel'skiy institut mineral'nogo syr'ya (for Pozharitskaya).  
(Carbonatites)

MORALEV, V.M.; NUZHNOV, S.V.

Prospects for oil in the late Pre-Cambrian sediments in the middle Mayya River. *Izv. vys. ucheb. zav.; geol. i razv.* 4 no.1:20-24 Ja '61. (MIRA 14:7)

1. Aldanskaya eksped'tsiya Vsesoyuznogo aerogeologicheskogo tresta Ministerstva geologii i okhrany nedr SSSR. (Mayya valley--Petroleum geology)

MORALEV, V.M.; STAVTSEV, A.L.

Basic tectonic features of the eastern margin of the Aldan Shield  
and adjacent areas. Trudy VAGT no.7:5-13 '61. (MIRA 14:7)  
(Aldan Plateau—Geology, Structural)



YEL'YANOV, A.A.; MORALEV, V.M.

Recent data on the age of ultrabasic and alkaline rocks of the Aldan Shield. Dokl. AN SSSR 141 no.3:687-689 K '61. (MIRA 14:11)

1. Aldanskaya ekspeditsiya Vsesoyuznogo aerogeologicheskogo tresta. Predstavleno akademikom D.S. Korzhinskiy.  
(Aldan Plateau—Rocks, Igneous)

ALEKSEYEV, V.R.; GAVRILOVA, Z.S.; KALIMULIN, S.M.; MORALEV, V.M.;  
RUZHNOV, S.V.; SHPAK, N.S.

Problem of the ancient rare metal placers of the eastern  
part of the Aldan Plateau. Dokl.AN SSSR 144 no.2:409-411 14  
'62. (MIRA 15:5)

1. Aldanskaya ekspeditsiya Vsesoyuznogo aerogeologicheskogo  
tresta. Predstavleno akademikom N.M.Strakhovym.  
(Aldan Plateau--rare earth metals) (Geological time)

IL'IN, A.V.; MORALEV, V.M.

Pre-Cambrian formations in the Altai-Sayan area. Sov. geol.  
6 no.11:51-57 N '63. (MIRA 17:1)

I. Vsesoyuznyy aerogeologicheskij trust.

BATURIN, V.V., glav. red.; BRYUKHANOV, V.N., red.; TSIKHEL', L.M.,  
red. VOSKRESENKIY, Ye.N., red.; IL'INA, N.S., red.;  
LEONOV, B.N., red.; LUNGERSGAUZEN, G.F., red.; ILSHAYA,  
V.M., red.; MORALEV, V.I., red.; RAKOVETS, O.A., red.

[Methods for the interpretation of the materials of aerial  
photography in geological studies; materials] Metody de-  
shifirovaniia aerofotomaterialov pri geologicheskikh is-  
sledovaniyakh; materialy. Glav. red. V.V. Baturin, V.N.  
Bryukhanov, L.M. Tsikhel'. Moskva, Izd-vo "Nedra," 1964.  
150 p. (MIRA 17:7)

1. Vsesoyuznyy seminar po geologicheskomu deshifirovaniyu  
pri geologicheskikh issledovaniyakh, Moscow, 1961.

МЕРАЛОВА, Н. А.

Meraleva, N. A. -- "Lexical Shortcomings in the Written Work of Students of the Fifth Class and Methods of Finding and Correcting Them" Academy of Pedagogical Sciences USSR. Science Inst of Teaching Methods. Moscow, 1956. (Dissertation for the Degree of Candidate in Pedagogical Science)

Co: Enishnava Letopis, No. 12, 1956

MORALEVICH, A.

Alumina and therafit. Isobr.i rats. no.5:5 My '62. (MIRA 15:5)

1. Spetsial'nyy korrespondent zhurnala "Isobretatel' i ratsionalizator",  
Vladivostok.

(Aluminotherapy)

MORALHVICH, A.G., insh.; POPOV, Ye.D., insh.

More about hydraulic pumps of M-153 excavators. Mekh. stroi. 17  
no.12:19-20 D '60. (MIRA 13:12)  
(Excavating machinery) (Pumping machinery)

YEMIN, Vladimir Iosifovich; GERICVIN, L.I., retsenzent; AKH.OV,  
P.P., prof., nauchn. red.; MORALEVICH, O.D., red.

[Arrangement and design of marine steam boilers] Komponentka  
i raschet morskikh parovykh kotlov. Moskva, Transport,  
1964. 319 p. (MIRA 17:9)



MORALEVICH, Yu., inzhener.

Tasks of the masters of precision. Tekhn.mol.33 no.4:11-13 4p '54.  
(MLRA 7:4)  
(Machine-shop practice)

MORALNYICH, Yuriy Aleksandrovich; ORLOV, V., redaktor; TROYANOVSKAYA, N.,  
tekhnicheskiy redaktor

[Conquerors of space] Pokoriteli prostranstva. Moskva, Gos. izd-vo  
polit. lit-ry, 1956. 99 p. (MIRA 9:10)  
(Transportation)

*MORALEVICH YU.*  
AUTHOR: Moralevich, Yu., Engineer 25-10-37/41

TITLE: Engineering during the 6th Five-Year Plan (Tekhnika shestoy pyatiletki)

PERIODICAL: Nauka i Zhizn', 1957, # 10, pp 61-62 (USSR)

ABSTRACT: The publishing house TsK VLKSM "Molodaya Gvardiya" started to issue a new series of books dealing with the various items of the 6th Five-Year plan. The author gives a short survey on five of these books: The founding of steel is discussed in "Stal'noy potok" (The flow of steel) by I. Peshkin. The books "Teplovozy" (Locomotives) by L. Gumilevskiy and "Lokomotivy bol'shikh dorog" (Long Distance Locomotives) by G. Kulikovskaya deal with the development and electrification of railways. A. Zayats in his book "Vintokryly" (Helicopters) points out new aspects in aviation. G. I. Babat, Russian scientist and Doctor of Technical Sciences, wrote "Uskoriteli" (Accelerators), a book dealing with the importance of accelerators for making peaceful use of atomic energy.

The series will be continued by further publication of books relating to the 6th Five-Year plan, such as "Vtoraya Luna" (The Second Moon), "V nebe "TY-104" (TU-104 in the

Card 1/2

Engineering during the 6th Five-Year Plan

25-10-37/41

Sky) "Ognenny vikhrl" (Fire Vortex) dealing with jet engines,  
and "Lenin".

AVAILABLE: Library of Congress

Card 2/2

Моральвич, Ю. С.

MORALVICH, Yu., inzh.

Model of interplanetary ship. Tekh. wcl. 25 no.11:37 N '57.  
(Rockets (Astronautics)--Models) (MLRA 10:11)

AUTHOR: Moralevich, Yu., Engineer NOV/29-58-7-7/23

TITLE: The Most Simple Wind-Driven Electric Station (Prosteysnaya vetroelektrostantsiya)

PERIODICAL: Tekhnika molodezhi, 1958, Nr 7, pp. 8-9, continued p. 31 (USSR)

ABSTRACT: Already in prehistoric times Man knew how to utilize windpower for his own ends. Windmills have been improved more and more. The evaluation coefficient of a modern windmill motor is about 30%. The most difficult and most complicated part of a windmill motor is the wind wheel. The author of this article describes the production of a windmill motor which is a light amateur-made device. This simple motor can be used above all for a small electric station. According to whether an auto- or tractor generator is available, it is possible to supply one or several houses with electric light. For this purpose 6- and 12 Volt electric bulbs for automobiles are used. The motor can also be used for the purpose of driving a hand-operated pump of the "Al'veyer" type or of some other system. The dimensions of the wind wheel, which must have a certain capacity, can be calculated according to the very simple formula:

Card 1/2

The Most Simple Wind-Driven Electric Station

10/29-58-7-7/23

$N = \frac{D^2}{10}$ . There follows the description of the wind wheel. Before it is finally mounted it must first be accurately balanced, because otherwise disagreeable vibrations may be caused which would render the entire device useless within a very short time. It is not possible to establish direct connection between the electric main and the generator, because the light would flicker. It is essential to use accumulators of 6 or 12 Volts according to the voltage. At the same time an auto- or tractor reverse-current relay must be connected. It is advisable to have 2 or 3 accumulators, for this would make it possible to accumulate a considerable amount of current by alternative connection. In this way the house would have a sufficient supply of electric light and the radio receiving set could be kept going. For the purpose of driving a pump the windmill motor would have to be subjected to some alterations. There are 2 figures and 1 table.

1. Windmills--Design
2. Windmills--Performance
3. Windmills--Applications
4. Electric motors--Applications

Card 2/2

AUTHOR: Moralevich, Yu., Engineer, Special Correspondent 29-3-25  
of the "Tekhnika molodezhi", Leningrad.

TITLE: The Birth of the Atomic Icebreaker  
(Rozhdeniye atomnogo ledokola)

PERIODICAL: Tekhnika Molodezhi, 1958, V. 26, Nr 3, pp. 6-7 (USSR).

ABSTRACT: The hull was composed in the shipyard of many tons of heavy structural steel in the course of a few months and was subsequently welded electrically. The whole hull has not a single rivet. Partition walls were erected in the interior of the hull which divide the whole vessel into a vast number of individual cells amongst which are quite small rooms, but also large halls. The ship will include 900 individual rooms altogether - thus being a swimming town. Propeller shafts, as well as various equipments and machinery were still mounted on the shipyard: Generators, pumps, pipe-lines. The blade of an ear which has to stand great stresses is a very important part. It weighs 30 tons. A whole brigade under supervision of brigadier N. Vagin toiled at this blade. The hull is 134 m long and 27 m wide. The height is that of a five-storey house. The launching took place on December 5, viz. on the constitution day of the USSR.

Card 1/3



The Birth of the Atomic Icebreaker

29-3-4/25

The ship was docked at a pier where its construction will be completed. A few days after the launching, a swimming crane brought a 5-storey-house, viz. the main superstructure and put it on the upper deck from "bird's-eye-view". While the main superstructure was set up, fixed and installed, the second part of the superstructure was built on a pontoon, beside the icebreaker. The interior accommodation of the unusual high and large living-rooms is carried out with much care and attention. An one-man cabin, e. g. is 8 m<sup>2</sup> of seize. It is furnished like a first-class hotel room which represents a comfortable working- and living-room during day-time. A leverage actuation at night will be sufficient to put a comfortable bed, which is accommodated in a secluded niche, at the disposal of the inhabitant of the cabin. Two-man cabins, as well as the dining-room and the saloons are equipped with the same care. The latter are spacious and as high as the halls in a good club. The author also inspected the room where the atomic reactor will be located. This room is large and of great depth and reaches up to the upper deck. It is in a distance of only a few meters from the living-rooms. But, since it is surrounded by a reliable protection, it is not more dangerous than a steam-boiler. The circulating water will produce in the steam generators the steam required for the

Card 2/3

The Birth of the Atomic Icebreaker

29-3-4/25

turbines. The turbines, on the other hand, drive the generators which supply the electric propeller motors with current. This current would be sufficient to supply a motor of 44,000 HP. Hundreds of the leading enterprises of the Soviet Union deem it an honor to supply material the first atomic icebreaker. The whole lot of her equipments, installations, machinery and apparatus are finished with greatest care and precision. There is 1 figure.

AVAILABLE: Library of Congress.

1. Icebreakers - Atomic powered - USSR
2. Atomic energy - Applications
3. Reactors (Shipborne) - USSR
4. Ships - Design - USSR

Card 3/3

~~MORALEVICH, Yuriy Aleksandrovich; KOVSHOVA, O.N., red.; LEBKDEV, O.S..~~  
~~MIR, red.~~

[World of plastics] Mir plastmass. Moskva, Gos.izd-vo "Detalii  
mir" M-va kul'tury RSFSR, 1959. 69 p. (MIRA 12:12)  
(Plastics)

MOHALYVICH, Yu., insh.

Journey into a miraculous world. IUn. tekhn. 4 no.9:2-9  
8 '59. (MIRA 12:12)  
(Moscow--Exhibitions)