

K

USSR / Forestry. Forest Cultures.

Abs Jour : Ref Zhur - Biologiya, No 18, 1958, No. 82218

Author : Rakhteyenko, I. N.  
Inst : Institute of Biology, Acad. Sci. Belorussian SSR  
Title : Question of Recognition of Interspecific and Intra-specific Relationships Among Woody Plants

Orig Pub : Byul. In-ta biol. AN BSSR, vyp 2, 1956 (1957), 24-30

Abstract : In Moskovskaya, Minskaya, and Chkalovskaya Oblasts, in the Ukraine, and in Belorussia pure and mixed cultures were planted (1946 - 1952). Variants of the mixed cultures were: oak with maple, oak with linden, pine with spruce, birch and Siberian Peashrub, larch and spruce, larch and linden, and spruce and birch. Results of the study showed that growth of the plants according to height, diameter, and mass in a majority of the variants of mixed cultures was significantly higher than in the pure

Card 1/2

K

Abs Jour : Ref Zhur - Biologiya, No 18, 1958, No. 82218

cultures. Accretion of the organic mass was 30 - 80% greater in the mixed plantations. The root systems of the tree species in the mixed cultures penetrated deeper into the soil and spread more uniformly. Root coalescence in a single species up to 10 years of age was not of a large-scale character. Root systems had different periods and capacities of absorption and liberation of individual nutrient elements. This permitted variations in the mixed cultures to be selected which created favorable conditions for their growth and development. -- O. N. Fedotova

Card 2/2

USSR/General Biology - Evolution.

B

Abs Jour : Ref Zhur Biol., No 6, 1959, 23708

Author : Rakhtseyenka, I.N.

Inst :

Title : Experimental Study of Interspecies and Intraspecies  
Correlations Among Arboraceous Plants.

Orig Pub : Izv. AN BSSR, Ser. biol. n., 1957, No 4, 55-63

Abstract : It was established that the growth, development, and stability to unfavorable conditions in youth (to 10 years) is better in mixed cultures than in pure cultures, since in the former a more favorable water and nourishment system is created, the root systems develop better, and the roots of separate varieties penetrate deeper into the soil. The influence of arboraceous plants on each other was most noticeable manifested on the productivity of cultures. In the majority of variations of mixed cultures 30-80% more of organic mass grew up per unit of platform

Card 1/2

- 39 -

**RAKHTSEYENKO, I.N.** [Rakhtseenka, I.N.]

Development of absorbing roots in woody plants as affected by soil  
moisture and temperature during the growing period. Vestsi AN  
BSSR. Ser. bial. nav. no. 2:44-50 '58. (MIRA 11:8)  
(Roots(Botany))  
(Soil moisture)  
(Soil temperature)  
(Trees)

RAKHTEYENKO, I.N.; KROT, L.A.

Seasonal rhythm in the growth of active roots of woody plants  
at different soil depths. Biol.Inst.biol.AN BSSR no.3:157-160  
'58. (MIRA 13:7)

(ROOTS (BOTANY))

RAKHTEYENKO, I.N.

Seasonal cycle of the absorption and secretion of mineral nutrients  
by the roots of woody plants. Fiziol.rast. 5 no.5:447-450 5-0  
' 58. (MIRA 11:11)

1. Institut biologii AN Belorusskoy SSR, Minsk.  
(Forest ecology) (Roots (Botany)) (Plants, Effect of phosphorus on)

RAKHUYENKO, I.N.

Translocation of mineral nutrients among plants through interacting  
root systems, Bot. zhur. 43 no. 5:695-701 My '58. (MIRA 11:7)

1. Institut biologii Akademii nauk Belorysskoy SSR, Minsk.  
(Plants, Motion of fluids in)  
(Roots(Botany))

RAKHTEYENKO, I.N.

Life span of the active roots of trees. Sbor.nauch.rab.Bel.ctd.VBO  
no.1:130-137 '59. (MIRA 14:4)

(Trees) (Roots (Botany))

RAKHTEYENKO, I.N.

Role of separate parts of the root system in plant nutrition. Dokl.AN BSSR 3 no.11:468-471 N '59.  
(MIRA 13:4)

1. Predstavleno akademikom AN BSSR T.N.Godnevyam.  
(Roots(Botany)) (Plants--Nutrition))



RAKHEYENKO, I.N.; KROT, L.A.

Foliar feeding of green plantings in the early spring. Biol.  
Inst. biol. AN BSSR no.5:82-86 '60. (MIRA 14:7)  
(~~TREES~~-FERTILIZERS AND MANURES)

RAKHTEYENKO, I. N.

Doc Biol Sci - (diss) "Growth and interactions of cortical systems of tree plants in forest plantings." Minsk, 1961. 37 pp with illustrations; (Academy of Sciences USSR, Botany Inst imeni V. L. Komarov); 300 copies; price not given; list of author's works on pp 35-37 (26 entries); (KL, 6-61 sup, 205)

RAKHEYENKO, I.N.; KOCHANOVSKIY, S.B.; IVANCHENKO, V.M.

Absorption of tagged phosphorus by individual parts of aerial  
organs in woody plants. Sbor. nauch. rab. Bel. otd. ~~№~~ no.3:  
116-121 '61. (MIRA 14:12)  
(Trees--Physiology) (Phosphorus--Isotopes)

RAKHEYENKO, I.N.; KROT, L.A.

Effect of various methods of watering on the growth of  
physiologically active roots. Biul. Inst. biol. AN BSSR  
no.6:56-58 '61. (MIRA 15:3)

(ROOTS (BOTANY))  
(PLANTS--WATER REQUIREMENTS)

YURKEVICH, I.D., red.; NESTEROVICH, N.D., red.; BAKHTEYENKO, I.N.,  
red.; MIKHAYLOVSKAYA, V.A., red.; KRUGANOVA, Ye.A., red.;  
ZAYTSEVA, T., red. izd-va; TURTSEVICH, L., tekhn. red.

[Experimental botany] Eksperimental'naya botanika. Minsk,  
Izd-vo Akad. nauk BSSR, 1962. 115 p. (MIRA 15:8)

1. Akademiya nauk BSSR, Minsk. Institut biologii.  
(Botany)

RAKHTEYENKO, I.N.; YURKEVICH, I.D., akademik, red.; MANINA, L.,  
red.izd-va; KOVALENKO, A., tekhn. red.

[Growth and interrelations of the root systems of woody  
plants] Rost i vzaimodeistvie kornevykh sistem drevesnykh  
rastenii. Minsk, Izd-vo AN BSSR, 1963. 253 p.

(MIRA 17:1)

1. Akademiya nauk Belorusskoy SSR (for Yurkevich).

RAKHTEYENKO, I.N. [Rakhtseenka, I.N.]; KOCHANOVSKIY, S.B. [Kochanovski,  
S.B.]

Effect of the air balance of soil on the vital activity of  
root systems. Vestsi AN BSSR, Ser. biial. nav. no.3:14-23 '63  
(MIRA 17:7)

PAKHTEYENKO, I.M.; BOGOMOLOVSKIY, S.M.; KROU, L.A.

Effect of soil moisture balance on the growth and condition  
of woody plants. Bot.; issl. Bel. otd. VPO no.5:205-210 '63.  
(MIRA 17:5)



RAKHTEYENKO, I.N.; KOCHANOVSKIY, S.B.

Water balance and mineral nutrition of the small-level linden  
planted in streets. Biul. Glav. bot. sada. no.49:42-47 '63.  
(MIRA 16:8)

1. Institut biologii Akademii nauk Belorusskoy SSR, Minsk.  
(Minsk--Plants--Nutrition)  
(Minsk--Linden--Water requirements)

YURKEVICH, I.D., red.; MIKHAYLOVSKAYA, V.A., red.; NESTEROVICH,  
N.D., red.; RAKHTEYENKO, I.N., red.; SMOLYAK, L.P.,  
red.; YAKUSHEV, B.I., red.

[Effect of soil conditions on the growth of woody plants]  
Vliianie pochvennykh uslovii na rost drevesnykh rastenii.  
Minsk, Izd-vo "Nauka i tekhnika," 1964. 113 p.  
(MIRA 17:5)

RAKHTEYENKO, I.N.; KOCHANOVSKIY, S.B.

Ways of improving the growth conditions of ornamental woody plants in  
street plantings. Bot.; issl. Bel. otd. VBO no.6:227-235 '64.

(MIRA 18:7)

RAKHTSYENKO, I.N.; KOCHANOVSKIY, S.B.

Improving the growth conditions of woody plants in street plantings.  
Blu. Glav. bot. sada no.57:44-49 '65. (MIRA 12:9)

1. Institut eksperimental'noy botaniki i mikrobiologii AN BSSR,  
Minsk.

RAKHTEYENKO, I.N. [Rakhtseenka, I.N.]; YAKUSHEV, B.I. [Iakushau, B.I.]

Ecological conditions of the growth of small-leaved linden in  
city parks and methods for their improvement. Vestsi AN BSSR.  
Ser. biial. nav. no.3:29-34 '65. (MIRA 18:11)

MAKHTYVENKO, I.N.; KOCHANOVSKIY, S.B.

Dependence of the vital activities of the root systems of trees  
on the aeration conditions. Fiziol.rast. 12 no.4:597-605 J1-Ag  
1965. (MIRA 18:12)

I. Institut botaniki i mikrobiologii AN BSSR, Minsk. Submitted  
April 6, 1963.

PAHTEYENKO, L.I. [Rakhtseenka, L.I.]

Growth of some tree seedlings under the effect of presowing  
treatment of seeds with microelements. Vestsi AN BSSP. Ser.  
biial. nav. no.2:21-26 '65. (MIRA 18:12)

BAKHUBA, K.; LINKOVICH, I.; PROT'KO, S.; KAZACHONAK, V., redaktor;  
~~STSYAPANOVA, N., tekhnicheskiiy redaktor~~

[Minsk Province agricultural exhibition of 1954] Minskais ablasnaia  
sel'skohaospadarchnaia vystavka 1954 goda. Minsk, Dsiarzh, vyd-va  
BSSR, 1955. 133 p. (MLRA 10:1)  
(Minsk--Agricultural exhibitions)



GURTOVENKO, E.A.; RAKHUBOVSKIY, A.S.

Emission edge of hydrogen filaments. Izv. Glav. astron. obser.  
AN USSR 5 no.1:68-92 '63. (MIRA 16:6)  
(Sun--Observation)

RAKHUBOVSKIY, A.S.; DIDYCHENKO, Ye.I.

Solar flares observed at the Main Astronomical Observatory of  
the Academy of Sciences of the Ukrainian S.S.R. from 1957 to  
1960. Izv. Glav. astron. obser. AN URSR 4 no.2:77-112 '62.

(MIRA 15:11)

(Sun--Observation)

S/214/62/000/003/002/004  
IO46/I246

AUTHORS: Gurtovenko, E.A. and Rakhubovsky, A.S.

TITLE: Filament contrast variation between the center and the limb on the solar disc

SOURCE: Solnechnyye dannyye, no.3, 1962, 56-61

TEXT: Allowing for the limb darkening of the undisturbed chromosphere, the author obtains the following expression for the luminance of any solar formation as a function of the angular distance  $\theta$  from the center:

$$I_f = 0.55 \cdot 10^6 (E_f/E_u) \gamma(\theta) \text{ erg.cm}^{-2} \cdot \text{sec}^{-1} \cdot \text{sterad}^{-1}$$

where  $E_f, E_u$  are luminance of the formation and the undisturbed

Card 1/3

Filament contrast variation...

S/214/62/000/003/002/004  
I046/I246

the drop in filament luminance is somewhat more rapid. Since application of the idealized equation (7) gives  $\tau_0 \text{ eff} = 0.8$  at variance with actual optical thickness of protuberance in the  $H_\alpha$  line, the observed luminance drop near the limb is only partially, if at all, explained by the simplified curtain model; comprehensive interpretation of the  $I_f(\sin \theta)$  curve should allow for the inhomogeneous structure of solar formations. There are 3 figures.

ASSOCIATION: Glavnaya astronomicheskaya observatoriya Akademii nauk USSR (Main Astronomical Observatory AS UkrSSR)

Card 3/3

ACC NR: AR6035296

SOURCE CODE: UR/0 69/66/000/009/0052/0052

AUTHOR: Gurtovenko, E. A. ; Rakhubovskiy, A. S.

TITLE: Change in solar prominence characteristics during the sunspot cycle,  
Part 1. Balmer lines of hydrogen

SOURCE: Ref. zh. Astronomiya, Abs. 9.51.442

REF SOURCE: Solnechnyye dannyye, no. 9, 1965, 49-56

TOPIC TAGS: solar prominence, solar activity, sunspot cycle, astronomic  
observatory, hydrogen line

ABSTRACT: An attempt has been made to investigate the behavior of the Balmer decrement in the solar-prominence spectrum during the sunspot cycle. Spectrograms are developed for a number of solar prominences observed in 1957—1964 at the Main Astronomical Observatory, Academy of Sciences, Ukrainian SSR, as well as at the Kiev University observatory. Use was also made of results of observations of other authors (1952—1959). It was found that the available data are not sufficient for reliable conclusions. The preliminary results indicated that

Card 1/2

UDC: 523:77

ACC NR: AR6035296

during maximum solar activity, the intensity of the  $H\alpha-H\delta$  line is considerably higher than during the minimum, and that the change in the decrement is insignificant for the  $H\beta-H\delta$  line. Bibliography contains 23 titles. [Translation of abstract] [NT]

SUB CODE: 03/

Card 2/2

L 45727-65 EED-2/EEC(k)-2/EWT(d)/EWP(1) Pg-4/Pk-4/Pq-4 IJP(c)  
GG/BB/GS

ACCESSION NR: AT5011619

UR/0000/64/000/000/0463/0467

AUTHOR: Kan, Ya. S.; Krut'ko, Ye. G.; Rakhubovskiy, V.A.

TITLE: Elements and digital computer circuits based on cryotrons

42  
BT

SOURCE: Vsesoyuznoye soveshchaniye po magnitnym elementam avtomatiki, telemekhaniki, izmeritel'noy i vychislitel'noy tekhniki. Lvov, 1962. Magnitnyye elementy avtomatiki, telemekhaniki, izmeritel'noy i vychislitel'noy tekhniki (Magnetic elements of automatic control, remote control, measurement and computer engineering); trudy soveshchaniya. Kiev, Naukova dumka, 1964, 463-467

TOPIC TAGS: cryotron element, cryotron memory element, logical element, cryotron summator, digital computer

160

ABSTRACT: Since cryotrons have a small scattering power, are absolutely reliable, and are long lived, they can compete successfully with other types of elements utilized in digital computer. The article describes and discusses 1. memory elements and matrices (Proc. IRE, N 4, 482, 1956; Low temperature physics and chemistry 232); 2. Kirchoff's semisummator; 3. a combination semisummator; 4. a simultaneous multiplying device; 5. a displacement recorder; and 6. logical elements. Orig. art. has: 7 figures.

Card 1/2

L 45727-65

ACCESSION NR: AT5011619

ASSOCIATION: none

SUBMITTED: 29Sep64

NO REF SOV: 000

ENCL: 00

SUB CODE: DP

OTHER: 004

Card

2/2

B5B



L 2092-66 EWT(d)/ENP(1) IJP(c) BB/GG

ACCESSION NR: AP5023273

UR/0302/65/000/003/0033/0034  
621.374.328:537.312.62

AUTHOR: Kan, Ya. S.<sup>44</sup> (Candidate of physico-mathematical sciences); Rakhubovskiy, I. V. A.

TITLE: Multiple-winding cryotron — a general-purpose logic element

SOURCE: Avtomatika i priborostroyeniye, no. 3, 1965, 33-34

TOPIC TAGS: cryogenic circuit, cryotron logic circuit, computer technology

ABSTRACT: If an extra bias winding is added to a cryotron with multiple windings, the element may perform logical operations. Depending on the relative direction and the magnitude of the control and bias currents, the modified cryotron may perform OR, EXCLUSIVE OR, AND, NOR, and NAND operations. The last two are the most practicable. A 4-bit adder using 3-winding lead-tin cryotrons was constructed and tested at the Physicotechnical Institute, Academy of Sciences UkrSSR<sup>44</sup>. Adder speed was increased by a factor of two over the normal. The cryotrons used had time constants of 250  $\mu$ sec at an ambient temperature of 3.6K. The bias and control currents were 250 mamp  $\pm$  20%. Orig. art. has: 3 figures. [BD]

ASSOCIATION: none  
Card 1/2

L 2092-66

ACCESSION NR: AP5023273

SUBMITTED: 00

ENCL: 00

SUB CODE: DP, EC

NO REF SOV: 000

OTHER: 000

ATD PRESS: 4113

Card 2/2

*of*

L 54560-65 EWT(1)/EWA(h) Pn-4/Feb/Pi-4  
ACCESSION NR: AP5015333

UR/0286/65/000/009/0090/0090  
681.142 69

19  
B

AUTHOR: Kan, Ya. S.; Rakhubovskiy, V. A.

TITLE: Frequency controlled cryotron relaxation oscillator. <sup>25</sup> Class 42, No. 170748

SOURCE: Byulleten' izobreteniy i tovarnykh znakov, no. 9, 1965, 90

TOPIC TAGS: controlled frequency oscillator, cryotron oscillator, relaxation oscillator, cryotron

ABSTRACT: To achieve frequency control independent of power supply, each cryotron of the proposed relaxation oscillator contains superconducting windings. The windings are connected in series and also connected to the control current source.  
Orig. art. has: 1 figure. [DW]

ASSOCIATION: Fiziko-tehnicheskiy institut AN UkrSSR (Physicotechnical Institute, AN UkrSSR)

SUBMITTED: 10Feb64

ENCL: 00

SUB CODE: EC

NO REF SOV: 000

OTHER: 000

ATD PRESS: 4028

Card 1/1

I-7720-66 EWT(d)/EWT(1)/EE<sup>C</sup>(k)=2/EPF(n)=2/T/ETC(m) IJP(c) WW

ACC NR: AP5026496

SOURCE CODE: UR/0286/65/000/019/0027/0027

INVENTOR: Voytovich, I. D.; Rakhubovskiy, V. A.

ORG: none

TITLE: Cryotron oscillator of relaxation oscillations. Class 21, No. 175088

SOURCE: Byulleten' izobreteniy i tovarnykh znakov, no. 19, 1965, 27

TOPIC TAGS: relaxation oscillator, cryotron, cryogenic circuit

ABSTRACT: In the proposed oscillator, (see figure), the signals are picked up by a

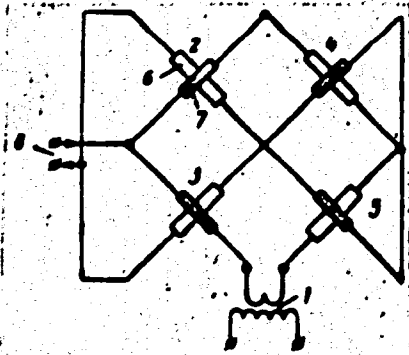


Fig. 1. Cryotron relaxation oscillator

1 - Step-up transformer; 2-5 - cryotrons; 6 - rectifier; 7 - winding; 8 - supply voltage.

Card 1/2

UDC: 621.373.431.2

0701 2072

I 7720-66  
ACC NR: AP5026496

step-up transformer or a cryotron connected with an arm of the oscillator. To increase oscillation frequency, improve temperature sensitivity, and simplify the device, four cryotrons are used to form two stages. The feedback between the second and first stages is realized by cross connections between the output rectifiers and the input windings. A d-c supply voltage is connected between the stages. Orig. art. has: 1 figure. (DW)

SUB CODE: EC/ SUBM DATE: 06Aug62/ ATD PRESS: 4141

3/2 *del*

L 4966-66 EMT(1)/EWA(h)  
ACC NR: AP5026972

SOURCE CODE: UR/0103/65/026/010/1884/1886

AUTHOR: Kan, Ya. S. (Khar'kov); Rakhubovskiy, V. A. (Khar'kov)

20  
B

ORG: none

TITLE: The use of cryotron converters in studies of cryotron circuits

SOURCE: Avtomatika i telemekhanika, v. 26, no. 10, 1965, 1884-1886

TOPIC TAGS: voltage converter, cryotron converter, cryotron circuit, switching time

ABSTRACT: A cryotron converter of constant low voltages of the order of  $10^{-5}$  v into variable voltages of the order of  $10^{-2}$  v is described. Basically, the converter consists of a cryotron oscillator and a cryotron connected in parallel to the input of the oscillator (see Fig. 1). The converter was used to determine both the static

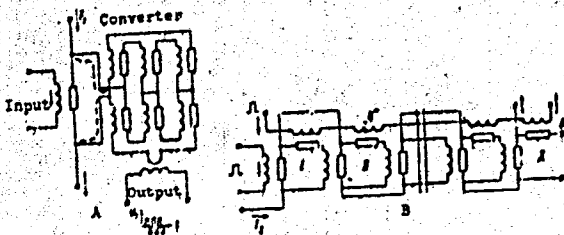


Fig. 1. Cryotron converter (A) and cryotron circuit (B)

Card 1/2

UDC: 621.374.328:537.312.62

07011219

L 4966-36  
ACC NR: AP5026972

time constant  $\tau$  of an elementary cryotron cell and the switching time of some of the simplest cryotron circuits. The average switching time of a single cryotron cell for supply currents ranging from 230 to 330 mamp depended only slightly on current. For example, for a current of 280 mamp, average switching time was 100  $\mu$ sec. Thus, it was experimentally demonstrated that the static time constant  $\tau$  of elementary cryotron cells for a wide range of currents can be used to determine the switching time of cryotron circuits. Orig. art. has: 4 figures. [JR]

SUB CODE: EC/ SUBM DATE: 18Sep64/ OTH REF: 003/ ATD PRESS: 4137

*MLM*  
Card 2/2

L 21394-66 EWT(1)/EWA(h)  
ACC NR: AP6007848 SOURCE CODE: UR/0120/66/000/001/0221/0222

AUTHOR: Kan, Ya. S.; Rakhubovskiy, V. A.

ORG: Physicotechnical Institute, AN UkrSSR, Kharkov (Fiziko-tekhnicheskii institut AN UkrSSR)

TITLE: Cryotron relaxation oscillator with frequency oscillator

SOURCE: Pribory i tekhnika eksperimenta, no. 1, 1966, 211-211

TOPIC TAGS: cryogenic circuit, ammeter, relaxation oscillator

ABSTRACT: The relaxation oscillator shown in the figure is based on two-winding lead-tin cryotrons. The nominal output frequency of the oscillator is established by the gate current (terminals 7) and may be varied by the application of the control current (terminal 14). Since the control current flows through superconducting wires, the oscillator may be used as an ammeter for superconducting circuits. The current to be measured will change the output frequency of the oscillator by an amount linearly related to the magnitude of the control (measured) current. The cryotrons used in the circuit have  $R = 10^{-4}$  ohm and  $L = 10^{-8}$  h. The sensitivity of the circuit is

Card 1/2

UDC: 537.312.62:621.373.43



L-21394-66  
ACC NR: AP6007848

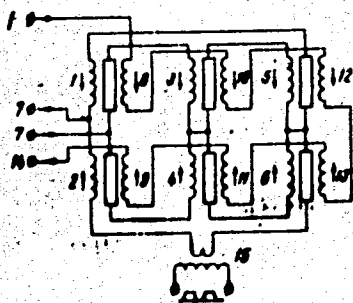


Fig. 1. Cryotron relaxation oscillator

given as 1 mamp/cps in the range of 50 mamp. Both the sensitivity and the range may be varied by changing the density of the control windings. Orig. art. has: 3 figures. [BD]

SUB CODE: 09/ SUBM DATE: 24Jan65/ OTH REF: 002/ ATD PRESS 221

Card 2/2 UVR

L 37926-66 ENT(d)/ENT(1)/ENT(m)/ESP(y)/ESP(t)/ETI/ESP(k) (1)  
ACC NR: AP6022044 SOURCE CODE: UR/0120/66/000/003/0228/0229

AUTHOR: Kan, Ya. S.; Rakhubovskiy, V. A.

ORG: Physico-Technical Institute, AN UkrSSR. Khar'kov (Fiziko-tekhnicheskij institut AN UkrSSR)

TITLE: Cryotron relaxation oscillator as a thermometer

SOURCE: Pribery i tekhnika eksperimenta, no. 3, 1966, 228-229

TOPIC TAGS: thermometer, cryotron, relaxation oscillator

ABSTRACT: A possibility is demonstrated of using the cryotron relaxation oscillator as a liquid-He thermometer. As the frequency of a cryotron relaxation oscillator (such as described by M. L. Cohen et al., Proc. IRE, 1960, 9, 1575) operated at a constant current depends on the ambient temperature, the oscillator can serve as a low-temperature thermometer. The sensitivity of such a thermometer proved to be about 0.0003K/cps in the neighborhood of 3.5K. A formula is developed for calculating the liquid-He temperature from the observed frequency of the relaxation oscillator. Orig. art. has: 2 figures, 1 formula, and 1 table. [03]

SUB CODE: 20, 09 / SUBM DATE: 03Jun65 / ORIG REF: 000 / OTH REF: 001

Card 1/1

UDC: 621.374.328:537.312.62:536.5

ACC NR: AP7004264 (A) SOURCE CODE: UR/0432/66/000/003/0019/0023

AUTHOR: Kan, Ya. S. (Candidate of physico-mathematical sciences);  
Mikhaylov, G. S. (Candidate of technical sciences); Rakhubovskiy, V. A.

ORG: none

TITLE: A model of a cryotron digital computer with programmed control

SOURCE: Mekhanizatsiya 1 avtomatizatsiya upravleniya, no. 3, 1966,  
19-23

TOPIC TAGS: cryogenic computer, computer design

ABSTRACT: A small-scale model of a cryotron computer was built and tested at the Physico-technical Institute of the Academy of Sciences UkrSSR. The model contained only essential blocks such as the arithmetic unit, number memory unit, instruction memory with machine halt unit, control unit, and an I/O unit. The model could add, subtract, and multiply 4-bit (including sign bit) words in fixed-point notation. Instructions were of the three-address type, and the memory unit was random-access. The computer was built using 504 lead-tin wire cryotrons mounted on micarta cards. Three tests lasting 11, 17, and 21 hours were made during which every 3 hours the machine was stopped

Card 1/2

ACC NR: AP7004264

while liquid helium was added. No malfunctions were encountered. Certain simple algorithms were tried out using eight 9-bit instructions. It was established that multiplication required 3 sec and subtraction 5 sec of machine time; clock period was therefore made equal to 6 sec. The authors state that the test conditions were not optimal in the sense of maximum speed, and propose certain modifications which would bring the computing speed into the megacycle clock-frequency range. Orig. art. has: 2 figures.

[WA-81]  
[BD]

SUB CODE: 09/ SUBM DATE: none/ ORIG REF: 004/ OTH REF: 001

Cord 2/2

UDC: 681.142.6:537.312.62

RAKHUBOVSKIY, Yu., mekhanik

Towing equipment for damaged automobiles. Avt.transp. 37 no.3:43  
Mr '59. (MIRA 12:4)

1. L'vovskiy taksomotorny park.  
(Automobiles--Apparatus and supplies)

ACC NR: AP6028814

(A)

SOURCE CODE: UR/0113/66/000/008/0004/0007

AUTHOR: Rakhubovskiy, Yu. S.

ORG: Noril'skiy Mining and Metallurgical Combine im. A. P. Zavenyagin (Noril'skiy gorno-metallurgicheskiy kombinat)

TITLE: Durability of V-type automotive diesel engines operating under the conditions of the Far North

SOURCE: Avtomobil'naya promyshlennost', no. 8, 1966, 4-7

TOPIC TAGS: diesel engine, vehicle engineering, mechanical engineering, vehicle engine, mechanical failure, durability / 43 Tatra 111S diesel engine, 176 D12A diesel engine, mechanical failure, durability / 43 Tatra 111S diesel engine, 176 D12A diesel engine

ABSTRACT: Based on statistical data on the operation of the 176 D12A liquid-cooled and the 43 Tatra 111S air-cooled automotive diesel engines in the Far North during the years 1958—1965, their durability and their mathematical expectancy service life were investigated. The average durability of both types of engines did not differ significantly; however, the maximum-service expectancy of the Tatra 111S engine proved much higher than that of the D12A engine. Service life depended on temperature variations of the surrounding air, increasing at higher temperatures and vice versa. Since the undercooling of engines during cold weather results in increased corrosion, their durability is determined by the corrosion rate of their cylinder-piston group. By stabilizing the optimum thermal conditions during the cold period, the durability of half of the diesels in operation can be increased

Card 1/2

UDC: 621.431.73:620.169.1

ACC NR: AP6028814

over the previous standard by 20—35%. Automobiles and other ground vehicles operating in the Far North must be provided with sealed engine compartments and a device for stabilizing the optimum thermal conditions within a -70 to +30C-temperature range of the surrounding air. Orig. art. has: 3 figures and 2 tables.

SUB CODE: 13/ SUBM DATE: none/ ORIG REF: 004

Card 2/2

ACC NR: AP7006773

SOURCE CODE: UR/0102/00/000/000/0000/0000

AUTHOR: Voytovych, I. D. -- Voytovich, I. D. (Kiev-Khar'kov); Ksa, Ya. S. (Kiev-Khar'kov); Rakhubovs'kyi, V. A. -- Rakhubovskiy, V. A. (Kiev-Khar'kov)

ORG: none

TITLE: Analysis of a cryotron memory circuit with many stable states

SOURCE: Avtomatyka, no. 6, 1966, 65-69

TOPIC TAGS: memory access technique, electromagnetic memory, digital system, digital analog converter, cryotron circuit *electronic circuit*

ABSTRACT: A cryotron memory cell which determines the number of pulses fed to its input by the value of the current persisting in it, was designed (see Fig. 1). In Fig. 1,  $K_1$  and  $K_2$  are working cryotrons;  $K_3$  is the indicating cryotron;  $L_1$  and  $L_2$  are inductances of arms  $abcd$  and  $acfd$ , respectively (it is set that  $L_1 = L_2 = L$ );  $L_3$  is the inductance of arm  $akld$ ;  $R_1$  and  $R_2$  are resistivities of cryotron tubes  $K_1$  and  $K_2$  in normal state (it is set that  $R_1 = R_2 = R$ ). The transitory processes were analyzed, and the dependence of the number of states from the mesh current  $I_0^{(0)}$ , when  $\beta = 0.81$ ,  $i_{cr}^{(1)} = 150$  ma, and  $T = 3.6^\circ\text{K}$  was calculated and tabulated; here,

$$\beta = \frac{L_3}{L_3 + L}$$

Card 1/2



ACC NR: AP7006773

The theoretical analysis of the cell's operation is in good agreement with the experimental data. One of the suggested applications is in a cryotronic pulse counter operating as a digital-to-analog converter (converting the number of input pulses into the resistivities of the cryotron tube  $K_3$ , or its grid current). Orig. art. has: 5 formulas, 3 figures, 2 tables.

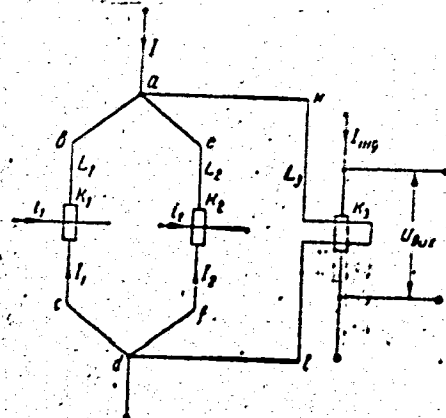


Fig. 1. Block diagram of the basic cryotron cell.

SUB CODE: 09/

SUBM DATE: 23Oct65/

ORIG REF: 001/

OTH REF: 002

SHCHERBAKOV, R. N.; RAKHULA, M. O.

Equiaffine theory of a nonholonomic manifold. Izv. AN SSSR Ser. Mat. 16:2-89  
'62. (MIRA 17:1)

RAKHULA, M.O.

On a sheaf of straight lines and planes which is associated with the frame of reference of a line on the surface. Izv. vys. ucheb. zav.; mat. no.1:124-134 '63. (MIRA 16:5)

1. Tomskiy gosudarstvennyy universitet imeni V.V.Kuybysheva.  
(Geometry, Differential--Projective)

MAKHAN, P.L.

MAKHAN, P.L. - "Ekspertiza na prevaritelnon delo" (Expert examination in the preliminary investigation) in Sotsialisticheskaya Zakonnost', Nr. 5, 1961.

175  
027.010  
.05

LG

RAKHUNOV, R.D.

(Roman Davidovich)

"Preliminary Investigations in Soviet Criminal Trials," (Dissertations),  
Academic degree of Doctor in Juridical Sciences, based on his defense, 1  
March 1954, in the Council of the All-Union Inst of Juridical Sciences,

-M- 3,054,778, 2 Oct 57

NAME, ...

BAKHINOV, R.B. - Teoriya i praktika eksperticy v sovetskoy uplovnoy protseesse (Theory and practice of Expert Examination in Soviet Criminal Procedure). 1950.

INS  
927.640  
.05

LC

RAKHUOYA, E. [Rahuoja, E.]; TOOMELA, P. (UR2BL); KALLASTE, A. (UR2CW)

Our activity, plans, and suggestions. Radio no.2:15-16  
F '60. (MIRA 13:5)

1. Nachal'nik respublikanskogo radiokluba Dobrovol'nogo  
obshchestva sodeystviya armii, aviatsii i flotu Estonskoy SSR (for  
Rakhuoya). 2. Predsedatel' soveta respublikanskogo radiokluba  
Dobrovol'nogo obshchestva sodeystviya armii, aviatsii i flotu  
Estonskoy SSR (for Toomela). 3. Chlen seksii korotkikh voln i  
ul'tra korotkikh voln respublikanskogo radiokluba Dobrovol'nogo  
obshchestva sodeystviya armii, aviatsii i flotu Estonskoy SSR  
(for Kallaste).

(Radio stations, Shortwave)

RAKHUTIN, S.Ya.; DIK, Ya.G.; GARKOV, B.F.

Method of calculating the economic efficiency of using rod  
bolting. Nauch. trudy KNIUI no.14:330-333 '64. (MIRA 18:4)



DIK, Ya.G.; RAKHUTIN, S.Ya.; PERMYAKOV, N.I.

Using models to investigate the performance of red boating.  
Nauch. trudy KNIPI no.14:298-306 '64. (MIRA 18:4)

RAKHUTIN, S.Ya., PIR, Ya.G.

Methods of calculating the parameters of rod bolting. Nauch. study  
KNIVV no.14.306-315 '64.

Using optical methods to investigate the spacing of rod bolting  
in development workings. Ibid. 315-321 (MIRA 18:4)

YAROVY, A.P.; NEKRASOVSKIY, Ya.E.; LOKSHIN, P.S.; RAKHUTIN, V.S.

Mechanization of coal extraction by means of KMS small-range plows  
in mining steeply dipping Donets Basin seams. Ugol' 37 no.3:29-31  
Mr '62. (MIRA 15:2)

1. 3-ye shakhtoupravleniye tresta Ordzhonikidzeugol' (for Yarovoy).
2. Dnepropetrovskiy gornyy institut im. Artema (for Nekrasovskiy,  
Lokshin, Rakhutin).

(Donets Basin--Coal mining machinery)

NEKRASOVICH, Ya. S.; LUKASHIN, B. S.; RAKHITIN, V. I.; MACHENKO, N. I.

Complex of small-size coal pieces for re-mining and refining  
of steep thin coal seams. Izv. VNIIG 42:134-139 164.  
(MIRA 18:11)

*RAKHVALOV N.S.*  
BORTS, M.G.; KROPANIN, M.T.; SYTNIK, G.K. [deceased]; RAKHVALOV, N.S. [deceased]

Fifteenth anniversary of the Chelyabinsk Forging and Pressing Plant.  
Avt.1 trakt.prom. no.11:44-45 N '57. (MIRA 10:12)

1. Kuznechno--pressovyy zavod, Chelyabinsk.  
(Chelyabinsk--Forging) (Chelyabinsk--Sheet-metal work)

SVESHNIKOVA, A.I., kand. veter. nauk; TARKHANEV, P.P., kandid. vet. nauk;  
BAKHVALOV, Ye.M. (Omskaya oblast'); ARTYEMOV, A.I. (Omskaya  
oblast'); BELYAYEV, V.I. (Omskaya oblast')

Testing trienlorometaphos-3 against warble flies. Veterinariia  
42 no.11:49-50 N '65. (MIRA 19:1)

I. Sverdlovskaya nauchno-issledovatel'skaya veterinarnaya  
stantsiya (for Sveshnikova, Tarkhaneyev).

KONYAKHIN, I.R.; MITROFANOV, B.P.; RAKHVALOVA, G.A.; TSUKUBLINA, K.N.

Determination of the hardness and some other mechanical characteristics of materials by compressing conical specimens.  
Zav.lab. 30 no.4:485-486 '64. (MIRA 17:4)

1. Tomskiy politekhnicheskii institut.

L 35982-66 EWT(d)/EWP(1) IJP(c) GG/BB

ACC NR: AP6008517

SOURCE CODE: UR/0280/66/000/001/0041/0045

AUTHOR: Rakhval'skiy, V. M. (Moscow) 49  
P

ORG: None

TITLE: Acceleration of the simulation process in the evaluation of the effectiveness and the reliability of complex systems by the statistical test method.

SOURCE: AN SSSR. Izvestiya. Tekhnicheskaya kibernetika, no. 1, 1966, 41-45

TOPIC TAGS: digital computer, computer application, computer simulation, system reliability

ABSTRACT: The author defines complex systems as those in which the failure of individual devices usually does not cause the total failure of the entire system, but merely a reduction in the effectiveness of the system. It is known that the accuracy of the results obtained by means of the statistical simulation method is determined by the number of realizations of the random process. The use of the method proposed in this article makes it possible to exclude from the statistical simulation all the realizations which correspond to complete working order of all the components in a system, thus substantially accelerating the simulation process. The method proposed makes it possible to make full use of the advantages of the method of statistical simulation as well as the analytical method, and substantially

Card 1/2



L 35982-66

ACC NR: AP6008517

simplifies the investigation of the effectiveness and the reliability of complex systems. As an example, the author investigates a comparative table of the duration of the operation of an electronic digital computer required for solving problems of the evaluation of the reliability of complex systems, using both the method of direct simulation and the method proposed. Orig. art. has: 1 table and 7 formulas.

SUB CODE: 09, 14/ SUBM DATE: 27Mar65/ ORIG REF: 003/ OTH REF: 000

*na*  
Card 2/2

KOPEYKIN, A.A.; RAKHVABGER, Ye.L.

The achievements of science should be put at the disposal of  
industry. Stek.i ker. 12 no.8:13-18 Ag'55. (MLRA 8:11)  
(Ceramic industries)

EXERPTA MEDICA Dec 7 Vol 13/8 Pediatrics Aug. 50

2103. REHABILITATION AFTER POLIOMYELITIS. A REVIEW OF THE EPIDEMIC IN YUGOSLAVIA IN 1956 (Russian text) - Rakić C., Pajantić S. and Marenic S. - MED. GLAS. 1958, 12/8 (329-332) Tables 3

Results of orthopaedic treatment of 196 ambulatory and 315 hospitalized convalescents are reported. After one year total recovery was obtained in 30%, good functional capacity in 50% and no amelioration in 20%.

Todorović - Belgrade (L, 7, 8, 19)

JANEVIC, Ijorica; CVETKOVIC, Svetozar; RAKIC, Branko

Post-irradiation fractures of the cervical neck. Med. presl.  
17 no.12:653-656 '64.

1. Specijalna bolnica za dugu paralizu i kostano-zglobnu  
tuberkulozu "Banjica", Beograd (Upravnik: doc. dr. Branko  
Radulovic).

RAKIC, Oveko, docent dr.; JANKOVIC, Ljubisa, asistent dr.

Substantaneous rupture of the Achilles tendon. Vojnosanit. pregl.  
22 no.7/8:464-467 J1-Ag '65.

1. Specijalna bolnica za decju paralizu i kostano-zglobnu  
tuberkulozu u Beogradu.

YUGOSLAVIA

MITROVIĆ, Milan, RADULOVIĆ, Branko, RAKIĆ, Cveto, RIZVANBEGOVIĆ, Osman;  
Special Orthopedic Hospital "Banjica", Belgrade

"Our Experience in the Treatment of Primary Osseous Tumors"

Belgrade, Srpski Arhiv za Tselokurno Lekarstvo, Vol 94, No 6, 1966,  
pp 573-586

Abstract: In 14 out of 34 cases of benign osseous tumors there appeared difficulties in differential diagnosis with regard to tuberculosis of the joints and bones and such was also the case in more than 1/3 of the 18 patients with malign osseous tumors. Consequently, it is of great importance that the primary tumors be discovered as early as possible and be subjected to an anatomical-pathological examination. All patients with benign tumors were subjected to surgical treatment and 19 of these cases involved osteoplastic reconstructions. A three-year long follow-up study shows that all the cases exhibited satisfactory recovery. In the cases of malign tumors involving 10 amputations and 5 applications of radiotherapeutical means, the results were much less satisfactory: 22.2% died in the hospital, and 16.6% died following release from the hospital. The article contains X-ray photographs of numerous cases, statistically organized data, and extensive description of individual cases. There are 6 Yugoslav and 11 Western references. (Manuscript received, 9 Mar 66.)

1/1

- 45 -

AKIC, D

KRSTIC, K.; RAJA, M.; BZSEVIC, I.; MANIC, D.

Clinical manifestations of incomplete rotation and mobile middle intestine in children. Acta chir. iugosl. 4 no.3:234-245 1957.

1. Klinika za decju hirurgiju Medicinskog fakulteta u Beogradu  
(Upravnik: prof. dr. Dim. N. Jevcic)

(INTESTINES, abnorm.)

common mesentery with incomplete rotation of intestines,  
manifest. (Ser)

(INTESTINES, abnorm.)

incomplete rotation with common mesentery, manifest. (Ser))

RAJIC, S.; BESEVIC, I.; POPOVIC, S.; RADOJKOVIC, P.; RAKIC, D.; CVETKOVIC, J.

Ilio-femoral arthrodesis in pathological luxation of the hip in childhood. Acta chir.iugosl. 7(8) no.1:42-48 '60.

1. Decja hirurska klinika Medicinskog fakulteta u Beogradu (Upravnik prof. dr D.Jovicic)  
(HIP fract & disloc)



KRSTIC, K.; RAKIC, D.

Bone lesions in Recklinghausen's neurofibromatosis. Acta chir.iugosl.  
7(8) no.2:89-97 '60.

1. Klinika za decju hirurgiju Medicinskog fakulteta u Beogradu  
(Upravnik prof. dr. Dimitrije Jovicic)  
(NEUROFIBROMATOSIS pathol)  
(BONE AND BONES pathol)

YUGOSLAVIA

RAKIC, Dragisa, Dr, BUMBIC, Savo, Dr; Child Surgical Department, Faculty of Medicine, University of Belgrade (Head: RAJIC, Srdja, Dr, Chief Physician) (Decja hirurska klinika Medicinskog fakulteta Univerziteta u Beogradu), Belgrade.

"Lesions of the Achilles Tendon in Children"

Belgrade, Srpski arhiv za celokupno lekarstvo, Vol 93, No 10,

1965, pp 969-971

Abstract /Authors' English summary/: The article deals with the authors' ten-year experience in the treatment of lesions of the Achilles tendon in eight children at the Child Surgical Department in Belgrade. Seven children had an open lesion of the Achilles tendon caused by sharp tools. In all children the outside wound was small, without plantar flexion, without configuration of the Achilles tendon, and with a sensitive response to palpation above the wound. Surgical treatment was carried out within 16 hours of the lesion. The primary suture of the tendon with immobilization of the foot in an equinus position for six weeks was performed; then followed rehabilitation from 5 to 30 days. Results of the treatment were excellent. The authors recommend in all suspected cases the enlargement of the wound in the form of a "Z", and the exploration of the tendon. 1 Yugoslav, 6 USSR, 8 Western references. Manuscript

YUGOSLAVIA / Cultivated Plants. Medicinal Plants. M-9  
Essential Oil Plants. Poisonous Plants.

Abs Jour: Ref Zhur-Biol., 1958, No 10, 73240.

Author : Rakic, Gordana.

Inst : Not given.

Title : Vitamin C in Fruit During the Winter.

Orig Pub: Arhiv biol. nauka, 1955, 7, No 1-2, 1-7-152.

Abstract: No abstract.

Card 1/1

NESKOVIC, M.; RAKIC, L J,

Osmotic resistance of erythrocytes in various conditions of insulin hypoglycaemic coma. The influence of glucose and potassium on the disturbances of resistance of erythrocytes occurred in insulin hypoglycaemia. Acta med.iugosl. 14 no.3:316-326. '60.

1. Institute of Physiology, Medical Faculty, University of Belgrade  
(HYPERINSULINISM exper)  
(ERYTHROCYTES)  
(POTASSIUM pharmacol)  
(GLUCOSE pharmacol)

NEŠKOVIC, M.; RAKIC, Lj.

The influence of repeated insulin hypoglycaemic comas on the resistance of erythrocytes in animal before and after normalization of resistance following initial hypoglycaemic coma. Acta med. iugoslavl. 14 no.4:383-392 '60.

1. Institute of Physiology, Medical Faculty University of Belgrade.  
(HYPERINSULINISM exper) (ERYTHROCYTES)

YUGOSLAVIA

Mihailo MOJOVIC, Ljubisav RAKIC and Djordje POGOVIC-ERAK, Department of Physiology of Medical Faculty of University (Fizioloski institut Medicinskog fakulteta Univerziteta), Head (Upravnik) Prof Dr Milutin NESKOVIC, Belgrade.

"Effect of Fatigue on Chronaxia of Leg Muscles."

Belgrade, Srpski Arhiv za Celokupno Lekarstvo, Vol 91, No 1, Jan 63; pp 1-5.

Abstract [English summary modified]: Chronaxy studies in 30 ballet dancing students aged average 16 $\frac{7}{12}$  before and after strenuous practice period of 2 hours: chronaxy of m. fibularis longus and m. tibialis anterior increased by average 0.34 sigma in all, back to normal in 15 minutes. Table; 3 Soviet, 2 Western, 3 Yugoslav refs.

1/1

1952, 1.

Simultaneous Adding and Subtracting of Voltages Using D. C. Amplifier with Differential Input,

SD: Recueil de Travaux, No. 1, Belgrade, Juillet 1952 (Pub. of VINCA INST.)

*Rakic, Miroslav D*

4654

**CERTAIN AUXILIARY INSTRUMENTS OF THE 1.5 MEV ACCELERATOR. Božidar S. Maršićanin and Miroslav D. Rakic.**

Bull. Inst. Nuclear Sci. "Boris Kidrich" (Belgrade)

3:100-9(1963) Aug.

Various auxiliary instruments of a 1.5-Mev Cockcroft-Walton accelerator are described, including servosystem for beam stabilisation, magnetic analyzer, and current integrator. (L.T.W.)

*AMZ JST*



RAKIC, Miodrag, dr inz. (Beograd)

A method of determining dynamic processes in the automatically controlled linear pulse systems. Automatika 4 no.4:248-250 '63.

1. Elektrotehnicki fakultet, Beograd.

RAKIC, N.

TECHNOLOGY

Periodical: SAOPHENJA. TRANSACTIONS. No. 6, 1957.

RAKIC, N.; MILANKOVIC, LJ. Testing the electric protection for the Glava Zeta Hydroelectric-Power Station. p. 31.

Monthly List of East European Accessions (EEAA) LC, Vol. 8, no. 3  
March 1959 Unclass.

RAKIC, Ostoja (Boograd)

Formation of integrability criteria for the linear differential equations of the second order with coefficients whose forms are given in advance. Ves mat fiz Srb no.11:117-133 '59.

RAKIC, Radovan

Necessity of an intensified utilization of the semi-industrial  
and laboratory equipment in the training of cadres.  
Masinogradnja 5 no.2:48-49 JI '62.

RAKIC, S.

"First Macedonian Aviation Rally." (p. 3) Vol. 3, No. 44. Aug. 1953.

SO: East European Accessions List, Vol 3, No 8, Aug 1954

MATIC, S.

"Activities of the Subotica Aeroclub" p. 3  
(IZNIK ZVJE, Vol. 3, no. 53, Dec. 1953, Beograd, Yugoslavia)

SO: Monthly List of East European Acquisitions, LC, Vol. 3, no. 6, May 1954/Encl.

L 04135-67 ARG/FSS-2/FBO/EWP(c)/EWP(h) DE/WW  
ACC NR: AP6020195 (A) SOURCE CODE: YU/0009/65/000/006/0611/0619

AUTHOR: Teodorovic, Zoran (Lt. Col.); Rakic, Slobodan (Lt. Col)

52  
B

ORG: none

TITLE: The planning and carrying out of squadron tactical exercises of fighter-interceptors in the territorial air defense system

SOURCE: Vazduhoplovni glasnik, no. 6, 1965, 611-619

TOPIC TAGS: air defense system, air force tactic, air force training, pilot training

ABSTRACT: In view of the development of nuclear weapons carried by aircraft, it became of paramount importance that the defense forces intercept and destroy in the air all enemy aircraft. To achieve the necessary degree of readiness, the tactical exercises must be carried out on a large scale involving entire squadrons. Consequently, the authors describe in considerable detail how such exercises should be planned, how the squadron should prepare for assignments, tactical flight dynamics, and the cooperation of fighter aircraft with surface-to-air missiles. It is of special importance that tasks and exercises in general be adjusted to the level of training of the pilots and the commanding personnel. Orig. art. has: 3 figures.

SUB CODE: 05, 15/ SUBM DATE: none

Co: 1/1 *llk*

0.7

Boulangerite from Trepcia. S. D. Rakit (Univ., Bel-  
grad, Yugoslavia). *Geol. annal. Balkan. Peninsula* (Jan.  
*vol. Peninsula Balkan.*) 18, 145-54 (in French, 153-4)  
1950).—Massive boulangerite, sp. gr. 5.995, contains Pb  
53.60, Fe 0.24, Cu 0.08, Sb 25.93, and S 18.47%. Optical  
data and etch tests are given. Michael Fleischer



RAKIC, S.

"The composition and structure of ore from the mines of Kopaonik, Serbia", p. 161  
(Glasnik. Serija A: Mineralogija, Geologija, Paleontologija, No. 4, 1951, Beograd)

SO: Monthly List of East European Vol. 2, No 9 Accessions / Library of Congress, September 1953, Uncl.

RAKIN, Stobodan

Liquid magmatic Co-Ni-Cu phase near Fetkovic in the  
peridotite massif of Oranovo (Kosovo-Metohija Province,  
Serbia). Glas Prirod. muz. A 18:17-34 '63.

Submitted July 25, 1963.

RAKIC, Silbodan D.

Chemical Abst.  
Vol. 48, No. 9  
May 10, 1954  
Mineralogical and  
Geological Chemistry

②  
Cubanite from the Suplya Stiyena Mine, Montenegro:  
Silbodan D. Rakic, *Glaznik Privred. Museja Srpske Zemlje*  
(Bull. museum hist. nat. pays Serbe), Sér. A., *Mineralog.,  
geol. paleontol.* No. 5, 171-6 (1952) (German summary).—  
Cubanite occurs in calcite, assoc. with pyrite, sphalerite,  
and chalcopyrite. Optical data are given. The cubanite  
was formed by the replacement of pyrite.

Michael Fleischer

Rudnik, Sloboden D.

Chemical Abst.  
Vol. 48 No. 9  
May 10, 1954  
Mineralogical and  
Geological Chemistry

②

Types of mineralization in the Rudnik Mine, Serbia.  
Sloboden D. Rakic. *Glasnik Prirod. Museja Srpske Zemlje*  
(Bull. museum hist. nat. pays Serbe), Sér. A, *Mineralog.,  
geol., paleontol.* No. 5, 195-203(1952)(German summary).—  
The ores include contact, replacement, impregnation, and  
vein types. The contact type, the only com. ore, consists  
chiefly of pyrrhotite contg. Ni, with sphalerite, Ag-rich  
galena, chalcopyrite, arsenopyrite, and pyrite. Gang  
minerals include calcite, quartz, and calcitic contact sili-  
cates. Michael Fleischer

VUKOVIC, Milan; RAKIC, Slobodan

Occurrence of nickel and cobalt near Bostuljan and Karacica  
in the peridotite massif of Crnovljevo. Glas Prir muz A  
14/15: 79-93 '61.

RAKIC, T.

Some examples of the application of UNIVAC-60 in bookkeeping.  
Mechanografija 2 no.12:7-20 D '61

RAKIC, V.

Breaking "air curtains." p. 450.

VAZDUHOPLOVNI GLASNIK. (Jugoslovensko ratno vazduhoplovstvo) Zemun, Yugoslavia  
Vol. 11, no. 4, July/Aug. 1955.

Monthly List of East European Accessions (EEAI) LC, Vol. 6, no. 9, Sept. 1959.

Uncl.

WAC, 7.

Effect of high speeds of jet planes on some phases of air combat.  
p. 314. VAZDUHOPLOVNI GLASNIK. (Jugoslovensko ratno  
vazduhoplovstvo) Zemun.

Vol. 11, No. 3, May/June 1955

SOURCE: East European Accessions List, (EAL), Library of  
Congress, Vol. 4, No. 12, December 1955



MUTAVDZIC, M.; RAKIC, Z.

Carcinoma of the penis. Acta chir. Iugosl. 10 no.1:30-37  
'63.

1. Uroloska klinika Medicinskog fakulteta u Beogradu  
(Upravnik prof. dr S. Petkovic).  
(PENILE NEOPLASMS)

S

LEVIC-BOGDIC, A.

Contribution to the study of vitamin C in plants. .121.

Brodsko akademska zbirka. Godišnje izdavanje naučnog rada. ZLNS.  
Beograd, Yugoslavia. Vol. 233, 1969.

Monthly list of East European Association (EEA) 1969, Vol. 1, no. 1, Aug. 1969.  
Encl.

YUGOSLAVIA

RAKIC-MANDIC, G. [Affiliation not given.]

"The Vitamin-C System in Brassica oleracea G. and Primula officinalis."  
Belgrade, Arhiv za farmaciju, Vol 12, No 6, 1963; pp 529-534.

Abstract : Study to determine the physiological role of ascorbic and dehydroascorbic acids in these two plants at various stages of the growth cycle. The constancy of the ascorbic acid content in the plant, and the constancy of the ratio between the two acids during the resting period in the root tissues in particular would tend to indicate that these two acids have a definite metabolic role rather than merely that of sugar precursors. Three graphs; Four Soviet and 12 Western references.

1/1

RAKIC-MANDIC, G.Lj.

Contribution to the knowledge of the system L-ascorbic dehydro-  
ascorbic acid in plant in vivo. Bul za Young 9 no.3:81. Je 67.

1. Institute of Medical Research of Serbia, Belgrade.