

PETROVSKIY, Aleksandr Yakovlevich; ROZMAN, Yakov Borisovich;
KOZYREVA, G.M., red.

[Regulated electric drive with magnetic amplifiers
(industrial series)] Reguliruemyyi elektroprivod s
magnitnymi usiliteliami (promyshlennyye serii). Mo-
skva, Energiia, 1964. 86 p. (Biblioteka po mate-
matike, no.111) (MIRA 17:10)

BOYARCHENKOV, Mikhail Aleksandrovich; SHINYANSKIY, Aleksandr Viktorovich;
ROZMAN, Ya.B., red.; BORUNOV, N.I., tekhn.red.

[Magnetic amplifiers] Magnitnye usiliteli. Moskva, Gos.energ.
izd-vo, 1960. 54 p. (Biblioteka elektromontera, no.30)
(MIRA 14:3)

(Magnetic amplifiers)

86621

16.9500 (1031, 1132, 1222)
9.2530

S/105/60/000/012/006/006
B012/B058

AUTHOR: Rozman, Ya. B., Candidate of Technical Sciences
TITLE: Planning of Controllable Drives With Magnetic Amplifiers
PERIODICAL: Elektrichestvo, 1960, No. 12, pp. 75-78

TEXT: With the aid of the circuit diagram of a drive with magnetic amplifier of the series ПМУ (PMU) shown in Fig. 1, some problems arising during the planning of such drives are dealt with in this paper. The armature of the motor is fed by the selenium rectifiers controlled by means of magnetic amplifiers. The problem of selecting selenium rectifiers is studied first. The required number N of rectifier elements operating jointly with the magnetic amplifiers is determined. The calculation is made here for the limiting case, that is, for the case that no bias magnetizing takes place during the non-conducting semicycle. Formula (4) is derived for the optimum value of N:

Card 1/6

86621

S/105/60/000/012/006/006
B012/B058

Planning of Controllable Drives With
Magnetic Amplifiers

$$N_{opt} = \frac{\sqrt{U_{\sim}^2 - \frac{\pi^2}{4} i_{react.class.}^2 \omega^2 L_0^2}}{U_{o.eff}}$$

. Fig. 2 shows U_{\sim} , the

inductance L_0 of the choke during the non-conducting semicycle, the reactive resistance r_0 of the rectifier, 'choke', and the current $I_{o.eff}$ during the non-conducting cycle. $i_{react.class.}$ is the "classification" mean value of the reactive current through the valve (Ref. 1). The curves calculated from this formula (4) are given in Fig. 3. The N_{opt} values at 380 v (solid curves) and 220 v (dashed curves) of industrial frequency can be determined from them. An example is calculated for illustration. The rectification of the magnetic amplifier characteristics is studied next. A controllable current feedback was introduced in order to widen the speed control range. The three possible types are shown in Fig. 4.

Card 2/6

86621

Planning of Controllable Drives With
Magnetic Amplifiers

S/105/60/000/012/006/006
B012/B058

The best of them is the third (Fig. 4v). The shortcoming of the first two circuits (increased power loss in the armature circuit) is eliminated here by a current transformer. Three variants of drives with magnetic amplifiers and two-range control are shown finally. The two variants shown in Figs. 5a and 5b are the most simple ones. Another variant was proposed by A. N. Zamyatin (not shown here). The fourth variant is shown in Fig. 5v (Ref. 4). Voltage and field can be controlled by means of a lever. The circuits in Figs. 4b and 4v were elaborated and introduced by A. Ya. Petrovskiy. There are 5 figures, 2 tables, and 3 Soviet references.

ASSOCIATION: ENIMS

SUBMITTED: March 21, 1960

Card 3/6

86621

Planning of Controllable Drives With
Magnetic Amplifiers

S/105/60/000/012/006/006
B012/B058

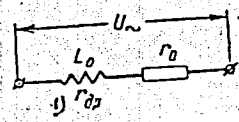
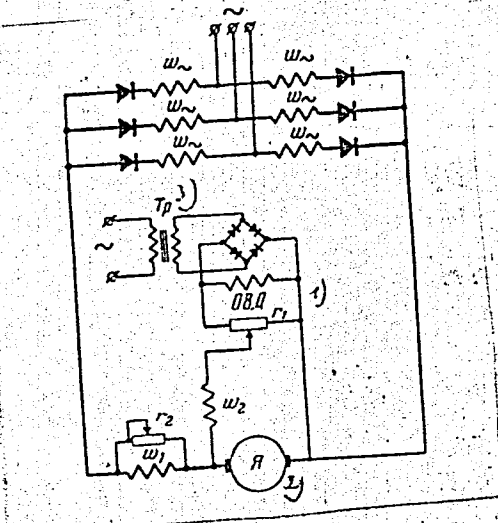
Text to Fig. 1: Circuit of the drive with a magnetic amplifier of the
PMU series. 1) Field coil, 2) armature, 3) transformer

Text to Fig. 3: $i_{\text{react.class}} \dots 1)$

Text to Fig. 4: Methods for realizing controllable current feedback.
1) drive with magnetic amplifier, 2) current transformer

Text to Fig. 5: Two-range control methods
1) U_{optimum} , 2) magnetic amplifier, 3) drive with
magnetic amplifier, 4) field coil, 5) armature.

Card 4/6



Card 5/6

Рис. 2.

86621

S/105/60/000/012/006/006
B012/B058

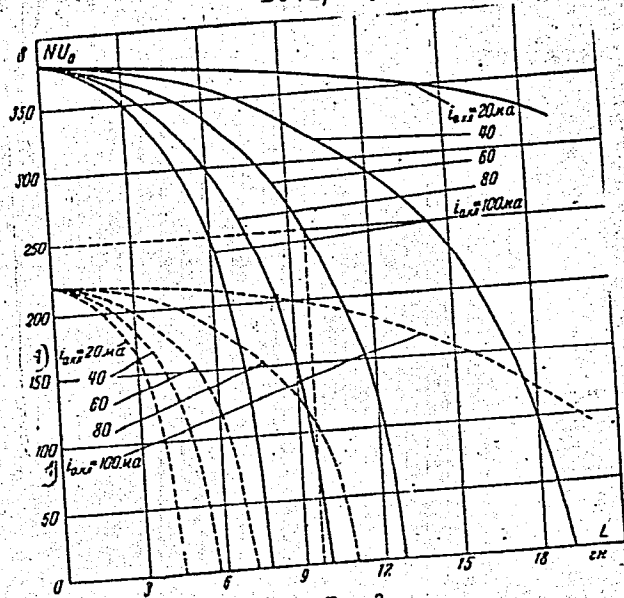


Рис. 3.

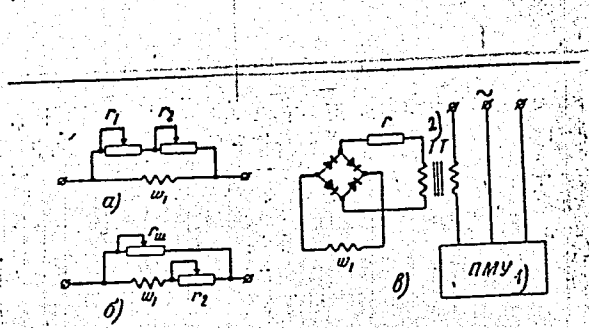


Рис. 4. Способы осуществления регулируемой обратной связи по току.

86621
S/105/60/000/012/006/006
B012/B058

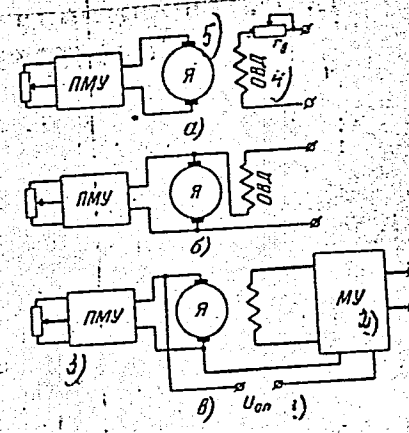


Рис. 5. Способы двухзонного регулирования.

Card 6/6

ROZMAN, Ya.B.; ZAMYATIN, A.N.

New sets of drives with magnetic amplifiers. Stan. i instr.
36 no.6:6-10 Je '65. (MIRA 18:8)

ROZMAN, Ya.B.

Stepless speed regulation by means of electromagnetic sliding clutches.
Stan. 1 instr. 27 no.8:27-31 Ap '56. (MIRA 9:9)
(Governors (Machinery)) (Clutches (Machinery))

Subject : USSR/Engineering AID P - 5354
Card 1/1 Pub. 103 - 9/25
Author : Rozman, Ia. B.
Title : Stepless speed control with electromagnetic slip coupling
Periodical : Stan. i instr., 8, 27-31, Ag 1956
Abstract : A sturdy electromagnetic slip coupling with non-stepped speed control for cylinder-and cone-grinding machine or for drawing machine is described and illustrated. These couplings can be made locally at any plant. Five drawings, 2 graphs and 2 photos.
Institution : None
Submitted : No date

ROZMAN, YA. B.

USSR/Engineering - Meters, Electric Meters, Calibration

Jan 50

"Vacuum Tube pH-Meter," L. I. Belen'kiy, Ya. B. Rozman, Gen Sci Res Inst of
Cotton Ind, 3 pp

"Zavod La" Vol XVI, No 1

Apparatus, designed for use in industrial laboratories, can operate from industrial laboratories, can operate from industrial frequency AC circuit. System uses thin-walled mechanical bridge, 6Zh tubes, high-ohmic galvanometer (2.5.10-7 a), and 105-S-30 neon stabilizer for plate voltage. Tubes operate with reduced plate voltage (ca 50v) but normal filament voltage. Sensitivity of system is 3.5 mv (0.06 pH) for one galvanometer graduation.

FDD

159T18

TUN, Aleksandr Yakovlevich; ROZMAN, Ya.B., red.

[Adjustment of noncontact-type equipment of electric drives] Naladka beskontaktnoi apparatury elektropri-
vodov. Moskva, Izd-vo "Energiia," 1964. 86 p. (Bib-
lioteka po avtomatike, no.120) (MIRA 18:1)

Analysis

5

Valve pH Meter. L. I. Belen'kii and Ya. B. Rozman.
(*Zhurnal'nyi Laboratoriya*, 1930, No. 1, 120-123). [In Russian]. A robust pH meter with screened glass electrodes is described, which is designed to work directly from the normal industrial circuit. The instrument works at temperatures up to 45-50° C. . . .

CA

Vacuum-tube pH meter. L. I. Helen'kil and Ya. B. Rosman. *Zashchita Lab. 10*, 120-3(1950).--Complete description with diagrams of a pH meter for use from 115-v.a.c. line, with vacuum-tube stabilized line voltage. The instrument's sensitivity is 0.00 pH units per scale division. G. M. Kosolapoff

POZDEYEV, Anatoliy Dmitriyevich; ROZMAN, Yakov Borisovich;
KUZNETSOV, N.A., red.; BORUNOV, N.I., tekhn. red.

[Electromagnetic clutches and brakes with solid armatures]
Elektromagnitnye mufty i tormoza s massivnym iakorem. Mo-
skva, Gosenergoizdat, 1963. 103 p. (Biblioteka po avtoma-
tike, no.82) (MIRA 16:12)
(Electric machinery) (Clutches (Machinery))

NAYDIS, V.A.; ROZMAN, Ya.B.

Conference on magnetic amplifiers. Elektrichestvo no.2:86-87
F '59. (MIRA 12:4)

(Magnetic amplifiers--Congresses)

ROZMAN, Ya.B.; DRANITSKIY, L.V.

The PMU regulated electric drive with magnetic amplifiers for
machine tools. Stan.i instr. 32 no.8:4-7 Ag '61. (MIRA 14:8)
(Machine tools--Electric driving)

ROZMAN, Ya.B., kand.tekhn.nauk

Designing of regulated electric drives with magnetic amplifiers.
Elektrichestvo no. 12:75-78 D '60. (MIRA 14:1)

1. Eksperimental'nyy nauchno-issledovatel'skiy institut metallovezhu-
shchikh stankov. (Electric driving) (Magnetic amplifiers)

NAYDIS, V.A.; ROZINOV, A.G.; ROZMAN, Ya.B.

Electric feed drives with magnetic and semiconductor amplifiers
used in machine tools. Stan.i instr. 28 no.6:7-10 Je '57.
(MLRA 10:8)

(Machine tools--Electric driving)

110-111-111, 110, 111

AUTHOR: NAYDIS, V.A., ROZINOV, A.G., ROZMAN, Ya.B. PA - 3611
TITLE: Electric Drive of Machine Tool Feed with Magnetic- and Semiconductor Amplifiers. (Elektroprivody podachi stankov s magnitnymi i poluprovodnikovymi usilitelyami, Russian)
PERIODICAL: Stanki i Instrument, 1957, Vol 28, Nr 6, pp 7 - 10 (U.S.S.R.)
ABSTRACT: In the drives of machine tool feeds electric direct current motors are at present frequently used the revolutions of which can be reduced to 1 : 50 and more of the normal number by a change of amperage by means of a transformer. However, a rotating transformer is very expensive, takes up much room, and causes a considerable amount of notice. These disadvantages are particularly marked in the case of machines of medium size where the main drive is effected by means of alternating current and the transformer is the only one used. A simple and reliable electric drive is obtained by means of a direct current motor with a magnetic amplifier, a type which is being used with great success in the U.S.S.R. and in other countries. It costs about half as much, it is more simple and has no rotating parts. The development of the production of semiconductor triodes and the increase of their efficiency up to 10 - 30 W make it possible to use them with success in connection with magnetic amplifiers within the system of controllable electric devices. The testing of such an electric drive on the test bench is de-

Card 1/2

ROZMANC, Janez

The mailmen to Marshal Tito on the occasion of his 70th birthday.
PTT zbor 16 no.5:136 My '62.

S/081/63/000/003/022/036
B144/B186AUTHOR: Rozmánek, Josef

TITLE: Chromatographic study of medium-viscosity oils from sour crude oil

PERIODICAL: Referativnyy zhurnal. Khimiya, no. 3, 1963, 516, abstract 3P258 (Ropa a uhlie, v. 4, no. 5, 1962, 141-144 [Czech])

TEXT: A study was made of alternatives for the chromatographic separation of the selected raffinate K 534 S (n_D^{20} 1.4960, d_4^{20} 0.893, viscosity η 8.1/99°C, viscosity index 70, molecular weight 374%, % S 0.49) from Saratov petroleum. In the elution alternative, activated silicagel soaked in petroleum ether (b. p. 50 - 70°C) was used as adsorbent and petroleum ether, benzene, acetone and chloroform were used as solvents; in the percolation alternative, dry activated silicagel was used as adsorbent and the solvents were: 1 part ethanol + 1 part benzene, ethanol and 1 part benzene + 4 parts acetone. It was found that the elution alternative is characterized by a higher adsorptive power, but
Card 1/2

Chromatographic study of medium-...

S/081/63/000/003/022/036
B144/B186

allows the treatment of only a small quantity of oil. The percolation alternative allows the treatment of a large quantity of oil, but its separative power is small. The advantages of these two methods are combined in the percolation-elution alternative (in which dry Al_2O_3 is used as adsorbent and petroleum ether, 95% petroleum ether + 5% benzene, benzene, acetone, or methanol are used as solvents). Using the percolation-elution alternative, the raffinate is separated into 7 fractions, the principal characteristics and the chemical group composition of which are given. [Abstracter's note: Complete translation.]

Card 2/2

ROZMANITY, H.

Jet and turbopropeller transport planes.

P. 12. (KRIDLA VLASTI.) (Praha, Czechoslovakia) No. 3, Feb. 1958

SO: Monthly Index of East European Accession (EEAI) LC. Vol. 7, No. 5, 1958

ROZMANOVA, N.V.; PALAGINA, N.K.; KHRYGHEVA, A.I.; CHERNYSH, V.G.

Method of determining biotin in the raw material for the yeast industry. Prikl. biokhim. i mikrobiol. 1 no.5:549-553 S-0 '65. (MIRA 18:11)

1. Leningradskiy mezhotraslevoy nauchno-issledovatel'skiy institut pishchevoy promyshlennosti.

ROZMAINSKIY, I. V.

37688

Some peculiarities clinical
o nekotoryeh osobennostyakh kliniki mirotocheskogo
dizidroza. vestnik venerologii i dermatologii,
1949, No. 6, s. 18-21.

So.

Letopis' Zhurnal'nykh Statey, Vol.47, 1949

ROZMANSKIY, I. V.

"A New Means of Curing Inguinal Lymphogranulomatosis", Venereol. i Dermatol. zhur.,
May-June 1950

ROZMANSKIY, I.V.

KLIMENKO, A.V.; ROZMANSKIY, I.V., kandidat meditsinskikh nauk (Kiyev)

Salvarsan encephalopathy. Vest. ven. 1 derm. no.4:54-55 J1-Ag '54.

(ARSPHENAMINES, injurious effects,

*brain dis., in ther. of syphilis)

(BRAIN, diseases,

*arsphenamine encephalopathy in ther. of syphilis)

(SYPHILIS, therapy,

*arsphenamines, causing brain dis.)

BURCHINSKIY, G.I., dotsent, kandidat meditsinskikh nauk; ~~ROZMAINSKIY, I.V.~~
KOZLOV, K.K. (Kiyev)

Cure of severe general blastomycosis. Klin.med. 33 no.12:74-75
D '55. (MIRA 9:5)
(BLASTOMYCOSIS)

15

CA

ORIGIN AND DEVELOPMENT OF SOLONCHAK COMPLEXES

1. K. Rostomakhov. *Tranz. Dzhukhner Soil Inst. (U.S.S.R.)* 27, No. 1, 31-37 (in English, 37-8) (1940). Analyses are presented: (1) on the soil materials which make up the various complexes in the areas of salinized soils; (2) on the sol. salt content of these soils; (3) on the ground waters under the various types of salinized soils. On the basis of the analyses and supplementary data and observation K. presents a theory that the variations in the salt content and the effects on the structure cause a change in vol. of the soil, which in turn has an effect on the drainage because of depressions formed. He attempts to show that with the change from the solonchak to the solonetz and other stages the change in salt content causes a change in vol. The reactions involved in the change of the compds. are presented and discussed. J. S. Joffe.

ASB.SLA METALLURGICAL LITERATURE CLASSIFICATION

1940

11 12 13 14 15 16 17 18 19 20 21 22 23 24 25 26 27 28 29 30 31 32 33 34 35 36 37 38 39 40 41 42 43 44 45 46 47 48 49 50 51 52 53 54 55 56 57 58 59 60 61 62 63 64 65 66 67 68 69 70 71 72 73 74 75 76 77 78 79 80 81 82 83 84 85 86 87 88 89 90 91 92 93 94 95 96 97 98 99 100

ROZMANIN, I. V., BICHUCH, S. V., KLIMENKO, A. V.

Experience With Treatment of Staphylococcal Skin Diseases.

VSEYENNO-MEDITSINSKIY ZHURNAL (MILITARY MEDICAL JOURNAL), No 12, 1954. p.64

ROZMANITH, J.; SZONNTAGH, J.

The polarographic investigation of gallium. In German. p. 99. (Acta Chimica, Vol. 9, No. 1/4, 1956, Budapest, Hungary)

SO: Monthly List of East European Accessions (EEAL) LC, Vol. 6, No. 8, Aug 1957. Uncl.

ROZMANITH, J.

HUNGARY / Physical Chemistry - Electrochemistry.

B-12

Abs Jour : Referat. Zhurnal Khimiya, No.1, 1958, 583.

Author : J. Szontagh, J. Rozmanith.

Inst : Academy of Sciences of Hungary..

Title : Polarographic Study of Gallium.

Orig Pub : Acta chim. Acad. sci hung., 1956, 9, No.1-4, 99 - 103,
Discuss. 103 - 104.

Abstract : The wave of Ga is hardly noticeable on the KCl back-ground at pH = 2.9, but it separates from the H wave even at pH = 3.5. The Ga wave sinks in proportion to the rise of pH in the result of hydrolysis; it does not change at pH = 5.35 to 6.35, but sinks again at pH above 6.35. It is recommended to determine Ga in ores on a KCl background at pH = 5.35 to 6.35. The determination is possible at Ga contents of 1% and more. Al does not interfere with the determination, Zn does.

Card: 1/1

ROZMANITY, Hubert, inz.

Effect of the fuel quality on the operation of aircraft
engines. Letecky obzor 7 no.11:330-331 N'63.

ROZMANITY, Hubert, inz.

Fuel quality control during the operation. Letecky obzor 8
no.3:82-84. Mr'64.

ROZMANOV, M.

3N/5
751
.88

ROZMANOV, M

Sovetskaya trgovlya v Kazakhstane (Soviet trade in Kazakh)
Alma-Ata, Kazgosizdat, 1955L.
121 p. tables.
Bibliographical footnotes.

ROZMANOVA, M.D.

Feeding habits of Ctenopharyngodon idella larvae during
their upkeep in fish bags. Dokl. AN SSSR 166 no.3:729-731
Ja '66. (MIRA 19:1)

1. Kazakhskiy nauchno-issledovatel'skiy institut rybnogo
khozyaystva, Balkhash. Submitted March 18, 1965.

CHULANOV, G.Ch.; ISHMUKHAMEDOV, B.; ANTONOV, P.I.; ROZMANOV, M.M.

[Outline history of the economy of the Kazakh S.S.R., 1917 -
1928] Ocherki istorii narodnogo khoziaistva Kazakhskoi SSR,
1917 - 1928 gody. Alma-Ata, Vol.1. 1959. (MIRA 12:12)

1. Akademiya nauk Kazakhskoy SSR. Alma-Ata, Institut ekonomiki.
(Kazakhstan--Economic conditions)

ROZMANOV, Matvey Moiseyevich

3N/5
783.32
.R8

Bor'be Za Povsheniye Kachestva I Rasshireniye Assortimenta Tovarov-Vazhneyshaya Zadacha Promyshlennosti I Torgovli (Struggle for Increasing the Quality and Expanding the Assortment of Goods — Major Tasks of Industry and Trade) Alma-Ata, Kazakhskoye Gos. Izd-Vo, 1955.

39 p.

At head of title: Obshchestvo Po Rasprostraneniyu Politicheskikh I Nauchnykh Znaniy Kazakhskoy SSR.

ROZMANOV, Matvey Moiseyevich

[The struggle to improve the quality and increase the variety of goods is an important task of industry and trade; a lecture]
Bor'ba za povyshenie kachestva i rasshirenie assortimenta tovarov - vazhneishaya zadach promyshlennosti i torgovli; stenogramma lektsii.
Alma-Ata, Kazgosizdat, 1955. 39 p. (MLRA 9:8)
(Manufactures)

PALAGINA, N.K.; ROMANOVA, N.V.; RHYCHEVA, A.I.; SOLOMAKHIN, V.A.

Buffer properties of molasses and their effect on the cultivation
process of baker's yeast. Prikl. biokhim. i mikrobiol. 1
no. 11111-1118 11-16 65. (MIRA 18:11)

1. Leningradskiy mezhotraslevoy nauchno-issledovatel'skiy
institut pishchevoy promyshlennosti.

ROZMANOVA, H.V.

Control of the bacterial infection of yeast in the process of
its production with the aid of antibiotics. Izv.vys.ucheb.zav.;
pishch.tekh. no.3:70-74 '59. (MIRA 12:12)

1. Leningradskiy tekhnologicheskii institut pishchevoy
promyshlennosti. Kafedra tekhnologii brodil'nykh proizvodstv.
(Yeast) (Antibiotics)

ROZMANOVA, N.V.

Action of antibiotics on bacterial microflora in yeast production.
Izv.vys.ucheb.zav.; pishch.tekh. no.6:41-45 '58.

(MIRA 12:5)

1. Leningradskiy tekhnologicheskii institut pishchevoy promy-
shlennosti, Kafedra tekhnologii brodil'nykh proizvodstv.
(Yeast--Bacteriology) (Antibiotics)

MALKOV, A.M.; ROZMANOVA, N.V.

Antibiotic properties of some strains of Gibberella. Mikro-
biologiya 31 no.1:153-157 Ja-F '62. (MIRA 15:3)

1. Leningradskiy tekhnologicheskii institut pishchevoy
promyshlennosti.

(FUNGI)

(ANTIBIOTICS)

MEN'SHCHIKOV, F.S.; ROZMANOVA, Z.Ye.

~~XXXXXXXXXXXXXXXXXXXX~~
Luminescence method of determining the degree of oxidation of
coals. Zav.lab.21 no.12:1471-1474 '55. (MLRA 9:4)

1.Sibirskiy metallurgicheskiy institut imeni Serge Ordzhenikidze.
(Oxidation) (Coal)

ROZMARI, I.N.

PLISE I BOOK EXPLOITATION OCT/1954

Vsesoyuznoye sverkhzadaniye po grupovaya tekhnologicheskima protsessam v mashinostroyeniye i priborostroyeniye. 1st, Leningrad, 1959

Gruppovaya tekhnologiya v mashinostroyeniye i priborostroyeniye (Group-Processing Methods in the Machine and Instrument Industries) Moscow, Mashizhiz, 1960. 378 p. Extra slip inserted. 7,000 copies printed.

Zh. (Title page). S.P. Mikrotsov, Lenin Prize Winner, Candidate of Technical Sciences; P.Y. Kozlov, Candidate of Technical Sciences; G.D. Kozlov, Candidate of Technical Sciences; S.A. Kozlov, Engineer, and G.Y. Zhukovskiy, Candidate of Economic Sciences; Izdanie Zh. for literature on Machine-Building Technology (Leningrad Department, Mashizhiz); Izd. P. Kuznetsov, Engineer; St. of Publishing House; K.Y. Shumovskiy; Tech. Ed.: G.Y. Sperandevskiy.

PURPOSE: This collection of articles is intended for technical personnel in machine plants, designing organizations and scientific-research institutes. It may also be useful to skilled workers.

OVERVIEW: The collection consists of papers presented at the Conference on Group Processing in the Machine and Instrument Industries, held November 24-28, 1959 in Leningrad. The conference was called by scientific and technical societies of the machine and instrument industry, GIKH KHIZH, and Leningradskiy. The articles are based on the experience of industry in introducing the grouping principles in processing. They discuss basic trends in development, and group machining as the basis of mechanized continuous production. The designing of automatic production construction of eccentrics and exponentiation and production of group-machining work are discussed. Problems dealing with the production of group-machining work are discussed. Problems dealing with the production of group-machining work are discussed. Problems dealing with the production of group-machining work are discussed. Problems dealing with the production of group-machining work are discussed.

TABLE OF CONTENTS:

| | |
|--|-----|
| Belolida, A.I. [Moscow]. Multiproduct (Group) Setup of Special and Universal Machine Tools From the Work Experience of the "Krasny Proletariy" Plant (and Krasny) | 201 |
| G.Y. Zh. [Moscow]. Multiproduct Production Lines (From the Work Experience of the Organizational Institute) | 224 |
| Kozlov, G.A. [Leningrad]. Group (Processing) Lines and Closed Sections in Small-Lot Production | 229 |
| Kozlov, S.P. [Moscow]. Group Setups and Multiproduct Lines for Part Machining in the "Krasnyy Sverd" Enterprise (Ural Leningrad Plant) | 236 |
| Kozlov, S.P. [Leningrad]. Experience in Application of the Group Method in Batch-Assembly Operations | 246 |
| Kozlov, S.P. [Leningrad]. Introduction of Continuous Production Methods and Mechanization of Assembly Operations in Electric-Instrument Manufacturing, Based on Group Processing | 260 |
| PART III. GENERAL PROBLEMS IN GROUP PROCESSING | |
| Mikrotsov, S.P. [Leningrad]. The Experience of Introducing Group Processing in the Establishments of the Leningrad Machinery | 269 |
| Kozlov, G.A. [Moscow]. High-Efficiency Processing | 278 |
| Kozlov, S.P. [Leningrad]. The Results of Several Years' Operation of a Plant Employing Group Machining | 280 |
| Kozlov, S.P. [Leningrad]. The Experience of Introducing Group-Processing Methods in an Optical-Mechanical Plant | 286 |
| Kozlov, G.A. [Moscow]. The Experience of Introducing Group-Processing Under Conditions of Piece and Small-Lot Production in the Uralmashzavod | 296 |
| Kozlov, S.P. [Leningrad]. Special Features in the Development of Manufacturing Processes With the Introduction of Group Machining of Parts | 318 |

S/123/61/000/015/011/032
A004/A101

AUTHOR: Rozmari, I. N.

TITLE: High-efficiency technology

PERIODICAL: Referativnyy zhurnal, Mashinostroyeniye, no. 15, 1961, 2, abstract
15B6 (V sb. "Gruppovaya tekhnol. v mashinostr. i priborostr."
Moscow - Leningrad, Mashgiz, 1960, 278-279)

TEXT: The author reports on the economic effect obtained by enterprises of the Gor'kiy economic rayon in introducing gang machining of parts. A number of plants cut down the labor consumption of automatic turret-lathe operations by a factor of 4.5, freed a great number of lathes and turret-lathes and are developing gang-type production lines using gang setting for each operation ("Dvigatel' revolyutsii" Plant). Gang technology is not only applied on metal-cutting equipment but also in other fields of production. Thus two types of casting chamber designs have been introduced, the interchangeable part of which is a multi-position press mold. Gang technology is also introduced in wood-working shops (Plant im. Vorob'yev) and forging and pressing shops (Radio Plant). ✓

I. Briskman

[Abstracter's note: Complete translation]

Card 1/1

ROZMARIC, Adolf

Cytomorphological technic of sex determination in legal medicine.
Cas. lek. cesk. 96 no.4:119-121 25 Jan 57.

1. Ustav pro soudni lekarstvi PU v Olomouci. Prednosta prof.
Dr. A. Rozmaric. A. R., Olomouc, Ustav pro soudni lekarstvi PU.
(SEX CHARACTERISTICS,
sex determ., cytomorphological method in legal med. (Cz))
(MEDICINE, LEGAL
cytomorphol. determ. of sex characteristics (Cz))

RUNSTUKOVA, J.;KRAVKOVA, L.;VITEK, J.;ROZMARICOVA, K.

Typhoid complications and chloramphenicol. *Lek. listy*, Brno 7 no.19:470-473 1 Oct 1952. (CLML 23:2)

1. Of the Second Internal Clinic (Head--Prof. J. Polcak, M.D.) of Masaryk University, Brno.

SIMIONESCU, Cr., acad. prof.; ROZMARIN, Gh., ing., candidat in
stiinta tehnice

On the molecular configuration of cellulose according to the
H. Vasiliu concept and criticism of his concept in the light
of modern theories. Cel hirtie 12 no.7:223-229 JI '63.

ROZMARIN, C., ing.

"Rendering residual bisulfite lyes valuable." Reviewed by
C. Rozmarin. Cel hirtie ll no. 9:341 S'62

ROZMARIN, Gh., ing.

On the H. Doering method for determining the polymerization
degree of pulp. Cel hirtie 10 no. 12:428-433 D'61

SIMIONESCU, Cr., prof. dr. ing.; POPPEL, E., ing.; ROZMARIN, Gh., ing.

Aspects of the photochemical and thermal degradation of some
pulps and paper products. Cel. hirtie 10 no. 11: 338-403 N°61

1. Membru Corespondent al Academiei R.P.R. (for Simionescu).

SIMIONESCU, Gr., prof. dr. ing.; ROZMARIN, Gh., ing.

"Wood and cellulose chemistry" by N.I.Nikitin. Reviewed by
Gr.Simionescu, Gh.Rozmarin. Cel hirtie 11 no.7:278-279 J1'62

1. Membru corespondent al Academiei R.P.R. (for Simionescu).

ROZMARIN, Gh., ing., candidat in stiinta tehnice

Vladimir Technical and Scientific Conference on the chemistry and
technology of cellulose derivatives. Cel hirtie 12 no.8/9:305-307
Ag-S '63.

Obtaining cellulose in high yield. V. Diaconescu, Emanuel Poppel, Gh. Nichitus, Erna Weiss, Elena Calistru, Dorel Feldman, C. Matase, N. Asandei, Gh. Rozmarin, and Cristofor Simionescu. Bul. inst. politen, Iasi (N.S.) 4, 213-26(1958).--High yields of cellulose (up to 65%) are obtained by digesting 6400 kg. wood with NaOH (570 kg.), and 70 kg. Na₂S, so that the total alky. is 15.2% (on the wood basis). The so-called active alky. is 11.87%. The digestion required 2 hours and 10 min. at max. pressure, maintaining this for another 10 min., degassing for 5 min., and then washing for 6 hrs. The pulp contained 77.57% cellulose, 14.86% lignin, 6.30% pentosans, and 76.69% α-cellulose.
Mella Paecht-Horowitz

ROZMARIN, G.N.

Advances in the study of aging of fibrous pulp materials.
Usp.khim. 34 no.11:1965-1988 N '65.

(MIRA 19:1)

1. Yasskiy politekhnicheskii institut, kafedra prirodnykh i
sinteticheskikh makromolekul, Rumyniya.

ROZMARIN, G.N.; SIMIONESKU, Kr. [Simionescu, Gr.]

Problem of the polydispersion of some photochemically degraded celluloses. Zhur. prikl. khim. 36 no.8:1808 Ag '63.
(MIRA 16:11)

1. Yasskiy politekhnicheskii institut, kafedra tsellyulozy,
bumagi i iskusstvennogo volokna, Rumyniya.

ROZMARIN, Sh.V.

Diagnosis of pulmonary cavitations by tomofluorography. Vest. rent.
1 rad. 31 no. 5:35-36 S-0 '56. (MLRA 10:1)
(TUBERCULOSIS, PULMONARY, radiography
tomofluorography of cavitations)

ROZMARIN, Sh.V.

The gallbladder in gastrectomized patients. Sov.med. 25 no.5:41-45
My '62. (MIRA 15:8)

1. Iz kafedry rentgenologii i radiologii (zav. - prof. Ye.L.Kevesh)
Kuybyshevskogo meditsinskogo instituta i ofruzhnogo voyennogo
gospitalya (nachal'nik - polkovnik meditsinskoy sluzhby M.S.
Fedyunin) Privolzhskogo voyennogo okruga.
(GALL BLADDER--RADIOGRAPHY) (STOMACH--SURGERY)

ROZMARIN, Sh.V.

Roentgenological characteristics of the gall bladder in gastric and
duodenal ulcer. Klin. med. 38 no. 4:43-48 Ap '60. (MIRA 14:1)
(PEPTIC ULCER) (GALL BLADDER—RADIOGRAPHY)

CZECHOSLOVAKIA/General Biology. Cytology. Animal and Human
Cytology.

B-2

Abstr Jour: Ref Zhur-Biol., No 20, 1958, 90314.

Author : Reznario, Adolf

Inst :

Title : The Outlook for the Cytomorphological Method of Sex
Determination in Forensic Medicine.

Orig Pub: Casop. lekaru ceskych, 1957, 96, No 4, 119-121 (Czech)

Abstract: No abstract.

Card : 1/1

ROZMARIN, Sh. V.

Ona bronchography method. Vest.khir. 83 no.9:58-60 S '59.

(MIRA 13:2)

(BRONCHI, radiography)

FEDOTOV, P.I.; PETROV, V.G.; ROZMARIN, Sh. V.

Ectopic chorioepithelioma of the mediastinum. Sovet. med. 23 no.2:
135-137 F '59. (MIRA 12:3)

(CHORIOCARCINOMA, case reports
mediastinum (Rus))
(MEDIASTINUM, neoplasms
choriocarcinoma (Rus))

HOLEWIECKI, E.; HORAK, J.; HOCHMANYNOWICZ, H.

The elaboration of the method of obtaining 4,4'-dipyridyl. *Acta chm.*
9:177-181 1964.

The elaboration of the method of receiving 2,4,2',4',2''-
pentamethoxy-triphenyl carbinol from resorcinol and sodium salicylate.
Ibid. 1183-138

1. Central Institute of Mining, Katowice. Presented Nov. 1962.

BOROWSKA, Sabina; BOROWSKI, Jerzy; ROZMARYNOWSKA, Izabela

Biochemical, bacteriological and clinical studies on urenil --
a sulfonamide preparation. Polski tygod.lek. 15 no.45:1716-1719
7 N '60.

1. Z I Kliniki Chorob Wewnętrznych AMG; kierownik: prof.dr M.Gorski
i z Zakładu Mikrobiologii AMG; kierownik: prof.dr S.Krynski.
(SULFONAMIDES pharmacol)

ROZMARYNOWSKA, K.

4058

677.151.08 : 677.11.052.842

Rozmarynowska K. Introduction of Degumming of Roving into the Wet-Spinning of Ramie-Nolls.

„Przedzenie wyczesków ramlowych na mokro z odklejanem niedoprzędu”. (Prace Inst. Włókien, No. 14), Warszawa, 1954, WPLIS, 7 DP, 5 figs., 12 tabs.

This paper is concerned with the production of carded yarn from ramie nolls by the wet-spinning process. The conditions for spinning and carding the nolls on linen machines are outlined. Chemical degumming of roving, indispensable for the separation and shortening of the fibre, was introduced into the technological process. In quality, the yarn produced was inferior only in an insignificant degree to worsted (combed) linen yarn.

SHYREK-BOROWSKA, Sabina; ROZMARYNOWSKA, Izabela; ROMANSKI, Bogdan

Biochemical and clinical studies on "Retasulfin", a sulfonamide
with prolonged activity. Pol. tyg. lek. 17 no.33:1296-1300 13 Ag '62.

1. Z I Kliniki Chorob Wewnetrznych AM w Gdansk; kierownik: prof.
dr M. Gorski.

(SULFAMETHOXPYRIDAZINE)

ROZMARYNOWSKA-BARDZIK, Izabela; BUBLEWSKA, Barbara

Studies on the value of the determination of protein-bound iodine in the blood serum with the method of Foss and collaborators. Pol. arch. med. wewnet. 34 no.2:219-224 '64

1. Z I Kliniki Chorob Wewnetrznych AM w Gdansku; kierownik prof.dr.med. M.Gorski.

*

BEDECS, Istwan; ROZMARYNOWSKI, Wladyslaw [translator]

Determination of the content of impurities in cotton and cotton waste by means of the pneumatic apparatus for the determination of impurities in cotton. Przegl wlokien 16 no.7/8:370-374 JI-Ag '62.

1. FTI, Budapest (for Bedecs).

ROZMARYNOWSKI, Wladyslaw, Dipl. ing. (Lengyelország)

Guide threads. Magy textil 15 no.5/6:208-211 My-Je '63.

POLAND / Chemical Technology. Chemical Products and H-23
Their Applications. Artificial and Synthetic
Fibers.

Abs Jour: Ref Zhur-Khimiya, No 3, 1959, 10378.

Author : Rozmarynowski, W., Malinowski, L.

Inst : Not given.

Title : Prospects for a Mixture of Crimped Viscose and
Acetate Fibers.

Orig Pub: Techn. wlokiern., 1958, 7, No 5, 139-143.

Abstract: No abstract.

Card 1/1

236

POZNAŃSKA, n.

Cleaning cloth, a new use for spinning wastes. Biuletyn Wlok. p. 12. (PRZEMYSŁ
WŁOKIENNICZY, Lodz, Vol. 7, no. 7/8, July/Aug. 1953.)

SO: Monthly List of East European Accessions, (EEAL), LC, Vol. 4, No. 1, Jan. 1955,
Uncl.

ROZMEJ, Z.; DANOWSKI, K.

Experimental production of peat insulation slabs of low
absorbency. p. 50. MATERIALY BUDOWLANE, Warszawa. Vol. 9,
no. 96, July 1956.

SOURCE:

East European Acession List (EEAL) Library of Congress
Vol. 5, no. 8, August 1956.

ROZMEJ Zbigniew; RYBINSKI, Stanislaw; URUSKI, Zbigniew

Investigations on the sorption of uranium on peats. *Nukleonika*
5 no.10:661-670 '60.

1. Politechnika Gdanska, Gdansk, Katedra Technologii Chemicznej
Drewna i Torfu

KWIATKOWSKI, Aleksander; ROZMEJ, Zbigniew; SKORKO, Romuald

Refinement of peat wax. Przem chem 39 no.7:449-452 J1 '60.

1. Katedra Technologii Chemicznej Drewna i Torfu, Politechnika,
Gdansk.

ZANNES, A.N.; ROZMETAYLO, V.M.; TARASOVA, L.P.; SAPELKINA, O.R.

Investigating the metal structure of rails hardened along their
full length. Met. i gornorud. prom. no.2:40-41 Mr-Ap '65.

(MIRA 18:5)

ROZMIAREK, A., URANOWICZ, K.

ROZMIAREK, A., URANOWICZ, K. Standardization researches on the hemp fiber of the
1952 crop. Biuletyn Wlok. Lpk. p. 3.

Vol. 10, no. 6, June, 1956
PRZEMYSŁ SPOŻYWCZY
TECHNOLOGY
Warsaw, Poland

So. East Accession Vol. 6, no. 2, Feb. 1957

ROZMUS, Boguslaw, mgr inz., st. asystent

Light as a cutting tool. Przegl mech 22 no.18:567-570
25 S'63

1. Katedra Obrobki Metali, Politechnika, Wroclaw.

ROZMUS, I.; DUTKIEWICZ, J. S.; GALLUS, H.; MUZYCZUK, J.; OLPINSKI, W.

"Portable apparatus for Determination of Carbon Dioxide, Carbon Monoxide, Sulfur Dioxide, and Hydrogen Sulfide."

Główny Inst. Gornictwa, Bytom, Poland. Med. Pracy 9, 121-38 (1958).

ROZMUS, J.

7.11.54

Fuel Abst.
Vol. XV, No. 2
Feb. 1954
Natural Solid
Fuels: Winning

1027. SPONTANEOUS IGNITION OF COALS. Olpiński, W., Gabrys, P., Pawlikowski, T. and Rozmus, J. (Stalinogrod: Prace Główn. Inst. Górnic. (Contr. chief Inst. Min.), 1953, Ser. A & B, Komunik. 139, 38pp.). Experiments are recorded on the determination of internal surface of coals, on the effect of passing air through a layer of broken coal at 50 and 80°C and on spontaneous heating in apparatus representing the inside of a heap. A picture of the process of low temperature oxidation is constructed from the results obtained. It is concluded that a laboratory determination of a

coal's liability to spontaneous ignition must take account of its moisture and ash content, spontaneous ignition index and sorption of oxygen. (L).

DUTKIEWICZ, J.S.; GIEG, L.; ROZMUS, J.; STRZODA, L.

Changes in the circulatory system and in respiration in man exposed to increases in environmental temperature at rest; effect of dry heat. Acta physiol. polon 6 no.4:387-400 1955.

1. Z Sekcji Fizjologii Pracy Inst. med. Pracy w Przem. Węglowym i Huty w Rokitnicy. Kierownik: prof. dr. Br. Zawadzki
Z III Kliniki Chorob Wewnętrznych Śląskiej A.M. w Bytomiu
Kierownik: prof. dr K. Gibinski. Prace doświadczalne wykonano w Ośrodku Badań Lekarskich Ratowników przy Stacji Ratownictwa Górniczego PW w Bytomiu.

(HEAT, effect,

on blood & resp.

on blood picture, hemodynamics & resp. (Pol))

(BLOOD CIRCULATION,

hemodynamics, eff. of dry heat (Pol))

(BLOOD CELLS,

count, eff. of dry heat)

(RESPIRATION,

eff. of dry heat (Pol))

SPIOCH, Franciszek, M.; ROZMUS, Jerzy

A new method for metabolic studies in animals under varied experimental conditions. Acta physiol. pol. 14 no.6:679-688 N-D'63

L. Z Lekarskiego Ośrodka Naukowo-Badawczego Centralnej Stacji Ratownictwa Gorniczego w Bytomiu; dyrektor stacji: mgr. inż. K. Cehak; kierownik ośrodka: doc.dr. Fr. M. Spioch.

*

SPIOCH, Franciszek M.; ROZMUS, Jerzy

A simple method for the determination of oxygen utilization by small experimental animals. Acta physiol pol 12 no.2:295-302 '61.

1. Z Zakladu Fizjologii Slaskiej A.M. w Zabrze-Rokitnicy p.o.
Kierownika: dr M. Krause Z Osrodka Badan Lekarskich przy Centralnej
Stacji Ratownictwa Gorniczego w Bytomiu Dyrektor: inz. mgr K. Gehak.
(OXYGEN metab)

NORKINA, N.S.; PREDTECHENSKAYA, N.P.; ROZMYSLOVA, L.I.

Bacteriological characteristics of prepared foods according
to materials of laboratory analysis for 1958-1960. Gig. i
san. 28 no.7:98 JI '63. (MIRA 17:1)

1. Iz sanitarno-epidemiologicheskoy stantsii Moskovskogo
rayona Leningrada.

1
CZECHOSLOVAKIA

KUBES, Z., MD; ROZMATOVA, M., MD.

Pulmonary Clinic of the Medical Faculty UPjS (Plucna
klinika lekarskej fakulty UPjS), Kosice (for both)

Prague, Prakticky lekar, No 16, 1963, pp 621-622

"On the So-Called Idiopathic Synchronous Pneumothorax."

ROZMANOWICZ, F.

Role of standardization and main trends of standardization efforts in the building industry, p. 176. (PRZEGLAD BUDOWLANY, Vol. 26, No. 6, June 1954, Warszawa, Poland)

SO: Monthly List of East European Accessions, (EEAL), LC, Vol. 3, No. 12, Dec. 1954, Uncl.

POLAND / Analytical Chemistry: Analysis of Organic Substances. E-3

Abs Jour: Ref Zhur-Khimiya, No 8; 1959, 27165.

Author : Malinowski, J. and Roznarynowicz, M.

Inst : Not given.

Title : The Determination of Tributylphosphate in Petroleum and in Water.

Orig Pub: Chem Analit, 3, No 1, 67-71 (1958) (in Polish).

Abstract: A method has been developed for the quantitative determination of tributylphosphate (I). A 1-gram sample is treated with 5 ml conc H_2SO_4 and 2 ml of 30% H_2O_2 (II) and the resulting mixture is brought to boiling by heating for 10 min. The boiling is continued until the decomposition of II is complete, the residue is diluted with 50 ml water, neutralized, acidified with about 5 ml of HNO_3 (III) (sp gr

Card

POLAND / Analytical Chemistry. Analysis of Organic Substances. E-3

Abs Jour: Ref Zhur-Khimiya, No 8, 1959, 27165.

Author : Malinowski, J. and Roznarynowicz, M.

Inst : Not given.

Title : The Determination of Tributylphosphate in Petroleum and in Water.

Orig Pub: Chem Analit, 3, No 1, 67-71 (1958) (in Polish).

Abstract: A method has been developed for the quantitative determination of tributylphosphate (I). A 1-gram sample is treated with 5 ml conc H_2SO_4 and 2 ml of 30% H_2O_2 (II) and the resulting mixture is brought to boiling by heating for 10 min. The boiling is continued until the decomposition of II is complete, the residue is diluted with 50 ml water, neutralized, acidified with about 5 ml of HNO_3 (III) (sp gr

Card

ROZNATOVSKAYA, N. D.

"Effect of Living Conditions on the Lactation of Cattle." Cand Agr Sci, Kiev Order of Labor Red Banner Agricultural Inst, Min Higher Education USSR, Kiev, 1954. (KL. No 14, Apr 55)

SO: Sum. No. 704, 2 Nov 55 - Survey of Scientific and Technical Dissertations Defended at USSR Higher Educational Institutions (16).

VAYSMAN, Grigoriy Aronovich; RAPAPORT, Lev Izrailevich; KOGAN, Aleksandra Moiseyevna; ROZNATOVSKAYA, Valentina Fedorovna; SHAKH, TS.I., red.; POTOTSKAYA, L.A., tekhnred.

[Specific reactions to some new drugs] Spetsificheskie reaktsii na nekotorye novye farmpreparaty. Kiev, Gos.med.izd-vo USSR, 1960. 42 p. (MIRA 14:1)

(PHARMACOLOGY)

ROZDATSEV, Ye.S.; UMRIKHIN, A.N.

Locally relieving coal seams for the prevention of sudden outbursts
of coal and gas. Vop. gor. davl. no.17:42-49 '63. (MIRA 18:9)

1. Vostochnyy nauchno-issledovatel'skiy institut po bezopasnosti
rabot v gornoy promyshlennosti.

ROZNAYAY, K.

Determination of the sectional space requirements of railroad merchandise exceeding loading gauge.

p. 218 (Kozlekedestudományi Szemle) Vol. 7, No. 6, June 1957, Budapest, Hungary

SO: MONTHLY INDEX OF EAST EUROPEAN ACCESSIONS (EEAI) LC, VOL. 7, NO. 1, JAN. 1958

ROZNERITSA, L.A.

Pelvic phlebography in tumors of the urinary bladder. Zdravokhranenie 6 no.5:35-37 S-0'63 (MIRA 16:12)

1. Iz urologicheskoy kliniki (zav. - doktor med. nauk S.D. Gologorskiy) Kishinevskogo meditsinskogo instituta.

ROZNERITSA, L.A.

Comparative evaluation of the methods of X-ray examination in
the diagnosis of neoplasms of the urinary bladder. Trudy Kish.
gos. med. inst. 24:180-186 '64 (MIRA 18:1)

1. Urologicheskaya klinika Kishinevskogo gosudarstvennogo medi-
tsinskogo instituta.

GOLIGORSKIY, S.D.; ROZNERITSA, L.A.

Late results of adenectomy. Urologia no.4:54-55 '63.
(MIRA 17:10)

1. Iz Kishinevskogo meditsinskogo instituta i respublikanskoy
klinicheskoy bol'nitsy (glavnyy vrach T.V. Moshnyaga.)

DRAGANYUK, K.A.; ROZNERITSA, L.A.; POPUSHOY, G.A., vrach; GRINBERG, A.A.

What practicing physicians talk about. Zdravookhranenie 2
no.3:3-6 My-Je '59. (MIRA 12:10)

1. Glavnyy vrach Respublikanskogo tuberkuleznogo sanatoriya
"Vornicheny" (for Draganyuk). 2. Zamestitel' glavnogo vracha
Orgeyevskogo rayona (for Rozneritsa). 3. Sel'skiy vrachebnyy
uchastok s.Kangaz Tarakliyskogo rayona (for Popushoy). 4. Glavnyy
vrach Vulkaneshtskogo rayona (for Grinberg).
(MOLDAVIA--PUBLIC HEALTH)

L 45447-66 EWT(1)/T IJP(c) CG

ACC NR: AP6021939

(A)

SOURCE CODE: UR/0188/66/000/002/0014/0020

72
70

AUTHOR: Rozneritsa, Ya. A.

B

ORG: Department of Semiconductors, Moscow State University (Kafedra poluprovodnikov Moskovskogo gosudarstvennogo universiteta)

TITLE: Theory of the optical absorption in crystals placed in an external field

2)

SOURCE: Moscow. Universitet. Vestnik. Seriya III. Fizika, astronomiya, no. 2, 1966, 14-20

TOPIC TAGS: semiconductor research, electrooptic effect, magnetoabsorption effect, absorption band, quantum field theory, *light absorption, semiconductor crystal, electric field*

ABSTRACT: The question of light absorption by semiconductors placed in external parallel electrical and magnetic fields in the area of the edge of the main absorption band (direct transitions) is considered. General equations for the absorption coefficient for permissible and forbidden transitions are derived for use in obtaining known formulas for the absorption coefficient in the absence of external fields, as well as for the electrooptical and magnetoabsorption effects. It is shown that in a weak electrical field (with the quantized magnetic field conserved) the absorption coefficient can be presented in the form of three members, one of which coincides exactly with the absorption coefficient for light when there are no external fields, while the other two are oscillating in nature, depending on the energy of the photon when electrical and magnetic fields are constant. The author expresses his thanks to

Card 1/2

UDC: 539.293 : 535.34

L 45447-66

ACC NR: AP6021939

V. L. Bonch-Bruyevich and A. G. Mironov, who reviewed the work and provided valuable suggestions, and to V. S. Vavilov, who took an active part in the discussions. Org. art. has: 28 formulas.

SUB CODE: 20 / SUBM DATE: 07 Jul 64 / ORIG REF: 005 / OTH REF: 008

Card 2/2