

ACCESSION NR: AP4019509

density may be measured at 350-365 and at 430 millimicrons. A similar determination may be made with II, using 1:1 isoamyl alcohol:benzene solution for extraction and measuring the optical density at 360 millimicrons. It was found that: Cr (III), Ti, Co, Ni, Zn, Al, Fe and V do not affect this determination; Cu lowers the accuracy; and W in a 100:1 ratio to Mo has no effect. I does present an odor problem; II has no odor. Orig. art. has: 2 tables, 5 figures and 6 formulas.

ASSOCIATION: Moskovskiy gosndarstvennyy universitet im. M. V. Lomovosova (Moscow State University)

SUBMITTED: 27Jun63

DATE ACQ: 31Mar64

ENCL: 03

SUB CODE: CH

NR REF SOV: 006

OTHER: 004

Card 3/6

ACCESSION NR: AP4019509

ENCLOSURE: 01

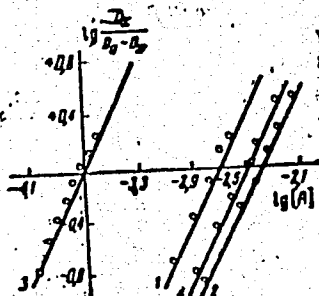


fig. 1

Determining the composition of the compound of Mo(V) with 1-mercaptopropionic acid (1), p-phenetidine-1-mercaptopropionic acid (2) and compounds of Mo(VI) with 1-mercaptopropionic acid (3) and p-phenetidine 1-mercaptopropionic acid (4)

ACCESSION NR: AP4019509

ENCLOSURE: 02

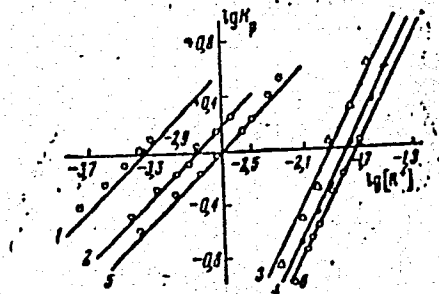


fig. 2

Relationship of $\lg K_p$ to $\lg [R^+]$ in extraction of diphenylguanidinium and benzylthiuronium salts of molybdenum compounds with 1-mercapto-proplonic acid (1-4) and with thioglycolic acid (5, 6)

1-diphenylguanidinium salt of Mo (V); 2-benzylthiuronium salt of Mo (V);
 3-diphenylguanidinium salt of Mo (VI); 4-benzylthiuronium salt of Mo (VI); 5-diphenylguanidinium salt of Mo (V); 6-diphenylguanidinium salt of Mo (VI)

Card 5/6

ACCESSION NR: AP4019509

ENCLOSURE: 03

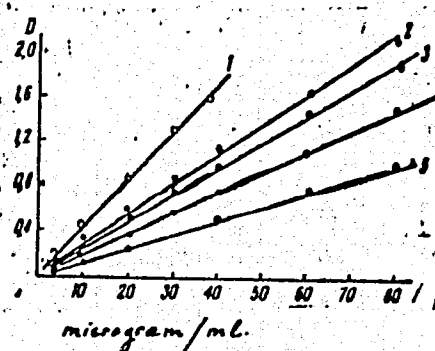


fig. 3

Calibrated graphs

1-determination of molybdenum p-phenetidine-1-mercaptpropionic acid (360 millimicrons); 2-5. determination of molybdenum 1-mercaptpropionic acid: 2-350, 3-365, 4-380, 5-430 millimicrons

Card 6/6

BUSEV, A.I.; RUDZIT, G.P.

Detection of molybdenum as a pyrocatechol-pyridine complex.
Zhur. anal. khim. 19 no. 1:102-104 '64. (MIRA 17:5)

1. Moskovskiy gosudarstvennyy universitet imeni Lomonosova.

STRADYN', P.I.[Stradins, Pauls], akademik[deceased]; GERKE, P., akad., red.;
RUDZIT, K.K.[Rudzits, K.], prof., red.; BRAMBERGA, V.,
kand. med. nauk, red.; EZERIYETIS, E.T.[Ezerietis, E.],
doktor med. nauk, red.; UTKIN, V.V., kand. med. nauk,
red.; STRADYN', Ya.P.[Stradins, J.], kand. khim. nauk,
red.;

[Selected works] Izbrannye trudy. Riga, Izd-vo AN Latvi-
iskoi SSR. Vol.1.[Lesions of the peripheral nerves and
trophic ulcers] Povrezhdeniia perifericheskikh nervov i
troficheskie iazvy. 1963. 368 p. (MIRA 17:2)

1. Akademiya nauk Latviyskoy SSR (for Gerke). 2. Deystvi-
tel'nyy chlen AN Latviyskoy SSR (for Stradyn').



BAKSHAS, Ya.[Baksas, J.]; BUMBIYERS, Ya.[Bumbiers, J.]; MITRIS, P.; RUDZIT, R.
[Rudzitis, R.]

Current control in the resistance seam-butt welding of thin sheets.
Vestis Latv ak no.9:57-60 '61.

1. Akademiya nauk Latviyskoy SSR, Institut avtomatiki i mekhaniki.

RUDZIT, R.; ZUBOVA, G., red.

[Resistance welding in instrument manufacture; a review]
Kontaknaia svarka v priborostroenii; obzor. Riga,
Latviiskii respubl. in-t nauchno-tekhn. informatsii i
propagandy, 1965. 36 p. (MIRA 19:1)

RUDZIT, R. B.[Rudzits, R.]; BAKSHAS, Ya. A.[Baksas, J.];
BUMBIYERIS, E. V.[Bumbieris, E.]; REKIS, D. M.

T-welding of relay contacts. Avtom. svar. 16 no.3:79-83
Mr '63. (MIRA 16:4)

1. Institut avtomatiki i mekhaniki AN Latvyskoy SSR (for
Rudzit, Bakshas, Bumbiyeris). 2. Gosudarstvennaya elektro-
tekhnikeskaya fabrika, Riga (for Rekis).

(Electric contactors--Welding)

ACC NR: AT7007350 (A) SOURCE CODE: UR/000/66/000/000/0090/0095

AUTHOR: Rudzit, R. B.; Bumbiyeris, E. V.; Rekis, D. M.

ORG: None

TITLE: Automatic welding of silver contacts

SOURCE: Soveshchaniye po avtomatizatsii protsessov mashinostroyeniya. 4th, 1964. Avtomatizatsiya protsessov svarki i obrabotki davleniyem (Automation of welding and pressure treatment processes); trudy soveshchaniya. Moscow, Izd-vo Nauka, 1966, 90-95

TOPIC TAGS: automatic welding, welding technology, electric relay, telephone equipment

ABSTRACT: A reliable method is proposed for controlling the welding cycle to produce silver contacts for telephone-type relays (Figure 1). Experimental data show that capacitor welding results in contacts with erratic strength properties, while AC welding with the PIT-50-2 interrupter produces contacts with more stable strength properties but without the proper shape due to shrinkage. The double-pulse ignitron interrupter shown in Figure 2 is developed to provide the proper welding cycle with respect to pulse duration and stabilization of the initial state of the weld zone. Two ignitrons with controlled thyratrons connected in the ignition circuits are used for current commutation. A phase shifter is used for controlling the ignition angle of the ignitron which passes the first half-period within a range of 44-127°. The power unit

Card 1/3

ACC NR: AT7007350

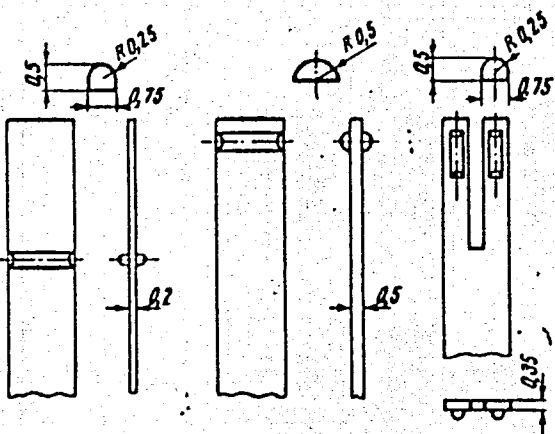


Fig. 1

P is made up of the welding transformer and ignitron contactor. Control units CUI and CUII consisting of igniting thyratrons with semiconductor triggers in their grid circuits are used for controlling the ignition circuits of the ingitrons. Trigger signal unit TSU is composed of a time relay for preliminary delay to heat the thyatron

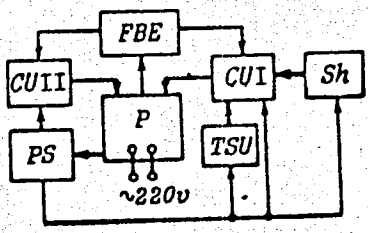


Fig. 2

Card 2/3

ACC NR: AT7007350

cathodes, an actuating button connected to a cam on the distributor shaft of the semi-automatic welder and an intermediate relay. Heating pulse shaper Sh is made up of a phase-shifting bridge, a transistor which generates square pulses, and a pulse transformer in the collector circuit with secondary winding connected in the grid circuit of a thyatron. The feedback element FBE is a step-down transformer connected in parallel with the primary winding of the welding transformer. The secondaries of this transformer are connected in the base-emitter circuits of the controlled trigger transistors. The circuit is fed by power supply PS. The thyratrons are triggered by positive pulses from the shaper. The control system incorporates semiconductors and printed circuits. Automation of the welding process is discussed and the kinematic chain of the semiautomatic welder and electrical circuit of the automatic controller are described. Orig. art. has: 7 figures.

SUB CODE: 13/ SUBM DATE: None

09/

Card 3/3

BUMBIYERIS, E.V. (Bumbieris, E.); RUDZIT, R.B.

Condenser discharge welding of silver relay contacts with preliminary shaping. Avtom. svar. 16 no.6:73-78 Je '63. (MIRA 16:7)

1. Institut avtomatiki i mekhaniki AN Latvyskoy SSR. (Electric contactors--Welding)

L 47164-66 EWT(m)/EWP(v)/T/EWP(t)/ETI/EWP(k) JD/HM

ACC NR: AR600047

SOURCE CODE: UR/0137/65/000/009/E039/E039

AUTHORS: Rudzit, R. B.; Bumbyeris, E. V.

34
B.

TITLE: Investigation of the influence of contact resistance on the process of T-type contact welding

SOURCE: Ref. zh. Metallurgiya, Abs. 9E258

REF SOURCE: Uch. zap. Rzhsk. politekhn. in-t, v. 15, 1964, 185-198

TOPIC TAGS: ^{metal} welding, silver, resistance welding

ABSTRACT: For the calculation of the thermal field within the limits of the working length of the Ag ribbon during welding with German silver, it is sufficient to take into account only the heat liberated at the contact resistance (CR) which decreases with increase in the contact temperature. The magnitude of shrinkage during T-type Ag welding with German silver is practically independent of the initial value of CR because after reaching the temperature of melting of one of the materials the intensity of heat liberation at CR falls sharply. Depending on the influence of the initial value of CR during welding on the optimum time conditions during which the temperature at the contact increases to the melting temperature, there occurs a change in the temperature (over a period of 4-18 msec) and a corresponding change in the bond strength at constant magnitude of shrinkage of 80% from the average

Card 1/2

UDC: 621.791.762

L 47164-66

ACC NR: AR6000447

value, which is caused by different temperature gradients at the contact and, hence, by the distribution of deformation at the contact. M. Frolova [Translation of abstract]

SUB CODE: 13, 11

Card 2/2 *egh*

I 21711-66 EWP(m)/EWP(v)/T/EWP(t)/EWP(k) ID/HM

ACC NR: AR6000439

SOURCE CODE: UR/0137/65/000/009/E002/E002

AUTHOR: Rudzit, R. B.; Bumbiyeris, E. V.

25
B

TITLE: Analysis of the dynamics of a compression mechanism with actuation of the current at maximum speed of the upper electrode

SOURCE: Ref. zh. Metallurgiya, Abs. 9E11

TOPIC TAGS: compression mechanism, welding electrode, welding

ABSTRACT: A compression mechanism is analyzed which has a flexible cantilever to cover the case when the welding current is actuated after reaching a specific pressure. Unlike welding (with the standard pressure mechanism, actuation of current by shifting of the upper electrode at maximum speed permits concentrated heating of contact areas at a minimum pressure with the subsequent setting of parts by increased pressure. This pressure change cycle increases the stability of the welding process and improves the quality of welds. M. Frolova

[MT] ✓

SUB CODE: 13, 11

SUBM DATE: --Sep65/

Card 1/1 1/195

UDC: 621.791.76.011

RUDZIT, V. [Rudzite, V.]; KUNDZINYA, I. [Kundzina, I.]

Effect of perorally administered tryptophan on the blood picture in patients with malignant neoplasms treated with Thio-TEPA, cyclophosphane or X rays. Izv. AN Latv. SSR no.10:87-94 '63. (MIRA 17:1)

1. Institut eksperimental'noy i klinicheskoy meditsiny AN Latvyskoy SSR.

*

RUDZIT, V. [Rudzite, V.]

Effect of the peroral administration of tryptophan on the
blood picture in cases of leucopenia. Izv. AN Latv. SSR
no.5:113-120 '63. (MIRA 17:1)

1. Institut eksperimental'noy i klinicheskoy meditsiny AN
Latviyskoy SSR.

*

44027

S/851/62/000/028/003/015
D296/D307

272400
AUTHOR:

Rudzit, V.K.

TITLE:

Changes occurring in the number of mast cells and eosinophils of the skin, mesentery and omentum in white rats suffering from radiation sickness and kept on different diets

SOURCE:

Akademiya nauk Latvviyskoy SSR. Institut eksperimental'noy i klinicheskoy meditsiny. Trudy. no. 28, 1962. Znachenkiye faktora pitaniya v profilaktike luchevoy bolezni. no. 4, 31 - 39

TEXT: 189 rats were kept for 21 days on an improved diet consisting of milk, meat, yeast, various cereals, brown bread and vegetables; 20 control rats were kept on the standard laboratory diet. After 3 weeks, 21 rats among those kept on the improved diet were killed and investigated. 84 more rats of the same group were kept on a diet of wheat biscuits containing 25 % of a protein-vitamin complex and the remaining 84 rats were kept on wheat biscuits alone i.e. on a diet deficient in proteins and vitamins. After 30 days, Card 1/2

Changes occurring in the number ...

S/851/62/000/028/003/015
D296/D307

14 rats in each group were killed and investigated. 44 rats of each group were exposed to total body radiation with gamma rays (700 r) emitted by the Γ YT Co-400-1 (GUT Co-400-1) apparatus; 26 rats in each group were not exposed to radiation. More experimental animals from each group were killed on the 2nd, 5th, 10th, 20th and 50th day after exposure to radiation. The mesentery and the omentum of all the killed rats were fixed with methyl alcohol and stained with Romanowsky's stain. Paraffin sections of the skin were stained by the same method. It was found that in animals kept on an improved diet the number of mast cells increased above the control normal. In animals kept on a diet relatively deficient in proteins and vitamins the number of mast cells was decreased. Gamma radiation caused a decrease in the number of mast cells in both groups; this was more marked in animals kept on a deficient diet. The number of eosinophils in the omentum increased after exposure to radiation, to an extent independent of the diet. There are 10 figures.

Card 2/2

RUDZITE, V.

Morphologic changes of fat cells in experimental sarcoma S 465; a review of literature. In Russian. p. 115

LATVIJAS PSR ZINATNU AKADEMIJA. VESTIS. RIGA, LATVIA. No. 3, 1959

Monthly List of East European Accessions. (EEAI) IC, Vol. 9, no. 2, Feb. 1960 Uncl.

RUDZITIS, G.; Veinberga, I.; Linde, E.

Chemical and microbiological composition of sapropel mud of Kaniers Lake.
Report I. p. 91.

LATVIAS PSR ZINATNU AKADEMIJA. VESTIS. RIGA, LATVIA. No. 7, 1959

Monthly List of East European Accessions. (EEAI) LC, Vol. 9, no. 2,
Feb. 1960 Uncl.

LINDE, E. (Riga); VEINBERGA, T. (Riga); RUDZITIS, G. (Riga)

Short chemanalytic data and microbiologic characteristics of sapropel
mud in Babite Lake. Vestis Latv ak no. 11:121-126 '60.
* (EEAI 10:9)

1. Latvijas PSR Zinatnu akademijs, Mikrobiologijas instituts.

(Latvia--Sapropels) (Latvia--Mud)

RUZDIY, A.A. (Brotsey, Latvyskoy SSR)

Old style shaft kilns must be redesigned. Stroi. mat. 9
no.6:7 Je '63. (MIRA 17:8)

RUDZKA, F.

The alce, symbol of longevity. Wezechwiat no. 5116 My'64.

RUDZKA, E.

The cedars of Lebanon. Wszechswiat no. 6:139-140 Je '64.

HUSEKI, Andrzej, mgr inż.

Regenerative frequency divider with amplitude chopping. Przegl
telekom 36 no.7/3:197-203 JI-Ag'64

1. Department of Radio and Television Installations, Technical
University, Warsaw.

RUDZKI, Edward; BLASZCZYK-JANISZEWSKA, Maria

An allergic factor in infectious inflammatory conditions.
Przegl. dermat. 50 no.2:173-182 Mr-Je'63.

1. Z Kliniki Dermatologicznej AM w Warszawie (kierownik:
prof.dr.S.Jablonska).

*

RUDZKI, Edward; MOSKALEWSKA, Krystyna

Skin reactions and exposure in the evaluation of the role of bacterial allergy in skin diseases. *Przegl. dermat.* 52 no.1:37-43
Ja-F'65.

1. Z Kliniki Dermatologicznej Akademii Medycznej w Warszawie
(Kierownik: prof. dr. S. Jablonska).

IBUZI, Edward

On the value of skin tests with penicillin. Pol. tyg. lek.
20 no.16:547-548 19 Ap '65.

1. Z Kliniki Dermatologicznej AM w Warszawie (Kierownik:
prof. dr. S. Jablonska).

BUJAK, Edward; MACIEJOWSKA, Ewa; MUSKALEWSKA, Krystyna

Exposure to streptococcal and staphylococcal antigens in allergic skin diseases. Przegl. derm. 52 no.3:233-236 Ky-30 1965.

1. Kliniki Dermatologicznej AM w Warszawie (Kierownik: prof. dr. S. Jablonska).

RUDZKI, Edward; MOSKALEWSKA, Krystyna; MACIEJOWSKA, Ewa

Allergic effect of pyogenic skin diseases. Przegl. dermat. 52
no.4:367-371 J1-Ag '65.

1. Z Kliniki Dermatologicznej AM w Warszawie (Kierownik: prof.
dr. S. Jablonska).

RUDZKI, Edward

Delayed allergic response to proteins, tissue antigens, and micromolecular substances. Przegł. derm. 51 no.2:181-184 Mr-Apr '64.

1. Z Kliniki Dermatologicznej Akademii Medycznej w Warszawie (Kierownik: prof. dr S. Jablonska).

RUDZKI, Edward; FILIPOWICZ-BANACHOWA, Alina; JUNGERMAN, Dorota; MACIEJOWSKA, Ewa; MOSKALEWSKA, Krystyna; BLACZCZYK, Maria

Late allergy in repeated infections of rabbits with staphylococci.
Med. dosw. mikrobiol. 16 no.1:51-54 '64.

1. Z Kliniki Dermatologicznej (Kierownik: prof. dr S. Jablonska);
Z Kliniki Okulistycznej (Kierownik: prof. dr S. Altenberger
[deceased]) i z Zakladu Mikrobiologii Lekarskiej (Kierownik: prof.
dr F. Mikulaszek) Akademii Medycznej w Warszawie.

HUDZKI, Edward; MOSKALEWSKA, Krystyna; MACIEJCZAK, Ewa

Delayed skin reactions to streptococcal and staphylococcal antigens in man. Przegl. dermatol. 52 no.2:129-136 Mar-Apr '65

1. Z Kliniki Dermatologicznej Akademii Medycznej w Warszawie (Kierownik: prof. dr. S. Jablonska).

RUDZIŃSKI, Edward; MOSEKALEWSKA, Krystyna

Detection of infectious foci and serological studies in the evaluation of the role of bacterial allergy in skin diseases. Przegł. dermat. 51 no.4: 35-441 JI-Ag '64

1. Z Kliniki Dermatologicznej Akademii Medycznej w Warszawie (Kierownik: prof. dr. S. Jabłonska).

RUDZKI, Edward; JAKUBOWICZ, Kazimierz; SANCUSKA, Hanna; KWIAKOWSKA, Alicja

Determination of late allergy to streptococci in vitro. Med. dozw.
mikrobiol. 16 no.2:73-78 '64.

1. Z Kliniki Dermatologicznej Akademii Medycznej w Warszawie
(Kierownik: prof. dr. S. Jablonska).

RUDEKI, Edward; MOSKALEWSKA, Krystyna; MACIEJOWSKA, Ewa; BLASZCZYK, Maria

Immediate allergy to pus bacteria. Przegl. dermat. 51 no.6:627-633
N-D '64

1. Z Kliniki Dermatologicznej Akademii Medycznej w Warszawie
(Kierownik: prof. dr. S. Jablonska).

RUDZKI, Edward; JUNGIERMAN, Dorota; BLASZCZYK, Maria; MOSKALEWSKA, Krystyna;
MACIEJOWSKA, Ewa

Early allergy in repeated infections of rabbits with
staphylococci. Med. dosw. mikrobiol. 16 no.1:45-50 '64.

1. Z Kliniki Dermatologicznej (Kierownik: prof. dr S. Jablonska)
i z Zakladu Mikrobiologii (Kierownik: prof. dr E. Mikulaszek).

CHORZELSKI, Tadeusz; RUDZKI, Edward; GUTNIAK, Olga

Porphyria cutanea tarda. Przegl. dermat. 48 no.1:27-36 '61.

1. Z Kliniki Dermatologicznej A.M. w Warszawie Kierownik: prof. dr
S. Jablonska Z Instytutu Badan Jadrowych - Zaklad Ochrony Zdrowia
Kierownik: doc. dr E. Kowalski.

(PORPHYRIA)

RUDZKI, F.

From the activities of the Club for Engineering and Production Efficiency in the Sobieszow State Forest District. p. 31

IAS POLSKI. (Ministerstwo Lesnictwa oraz Stowarzyszenie Naukowo-Techniczne Inzynierow i Technikow Lesnictwa i Drzewnictwa) Warszawa, Poland. Vol. 29, no. 1, Jan. 1955

Monthly list of East European Accessions (EEAI) LC, Vol. 9, no. 2, Feb. 1960

Uncl.

RUDZKI, Michal, inz.

Rafamet machine tools on the world market. Przegl techn 85
m. 42:8 13 0 '64.

RUDZKI, W.

Estimation of mean properties of shapeless products. Zastos mat
6 no.3:235-248 '62.

1. Instytut Matematyczny, Polska Akademia Nauk, Warszawa.

RUDZKI, W.

Sampling of shapeless products undergoing delamination.
Zastos mat 7 no.3:223-233 '64.

1. Institute of Mathematics, Polish Academy of Sciences,
Warsaw.

RUEBENBAUER, Tadeusz (Krakow)

Comm in the United States. Wszechswiat no. 7/8:160-163 J1-Ag
'63.

VAJDA, Miklos, dr. (Budapest, VIII., Muzeum korut 4/b); RUFF, Ferenc
(Budapest, VIII., Muzeum korut 4/b)

Infrared spectroscopic investigation of isobenzpyrylium salts.
Acta chimica Hung 40 no. 2:217-224 '64.

Studies on the ultraviolet absorption of l-aryl-isobenzmyry-
lium salts. Ibid.:225-234

1. Institute of Organic Chemistry, Lorand Eotvos University,
Budapest.

KUCSMAN, Arpad, dr. (Budapest, "III., Muzeum korut 4/b); KAPOVITS, Istvan, dr. (Budapest, VIII., Muzeum korut 4/b); RUFF, Ferenc (Budapest, VIII., Muzeum korut 4/b)

On the infrared absorption of N-acyl sulphilimines. Acta chimica Hung 40 no. 1:75-77 '64.

1. Institute of Organic Chemistry, Lorand Eotvos University, Budapest.

L 63939-65 RM

ACCESSION NR: AT5022530

HU/2502/64/042/002/0145/0148

AUTHOR: Gerecs, Arpad (Professor, Doctor)(Budapest); Foti, Andras (Budapest);
Ruff, Ferenc (Budapest)

TITLE: Acetates of D-glucose, D-xylose, and D-mannose-2, 4-dinitro-phenylhydrazone

SOURCE: Academiae scientiarum hungaricae. Acta chimica, v. 42, no. 2, 1964, 145-148

TOPIC TAGS: acetate, acetic anhydride, UV spectroscopy, IR spectroscopy, chemical reaction

Abstract: [German article] Acetates of the cyclic 2,4-dinitro-phenylhydrazones of D-glucose, D-mannose, and D-xylose were obtained by treating these compounds with acetic anhydride containing traces of quinoline or pyridine at a temperature of 80-120°C. The products of the reactions were investigated; however, their precise construction was not established. Ultraviolet and infrared spectroscopic data indicate that the three compounds are hydrazones containing one NH group each. Orig. art. has 1 graph and 1 formula.

ASSOCIATION: Lehrstuhl für Chemische Technologie der L. Eotvos Universität, Budapest (Department of Chemical Technology, L. Eotvos University)

Card 1/2

L 63939-65

ACCESSION NR: AT5022530

SUBMITTED: 01Apr64

NO REF SOV: 000

ENCL: 00

OTHER: 005

SUB CODE: 00, 00

JPRS

dm
Card 2/2

SISKA, Miklos; CLAUDER, Otto; RUFF, Ferenc; MAGDA, Katalin; SZEKI, Jozsef

New phenothiazine derivatives II. Acta pharm. Hung. 35 no.6:
272-279 N '65.

1. Submitted June 14, 1965.

BURGER, Kalman; RUFF, Imre

Some theoretical and practical questions on the analytic application of organic reagents.Pt.3. Magy kem folyoir 70 no.5:226-232 My '64.

1. Chair of Inorganic and Analytic Chemistry, Lorand Eotvos University, Budapest.

RUFFERT, Svatopluk, dr. CSc.

Methods of affirming labor economy requirements and views in
production programming. Prace mzda 12 no.6:280-287 Je '64

1. Research Institute of the Food Industry Economy, Prague.

RUFON, Yu.N.; MARKOVA, Z.A.

Formation of metallic nickel in the thermal decomposition of nickel carbonate. Kin. i kat. 6 no.4:731-732 JI-Ag '65. (MIRA 18:9)

1. Institut khimicheskoy fiziki AN SSSR.

RUISZ, Rezsó, dr.

Automation in commerce. *Műsz. élet* 19 no.13:1, 12 18 Je '64.

RUISZ, Rezsó, dr.

Automatic devices in passenger service. Musz elet 19
no.12:15 4 Je '64.

RUISZ, Rezzo, dr., okleveles kozgazda

Automatic devices in passenger service. Kozl tud sz 14 no.3:
138-143 Mr '64.

1. Division Chief, Internal Trade Research Institute, Budapest,
and Editorial board member, "Kozlekedestudomanyi Szemle."

CONTEA, L.; SUTESCU, Paraschiva; RUJINSKI, Alice

Research on the energetic requirements of women during pregnancy and lactation. Fiziol. norm. pat. 11 no.1:47-53 Ja-F '65.

1. Catedra de alimentatie, Institutul medico-farmaceutic, Bucuresti.

KAZMIERCZAK, Kazimierz, inz.; RUKASZ, Andrzej, inz.; OSRODEK,
Tadeusz, inz.

Some properties of the lignum vitae. Bud okretowe Warszawa 9
no.6:206-208, 209 Je '64.

1. Gdansk Shipyard.

USSR/General and Specialized Zoology - Insects. Harmful Insects and Acarids. Chemical Means in the Control of Harmful Insects and Acarids. P

Abs Jour : Ref Zhur Biol., No 6, 1959, 25438

Author : Rukavishnikov, B.I.

Inst : -

Title : Acquirement of Resistance to Toxins by Insects and Acarids

Orig Pub : Zashchita rast. ot vredit, i bolesney, 1958, No 3, 49-51

Abstract : No abstract.

Card 1/1

S/020/60/131/06/008/071

AUTHOR: Rukhadze, L. R.

TITLE: Local Duality Theorems 16

PERIODICAL: Doklady Akademii nauk SSSR, 1960, Vol. 131, No. 6,
pp. 1257-1260

TEXT: In the n-dimensional spherical space the author considers several local groups and defines for them the multiplication. He states that the considered groups are dual with respect to the defined multiplication. Altogether there are three theorems and two lemmata. The author mentions Aleksandrov, Pontryagin and G. S. Chogoshvili. There are 7 references: 4 Soviet and 3 American.

ASSOCIATION: Tbilisskiy gosudarstvennyy universitet imeni J. V. Stalina (Tbilissi State University imeni J.V. Stalin)

PRESENTED: December 26, 1959, by P. S. Aleksandrov, Academician

SUBMITTED: December 24, 1959



Card 1/1

TERAPEVICH, A.P.; LITVIN, K.I.; RUKHADZE, Ye.G.

Obtaining pure precipitates by the method of nascent reagents.
Zhur. anal. khim. 18 no.3:406-407 Mr'63. (MIRA 17:5)

1. Moskovskiy gosudarstvennyy universitet imeni Lomonosova.

TERENT'YEV, A.P.; RUKHADZE, Ye.G.; PANOVA, G.V.

Four-coordinate chelates with unequally paired ligands. Dokl.
AN SSSR 155 no. 4:872-873 Ap '64. (MIRA 17:5)

1. Moskovskiy gosudarstvennyy universitet im. M.V.Lomonosova.
Chlen-korrespondent AN SSSR (for Terent'yev).

BURACZEWSKI, Olgierd; RUDZINSKA, Henryka; SZACILLO, Zofia

Appearance of pulmonary cancer and of other malignant tumors of the respiratory system in Poland during 1951-56. Gruzlica 27 no.5: 419-432 My '59.

1. Z Działu Metodyczno-Organizacyjnego Instytutu Gruzlicy. Kierownik: doc.dr med. O. Buraczewski. Dyrektor: prof.dr med. J. Misiewicz [deceased].

(LUNGS neoplasms)

(RESPIRATORY SYSTEM neoplasms)

BURACZEWSKI, Olgierd; RUDZINSKA, Henryka; SZACILLO, Zofia

Morbidity and recently-uncovered cases of tuberculosis (infectivity) according to statistics of anti-tuberculosis clinics in 1957. Gruzlica 27 no.7:665-683 J1 '59.

1. Z Działu Metodyczno-Organizacyjnego Instytutu Gruzlicy. Kierownik Działu: doc.dr O. Buraczewski. Dyrektor: prof.dr J. Misiewicz [deceased].

(TUBERCULOSIS epidemiol.)

RUDZINSKA, Maria A.; TRAGER, William

The mechanism of feeding of Plasmodium malariae; electron-microscopic studies. Wiadomosci parazyt., Warsz. 4 no.5-6:617-618; Engl. transl. 618-619 1958.

1. The Rockefeller Institute for Medical Research New York 21, USA.
(PLASMODIUM MALARIAE,
feeding, electron microscopy (Pol))
(MICROSCOPY, ELECTRON,
of Plasmodium malariae feeding (Pol))

RUDZINKI, H

ABC z zakresu higieny przemyslu miesnego (The ABC of hygiene in the meat industry.)
p63

Monthly Index of East European Accessions (EEAI) IC, Vol 8, no. 1 Jan 59.

COUNTRY:	: Poland	H-22
CATEGORY:	:	
ABS. JOUR.:	: RZKhim., No. 5 1960, No. 19356	
AUTHOR:	: Rudzinska, J., Lesniewicz, L., Kigewski, W., *	
TITLE:	: Not given	
ORIG. PUB.:	: An Experimental Gas Producer Using a Solid Heat Transfer Agent	
ABSTRACT:	: Gaz Woda i Techn Sanit, 33, No 4, 130-135 (1959)	
CARD: 1/3	: A three-zone gas producer is described consisting (from top to bottom) of a ceramic cylinder (zone in which the heat transfer agent (T) is heated), a cylindrical reactor, and a distributor bin from which the solid residues are discharged and the T is returned to the heating zone by conveyer. The T (corundum balls of 10-mm diam) is effected by the combustion of gas [natural?] in burners mounted below the heating zone. Powdered coal and a carrier gas are injected below the reactor counter-	
	: * Tromszczynski, J., and Pleskatz, J.	

COUNTRY :	Poland	H-22
CATEGORY :		
NO. JOUR. :	RZKhim, No. 5 1960, No.	19356
NO. :		
TITLE :		
ISS. PUB. :		
ABSTRACT :	current to the descending T. The T has a surface of 360 m ² per m ³ of reactor volume. In a first series of experiments on the heat treatment of one ton of coal (grain size 0-1.5 mm, moisture content 8.04%, ash content 9.45%, volatile matter 32.66%), the coal was fed in at the rate of 20 kg/hr, the velocity of the particles in the reactor was 4 m/sec, the T was heated to 1,100° and left the reactor at 235°: the thermal efficiency in the heating zone was 46.3%, and for the installation as a whole	
CARD: 2/3	315	

COUNTRY	: Poland	H-22
CATEGORY	:	
ABS. JOUR.	: RZKhim., No. 5 1960, No.	19356
AUTHOR	:	
INSTR.	:	
TITLE	:	
ORIG. PUB.	:	
ABSTRACT	: 29.4%. Stable operation could not be achieved in this series of experiments. An attempt to utilize the above installation for the production of unsaturated hydrocarbons (e.g., ethylene) is noted.	
CARD:	3/3	

MIACZYNSKI, Tadeusz, mgr., lekarz weterynarii; RUDZINSKI, Edward, mgr., inz.

Growth of carp kept for a while in aquariums. Acta hydrobiol 3 no.2/3:
165-174 '61.

1. Pracownia Chorob Ryb, Instytut Weterynarii, Krakow, Plac Wolnosci 8
(for Miaczynski) 2. Zaklad Biologii Wod, Polska Akademia Nauk, Krakow,
ul. Slawkowska 17 (for Rudzinski)

RUDZINSKI, Edward, mgr., inz.; MIACZYNSKI, Tadeusz, mgr., lekarz weterynarii

Midget carp from Piszczowice. Acta hydrobiol 3 no.2/3:175-198 '61.

1. Zaklad Biologii Wod, Polska Akademia Nauk, Krakow, ul. Slawkowska 17
(for Rudzinski) 2. Pracownia Chorob Ryb, Instytut Weterynarii, Krakow,
Plac Wolnosci 8 (for Miaczynski)

ZGLICZYNSKI, Leszek; NOWKUNSKI, Jerzy; BOWKIEWICZ, Janusz; RUDZINSKI, Jerzy;
MIERNOWSKI, Stanislaw

Clinical application of pelvic arteriography in obstetrics and
gynecology. Polski przezl.radiol. 23 no.6:419-426 N-D '59.

1. Z Zakladu Radiologii Lekarskiej Instytutu Doskonalenia, i
Specjalizacji Kadr Lekarskich Kierownik: prof. dr nauk med.
W. Zawadowski Z Kliniki Poloznictwa i Chorob Kobietych Instytutu
Matki i Dziecka w Warszawie Kierownik: prof. dr med. J. Lesinski.
(ANGIOGRAPHY)
(PELVIS blood supply)

RUDZIŃSKA, J.

✓ Gasification of gas-flaming coals in retorts. W. Kijewski,
Naczyński, J. Rudzińska and J. Tronaszczyński, *Prace Inst.
Minist. Hutn.*, 1938, 8, 313-319. — Successful trials of the use of
gas-flaming coals (sic) instead of gas coals in retorts for gas manu-
facture are described. (From English summary) J. S. Cow

BURACZEWSKI, Olgierd, Warszawa, Plocka 26; RUDZINSKA, Henryka

Epidemiology of tuberculosis in Poland; 1. mortality rate.
Gruzlica 22 no.10:721-732 Oct 54.

1. Z dzialy metodyczno-organizacyjnego instytutu gruzylicy;
kierownik - dr. med. O.Buraczewski, dyrektor-prof. dr. Janina
Misiewicz

(TUBERCULOSIS, epidemiology
in Poland, mortal, statist.)

Buraczewski, Olgierd
BURACZEWSKI, Olgierd; JUCHNIEWICZ, Mieczyslaw; RUDZINSKA, Henryka

New epidemiological data on tuberculosis in Poland. Gruzlica
25 no.2:129-154 Feb 57.

1. Z Działu Metodyczno-Organizacyjnego Instytutu Gruzlicy
Kierownik: doc. dr. O. Buraczewski Dyrektor: prof. dr. J. Misiewicz.
Adres: W-wa, ul. Plocka 26.
(TUBERCULOSIS, PULMONARY, epidemiol.
in Poland (Pol))

BURACZEWSKI, Olgierd; RUDZINSKA, Henryka

Present epidemiological picture of tuberculosis in Poland; II.
Frequency of infection, morbidity and incidence. Gruzlica 22
no.12:867-876 Dec. '54.

1. Z Działu Metodyczno-Organizacyjnego Instytutu Gruzlicy.
Kierownik: doc.dr O. Buraczewski, Dyrektor: dr. J. Misiewicz,
Warszawa, Plocka 26.

(TUBERCULOSIS, epidemiology,
in Poland)

BURACZEWSKI, Olgierd; RUDZINSKA, Henryka

Present epidemiological picture of tuberculosis in Poland; II.
Frequency of infection, morbidity and incidence. Gruzlica 22
no.12:867-876 Dec. '54.

1. Z Działu Metodyczno-Organizacyjnego Instytutu Gruzlicy.
Kierownik: doc.dr O. Buraczewski, Dyrektor: dr. J. Misiewicz,
Warszawa, Plocka 26.
(TUBERCULOSIS, epidemiology,
in Poland)

BURACZEWSKI, Olgierd; KRZYSZKOWSKA, Anna; RUDZINSKA, Henryka

Infant mortality from tuberculosis in the age 0 to 2 years in
Warsaw in the years 1950-1952. Gruzlica 22 no.9:643-652 Sept 54.

1. Z Działu Metodyczno-Organizacyjnego Instytutu Gruzlicy;
Kierownik: dr. O.Buraczewski, Dyrektor: prof. dr. J.Misiewicz
(TUBERCULOSIS, statistics
in Poland, inf. mortal.)

RUEZINSKA, J., Tromszczynski, J.

Instrumentation in the gas industry. p. 71.
(KOKS, SMOLA, GAZ. Vol. 1, no.2, Apr./June 1956, Katowice, Poland)

SO: Monthly List of East European Accessions (EEAL) LC. Vol. 6, no. 12, Dec. 1957.
Uncl.

~~RUZINSKI, J.~~

TECHNOLOGY

PERIODICAL: POHLARN, AUTOMATYKA, KONTROLA. Vol. 4, No. 8, Aug. 1958

RUZINSKI, J. The problem of control and automatic regulation in the gas industry. p. 332.

Monthly List of East European Accessions (EMAI) LC Vol. 8, No. 4
April 1959, Unclass.

The heating ...
...
...
properties are of ... the ... as from ...
... F. J. Hendel

POLAND/Chemical Technology. Chemical Products and Their Application. Electrochemical Industries. Electroplating. Galvanic Cells H-12

Abs Jour : Ref Zhur - Khim., No 24, 1958, No 82313

Author : Rudzinski C.

Inst :

Title : Electrolytic Processing of the Rotographycal Cylinders. I. Copper Coating of Cylinders in Accordance with the Ballard's Method.

Orig Pub : Poligrafika, 1957, 9, No 10, 5-8

Abstract : The basic principle of the Ballard's method consists in depositing of a very thin copper layer on a highly polished cylinder. The layer thickness is sufficient for etching only once. The preparation of cylinders for copper plating is described. Depending on the initial condition of a cylinder, two stages of the preliminary cooper plating are cited prior to building to the required dimentions. After the above operations are performed, diameter of the cylinder

Card : 1/3

POLAND/Chemical Technology. Chemical Products and Their Application. Electrochemical Industries. Electroplating. Galvanic Cells H-12

Abs Jour : Ref Zhur - Khim., No 24, 1958, No 82313

core should be by 0.2-0.3 mm smaller than the final diameter required for printing. When unplated cylinders are used, the first step in the preliminary processing is the copper plating step. Composition and method of preparation of the bath and physical and chemical conditions of the process are presented. Instead of copper plating, nickel plating may be employed, particularly in the case of cast iron cylinders. When copper plated cylinders are used the plating step is omitted. The second step of preparation consists in building up of the cylinder body up to the required dimensions and prior to the deposition of a thin final layer. This step is accomplished in a rapid acting electrolyte. In conclusion, the bases of calculations of the time required for plating are presented together with examples from actual practice. The interdependence between the potential

Card : 2/3

POLAND/Chemical Technology. Chemical Products and Their Applica- H-12
tion. Electrochemical Industries. Electroplating. Gal-
vanic Cells

Abs Jour : Ref Zhur - Khim., No 24, 1958, No 82313

and amperage for different cylinder submergence conditions
and temperatures of the electrolyte are indicated.--
A. Vzheshinskiy

Card : 3/3

POLAND/Chemical Technology. Chemical Products and H
Their Uses. Part IV. Cellulose and Its
Derivatives.

Abs Jour : Ref Zhur-Khiniya, No 15, 1958, 52349

Author : Rudzinski, Cz.

Inst : -

Title : Composition and Properties of Rotographic
Paper.

Orig Pub : Poligrafika, 1957, 9, No 3-4, 9-14

Abstract : Production, composition and properties of
rotographic paper and its quality require-
ments were described. -- Ya. Shteynberg

Card : 1/1

165

SAWINSKI, Igor, mgr inz.; RUDZINSKI, Jerzy, mgr inz.; ROMANCZUK, Tadeusz,
mgr inz.; DEPCZYNSKI, Tadeusz, mgr inz.

Development of technological ideas in the shipyard in Danzig.
Bud okretowe Warszawa 8 no.11:381-398 N'63.

1. Stocznia Gdanska, Gdansk.

RUDZINSKI, Stanislaw

Bachache. Postepy reumat. no.3:81-132 1957.

1. Z Instytutu Reumatologicznego w Warszawie. Dyrektor: prof. dr.
E. Reicher.

(BACHACHE (Pol))

RUBZINSKIY, D. D.

Electric Currents - Grounding; Dynamos

Operation of protective devices against ground short circuit of generators. Elek. Sta. No. 1, 1952. Inzh. Uzbekenergo

Monthly List of Russian Accessions, Library of Congress, March, 1952. UNCLASSIFIED.

RUDZINSKI, J.

RUDZINSKI, J. Achievements of industrial geography abroad in the light of research trends in Poland. p. 505.

Vol. 28, no. 3, 1956
ATLAS POLSKICH STROJOW LUDOWYCH
Poland

So: East European Accession, Vol 6, No. 5, May 1957

RUDZINSKI, S.

We facilitate ensilage by drying fodder difficult to ensile. p. 91. (NOWE ROLNICTWO. Vol. 2, no. 10, Oct. 1953)

SO: Monthly List of East European Accessions, L.C., Vol. 3, No. 4, April, 1954

NOSOV, S. and HUDZIT, A.

Dobit'sia rezkogo uvelichenia vodnykh perevozok v plane 1932 g. To achieve a
marked increase of river shipping in the plan for 1932/. (Sots. transport, 1931,
no. 12, p. 91-101).

SO: Soviet Transportation and Communications. A Bibliography, Library of Congress,
Reference Department, Washington, 1952, Unclassified.

RUDZIT, A.

Volgo-Dono-Azovskaia magistral' v sviazi s obshchei transportnoi problemoi v zasushlivykh raionakh. [The Volga-Don-Azov Waterway in connection with the general transportation problem, in dry regions]. (Sel'sko-khoziaistvennaia zhizn', 1925, no. 23-24, p. 10-12). DLC: S13.S858

SO: SOVIET TRANSPORTATION AND COMMUNICATIONS. A BIBLIOGRAPHY. Library of Congress Reference Department, Washington, 1952, Unclassified.

RUDNIT, A. I.

Magistral' Sibir'-Srednaia Aziia (Turkestan-Sibirskaiia zheleznaia doroga).
/ The Turkestan-Siberian railway - Siberia-Central-Asia/. (Severnaia Aziia,
1928, no. 2, p. 5-34).

DLC: H8.S4 Slav.

SO: Soviet Transportation and Communications, A Bibliography, Library of Congress
Reference Department, Washington, 1952, Unclassified.

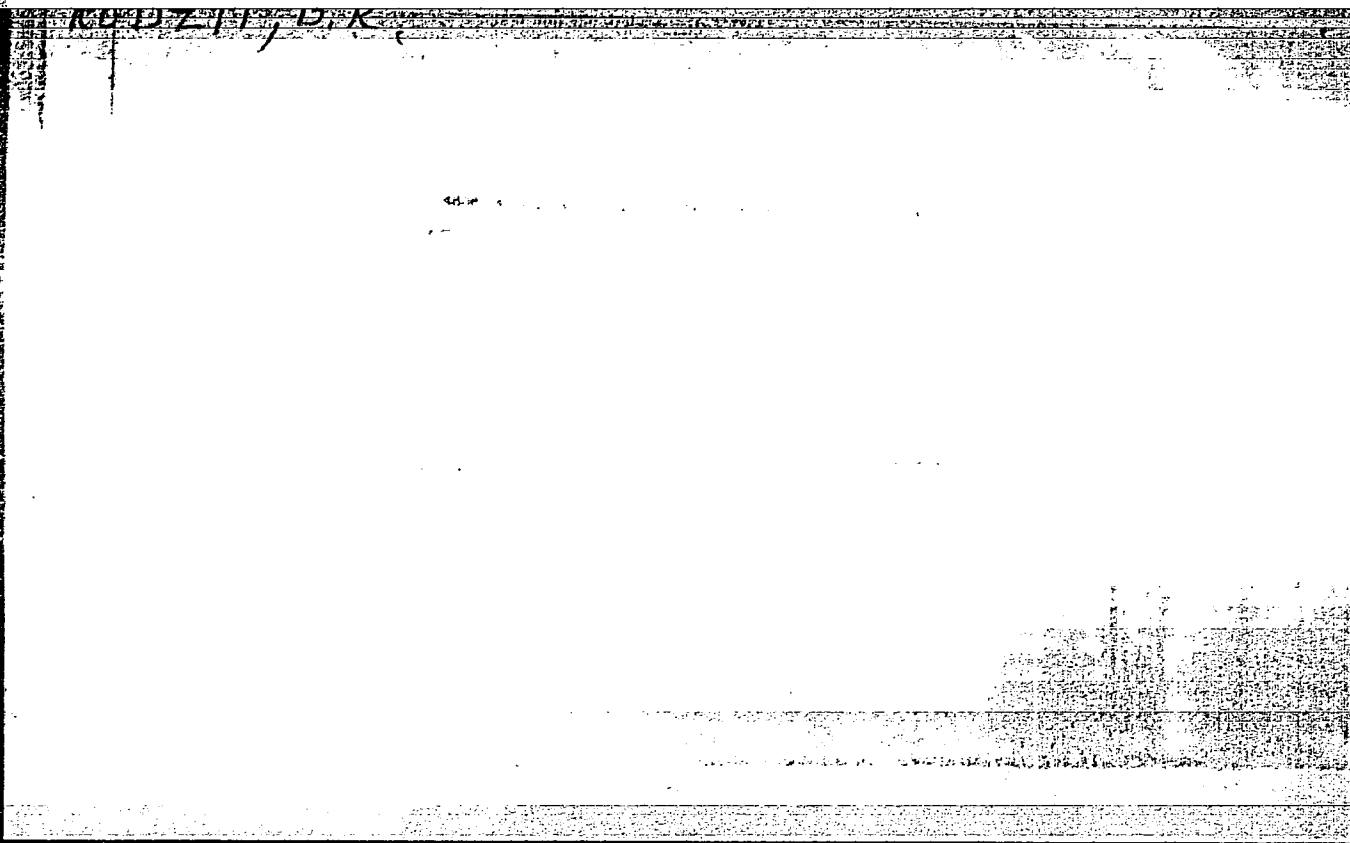
RUDZIT, A. ^YU.

Sostoianie i razvitie sukhoputnogo transporta na Severe. The state and development of land transportation in the North. (Doroga i Avtomobil', 1936, DLC: TE4.D6

SO: Soviet Transportation and Communication, A Bibliography. Library of Congress, Reference Department, Washington, 1952, Unclassified.

"APPROVED FOR RELEASE: 08/22/2000

CIA-RDP86-00513R001446010009-6



APPROVED FOR RELEASE: 08/22/2000

CIA-RDP86-00513R001446010009-6"

RUDZIT, E.A.

Renal and extrarenal purification of the blood plasma of penicillin in rabbits in normal conditions and in experimental staphylococcal intoxication. Antibiotiki 7 no.6:531-537 Je '62. (MIRA 15:5)

1. Otdel eksperimental'noy khimioterapii (zav. - prof. A.M.Chernukh)
Instituta farmakologii i khimioterapii AMN SSSR.
(PENICILLIN) (KIDNEYS) (STAPHYLOCOCCAL DISEASE)

BUSEV, A.I.; RUDZIT, G.P.

Complex diphenylguanidinium compounds of molybdenum with thioglycolic and thiomalic acids and their analytical application. Zhur.anal.khim. 18 no.7:840-850 J1 '63. (MIRA 16:11)

I. M.V. Lomonosov Moscow State University.

RUDZIT, G. P.

A. S. GINZBERG, Trav. inst. petrog. acad, sci, URSS, No. 7-8, 263-308, 1936

RUDZIT, Kristan Kristanovich (Riga Medical Institute) for Doctor of
Medical Sciences (for joint work) and for Professor.

(BRVISSO USSR, 2-61, 20)

96

RUDZIT, M., inzhener.

New screen sizing brush guides. Muk.-elev.prom. 20 no.3:23
Mr '54. (MLBA 7:7)

1. Rizhskaya mel'nitsa No. 2 kombinata "Krasnyy Oktyabr'".
(Grain milling machinery)