

SKROBAL, M.; TOMAN, M.

Evaluating tests of dry fungicides on dead rye heads, infected by the Fusarium fungus; a contribution to the methods of testing fungicides. III. p. 587. (Biologia, Vol. 11, No. 10, 1956, Bratislava, Czechoslovakia)

SO: Monthly List of East European Accessions (EEAL) LC, Vol. 6, No. 8, Aug 1957, Uncl

SKROBAL, M.

"A comparative laboratory test of inherent fungicidal properties of RH X-type substances on Tilletia sp.; a contribution to the methods of testing fungicidal preparations. V."

p. 81 (Biologia, (Slovenska akademia vied) Bratislava, Vol. 12, no. 2, 1957
Czechoslovakia)

Monthly Index of East European Accessions (EEAI) LC. Vol. 7, No. 2,
February 1958

NO. : 11261
CATEGORY : Plant Diseases. Cultivated Plants. 0
ABS. JOUR. : RZhBiol., No. 3, 1959, No. 11261
AUTHOR : Toman, M., Skrobal, M.
INST. : -
TITLE : A Comparison of the Effectiveness of Two Methods of Testing Cereals (Materials on the Methods of Testing Fungicides. IV).
ORIG. PUB. : Biologia, 1957, 12, No. 12, 395-397
ABSTRACT : It has been proved by experiments that the testing of the fungicides on seeding material is more effective on the dead rye seeds infected with *Fusarium nivale* than on the living seeds infected by the same fungus.

CARD: 1/1

EXCERPTA MEDICA Sec 6 Vol 14/6 Internal Med. June 60

3802. CONTRIBUTION TO THE PROBLEM OF ERYTHRO-LEUKAEMIA .
Přispěvek k problému erytroleukemie - Neuman V. and Škrobál V.
Krajská Transf. Stanice a I, Vnit. Odd. Kůnz, Gottwaldova - VNITRNÍ LÉK.
1959, 5/5 (515-518) Graphs 2 Illus. 2

Three cases are described. The relations of this disease to other neoplastic dis-
eases of haematopoiesis are discussed in brief and the opinion put forward that this
does not represent a nosological unit, but one variety of haemoblastosis. (VI, 5, 16)

SKROBAL, Vaclav; LEDVINA, Miroslav

Familial presence of essential hypercholesterolemia. I. Clinical and
biochemical characteristics. Cas.lek.cesk 100 no.41:1297-1303 13 0 '61.

1. I interni oddeleni, prednosta doc. MUDr. V. Tolar, Ustredni laborator
okresni nemocnice v Gottwaldove, prednosta MUDr. M. Ledvina.

(CHOLESTEROL blood)

SKODA, Citrad; technicka spoluprace SKROBALOVA, M.; NESTLINGEROVA, E.

Open door treatment of psychoses. II. Escapes and departures by male patients. Cesk. psychiat. 58 no.4:225-237 Ag '62.

1. Krajska psychiatricka liecebna v Pezinku.
(HOSPITALS PSYCHIATRIC) (PSYCHOSES)

SKRCBANSKIY, G. G.

Agriculture

Technical and chemical control in fruit and vegetable processing enterprises. Moskva, Gostorgizdat, 1951.

9. Monthly List of Russian Accessions, Library of Congress, June 195~~7~~₂, Uncl.

SKROBANSKIY, Georgiy Georgiyevich; VYSHCHERAN, Aleksandr Georgiyevich;
MEL'MAN, Mikhail Yevdokimovich; NEMCHUNOVA, O., redaktor; VUYKK, M.,
tekhnicheskii redaktor

[Technical and chemical control in fruit and vegetable processing]
Tekhno-khimicheskii kontrol' plodovoshchnogo proizvodstva. Kiev,
Gos.izd-vo tekhn.lit-ry USSR, 1955. 299 p. (MLRA 9:3)
(Fruit) (Vegetables)

SKROBANSKIY, G. G.

USSR/Chemical Technology. Chemical Products and Their Application -- Food industry,
I-28

Abst Journal: Referat Zhur - Khimiya, No 2, 1957, 6636

Author: Skrobanskiy, G. G., Tylkin, V. B., Khrebtova, A. P.

Institution: Khar'kov Institute of Soviet Commerce

Title: Vitaminization of Some Dairy Products

Original

Publication: Nauch. zap. Khar'kovsk. in-t sov. trgovli, 1956, No 5(7), 139-143

Abstract: Work has been carried out on enrichment with vitamin C of sour cream and butter. Per 1 kg of finished product were added 0.2 g synthetic ascorbic acid (AA) or 6 g of vitamin C concentrate (VC) from hip bearing rose. To sour cream AA or VC were added in the form of a solution in buttermilk; to the butter AA was added prior to pressing of the butter. It was found that enrichment of sour cream with AA and VC increases its nutritive value without affecting the chemical indices of quality that are specified in the GOST and produces no effect on the taste. Following storage of sour cream for 7 days at

Card 1/2

SKROBANSKIY, Georgiy Georgiyevich, prof., dktor tekhn.nauk; KOZIN, N.I.,
prof., zasluzhennyy deyatel' nauki i tekhniki, retsenzent;
SMIRNOV, V.S., zasluzhennyy deyatel' nauki i tekhniki, retsenzent;
[deceased]; GRYUNER, V.S., prof., retsenzent; CHISTYAKOV, F.M.,
retsenzent; CHOGOVADZE, Sh.K., dotsent, retsenzent; INIKHOV, G.S.,
prof., retsenzent; RUKOSULEV, A.N., dotsent, spets.red.; KOL-
CHINSKAYA, N.A., red.; SUDAK, D.M., tekhn.red.

[Introduction to the study of foodstuffs] Vvedenie v tovarovedenie
prodovol'stvennykh tovarov. Moskva, Gos.izd-vo torg.lit-ry, 1959.
210 p. (MIRA 13:10)

1. Moskovskiy institut narodnogo khozyaystva im. G.V.Plekhanova
(for Kozin).

(Food)

ANTONOV, Mikhail Vasil'yevich; DZHAFAROV, Abdulla Fataliyevich;
VOLKOV, Yevgeniy Nikitich; SABUROV, N.V., prof., retsenzent;
SKROBANSKIY, G.G., prof., retsenzent; RUKOSUYEV, A.N., red.;
SINEL'NIKOVA, TS.B., red.; AYRIYEVA, N.S., red.; TERYUSHIN,
M.I., tekhn. red.

[Commercial guide to food products; vegetables and fruit]Tovaro-
vedenie prodovol'stvennykh tovarov; ovoshchi i plody. Pod red.
A.N.Rukosueva. Moskva, Gostorgizdat, 1962. 400 p.
(MIRA 16:1)

(Vegetables) (Fruit)

SKROBANSKIY, K.K.

[Manual for midwives] Uchebnik akusherstva. Izd.3. Leningrad,
Medgiz, 1946. 385 p. (MIRA 13:4)
(OBSTETRICS)

SKROBECKI, W.

Contracts for carrying out defined services and individually defined work made by the building construction enterprises with their own and outside employees as of March 1, 1957.

P. 30 (BUDOWNICTWO PRZEMYSLOWE) Poland, Vol. 6, No. 8, Aug. 1957

SO: Monthly Index of East European Accessions (AEEI) Vol. 6, No. 11, November 1957

CZECHOSLOVAKIA / Diseases of Cultivated Plants. 3

Abs Jour : Ref Zhur - Biol., No 9, 1958, No 39662

Authors : Toman, M.; ~~Skrobek, M.~~
Inst : Bratislava Institute of Agrochemical Technology.
Title : Experiments Conducted on Small Plots for the Treatment of Grain Seeds with Fungicide (Material for the Experimental Methods Involving Fungicide Preparations).

Orig Pub : Polnohospodarstvo, 1957, 4, No 3, 434-442.

Abstract : Ten g of winter wheat seeds were infected with chlamydospores of *Tilletia foetida* (Woll) Liro or *T. tritici* in a ratio of 5 : 1,000. Then, they were treated with a fungicide and sown on small plots (5 m²). The fungicide concentration was graduated in a geometrical progression with a coefficient of 0.5. It was found that the ethyl mercuric compounds are more effective than the phenyl mercuric compounds, with equivalent

Card 1/2

SKRUBIN, D.A

USSR/Cultivated Plants - Grains

M-4

Abs Jour : Ref Zhur - Biol., No 1, 1958, No 1486

Author : D.A. Skrubin

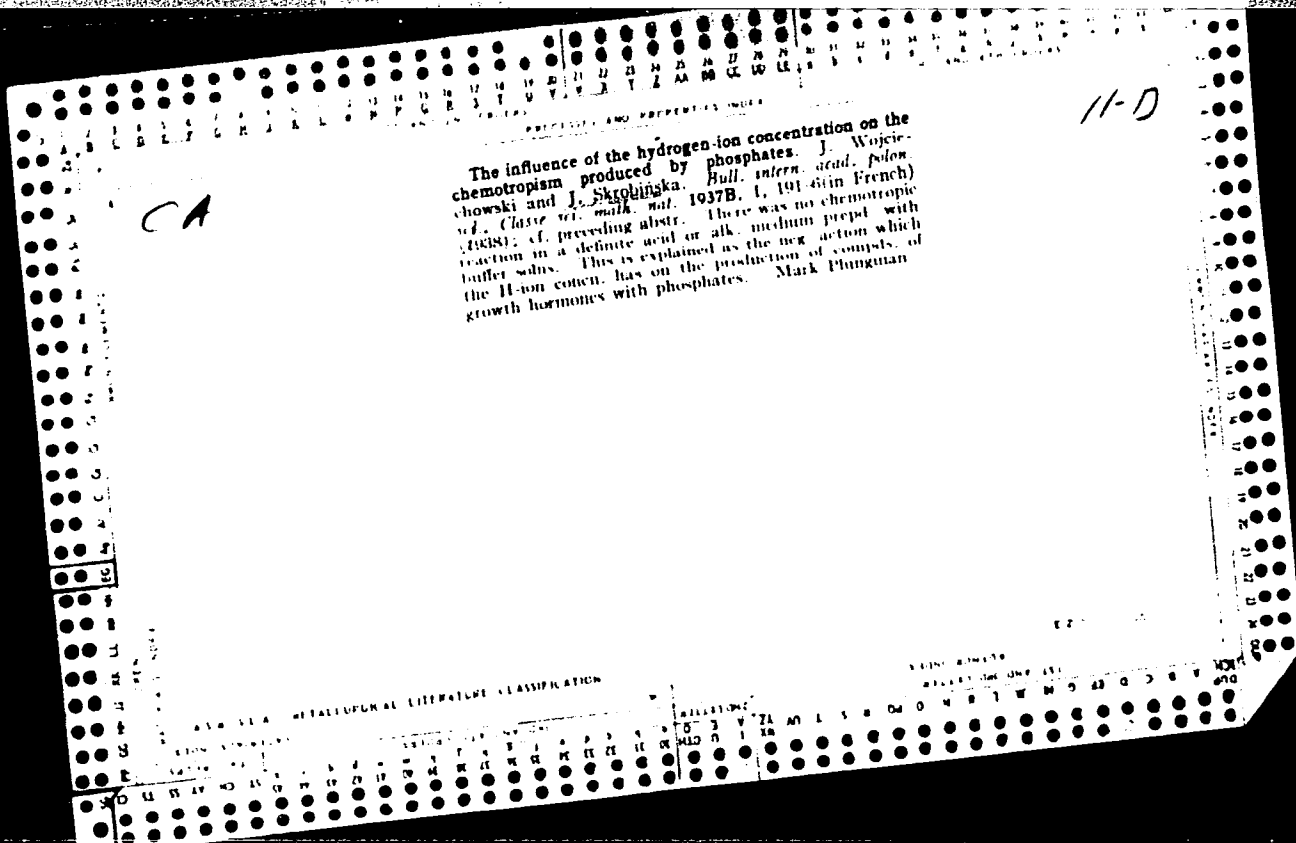
Inst : Not Given

Title : Extra-root Adfeeding of Summer Wheat

Orig Pub : Sb. stud. robot. Yaroslavsk. s. kh. in-t, 1956, issue 1,
9-10

Abstract : In 1953 in the "Bolshevik Path" Kolkhoz of Petrovskiy rayon, the effect of extra-root feeding on the yield of Diamant variety summer wheat was tested. The extra-root feeding was conducted after florescence and at the beginning of the ripening of the grains, by means of spraying the stalk with a 20% solution of a mixture of N 12kg, P 9kg and K_x 1 kg/h. The increase of the wheat grain yield amounted to 2.3 centners per hectares.

Card : 1/1



SKROBISZ, J.; ROGOWSKI, K.

"Preparatory works for the elaboration of economic plans in collective farms for 1954; based on the Grodkow District in Opole (Oppeln) Province and the Stargard District in Szczecin (Stettin) Province." (p. 10). NOWE ROLNICTWO (Panstwowe Wydawnictwo Rolnicze i Lesne) Warszawa, Vol 3, No 2, Feb. 1954.

SO: East European Accessions List, Vol 3, No 8, Aug 1954.

SKROBISZEWSKA, BARBARA

GOLDSCHMIED, Aleksander; SKROBISZEWSKA, Barbara; LUBIENIECKI, Stanislaw;
KANSKI, Marek

Further observations on the effect of sleep therapy on liver
function. Ann.Univ. Lublin; sec. D 7 no.11-21:263-277 1952.

1. Z I Kliniki Chorob Wewnętrznych Akademii Medycznej w Lublinie.
Kierownik: prof. dr med. Aleksander Goldschmied.

(LIVER, physiology,
eff. of sleep ther.)

(SLEEP, effects,
on liver funct.)

S-KROBISZEWSKA; B.

POL . . .

Effect of prolonged sleep therapy on liver function. A. Goldschmid, B. Skrobiszewska, S. Lubienicki, and M. Kanski (*Ann. N.Y. Acad. Sci.*, 1953, D. 7, 263-277).--Comparison of the results of clinical tests for liver function before and after sleep therapy, involving administration of barbiturates, bromides, and hypnosis for about 3 weeks, showed no impairment in 39 cases, no deterioration in 17 cases, improvement in 74 cases, and minor impairment or deterioration in 18 cases; the patients were under treatment for peptic ulcer, thyrotoxicosis, hypertensive disease, and

... since therapy may be applied without fear of damage
R. Tuscoe.

W. K. 1. 2. 3. 4. 5. 6. 7. 8. 9. 10. 11. 12. 13. 14. 15. 16. 17. 18. 19. 20. 21. 22. 23. 24. 25. 26. 27. 28. 29. 30. 31. 32. 33. 34. 35. 36. 37. 38. 39. 40. 41. 42. 43. 44. 45. 46. 47. 48. 49. 50. 51. 52. 53. 54. 55. 56. 57. 58. 59. 60. 61. 62. 63. 64. 65. 66. 67. 68. 69. 70. 71. 72. 73. 74. 75. 76. 77. 78. 79. 80. 81. 82. 83. 84. 85. 86. 87. 88. 89. 90. 91. 92. 93. 94. 95. 96. 97. 98. 99. 100.
GOLDSCHMIED, Aleksander; SKROBISZEWSKA, Barbara; KANSKI, Marek

Clinical investigations on the effect of hypnotics on liver function. Polskie arch.med.wewn. 25 no.3a:570-572 '55.

1. Oddzial leczenia snem I Kliniki Chorob Wewnetrznych AM w Lublinie Kierownik.prof. dr med. A Goldschmied.

(LIVER, physiology
funct.eff. of hypnotics)
(HYPNOTICS AND SEDATIVES, effects
on liver funct.)

SKROBISZEWSKA-BIERNACKA, Barbara

Case of so-called disappearing tumor of the lungs. Polski tygod.
lek. 14 no.7:328-329 16 Feb 59.

1. Z I Kliniki Chorob Wewnętrznych Akademii Medycznej w Lublinie;
Kierownik: prof. dr M. Kedra. Adres autora: lublin, ul. dr Biernackiego
5, I Klinika Chorob Wewnętrznych Akademii Medycznej.
(LUNG NEOPLASMS, case reports
spontaneous regression (Pol))

SKROBOT, P.V., elektroslesar'

Control circuit for regulating d.c. motors in scraper-type boiler
feeding systems. Energetik 9 no.7:22-23 J1 '61. (MIRA 14:9)
(Boilers) (Electric motors, Direct current)

S/138/62/000/006/005/008
A051/A126

AUTHORS: Korol', I.P., Skrobot, V.S.

TITLE: Extrusion qualities and consistency of rubber mixes

PERIODICAL: Kauchuk i rezina, no. 6, 1962, 21 - 23

TEXT: The relation is established between the extrusion qualities of a rubber mix, i.e., the quality of its surface after the rubber mix has left the extruder, and its consistency (plasticity). No connection between these two factors was noted. An extrusion mechanism is recommended, based on the interaction between the adhesive force of the mix to the metal, and the cohesion force of the mix. A laboratory extruder with a 50.8 mm diameter screw conveyer was used to extrude the rubber mix in the shape of a square cable of 16 x 16 mm cross-section. The laboratory type extruder "Shprintsometr" (Fig. 1), also used to test surface extrusion qualities, is recommended for general laboratory use. Poor extrusion qualities of the CKM(SKI) mixes containing channel carbon black, are explained by a poorer sliding motion of the latter along the walls of the instrument. It is shown that the extrusion qualities of the rubber mix surface depend on the rate of

Card 1/2

S/138/62/000/006/005/008
A051/A126

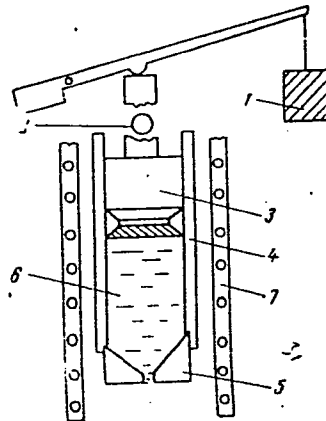
Extrusion qualities....

extrusion, and that any mix may show good surface extrusion qualities if the appropriate extrusion rate is chosen. There are 2 figures and 1 table.

ASSOCIATION: Vsesoyuznyy nauchno-issledovatel'skiy institut sinteticheskogo kauchuka im. S.V. Lebedeva (All-Union Scientific Research Institute of Synthetic Rubber im. S.V. Lebedev)

Fig. 1: Diagram of the extruder "Shpritsometr"

1- applied load, 2- indicator, registering the shift of the plunger, 3- plunger, 4- loading cylinder, 5- head of the extruder, 6- rubber mix, 7- thermostat, 8- outlet of the extruder head



Card 2/2

L 63472-65 EWT(j)/EWT(m)/EWP(w)/EPF(c)/EWA(d)/T/EWP(t)/EWP(b) IJP(c) JD
ACCESSION NR: AP5019793 UR/0076/65/039/007/1669/1673
541.124/128

AUTHOR: Shchegrov, L. N.; Mondin, L. Ya.; Gol'tseva, V. S.; Ryadchenko, A. G.;
Skrobotun, V. N. 24
22
6

TITLE: Reactivity of magnesium oxide with various pseudostructures

SOURCE: Zhurnal fizicheskoy khimii, v. 39, no. 7, 1965, 1669-1673

TOPIC TAGS: ¹¹ ¹¹ magnesium oxide, ferric oxide, chromium oxide, ferrite

ABSTRACT: Studies performed in the authors' laboratory showed that magnesium oxide can be obtained in various forms (spheroidal, cubic, prismatic, and lamellar) in addition to the amorphous modification. X-ray analysis showed that all these types of MgO have the NaCl structure, and therefore are pseudostructural modifications. The reactivity of MgO in these various forms was studied by taking as an example the solid phase reaction in the MgO-Cr₂O₃-Fe₂O₃ system. The mixture for the synthesis of the ferrite powder was prepared by mixing the ground oxides (21.9% Cr₂O₃, 25.7% MgO, 53.4% Fe₂O₃). It was found that the grinding of the spheroidal, cubic, and prismatic MgO causes a complete breakdown of the geometry of the particles, so

Card 1/2

L 63472-65

2

ACCESSION NR: AP5019793

that they are converted into an amorphous mass. The powders were presintered, pressed, and sintered. The dependence of the electromagnetic properties of the ferrites on the form of the initial MgO particles and on the reaction temperature was determined from the change in the saturation magnetization, width of the resonance absorption band, Curie temperature, and resistivity. No appreciable differences were found in the electromagnetic properties of ferrite samples prepared from the various MgO pseudostructures. These properties are considerably improved as the temperature rises; this is because they depend not only on the extent of the solid-phase reaction, but also to a large degree on the amount of the synthesized spinel, whose rate of formation increases rapidly with the firing temperature of the ferrite. Orig. art. has: 3 figures, 2 tables.

ASSOCIATION: Vsesoyuznyy nauchno-issledovatel'skiy institut khimicheskikh reaktivov i osobo chistykh khimicheskikh veshchestv, Donetskiiy filial (All-Union Scientific Research Institute of Chemical Reagents and High-Purity Chemicals, Donetsk Affiliate)

SUBMITTED: 22Apr64

ENCL: 00

SUB CODE: GC

NO REF SOV: 010

OTHER: 004

bal
Card 2/2

L 30232-66 EWT(m)/EWP(t)/ETI IJP(c) JD
ACC NR: AP6013886 (A) SOURCE CODE: UR/0073/65/031/011/0223/0227

AUTHOR: Shchegrov, L. N.; Kozachuk, A. S.; Skrobotun, V. M.; Ryadchenko, A. G.;
Gol'tseva, V. S.

ORG: All-Union Donets Branch, Scientific-Research Institute of Chemical Reagents and High-Purity Chemical Substances (Donetskiy Filial Vsesoyuznogo nauchno-issledovatel'skogo instituta khimicheskikh reaktivov i osobo chistyykh khimicheskikh veshchestv)

TITLE: Preparation of magnesium oxide of varying pseudostructure

SOURCE: Ukrainskiy khimicheskii zhurnal, v. 31, no. 11, 1965, 1223-1227

TOPIC TAGS: magnesium oxide, magnesium compound, carbonate, chemical decomposition, x ray diffraction

ABSTRACT: The purpose of the study was to develop methods for preparing multiform crystals of thermally unstable magnesium compounds having such thermomechanical strength that they preserve their form on decomposing to magnesium oxide, in order to influence the form of the MgO particles obtained. Prismatic magnesium carbonate crystals which retained their form during decomposition to MgO (in a muffle furnace at 740-760°C) were obtained by combining magnesium nitrate and sodium carbonate solutions. The size of MgCO₃ crystals formed depends on the stirring rate of the reaction mixture. MgO of spheroidal form was obtained by thermal decomposition of spheroidal MgCO₃ formed by combining magnesium nitrate or sulfate solutions with potassium carbon-

UDC: 546.46

Card 1/2

IVANOV, Grigoriy Aleksandrovich; SKROBOV, S.A., zam.glavnogo red.;
SHABAROV, N.V., zam.glavnogo red.; IVANOVA, A.G., tekhn.red.

[Genetic classification of coal-bearing formations] Gene-
ticheskaiia klassifikatsiia uglenosnykh formatsii. Moskva,
M-vo geol. i okhrany neдр SSSR, 1959. 30 p. (MIRA 12:8)
(Coal geology)

BURTSEV, D.N.; MOLCHANOV, I.I.; SKROBOV, S.A.; TYZHNOV, A.V.

"Coal" by P.V.Vasil'ev. Reviewed by D.N.Burtsev and others.
Sov.geol. 5 no.3:157-160 Mr '62. (MIRA 15:4)
(Coal) (Vasil'ev, P.V.)

SKROBOV, S.A., glav. red.; POPOV, G.G., otv. red. toma; BURYAK, G.V.,
zam. red. toma; SEMEYKIN, A.I., red. toma; TRIBUNSKIY, I.P.,
red. toma; PANOVA, A.I., red. izd-va; IVANOVA, A.G., tekhn. red.

[Geology of coal and combustible shale deposits in the U.S.S.R.]
Geologiya mestorozhdenii uglia i goriuchikh slantsev SSSR. Moskva,
Gosgeoltekhizdat. Vol.10.[Coal basins and deposits in Kamchatka
and the northeastern part of the U.S.S.R.]Ugol'nye basseiny i me-
storozhdenia Severo-Vostoka SSSR i Kamchatki. Redkol.: G.G.Popov
i dr. 1962. 403 p. (MIRA 15:12)

1. Russia (1923- U.S.S.R.)Ministerstvo geologii i okhrany neдр.
(Soviet Far East—Coal geology)

AMMOV, I.I., red.; BURTSEV, D.N., red.; GORYUNOV, S.V., red.;
GUSEV, A.I., red.; KOROTKOV, G.V., red.; KOTLUKOV, V.A.,
red.; KUZNETSOV, I.A., red.; MIRONOV, K.V., red.;
MOLCHANOV, I.I., red.; NEKIPELOV, V.Ye., red.; PONOMAREV,
T.N., red.; POPOV, V.P., red.; PROKHOROV, S.P., red;
SKROBOV, S.A., red.; TYZHNOV, A.V., red.; SHABAROV, N.V.,
red.; YAVORSKIY, V.I., red.; BOBRYSHV, A.T., red. toma;
VINOGRADOV, B.G., red. toma; VOLKOV, K.Yu., zam. red. toma;
LUGOVOY, G.I., zam. red. toma; OGARKOV, V.S., red. toma;
SIMONOV, A.V., red. toma; IZRAILEVA, G.A., red.izd-va;
IVANOVA, A.G., tekhn. red.

[Geology of coal and combustible shale deposits in the
U.S.S.R.]Geologiya mestorozhdenii uglia i goriuchikh slan-
tsev SSSR. Glav.red.I.I.Ammosov i dr. Moskva, Gosgeoltekh-
izdat. Vol.2. [Moscow Basin and other coal deposits in
central and eastern provinces of the European part of the
U.S.S.R.]Podmoskovnyi bassein i drugie mestorozhdenia uglia
tsentral'nykh i vostochnykh oblastei Evropeiskoi chasti
RSFSR. 1962. 569 p. maps. (MIRA 15:9)

1. Russia (1923- U.S.S.R.)Ministerstvo geologii i okhrany
nedr.

(Coal geology)

SKROBOV, S.A., red.; YEZDROVA, V.I., red.; MAKEYEV, V.I., red. izd-
va; GUROVA, O.A., tekhn. red.

[Papers on the methodology of prospecting for minerals]Ma-
teriuly po metodike razvedki poleznykh iskopaemykh; trudy so-
veshchaniia. Moskva, Gosgeoltekhizdat, 1962. 610 p.

(MIRA 15:11)

1. Vsesoyuznoye soveshchaniye po metodike razvedki poleznykh
iskopayemykh, Moscow, 1960.

(Prospecting--Congresses)

SKROBOV, S.A., red.; YEZDROVA, V.I., red.; MAKEYEV, V.I., red.izd-va;
GUROVA, O.A., tekhn. red.

[Materials of the All-Union Conference on the Methods of
Prospecting for Mineral Deposits]Materialy Vsesoiuznogo sove-
shchaniia po metodike razvedki poleznykh iskopaemykh, Moscow,
1960. Moskva, Gosgeoltekhizdat, 1962. 610 p. (MIRA 16:3)

1. Vsesoyuznoye nauchno-tekhnicheskoye soveshchaniye po metodike razvedki mestorozhdeniy poleznykh iskopayemykh, Moscow, 1960.
2. Predsedatel' Organizatorskogo komiteta po podgotovke i provedeniyu soveshchaniya po metodike razvedki poleznykh iskopayemykh 1960 goda (for Skrobov).

(Prospecting)

YEMEL'YANOV, V.P.; SKROBOV, V.; KONDYBKO, P.; ILYUKOVICH, B.M.; MERKUR'YEV,
S.Ye.; SARAPULOV, Yu.V.

In the country's rolling mills. Metallurg 9 no.12:34-35 D '64.
(MIRA 18:2)

1. Magnitogorskiy metallurgicheskiy kombinat (for Yemel'yanov).
2. Zavod "Krasnaya Etna" (for Skrobov, Kondybko).
3. Chusovskoy metallurgicheskiy zavod (for Ilyukovich, Merkur'yev).
4. Cherepovetskiy metallurgicheskiy zavod (for Sarapulov).

AUTHOR: Skrobov, V.D. SOV-26-58-11-26/49

TITLE: The Expansion of the Animals of the Forest Zone to the Tundra
(Prodvizheniye zhiivotnykh lesnoy zony v Tundru)

PERIODICAL: Priroda, 1958, Nr 11, pp 104 - 105 (USSR)

ABSTRACT: Data obtained from various observers on the expansion of such animals as the elk, deer, wolf, fox, marten from forest regions into the tundras of the Nenets National District, which often includes crossing of large and rapid rivers and covering of 25-km-wide water expanses to places up to 230 km distant from the nearest forest area, is explained by the temperature increase in the north and (in the case of elk and fox) a large numerical increase. There are 3 Soviet references.

ASSOCIATION: Nenetskaya sel'skokhozyaystvennaya shkola /Nar'yan-Mar (The Nentsy Agricultural School /Nar'yan-Mar)

1. Animals--USSR

Card 1/1

SKROBOV, V.D.

Interrelationships of the common and Arctic fox in tundras of the
Nenets National Area. Zool.zhur. 39 no.3:469-471 '60.
(MIRA 13:6)

1. Nenets Zooveterinary Technical School, Narian-Mar.
(Nenets National Area--Foxes)

SKROBOV, V.D.

Some data on the biology and ecology of the Arctic fox with
reference to the nature of distribution of its dens in the
Bol'shezemel'skaya and Malozemel'skaya Tundra. Biul.MOIP.
Otd.biol 65 no.3:28-35 My-Je '60. (MIRA 13:7)
(BOL'SHEZEMEL'SKAYA TUNDRA--ARCTIC FOX)
(MALOZEMEL'SKAYA TUNDRA--ARCTIC FOX)
(ANIMALS, HABITATIONS OF)

SKROBOV, V.D.

The Arctic fox and man's economic activities. Priroda 50 no.1:104-
105 Ja '61. (MIRA 14:1)

1. Mezhoblastnaya kompleksnaya zemleustroitel'naya ekspeditsiya
Ministerstva sel'skogo khozyaystva RSFSR, g. Salekhard, Tyumenskoy
oblasti.

(Arctic fox)

SKROBOV, V.D., kand.biolog.nauk (Salekhard)

Spring in the north of Tyumen' Province. Priroda 51 no.6:
127 Je '62.

(MIRA 15:6)

(Tyumen' Province--Spring)

SKROBOV, V.D., kand. biolog. nauk (Salekhard)

Migratory birds in a bleak spring. Priroda 53 no.5:127 '64.
(MIRA 17:5)

KLEBANOV, O.B.; SKROBOVA, A.V.; STEPANOV, B.A.

Using residues of electrolytic zinc plants for copper deposition
in the concentration of oxidized copper ores on a combined flow-
sheet. TSvet. met. 35 no.11:36-37 N '62. (MIRA 15:11)
(Copper--Electrometallurgy)

SKROBOVA, N.V., uchitel'nitsa.

Regional studies in biology. Biol. v shkole no.6:54-56 N-D '57.
(MIRA 10:12)

1. Semiletnaya shkola g. Nar'yan-Mara Arkhangel'skoy oblasti.
(Nenets Nationa Area--Nature study)

SKROBOT

MUKHINA, T.G.; SKROBOT, S.A.; KHMEL'NITSKAYA, P.A.; SHPAYER, A.L., redaktor;
PANOVA, L.Ya., tekhnicheskiy redaktor

[How production costs were cut; Lyubertsey silicate brick factory]
Kak snizhalas' sebestoimost' produktsii; Liuberetskii zavod sili-
katnogo kirpicha. Moskva, Gos. izd-vo lit-ry po stroit. materialam,
1956. 34 p. (MIRA 10:4)

(Lyubertsey--Brickmaking)

SKROCHOWSKA, Maria; TUROWSKI, Gabriel

Endotoxin as an adjuvant. II. Effect on the production of agglutinins against leptospiral antigens. Med. dosw. mikrobiol. 16 no.2:131-134 '64.

1. Z Wytworni Surowic i Szczepionek w Krakowie (Dyrektor: dr. Z. Moszczanski).

MARKOWA, Janina; MAREK, Alfred; SKROCHOWSKA, Maria; KLIMEK, Stanislaw

Studies on the presence of the Western equine encephalitis virus in the blood in experimental viral diseases of the bone. Chir. narzad. ruchu ortop. Pol. 29 no.2:265-268 '64.

1. Z II Kliniki Chirurgicznej Akademii Medycznej w Krakowie (Kierownik: prof. dr. J. Oszacki), z III Kliniki Chirurgicznej Akademii Medycznej w Krakowie (Kierownik: prof. dr. J. Jasienki) i z Wytworni Surowic i Szczepionek w Krakowie (Dyrektor: dr. Z. Moszczanski).

MALINOVSKIY, M.S.; YUDASINA, A.G.; SKROBSKAYA, T.S.; SOLOMOYCHENKO, T.N.

Preparation and properties of asymmetrical oxides of methyl-
tert-hexylethylene, methyl-tert-heptylethylene, and methyl-
tert-octylethylene. Ukr. khim. zhur. 30 no.1:72-74 '64.
(MIRA 17:6)

1. Dnepropetrovskiy gosudarstvennyy universitet.

SAFONOV, A.F.; SKRIBSKIY, V.Ye.; ZADOROZHNYI, V.G.; DEGTYARENKO, A.V.

Experimental industrial use of electromagnetic shaft separators
for the dry separation of titanium-zirconium products. TSvet. met.
37 no.9:92-93 S '64. (MIRA 18:7)

SKLYAREVSKIY, L. Ya.; SKRODUMOVA, I. V.; KONOVALOV, M. N.

"Clinico-morphological demonstration of toxic effects produced by Sekurinin."

report submitted for 3rd Hungarian Conf, Therapy & Pharmacology, Budapest,
9-12 Oct 64.

VILAR Medico-biological Dept, Riga.

SKRODZKI, E.

Observations on the role of rats as the epidemiological factor
in infectious jaundice. Med. dosw. mikrob., Warsz. 4 no. 2:291-
296 1952. (CIML 22:4)

1. Of the National Institute of Hygiene Branch in Gdansk.

SKRODZKI, E.

Studies on an organism isolated from wild rat. Med. dosw. mikrob.,
Warsz. 4 no. 3:390 1952. (CJML 23:3)

1. Summary of work progress presented at 11th Congress of Polish
Microbiologists held in Krakow May 1951. 2. Gdansk.

SKRODZKI, E.

Studies on fleas in rats. Bull. Inst. Marine Trop. M. Gdansk
4 no. 4:427-434 1952. (CIML 24:1)

1. Of the State Institute of Marine and Tropical Medicine in Gdansk
and of the Gdansk Branch of the State Institute of Hygiene.

SKRODSKI, EUGENIUSZ

SKRODSKI, Eugeniusz; SOKOŁOWSKA, Bożenna

Isolation of strain *Listerella monocytogenes* from hare;
preliminary communication. Bull. State Inst. Marine Trop. M.
Gdansk Vol.5:88-90 1953.

1. Z Państwowego Instytutu Medycyny Morskiej i Tropikalnej w
Gdańsku i Państwowego Instytutu Weterynarii w Puławach.

(*LISTERIA*,

**monocytogenes*, isolation from hare)

(*RODENTS*,

*hare, isolation of *Listeria monocytogenes*)

SKRODSKI, EUGENIUSZ

SKRODSKI, Eugeniusz; SOKOLOWSKA, Bosonna

Cases of tularemia in dogs. Bull. State Inst. Marine Trop. M.
Gdansk Vol.5:91-94 1953.

1. Z Panstwowego Instytutu Medycyny Morskiej i Tropikalnej w
Gdansku i Panstwowego Instytutu Weterynarii w Pulawach.

(TULAREMIA,
*in dogs)

(DOGS, diseases,
*tularemia)

SKRODZKI, Eugeniusz; LACHMAJER, Jadwiga

Tularemia in the Szczecin Voievodship. I. Natural foci and their epidemiological significance. Przegl. epidem., Warsz. 8 no.3: 149-158 1954.

1. Panstwowy Instytut Medycyny Morskiej in Tropikalnej, Panstw. Zaklad Higieny, Instytut Medycyny Pracy Wsi.
(TULAREMIA, epidemiology
Poland,)

SKRODZKI, Eugeniusz; TOMASZUNAS, Stanislaw; WOJCIK, Krystyna; HRYNIEWICZ,
Henryk

Tularemia in the Szczecin Voievodship. IV. Investigation on
tularemia in the field rodents. Przegl. epidem., Warsz. 8 no.3:
173-178 1954.

1. Panstw. Inst. Medycyny Morskiej i Tropikalnej, Ponstw. Zakl.
Higieny, Instytut Medycyny Pracy Wsi
(TULAREMIA, epidemiology
in Poland; tularemia in rodents)
(RODENTS, diseases
tularemia, epidemiol. in Poland)

SKRODZKI, Eugeniusz; TOMASZUNAS, Stanislaw

The course of experimental tularemia in field rodents. Przegł.
epidem., Warsz. 8 no.3:189-192 1954.

1. Panst. Instytut Medycyny Morskiej i Tropikalnej w Gdansk.
(TULAREMIA, experimental
in rodents)

SKRODZKI, Eugeniusz

Epidemics and epizootics of tularemia and their causes. Przegł.
epidem., Warsz. 8 no.3:193-202 1954.

1. Panstwowy Instytut Medycyny Morskiej i Tropikalnej w Gdansk
(TULAREMIA, epidemiology
in man & animal, etiol.)

SKRODZKI, E.

Epidemics and epizootic outbreaks of tularemia and their causes.
Bull. Inst. Marine Trop. M.Gdańsk 6:23-35 1955.

1. Z Państwowego Instytutu Medycyny Morskiej i Tropikalnej w
Gdańsku.

(TULAREMIA, epidemiology)

SKRODZKI, E.; TOMASZUNAS, S.; WOJCIK, K.; HRYNIEWICZ, H.

Mass bacteriological investigations of rodents in areas of outbreaks of tularemia. Bull. Inst. Marine Trop. M.Gdańsk 6:37-44 1955.

1. Z Państwowego Instytutu Medycyny Morskiej i Tropikalnej w Gdansk i Instytutu Medycyny Pracy Wsi w Lublinie.

(TULAREMIA, transmission,
rodents, mass bacteriol. exam. of rodents in endemic areas)

(RODENTS,
bacteriol. exam. in endemic areas of tularemia)

SKRODZKI, E.; TOMASZUNAS, S.

Course of tularemia in experimental conditions in certain types
of field rodents. Bull. Inst. Marine Trop. M.Gdańsk 6:45-53 1955.

1. Z Państwowego Instytutu Medycyny Morskiej i Tropikalnej w Gdansk.
(RODENTS, diseases,
tularemia, exper. infect. in various types of wild rodents)
(TULAREMIA, experimental,
in wild rodents)

SKRODZKI, E.; WOJCIK, K.

~~_____~~
Tularemia in hares. Bull. Inst. Marine Trop. M.Gdańsk 6:55-60 1955.

1. Z Państwowego Instytutu Medycyny Morskiej i Tropikalnej w
Gdańsku.

(TULAREMIA, experimental,
in hares)

(RABBITS,
hares, exper. tularemia in)

SKRODZI, E.; LACHMAJER, J.

Natural foci of tularemia and their epidemiological significance
in the Szczecin region. Bull. Inst. Marine Trop. M. Gdańsk 6:61-72 1955.

1. Z Państwowego Instytutu Medycyny Morskiej i Tropikalnej w Gdańsku.
(TULAREMIA, epidemiology,
in Poland, natural foci)

SKRODZKI, E.; LAZUGA, K.; SOKOLOWSKA, B.; TWOREK, R.

Investigations on tularemia in cattle. Bull. Inst. Marine
Trop. M.Gdańsk 6:77-85 1955.

1. Z Państwowego Instytutu Medycyny Morskiej i Tropikalnej w
Gdańsku Instytutu Medycyny Pracy Wsi w Lublinie, Państwowego
Instytutu Weterynaryjnego w Puławach, Państwowego Zakładu
Higieny w Warszawie.

(CATTLE, diseases,
tularemia)

(TULAREMIA,
in cattle)

SKRODZKI, Eugeniusz; TOMASZUMAS, Stanislaw

Investigations on living vaccine against tularemia. I.
Mildly pathogenic of Bacterium tularense and their immunologic
properties. Przegl. epidem., Warsz. 9 no.3:199-210 1955.

1. Z Instytutu Medycyny Morskiej w Gdansk.
(TULAREMIA, prevention and control,
vacc., living vaccine)
(VACCINES AND VACCINATION,
tularemia, living vaccine)

SKRODZKI, Eugeniusz; TOMASZUNAS, Stanislaw

Immunizing properties of strains of *Pasteurella tularensis* with low virulence. Bull. Inst. Marine Trop. M. Gdansk 7:p.86-95; Russian transl. p. 95-101; English transl. p. 101-108 1956.

1. Z Panst. Inst. Med. Mors. Tropiki w Gdansku.

(TULAREMIA, immunology,

vaccine, living strains with low virulence (Pol; Rus; English))

(VACCINES AND VACCINATION,

tularemia vaccine, living strains with low virulence
(Pol; Rus; English))

SKRODZKI, Eugeniusz

Characteristics of strains of *B. tularensis* cultivated in Poland during 1952-53. *Med. dosw. mikrob.* 8 no.1:65-72 1956.

1. Z Instytutu Medycyny Morskiej w Gdansk.

(*PASTEURELLA TULARENSIS*,

classif. of strains isolated in Poland. (Pol))

SKRODZKI, Eugeniusz; TOMASZUNAS, Stanislaw; KUBANEK, Zofia

Laboratory diagnosis of tularemia. Przegl. epidem., Warsz.
10 no.4:347-355 1956.

1. Z Instytutu Medycyny Morskiej w Gdansk.
(TULAREMIA, diag.
(Pol))

SKRODZKI, Ye.

Characteristic of strains of tularemia bacteria isolated in Poland
in 1952-1953. Zhur.mikrobiol. epid. i immun. 27 no.9:122 S '56.
(POLAND--PASTEURELLA TULARENSIS) (MIRA 9:10)

SKRODZKI, Eugeniusz

Culture characteristics of *Bacterium tularense* isolated in 1952-1953
in Poland. Bull. Inst. Marine M. Gdansk 8 no.1-2:51-56 1957.

1. Z Instytutu Medycyny Morskiej w Gdansku.
(*PASTEURELLA TULARENSIS*, culture
characteristics of strains isolated in Poland (Rus))

SKRODZKI, Eugeniusz

Investigation on the pathogenesis of tularemia. Report 2. On the phagocytic role of leukocytes in B tularensis infection. Bull. Inst. Marine M. Gdansk 11 no.1/2:35-46 '60.

1. From the Institute of Marine Medicine in Gdansk
(TULAREMIA immunol)
(PHAGOCYTOSIS)

SKRODZKI, Eugeniusz

Studies of the pathogenesis of tularemia. III. Survival of *B. Tularensis* in normal and immunized rabbits. Arch.immun.ter.dzw. 9 no.3:509-517 '61.

1. Institute of Marine Medicine, Laboratory for Special Research, Gdansk.

(TULAREMIA immunol)

SKRÓDZI, Eugeniusz

Studies on the pathogenesis of tularemia. III. Survival of *B. tularensis* in the organism of normal and immunized rabbits. Bull. Inst. Marine M Gdansk 12 no. 1/2:45-50 '61.

1. Z Instytutu Medycyny Morskiej w Gdansku.
(TULAREMIA immunol)

SKRODZKI, Eugeniusz

Investigations on the pathogenesis of tularemia. ~~Report~~ IV.
Homologous interference of B. tularensis. Bull. inst. mar.
med. Gdansk 13 no.1/2:31-37 '62.

1. From the Institute of Marine Medicine in Gdansk.
(TULAREMIA exper)

SKRODZKI, Eugeniusz; DOMINOWSKA, Czeslawa

Investigations on the pathogenesis of tularemia. Report V.
The influence of cortisone on the course of B. tularensis infection
in experimental animals. Bull. inst. mar. med. Gdansk 13 no.1/2:
39-46 '62.

1. From the Institute of Marine Medicine in Gdansk.
(TULAREMIA exper) (CORTISONE pharmacol)

SKRODZKI, Eugeniusz

Isolation of *P. tularensis* on media, from materials originating from patients affected with tularemia. Bull. inst. mar. med. Gdansk 13 no.4:201-203 '62.

1. From the Institute of Marine Medicine in Gdansk.
(PASTEURELLA TULARENSIS) (TULAREMIA)

SKRODZKI, Eugeniusz; DOMINOWSKA, Czeslawa; GOLBA, Jan; WALUSZKIEWICZ, Henryka

Further investigations on tularemia in the Szczecin province. Bull.
inst. mar. med. Gdansk 13 no.4:205-218 '62.

1. Z Instytutu Medycyny Morskiej w Gdansku i W.S.S.E. w Szczecinie.
(TULAREMIA)

SKRODZKI, Eugeniusz; DOMINOWSKA, Czeslawa

Respiration of *Pasteurella rularensis* in the presence of some
sugars and alcohols. Bull. inst.mar.med. Gdansk 14 no.1:
39-49 '63

1. Z Instytutu Medycyny Morskiej w Gdansku.

*

SKRODZKI, Eugeniusz; DOMINOWSKA, Czeslawa

Investigations on respiration of *P. tularensis* strains of
different virulence, in the presence of some aminoacids.
Bull. inst.mar.med. Gdansk 14 no.3:273-278 '63

1. From the Institute of Marine Medicine in Gdansk.

*

SKRODZKI, Eugeniusz

Investigations on the pathogenesis of tularemia VI. Significance of the RES system in tularemia. Bull. inst. mar. med. Gdansk. 16 no.1:33-40 '65.

1. From the Institute of Marine Medicine in Gdansk.

g. K. ...

CV Comparison between Tischer's colorimetric and Lorenz's gravi-
metric method for determination of phosphorus. S. Reysner, I.
Ruziewicz, and M. Skrodzki (*Roczn. Miner. 1954, 70, A, 142-145*).
P. S. Arup.

J...
②

SKRODZKI, M.

SKRODZKI, M. Burning of mire and coal powder in steam boiler 41820. p. 19.

Vol. 7, no. 7, July 1955
GOSPODARKA RYENNA
AGRICULTURE
Poland

So: East European Accession, Vol. 6, No. 5, May 1957

SKRODZKI, M.

SKRODZKI, M. An apparatus for repairing the seat of the head of the ammonia compressor. p. 17. Vol. 7, no. 9, Sept. 1955. GOSPODARNA BYDWA. Warszawa, Poland.

SOURCE: East European Accessions List (EEAL) Vol. 6, No. 4--April 1957

SKRODZKI, M.

Guanine as a by-product of fish. p. 18.
Herring fishing with circular dragnets. p. 20.
Experiments on the freezing of fish on fishing boats. p. 20.
Trawler-factories. p. 21.
Air-cooler cutter engine. p. 21.
Fisheries in Hollond. p. 21.
Reorganization of the Central Administration of the Fish Industry
and of the Central Administration of Deep Sea Fisheries. p. 22.
A modern fish storehouse in Opole. p. 23.
Market supply of salted herring in the 4th quarter of the current
year. p. 23.
Fish storehouse in Torun. p. 24.
The struggle for reduction of prime costs. p. 24.
S. Malinski's Poradnik pracownika przetworstwa wstepnego
(Handbook for Workers in the Fish Products Industry); a review. p. 26.

GOSPODARKA RYBNA, Vol. 7, no. 12, Dec. 1955.

POLAND

SOURCE: EAST EUROPEAN ACCESSIONS LIST LC Vol. 5, no. 7, 1956, August.

GRABOWSKA, Maria Janina; SKROK, Teresa

Dibotin in the treatment of diabetes associated with obesity.
Wiad. lek. 18 no. 23:1777-1781 1 D : 65.

1. Z Cukrzycowego Ośrodka Naukowo-Badawczego w Uzdrawisku
Kolobrzeg (Kierownik: doc. dr. med. A. Czyżyk).

SKROMANIS, A.; SPRIVULIS, Z., red.; AKE, I., tekhn. red.

[DPR-2 milking unit]Slauksanas agregats DPR-2. Riga, Latvijas
Valsts izdevnieciba, 1961. 88 p. (MIRA 15:12)
(Latvia--Milking machines)

SKROMNOV, V.I. (g. Murom)

High-strength leveling instruments for railroad bridges.
Put' i put. khoz. 7 no.6:31 '63. (MIRA 16:7)

(Railroads--Equipment and supplies)

BUDNIKOV, P.P.; BEREZHNOY, A.S.; BOTVINKIN, O.K.; DAVYDOV, S.S.;
GEVORKYAN, Kh.O.; GORYAYNOV, K.E.; KUPRIANOV, V.P.;
KITAYGORODSKIY, I.I.; KYKOLEV, V.G.; LAPIN, V.V.; LITVAKOVSKIY,
A.A.; MOSKVIN, V.M.; MIRONOV, S.A.; MCHEDLOV-PETROSYAN, O.P.;
PEVZNER, R.L.; SKROMTAYEV, B.G.; YUNG, V.N.; YUSHKEVICH, M.O.

academician D.S.Beliankin; obituary. Zhur.prikl.khim. 27 no.1:
3-4 Ja '54. (MIRA 7:3)
(Beliankin, Dmitrii Stepanovich, 1876-1953)

BARANNIKOV, M.G.; GVOZDEV, A.A.; GUSHCHIN, V.M.; DAVYDOV, S.S.; DUDOROV,
N.P.; KOLENKOV, V.A.; LOVEYKO, I.I.; SVETLICHNYY, V.I.; SKROMTAYEV,
B.G.; KUCHERENKO, V.A., redaktor; BARSKOV, I.M., redaktor;
RUBANENKO, B.P., redaktor; GORSHKOV, A.P., redaktor izdatel'stva;
STRELETSKIY, I.A., tekhnicheskiy redaktor

[Construction practices abroad; in countries of Western Europe. Based
on material gathered by a delegation of Soviet building specialists]
Opyt stroitel'stva za rubezhom; v stranakh Zapadnoi Evropy. Po
materialam otchetov delegatsii sovetskikh spetsialistov-stroitelei.
Moskva, Gos. Iz-vo lit-ry po stroit. i arkhitekturo, 1956. 365 p.
(Europe, Western--Building) (MIRA 10:1)

SKLIOPYSHEV, A. V.

"Experimental Investigations of Certain Engineering Properties of Optical Iceland Spar"
Zap Leningr. Corn. in-ta, 1953, 29, No 2, 185-196

In the crystals and cleavage planes (cuttings) of natural calcite the variations caused by gradual and sharp fluctuations in temperature, by the action of sunlight and ultraviolet light, by the influence of explosive waves and shock are graphically visualized and evaluated. (RZhGeol, No 3, 1954)

SO: W-31187, 8 Mar 55

SKROPYSHOV, A. V.

USSR/Geophysics - Evenkite

1 Feb 53

"Paraffin From a Polymetallic Seam," A. V. Skropyshev

DAN SSSR, Vol 88, No 4, pp 717-719

Describes discovery of a small ore body of polymetallic compn which occurs in the amygdaloid zone of lava crust which is found along the banks of the Lower Tunguska river. It can be referred to the class of paraffins, to the group of hatchettites. Calls it Evenkite because it was found in the Evenkiy National Okrug. Presented by Acad D. V. Nalivkin.

249T61

SKROPYSHEV, A.V., dotsent.

Solid inclusions in Iceland spar. Zap.Len.gor.inst. 30 no.2:164-177
'55. (Calcite) (MIRA 9:7)

Handwritten: 1955
SKROPYSHEV, A.V.; MOKIYEVSKIY, V.A.

Disturbances in Iceland spar crystals. Zap.Vses.min.ob-va 84
no.2:182-190 '55. (MIRA 8:10)
(Calcite)

SKROPYSHEV, A.V.

Gas and fluid inclusions in Iceland spar crystals. Min.sbor.
no.11:303-321 '57. (MIRA 13:2)

1. Gornyy institut, Leningrad.
(Iceland spar crystals)

AUTHOR: Skropyshev, A.V.

SOV-132-58-9-10/18

TITLE: The Evaluation of Deposits of Iceland Spar Based on the Study of Defects of Calcite Crystals (Otsenka mestorozhdeniy islandskogo shpata na osnovanii izucheniya defektov kristallov kal'tsita)

PERIODICAL: Razvedka i okhrana neдр, 1958, Nr 9, pp 41-44 (USSR)

ABSTRACT: The author describes how the study of Iceland spar crystals taken from a given deposit can give precise indications as to the commercial value of the whole deposit of this mineral which is used for the production of optical lenses. There are 3 diagrams and 1 drawing.

1. Calcite--Effectiveness
2. Calcite crystals--Analysis

Card 1/1

SKROPYSHEV, A.V.

Nature of the color of Iceland spar in deposits of the Siberian
Platform. Trudy VNIIP [MS] 3 no.2:61-72 '60. (MIRA 14:4)
(Siberian Platform—Iceland spar)

SKROPYSHEV, A.V.

Genesis of Iceland spar deposits in the Siberian Platform.
Mat. VSEGEI. Ob. ser. n. 29:101-127 '60. (MIRA 14:7)
(Siberian Platform—Iceland spar)

SKROPYSHEV, A.V.

Recrystallization of calcite and the distribution of mechanical admixtures in crystals. Zap.Vses.min.ob-va no. 5:521-534 '61.
(MIRA 14:10)

(Ugam Valley--Crystallography)

SKROPYSHEV, A.V.

Bitumens in deposits of Iceland spar in the Siberian Platform.
Trudy VSEGEI 57:159-166 '61. (MIRA 15:4)
(Siberian Platform--Bitumen)

SKROPYSHEV, A.V.; NASTASIYENKO, Ye.V.

Basic characteristics in the distribution of Iceland spar deposits
connected with the lava sheet of the Siberian Platform. Trudy
VSEGEI 108:177-183 '64. (MIRA 18:2)

81653

S/181/60/002/06/43/050
B006/B056

39.2120

AUTHORS: Zyryanov, P. S., Skrotskaya, Ye. G.

TITLE: The Interaction of Acoustic Oscillations in Ion- and Electron-ion Plasmas

PERIODICAL: Fizika tverdogo tela, 1960, Vol. 2, No. 6, pp. 1316 - 1320

TEXT: It was the aim of the present paper to investigate the part played by the nonlinear effects in ion- and electron-ion plasmas in the case of acoustic oscillations. The authors calculate the mean free path of Debye phonons, and they estimate the phononic thermal conductivity and the relaxation time in a phonon system. By means of the plasma model of the metal V. P. Silin, Zyryanov, and G. G. Taluts have already investigated the velocity of sound, electric conductivity, Debye temperature, sound absorption, and other effects; the results obtained showed satisfactory agreement with experiments. The advantage offered by the plasma model is above all in the mathematical apparatus available for this model (method of collective excitations). The free path calculated here within the framework of the plasma model is used for the purpose of estimating

Card 1/3