

HRUSKOVA, J.; STUHLIKOVA, E.; MLATECKOVA, V.; KOTORA, O.; POKORNY, J.;
FICHL, O.; Statisticka spoluprace: SPALA, M.

Effect of obesity and age on the carbohydrate metabolism. Cesk.
gastroent. vyz. 19 no.5:273-279 J1 '65.

I. IV. interni klinika fakulty vseobecneho lekarstvi Karlovy
University v Praze (prednosta prof. dr. M. Fucik).

STECHLIKOVA, E.; TENOROVA-JELINKOVA, M.

Electrophoresis and immunoelectrophoresis of serum proteins.
I. Influence of hydrogen-ion concentration. Storn. lek. 67
no.3:65-71 Mr'65.

Electrophoresis and immunoelectrophoresis of serum proteins.
II. Influence of proteolytic enzymes. Ibid.:72-79

1. Patředi biochemické laboratorie fakultní nemocnice I v
Praze (ředitelka: MUDr. A. Komarková) a Fyziologický ústav
Československé akademie věd v Praze.

STUCHLY, P.

Classification of patents in the field of food and refrigeration technology. p.119.
(Sbirka Vynalezu, Vol. 6, No. 6, June 1957, Praha, Czechoslovakia)

SO: Monthly List of East European Accessions (EEAL) I^c. Vol. 6, No. 9, Sept. 1957. Uncl.

STICHEL, A.

THESE 1960

periodicals: PROCESSES Vol. 2, no. 8, Aug. 1958

STICHEL, A. Vitaminization of food according to Swiss regulations.
p. 430.

Monthly List of East European Accessions (EMEA) IC Vol. 9, no. 5
May 1959, Unclass.

COUNTRY : Czechoslovakia H-17
CATEGORY :
ABST. JOUR. : RZKham., No. 1959, No. 88226
AUTHOR : Stuchly, B.
ISSN. :
TITLE : Permissible Content of Metals in Food
Products
ORIG. PUB. : Prumysl potravin, 1959, 10, No 1, 33
ABSTRACT : A review of the legal standards of various
countries concerning the content of metals in foods.

CARD:

248

STUCHLY, Janusz, mgr. inż. (Lublin)

Plans for a gas network in new housing projects. Gaz woda techn sanit
36 no. 4:142-146. Ac '62

SPERSKI, Boleslaw; STUCHLY, Janusz

The city of Krakow gas-pipe network as an example of ways of increasing the transfer capacity of such installations. Gaz woda tech sanit 36 no.6:202-203 Je '62.

1. Zaklady Gazownictwa Okregu Krakowskiego, Krakow.

STUCHLY, Janusz, mgr inz.

Remarks on the standards in force on the design of gas lines.
Gaz woda techn sanit 37 no.11:369-373 N '63.

9.1300

POL/22-59-10/11-9/12

AUTHORS: Stuch/y, Stanislaw; Krawczyk, Franciszek

TITLE: Waveguide Attenuator, Type OF 4.5

PERIODICAL: Przegląd Telekomunikacyjny, 1959, No. 10/11, p. 325, Supplement;
Biuletyn Przemysłowego Instytutu Telekomunikacji, 1959, No. 4

TEXT: The article describes the OF 4.5 waveguide attenuator, designed by the Industrial Telecommunications Institute for use chiefly in measuring standing wave coefficients in microwave systems. Measurement is effected by heat generated by reflected waves in a lamina covered with colloidal graphite and placed along the axis of the waveguide. Basic characteristics: frequency response: 5.85 - 8.20 kmc (i.e., 5.12 - 3.66 cm); standing wave coefficient: < 1.05; mean current: < 2 w; weight: approximately 0.35 kg; outside dimensions: 167 x 60 x 40 mm; inside dimensions: 34.85 x 15.80 mm. The instrument is produced on special order, which must be addressed to the Experimental Laboratory of the Industrial Telecommunications Institute, Warsaw 26, 30 Poligonowa St. There are: 1 set of diagrams and 1 photo.

Card 1/1

STUCHLY, Stanislaw, mgr inz.; KRASZEWSKI, Andrzej, mgr inz.

Microwave ferrite devices for the J-cm band. Przegl telekom
36 no.12:341-349 D '64.

1. Experimental Laboratory of Designing Scientific Apparatus
of the Polish Academy of Sciences, Warsaw.

L 48281-65 EEG(b)-2/EED-2 Pj-4/Peb IJP(c)

PO/0022/64/000/012/0341/0349

ACCESSION NR: AP5014090

AUTHOR: Stuchly, Stanislaw (Master engineer); Kraszewski, Andrzej (Master engineer) ³¹_{B.}

TITLE: Ferrite devices for the 3-cm microwave band

SOURCE: Przegląd telekomunikacyjny, no. 12, 1964, 341-349

TOPIC TAGS: microwave, microwave component, iron compound, ferromagnetic material, communication equipment

Abstract: The article reviews three basic phenomena which are utilized in the design and construction of microwave devices: 1) the Faraday-rotation of the plane of polarization, 2) the irreversible phase shift in a wave-guide with a transversely magnetized ferrite, and 3) the gyro-magnetic resonance. Existing ferrite devices for microwave application are classified and two of the irreversible types are described in detail; these are isolators and circulators. A total of ten models designed and built by UNIPAN are shown together with their outstanding features, performance characteristics and other technical data. In addition, some important application problems are discussed. Thus, the ferrite isolator provides the most

Card 1/2

L 48281-65

ACCESSION NR: AP5014090

advantageous method for protecting a microwave generator against detrimental effects of load changes. The ferrite circulator can be used for the same purpose and also as an efficient switching device in transmitter-receiver systems with a common antenna, or for separating signals in receivers operating on several frequencies at the same time. Orig. art. has 28 figures and 5 tables.

ASSOCIATION: UNIPAN, Warsaw

SUBMITTED: OO

ENCL: OO

SUB CODE: EC, EM

NO REF SOV: 000

OTHER: 009

JPRS

Card 2/2-70

ACC NR: AP6022990

SOURCE CODE: PO/0022/65/000/003/0071/0073

AUTHOR: Kraszewski, Andrzej (Master engineer); Stuchly, Stanislaw (Master engineer)

ORG: UNIPAN, Warsaw

TITLE: Dual-mode wide-band tee in a circular waveguide

SOURCE: Przegląd telekomunikacyjny, no. 3, 1965, 71-73

TOPIC TAGS: circular waveguide, electric impedance, electric inductance, transformer, frequency band

41
B

ABSTRACT: The article describes a dual-mode tee with wide-band matching characteristics for a circular waveguide. Of the two basic parameters, namely the isolation of both modes of the H_{11} wave and wideband matching, the latter is discussed in greater detail. A new method is presented which utilizes the orthogonality of both modes of the wave. Experimental results are shown in the form of input impedance diagrams for the 8.6-10.0 Gc frequency range. An impedance transformer and an inductance diaphragm in the vertical branch of the tee, a matching disk placed at the bottom along the branch axis are all that is needed; this design can be adapted to any frequency band. Orig. art. has: 9 figures. [JPRS]

SUB CODE: 09, 20 / SUBM DATE: none / OTH REF: 004

Card 1/1 *LC*

UDC: 621.396.96

0915 *1075*

STUCHLY, Stanislaw

POLAND

WZKPECKA, Maria; STUCHLY, Stanislaw; KRASZEWSKI, Andrzej

UNIPAN, Warsaw (for all)

Warsaw, Przegled elektroniczny, No 1, January 1966, pp 40-43

"Microwave ferrite modulators."

L 29011-11

ACC NR: AP6018290

SOURCE CODE: PO/0053/65/000/011/0534/0548

AUTHOR: Stuchly, Stanislaw

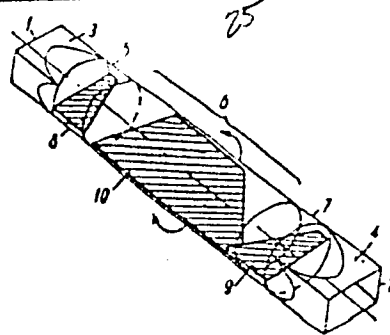
ORG: None

TITLE: The rotary-vane attenuator, a primary attenuation standard for the microwave range

SOURCE: Przegląd elektroniki, no. 11, 1965, 534-548

TOPIC TAGS: microwave attenuator, waveguide element, electromagnetic wave absorption, circular waveguide, rectangular waveguide

ABSTRACT: A description is given for the absorptive waveguide attenuator shown in the figure. This rotary-vane attenuator consists of three sections of circular waveguide 5, 6, and 7 and two input stubs 3 and 4 for transition from rectangular to circular waveguide sections. In the circular waveguide sections are installed close-fitting absorption plates 8, 9, and 10 which are lined up in the zero position. The middle waveguide section 6 has a readout scale and may be rotated with respect to the two end sections. A wave entering the first fixed section of circular waveguide 5 from 1 is perpendicular to absorption plate 8 and therefore passes with very little attenuation. In the middle section 6 where the plate is set at an angle α to the end sections 5 and 7, the



UDC: 621.396.96

Card 1/2

L 39041-55

ACC NR: AP6018290

SOURCE CODE: PO/0053/65/000/011/0534/0548

AUTHOR: Stuchly, Stanislaw

ORG: None

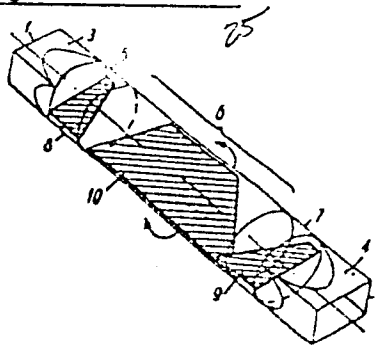
44
46
B

TITLE: The rotary-vane attenuator, a primary attenuation standard for the microwave range

SOURCE: Przegląd elektroniki, no. 11, 1965, 534-548

TOPIC TAGS: microwave attenuator, waveguide element, electromagnetic wave absorption, circular waveguide, rectangular waveguide

ABSTRACT: A description is given for the absorptive waveguide attenuator shown in the figure. This rotary-vane attenuator consists of three sections of circular waveguide 5, 6, and 7 and two input stubs 3 and 4 for transition from rectangular to circular waveguide sections. In the circular waveguide sections are installed close-fitting absorption plates 8, 9, and 10 which are lined up in the zero position. The middle waveguide section 6 has a readout scale and may be rotated with respect to the two end sections. A wave entering the first fixed section of circular waveguide 5 from 1 is perpendicular to absorption plate 8 and therefore passes with very little attenuation. In the middle section 6 where the plate is set at an angle α to the end sections 5 and 7, the



Card 1/2

UDC: 621.396.96

L 22807-66

ACC NR: AP6010797

SOURCE CODE: PO/0053/66/000/003/0147/0153

AUTHOR: Stuchly, S.; Wlodek, J.

32
B

ORG: none

TITLE: Measurement of microwave attenuation *gm*

SOURCE: Przegląd elektroniki, no. 3, 1966, 147-153

TOPIC TAGS: microwave attenuator, microwave technology, electronic measurement

ABSTRACT: A unit for the measurement of microwave attenuation by substitution of standard 1f attenuation is described. It was developed and tested at the Establishment for the Experimental Construction of Scientific Instruments of the Polish Academy of Sciences in Warsaw. A block diagram is shown in the figure. The input signal from a stabilized microwave generator is divided between main and auxiliary channels, with the larger portion of power transmitted through the former. Signals at the ends of the channels are passed to a crystal diode mixer. The auxiliary channel contains an amplitude modulator and the investigated element. The magnitude of the modulated mixer output signal is proportional to that of the auxiliary channel. The mixer signal is compared to the signal produced by the modulating oscillator through the 1f standard attenuator. A zero indicator makes it possible to establish

Card 1/3

UDC: 621.396.96

L 22807-66

ACC NR: AP6010797

0

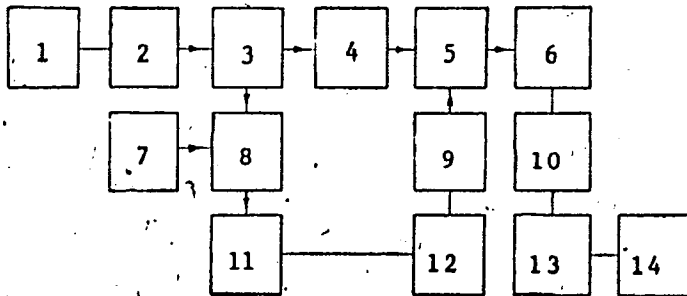


Fig. Block diagram of the measurement unit

1 - Microwave signal generator; 2 - ferrite isolator; 3 - directional coupler; 4 - phase shifter; 5 - directional coupler; 6 - matching transformer; 7 - lf oscillator; 8 - ferrite modulator; 9 - ferrite isolator; 10 - microwave detector; 11 - ferrite isolator; 12 - attenuator under investigation; 13 - lf standard attenuator; 14 - voltmeter.

lish balance conditions. The phase shift between signals in the main and auxiliary channels is either 0° or 360° . Laboratory tests were made of a unit for standard attenuation measurements in the X band at an operating frequency of 9400 Mc. The maximum error of the unit did not

Card 2/3

L 22807-66

ACC NR: AP6010797

exceed 0.25% within an attenuation range of 0—50 db with an SWR of the
measured element of 1.10 or less. Orig. art. has: 3 figures and 1
table.

[KM]

SUB CODE: 09, 17/ SUBM DATE: 08Oct65/ ATD PRESS: 4229

Card 3/3

L 36212-66 JT

SOURCE CODE: PO/0019/0014/003/059/0603

ACC NR: AP6018027

AUTHOR: Stuchly, S.; Kraszewski, A.

ORG: Experimental Institute for Construction of Scientific Equipment PAN, Warsaw
(Zaklad Doswiadczalny Budowy Aparatury Naukowej PAN)

TITLE: A wide-band transformer for connection between circular and rectangular waveguides

SOURCE: Archiwum elektrotechniki, v. 14, no. 3, 1965, 597-603

TOPIC TAGS: circular waveguide, waveguide coupler, rectangular waveguide, electric impedance, ~~Tschebyshev~~ polynomial

ABSTRACT: Fundamental relationships and curves are given for design of a wide-band combination mode transducer and impedance transformer for matching a rectangular waveguide with an H₁₀ wave to a circular waveguide with an H₁₁ wave. Truncated circular waveguide sections are used in the device with linear dimensions equal to 1/4 the wavelength in the waveguide. The wave impedance in each of these sections is proportional to the coefficients in the Tschebyshev polynomials. Experimental data are given from tests of a four-step X-band transformer designed for connecting a standard FP22x10 waveguide (22.86x10.16 mm) to a circular waveguide measuring 26.8 mm in diameter. The

UDC: 621.372.8:621.3.01

Card 1/2

L 36212-66

ACC NR: AP6018027

VSWR is less than 1.05 throughout the entire frequency range of the waveguide (8200-12400 Mc). The overall length of the unit is about 35 mm. Orig. art. has: 5 figures, 1 table, 3 formulas.

SUB CODE: 09/ SUBM DATE: 10Jan65/ ORIG REF: 000/ OTH REF: 007

Card 2/2 *llb*

STUCHLY, Zbigniew

Parasitosis of body lice in the general biological aspect. Arch. immun. ter. dosw. 9 no.4:865-880 '61.

1. Zaklad Biologii Ogolnej Akademii Medycznej we Wroclawiu.

(PEDICULOSIS)

STUCHLY, Zdenek, inz.

Forging dies cast from alloyed nodular cast iron with cored holes.
Zel dop tech 10 no.8:245-248 '62.

STUCIN D.

BRECELJ, B.; STUCIN, D.; BELIC, I.

The preservation and use of cadaveric bone homotransplantates in orthopedic surgery. Acta med. iugosl. 8 no.2:129-148 1954.

1. Ortopedska klinika i Institut za hemiju Medicinskog fakulteta u Ljubljani.

(BONE TISSUE, transpl.
homografts, ther. use & preserv.)

(TRANSPLANTATION
bone homografts, ther. use & preserv.)

STUCZYNSKA, J.; SKALACKI, S.

Modified way of germinating seeds on Petri dishes and qualitative determination of coumarin in melilot (*Melilotus* sp.), *Rocz nauk roln rosl* 87 no.3:559-564 '63.

1. Instytut Uprawy, Nawozenia i Gleboznawstwa, Odzial Gorzow, Pracownia Roslin Pastewnych.

STUCZYŃSKI, Edmund; STUCZYŃSKA, Jadwiga

Influence of the temperature and length of drying time on the coumarin content in biennial white clover (*Melilotus alba* Esch.).
Rosz nauk roln rosl 88 no.2:427-432 '64.

1. Laboratory of Fodder Plants, Gorzow Branch, Institute of Cultivation, Manuring and Soil Science.

STUBSYNSKI, Edmund

Influence of harvesting time and drying temperature on the per cent content of coumarin in biennial white sweet clover (*Melilotus albus* Desr.) Rocznik nauki rolniczej 88 no.2:289-304 1964.

1. Laboratory of Fodder Plants, Gorzow Branch of the Institute of Cultivation, Manuring and Soil Science.

STUCZYŃSKI, Edmund; STUCZYŃSKA, Jadwiga

Influence of the temperature and length of drying time on the coumarin content in biennial white clover (*Melilotus alba* Desr.).
Rozz nauk roln rosl 88 no.2:427-432 '64.

1. Laboratory of Fodder Plants, Gorzow branch, Institute of Cultivation, Manuring and Soil Science.

STUDAK V.

Searching for stone in stone regions.p. 288.CESTE I MOSTOVI.
(Uprava za cestre NR Hrvatske Aagreb. Vol. 4, no. 7, July 1956

SOURCE: East Europe Accession Lists (EEAL),
Library of Congress, Vol. 5, no. 11, Nov. 1956

STUDAK, V.

Observations on the construction of construction of concrete highways. p. 94.
(Ceste I Mostovi. Vol. 5, no. 3, Mar. 1957)

SO: Monthly List of East European Accessions (EEAL) L8, Vol. 6, no. 7, July 1957, Uncl.

STUDAK, V.

Beginning the construction of a modern road connecting Plitvice Lakes, Otocac, and Senj. p. 137.
(Ceste I Mostovi, Vol. 5, no. 4, Apr. 1957. Yugoslavia)

SC: Monthly List of East European Accessions (EEAL) LC, Vol. 6, no. 7, July 1957. Uncl.

STUDAK, V.

Traffic signs and regulations during the repair and reconstruction of roads. p. 10.
(Ceste i mostovi, Vol. 5, No. 5, May 1957, Zagreb, Yugoslavia)

SO: Monthly List of East European Accessions (MEAL) Lc. Vol. 6, No. 8, Aug 1957, Uncl.

SECRET, V.

SECRET, V. (S)

SECRET, V. (Structure of Foreign Spies)
SECRET, V. (Structure of Foreign Spies), no. 1, 1950, July/Aug. 1950.

SECRET, V. (Structure of Foreign Spies) (SECRET, V. (Structure of Foreign Spies), no. 1, 1950, July/Aug. 1950).

SECRET.

WOLNA, Jozefa, mgr; STUDENCKI, Jerzy, mgr

Determination of zirconium in magnesium alloys by tartrazine.
Rudy i metale 7 no.12:557-560 D '62.

STUBINSKI, Jerzy, mgr inż.

Determination of small gallium content. Rudy i metale
9 no. 3:130-136 Nr 164.

MAJUSECKI, Antoni, mgr; STUDENCKI, Jerzy, mgr

Solution spark analysis of aluminum alloys. Rudy i
metale 9 no.6:325-328 Je '64.

Shchegoleva, Ye. A.

Shchegoleva, Ye. A. "Izmeneniya v strukture i funktsionirovaniye" Trudy Vsesoyuznogo Nauchnogo Tsentra, Seriya Biologiya, p. 304-307, - (1961) - 1961

St: 1962, 17 Dec. 61, (Leningradskiy Zhurnal Inzh. Statist., No. 25, 1961).

STUDENETSAYA, YE. N.

Fabardis - Dwellings

Results of the study of contemporary dwellings of collective farmers (based on material of the Kalardinian ASSR). Krat. soob. Inst. etn. AN SSSR 14, 1952.

9. Monthly List of Russian Accessions, Library of Congress, September 1952, UNCL.

MANUSKI, B. M.; MOROZOVA, I. M.; SHIMENSKAYA, Ye. N.

"Problemy sootnosheniya traitsionnoy kul'tury i sovremennosti v ekspozitsii Gosudarstvennogo muzeya etnografii narodov SSSR."

report submitted for 7th Intl Cong, Anthropological & Ethnological Sciences, Moscow, 3-10 Aug 64.

STUDENETSKIY, M.V., inzhener-geolog.

Geological services in the road-building industry. Avt. dor.

19 no.6:21 Je '56.

(MLRA 9:9)

(Engineering geology) (Road construction)

СТУДЕНТСКИЙ, НИКОЛАЙ ВАСИЛЬЕВИЧ.

СТУДЕНТСКИЙ, НИКОЛАЙ ВАСИЛЬЕВИЧ. Путешествия по родной стране;
дневники пионеров и школьников. /Москва/ Молодая гвардия, 1954. 134 с.
MIC: Unclass.

no: 10, Soviet Geography, Part 1, 1951, Uncl.

SECRET

1. The purpose of this document is to provide information on the activities of the [redacted] in the [redacted] area. This information is being provided to you for your information only and is not to be disseminated outside your agency.

2. The [redacted] has been identified as a [redacted] and is being monitored as a [redacted]. The [redacted] is being monitored for [redacted] activities.

3. The [redacted] is being monitored for [redacted] activities. The [redacted] is being monitored for [redacted] activities.

IVCHENKO, Vladislav Vasil'yevich; STUDENETSKIY, S.A., glav.
red.; VLASENKO, V.G., red.

[Mathematical optimization principles in planning in the
fishing industry] Matematicheskie osnovy optimizatsii pla-
nirovaniia v rybnoi promyshlennosti. Kaliningrad, Izd-vo
gazety "Kaliningradskaiia pravda"] 1964. 57 p.
(MIRA 18:6)

51001 REF 1957, V. A.

USSR/Chemical Technology - Chemical Products and Their
Application. Carbohydrates and Refinement.

I-11

Abs Jour : Ref Zhur - Khimiya, No 1, 1958, 2773

Author : Studenetskiy, V.A.

Inst : All-Union Central Scientific Research Institute of the
Sugar Industry

Title : The Topics Plan of the All-Union Central Scientific
Research Institute of the Sugar Industry for 1957.

Orig Pub : Sakharnaya prom-st', 1957, No 6, 9-12

Abstract : A brief characterization of the individual topics and
of the entire plan as a whole.

Card 1/1

STUDENETSKIY, V.

Purification tank for continuous carbonation of sugar juices
(West German patent no. 961,340 My '58. (MIRA 11:6)
(Sugar industry--Equipment and supplies)

STUDENETSKIY, V.A.

Patents. Sakh. prom. 32 no.2:35 P '58.
(Sugar manufacture)

(MIRA 11:3)

STUMENTSKIY, V.A.

Operation of factory laboratories. Sakh. prez. 32 no. 3:20-23 Mr
'58. (MIRA 11:4)
(Sugar industry) (Chemical laboratories)

STUDENETSKIY, V.

Method and apparatus for saturation of sugar juices (West German
patent no. 937, 880 1956). Sakh. prom. 32 no.5:71 My '58.

(MIRA 11:6)

(Sugar manufacture)

STUDENETSKIY, V.

Glauadria for evaporators (West German patent no. 962,600 1957).

Sakh. prom. 32 no.5:72 My '58.

(MIRA 11:6)

(Evaporating appliances)

STUDENETSKIY, V.A.

Work of the Central Scientific Research Institute of the Sugar
Industry. Sakh. prom. 33 no.4:73-74 Ap '59. (MIRA 12:6)
(Sugar industry)

ZHVIRKO, I.S.; STUDENETSKIY, V.A.

First Congress of the Scientific and Technical Society of the
Food Industry. Sakh. prom. 33 no.8:77-78 Ag '59.

(MIRA 12:11)

(Food industry--Congresses)

KOKHAN, M.A. ; STUDENETSKIY, V.A.

In sugar factories of the Chernovtsy Sugar-Beet Trust. Sakh.
prom. 35 no.7:5-7 J1 '59. (MIRA 12:11)
(Chernovtsy--Sugar industry)

VOSTOKOV, A.I.; DECHINSKIY, F.A.; YEPISHIN, A.S.; KATS, V.N.;
KLEYMAN, B.M.; LEPESHKIN, I.P.; LIBKIND, L.I. [deceased];
MEL'NIK, M.K.; POPOV, N.G.; STUDENETSKIY, V.A.;
FRIDMAN, S.le.; SHAPIRO, A.I.; SILIN, P.M., prof.,
retsenzent; VINOGRADOV, N.V., prof., retsenzent;
FRITYKINA, L.A., red.

[Manual for a sugar worker] Spravochnik sakharnika. Mo-
skva, Pishchepromizdat. Pt.1. 1963. 699 p.
(MIRA 17:5)

СТАНЦИОНАВ. Ф.И., канд. техн. наук

laboratory studies of the tailrace of a hydraulic complex
and problems in the method of modeling erosion. Trudy Gidrav.
lab. VOEGEO no.10:197-225 '63. (MIRA 17:8)

ПРОЦЕДУРА, 1962.

ПРОЦЕДУРА, В. 1. -- "МЕТОДЫ ГИДРОДИНАМИЧЕСКОГО РАСЧЕТА ПЛОТВАКОВ." (Методы гидродинамического расчета плотваков (проблемы водоснабжения, гидротехнические сооружения, и др.) (диссертация на соискание степени кандидата технических наук).)

М.: ВЕНЕРНАЯ ПЕЧАТЬ, ЯНУАРИ-ОКТОБЕРЬ 1962

STUDENICHNIKOV, B.I., kandidat tekhnicheskikh nauk, starshiy nauchnyy sotrudnik.

New type of water intake works for mountain rivers. Trudy gidrav.lab.
VODGEO no.4:73-88 '55. (MLRA 9:10)
(Hydraulic engineering)

STUDENICHNIKOV, B.I., kand.tekhn.nauk

Some problems in the thory of flow over a weir and under a flat
gate. Trudy Gidrav.lab.VODGEO no.7:71-100 '59. (MIRA 13:8)
(Hydraulics)

STUDENICHNIKOV, B.I., kand.tekhn.nauk

Calculation and model studies of stream-bed erosion at the toe of
the dam. Trudy Gidrav.lab.VODGEO no.7:101-124 '59.(MIRA 13:8)
(Hydraulics)

STUDENICHNIKOV, B. I., kand.tekhn.nauk

Calculations of local washouts and some measures to make the
construction of spillways easier. Trudy Gidrav.lab.VODGEO
no.8:41-81 '62. (MIRA 15:11)
(Spillways)

STUDENICHNIKOV, B.I., kand.tekhn.nauk

Determination of noneroding velocities in enclosed channel
flows and washout galleries. Trudy Gidrav.lab.VODGEO no.8:91-98
'62. (MIRA 15:11)

(Hydrodynamics)

С.И. Бондарь, Б.И. Широкоры. Косм. научн. сер.

Специальные методы измерения деформаций на поверхности спутника и методы расчетов их напряжений. Москва, Строиздат, 1964. 182 п.
(MIRA 17:7)

STUDENIK, G.

Photo and motion-picture cameras at the exhibition in Klon, 1956.

P. 31. (Jemna Mechanika a Optike. Vol. 2, no. 1, Feb. 1957, Praha, Czechoslovakia)

Monthly Index of East European Accessions (FFAI) LC. Vol. 7, no. 2,
February 1958

STUDENIK, O.

The system of rays determining the quality of the image in lenses of large aperture.
p. 40.

(Jemna Mechanika A Optika. Vol. 2, no. 2, Apr. 1957. Praha, Czechoslovakia)

SO: Monthly List of East European Accessions (EEAL) LC, Vol. 6, no. 10, October 1957. Uncl.

CZECHOSLOVAKIA/Optics - Geometrical Optics

K-2

Abs Jour : Ref Zhur - Fizika, No 1, 1959, No 1864

Author : Studenik O.

Inst : -

Title : Mechanization of Optical Calculations with the Aid of an Automatic Computer.

Orig Pub : Jurna rech. o opt., 1958, 3, No 4, 138-140

Abstract : Brief description of the construction and operation of a relay computer with automatic program control manufactured by the LUSE firm (West Germany).

Cord : 1/1

STUDELIK, Otakar, dr.

The 3d International Congress of the International Union of
Motion Picture Engineering Societies in Prague. Jerna mech opt
5 no.11:355 N 1960.

1. THE STATE OF TEXAS

County of _____ State of Texas, I, _____, being a duly qualified elector of the County of _____ State of Texas, do hereby certify that _____ is the owner of the _____

_____ in the County of _____ State of Texas.

STUDENIK, V.

Simple method of presenting plans for mines. p. 110.
RUDY Vol. 4, no. 4, Apr. 1956

SOURCE: EAST EUROPEAN LISTS Vol. 5, no. 7, July 1956

APPROVED FOR RELEASE

SOURCE CODE: UR/0413/66/000/011/0077/0078

INVENTOR: Kopytov, V. I.; Studenikin, A. I.

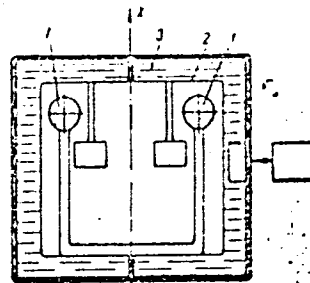
ORG: None

TITLE: A floating vibration gyroscope. Class 42, No. 182345

SOURCE: Izobreteniya, promyshlennyye obratzysy, tovarnyye znaki, no. 11, 1966, 77-78

TOPIC TAGS: gyroscope system, torsional vibration

ABSTRACT: This Author's Certificate introduces a floating vibration gyroscope containing a sensing element which consists of masses oscillating at resonance frequency in phase opposition. These masses are suspended in the housing on elastic torsional supports. The unit also contains a device for signal takeoff. The sensitivity of the gyroscope to the rate of angular motion of the housing is increased by making the sensing element in the form of an airtight float suspended in a liquid with inertial masses inside.



SUB CODE: 17, 13 SUBM DATE: 02Nov64

Cord 1/1

009/003/0100/0103
//

L 32941-66
ACC NR: AP6022062

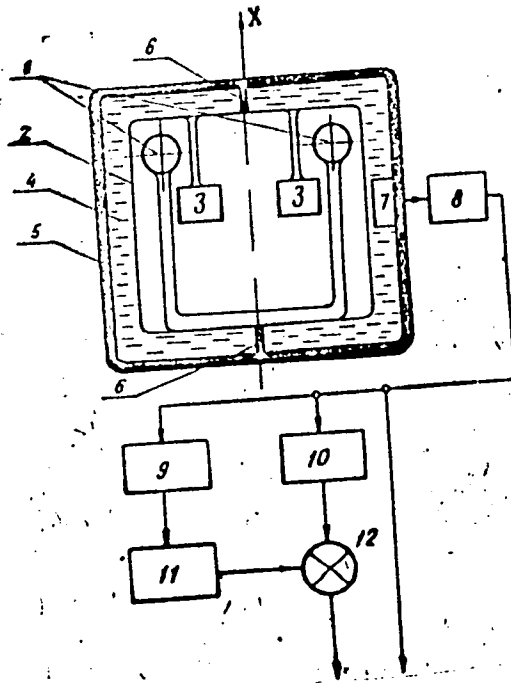


Fig. 1. Vibration gyro

- 1 - Tuning fork masses; 2 - sealed float; 3 - electromagnets;
- 4 - fluid; 5 - outer case; 6 - torsion springs; 7 - pickoff;
- 8 - discriminator; 9 - amplifier;
- 10 - differentiator; 11 - detector;
- 12 - summer.

Card 2/3

02941-66

ACC NR: AP6022062

rotate at a varying velocity, a corresponding modulation of the high-frequency sensed signal will appear. The carrier and modulation frequencies are separated in discriminator (8), after which the carrier signal is detected and the modulation signal is differentiated. The resulting signals are proportional respectively to the velocity of the float about the X-axis and the gyro case about the float, hence their sum yields the net platform velocity about the X-axis. From the motion equations for the system the authors show that the pickup sensitivity is a direct function of the applied vibrational frequency, and therefore can be designed to a desired level. This feature is cited as an advantage over the earlier Sperry vibrational gyro. Orig. art. has: 1 figure and 7 formulas. [SH]

SUB CODE: 17/ SUBM DATE: 17Oct65/ OTH REF: 002/ ATD PRESS: 5028

Card 3/3

I
STUDENKIN, M.V.

Serious defects in map work. Geog. v shkole 18 no.1:33-37
Ja-F '55. (MLRA 8:3)
(Maps)

GEDYMIN, A.V.; YANIKOV, G.V.; STUDENIKIN, M.V.; GUSEVA, I.N.

More on emphasis of maps. Vop. prog. no. 37:206-209 '55. (MLR 8:12)
(Geography--Study and teaching) (Kolosovskii, Nikolai Nikolaevich,
1891-1954)

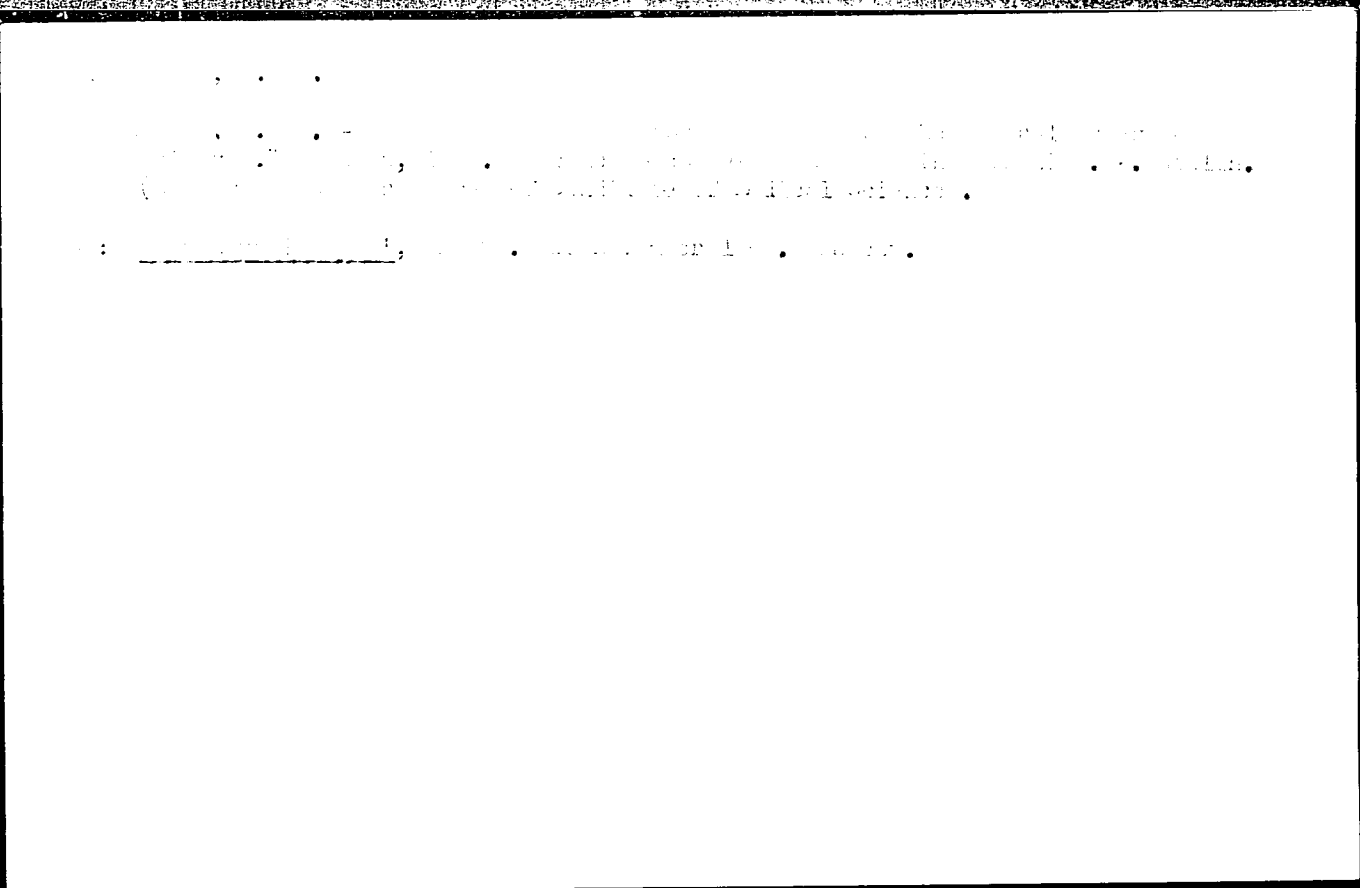
STUDENIKIN, M.V. (g.Gor'kiy)

Organization of an elementary course in physical and general
geography. Geog.v shkole 23 no.2:45-50 Mr-Ap '60.
(MIRA 13:6)

(Physical geography--Study and teaching)

STUDENIKIN, M.V. (Gor'kiy)

Important trend in changing the teaching of geography in school.
Geog. v shkole 24 no.4:59-62 J1-Ag '61. (MIRA 14:8)
(Geography--Study and teaching)



STUDENIKIN, M.Ya.

Tumorlike reticulosis in a two-and-a-half-month-old child. *Pediatria*
76 no.11:65-66 N '58. (MIRA 12:8)

1. Iz kafedry detskikh bolezney (zav. - prof. N.I. Osinovskiy) II
Moskovskogo meditsinskogo instituta imeni N.I. Pirogova na baze Detskoy
klinicheskoy bol'nitsy No.1 (glavnyy vrach - zasluzhennyy vrach RSFSR
Ye.V. Prokhorovich).

(RETICULO-ENDOTHELIAL SYSTEM--DISEASES)

STUDENIKIN, M.Ya.

Joint plenum of pediatricians, obstetricians, and gynecologists.
Pediatria 37 no.5:93-95 My '59. (MIRA 12:8)
(INFANTS (NEWBORN))

STUDENIKIN, M.Ya.; SKRIPKIN, Yu.K.

Erythromelalgia in children. Vop. okh. mat. i det. 6 no. 2:85-87
F '61. (MIRA 14'2)

1. Iz kliniki detskikh bolezney (zav. - zasluzhennyy deyatel'
nauki RSFSR prof. N.I. Osinovskiy [deceased]) i kliniki kozhnykh
i kliniki kozhnykh i venericheskikh bolezney (zav. - prof. M.M.
Zheltakov) II Moskovskogo meditsinskogo instituta imeni N.I.
Pirogova (dir. - dotsent M.G. Sirotkina).
(ERYTHROMELALGIA)

STUDENIKIN, M.Ya.; MUKHAMEDZYANOVA, G.S.

Current state of pediatric hematology and prospects for
its development. *Pediatrics* 41 no.10:3-9 0 '62.

(MIRA 17:2)

1. Iz Instituta pediatrii (dir. - dotsent M.Ya. Studenikin)
AMN SSSR.

STUDENIKIN, M. Ya.; NOVIKOVA, Ye. Ch.; UKLONSKAYA, R.A.

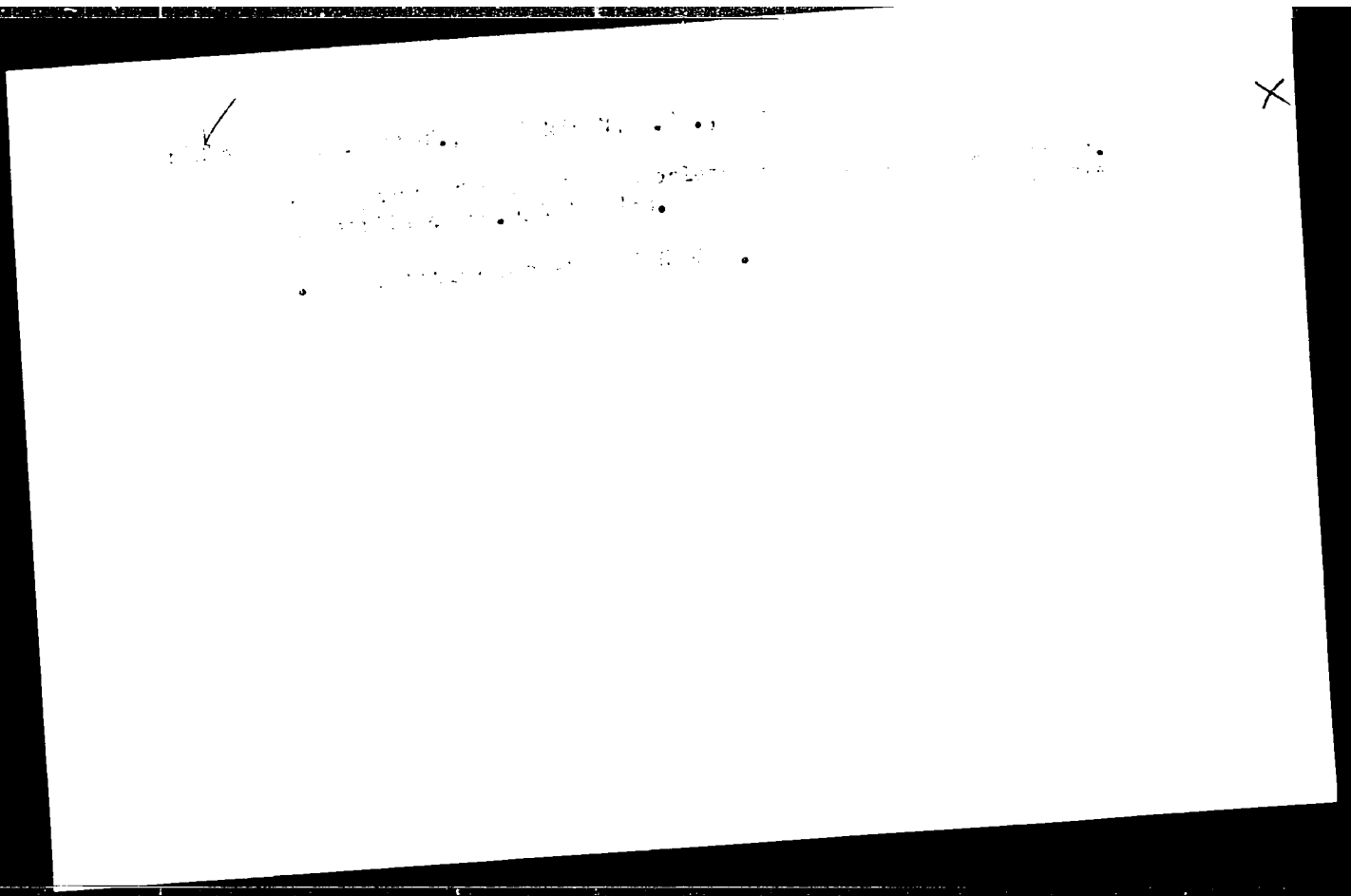
Fundamental results of research work dealing with the preservation of the health of newborn and premature infants during 1960-1961 and the tasks of further studies. *Pediatrriia* 41 no.11: 12-16 N°62 (MIRA 17:4)

1. Iz Instituta pediatrii (dir. - dotsent M. Ya. Studenikin)
AMN SSSR.

STUDENIKIN, M.Ya.; SKORNYAKOVA, L.K.

Current problems in pediatrics. *Pediatrics* 42 no.1:3-7
July. (MIRA 16:10)

(PEDIATRICS)



ABEZGAUZ, A.L., prof.; BUBNOVA, M.M., prof.; GUREVICH, Ye.S., prof.;
ZHUKOVSKIY, M.A., st. nauchn. sotr.; KARYSHEVA, K.A., kand.
med. nauk [deceased]; MAZURIN, A.V., dots.; NOSOV, S.D.,
prof.; NISEVICH, N.I., prof.; RAYTS, M.M., prof.;
SOKOLOVA-PONOMAREVA, O.D.; STUDENIKIN, M.Ya., dots.;
TOKAREVICH, K.N., prof.; SHIRVINDT, B.G., prof.; DOMBROVSKAYA,
Yu.F., otv. red.; OSTROVERKHOV, G.Ye., prof., glav. red.

[Multivolume manual on pediatrics] Mnogotomnoe rukovodstvo po
pediatrii. Moskva, Meditsina. Vol.6. [Infectious diseases in
children] Infektsionnye bolezni v detskom vozraste. 1964. 680 p.
(MIRA 17:7)

1. Deystvitel'nyy chlen AMN SSSR (for Dombrovskaya,
Sokolova-Ponomareva)

L 04254-67 EWT(m)/T DJ

ACC NR: AP6005378 (A)

SOURCE CODE: UR/0413/66/000/001/0122/0122

AUTHORS: Volkov, V. N.; Gurevich, A. Ya.; Makeyev, M. A.; Studenikin, S. P.; Shchekotov, V. P.

ORG: none

TITLE: A radial-piston hydraulic engine. Class 47, No. 177726 [announced by All-Union Scientific Research Institute of Building and Road Construction Machinery (Vsesoyuznyy nauchno-issledovatel'skiy institut stroitel'nogo i dorozhnogo mashinostroyeniya)]

SOURCE: Izobreteniya, promyshlennyye obraztsy, tovarnyye znaki, no. 1, 1966, 122

TOPIC TAGS: bushing, shaft, hydraulic device, piston engine

ABSTRACT: This Author Certificate presents a radial-piston hydraulic engine containing a stator with a profiled inner surface, a rotor (in the radial hollows of which pistons are placed), a radially positioned journal distributor of the working fluid with two systems of longitudinal channels for delivery and removal of the working fluid, and a cover attached to the stator with channels for delivery and removal of the working fluid. To increase the operating reliability of the hydraulic engine by complete removal of lateral retarding forces from the distributor, the systems of longitudinal channels of the distributor are arranged symmetrically about its axis and are coupled, correspondingly, with an annular port and a diametral channel

UDC: 621.225

Card 1/2

L 04254-67

ACC NR: AP6005378

made in different planes in the shaft of the distributor. A bushing with two diametral channels (which coincide with the annular port and the diametral channel of the distributor) is mounted on the shaft of the distributor. The outer surface of this bushing has four bare spots perpendicular to the axis of each diametral channel. The channels of the cover for delivery and removal of the working fluid are diametrically coupled and coincide with the diametral channels of the bushing. In each channel of the cover is a fixed cup with a convex spherical end, clamped by a spring centered in this cup to a disk with a concave spherical end, which is clamped by the opposite flat end to the bare spot on the bushing.

SUB CODE: 13/ SUBM DATE: 01Jul63.

fv

Card 2/2

STUDENIKINA, L. A.

PHASE I BOOK EXPLOITATION

SOV/6344

7

Alekseyeva, O. G., A. F. Bibikova, N. A. Vyalova, A. Ye. Ivanov, N. A. Krayevskiy, N. A. Kurshakov, N. V. Paramonova, V. N. Petushkov, V. V. Snegireva, L. A. Studenikina, Yu. M. Shtukkenberg, and A. Ya. Shulyatikova

Sluchay ostroy luchevoy bolezni u cheloveka (A Case of Acute Radiation Sickness in Man) Moscow, Medgiz, 1962. 149 p. 10,000 copies printed.

Ed. (Title page): N. A. Kurshakov, Corresponding Member Academy of Medical Sciences USSR, Professor; Ed.: S. P. Landau-Tylkina; Tech. Ed.: N. A. Yakovleva.

PURPOSE: This monograph is intended for physicians and biologists.

COVERAGE: This book describes an actual case of acute radiation sickness in its severe form. It describes in detail clinical symptoms, changes in biochemical indexes, morphological changes in the nervous system, and the distribution of depth doses and energy absorption.

Card 1/3 |

LABAYANTS, R.S.; BLAGOVESHCHENSKAYA, V.V.; VERGILESCOVA, I.I.; VITSUNOV, Yu.V.;
VYAZOVA, N.A.; GLAZUNOV, I.S.; DRUTMAN, R.P.; KEMENYURAYA, N.N.;
KOPKOVA, E.S.; KUBSHAKOV, N.A., prof.; LAR CHEVA, I.P.; LYSEVA, M.N.;
MAYSHOVA, M.S.; PETUSHKOV, V.N.; RYKOVA, N.N.; SOKOLOVA, I.I.;
STUDENIKINA, I.A.; CHUSOVA, V.N.; SHESTIKHINA, G.N.; SHULYATIKOVA,
A.Ya.; SHTOKKENBERG, Yu.M.; BARANOVA, Ya.F., red.

[Acute radiation lesion in man] Ostraya radioatsionnaya travma
u cheloveka. Moskva, Meditsina, 1966. 313 p.

(MIRA 18:9)

J. Chlen-korrespondent AMN SSSR (for Kurshakov).

FAMUTOV, Valentin Karlovich ; STUDENIKINA, M.S., red.; ANTONOVA,
V.P., red.

[Powers of governmental organs to decide economic issues
in industry] Kompetentsiia gosudarstvennykh organov v re-
shenii khoziaistvennykh voprosov promyshlennosti. Mo-
skva, "Iuridicheskaiia literatura," 1964. 265 p.
(MIRA 17:4)

KOTOV, V.S.; STUDENIKINA, M.V.

Dispersed organic matter Neogene rocks in the western Kuban.
Trudy KF VNII no.3:180-189 '60. (MIRA 13:11)
(Kuban--Organic matter)

L 19793-66 EWT(m)/EWA(d)/T/EWP(t)/EWP(z)/EWP(b)/ETC(m) MJW/JD/MH/DJ
ACC NR: AP5028410 SOURCE CODE: UR/0229/65/000/010/0043/0046

AUTHORS: Borisenko, K. I.; Durmashkin, S. Sh.; Studenko, D. I. 30
B

ORG: none

TITLE: The possibility of eliminating greasing in longitudinal launching of ships from inclined building slips

SOURCE: Sudostroyeniye, no. 10, 1965, 43-46

TOPIC TAGS: ship construction, ship building/ ShKh15 steel 6

ABSTRACT: A new method for launching ships from inclined building slips is presented. After a discussion of possible use of solid lubricants such as teflon on the ways, these materials are discarded as impractical because of high friction coefficients. Ball and roller type cradles used by the Japanese since 1947, by the British since 1961, and (improved) by the Germans in 1962 have disadvantages such as jamming of rollers and loss of part of the balls and rollers into the harbor during launching. The authors present a new type of cradle (as per Author Certificate No. 165387, 8/V, 1964) which has the balls guided by flexible steel separators (see Fig. 1). The 90-mm diameter steel balls (ShKh15 steel) have a 2.5-ton load capacity with a 5--6 fold overload capability. The balls are placed at constant intervals of 250 mm in two (for ships weighing < 300 tons), three (7000-8000 tons), or more (> 8000 tons) rows. Calculations performed for several ship-building yards showed that modification costs

Card 1/2

UDC: 629.12.002.28

L. 19393-66

ACC NR: AP5028410

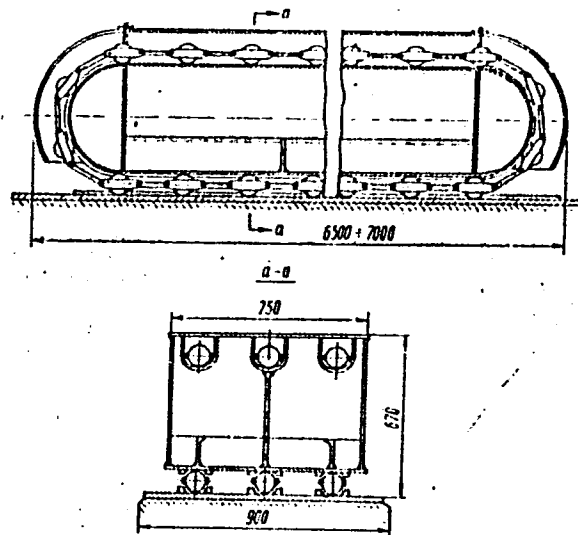


Fig. 1. Slide with ball bearing supports.

for the building slips (addition of steel races) would be recovered in 5--6 years and that elimination of the old method would save about 30 000 rubles annually. Tests have been performed with 1/6th scale models of the cradles. A friction coefficient of 0.025--0.029 was common, and the performance was excellent. These cradles could also be used for lateral ship launching or horizontal moving of large loads. Orig. art. has 4 figures and 1 table.

Card 2/2 JT

SUB CODE: 13/ SUBM DATE: none

STUDENNIKOV, Yu.A.; YERKOVICH, G.Ye.

Balancing conductors for VR5/20 thermocouples. Zav.lab. 31
no.3:390-391 '65. (MIRA 18:12)

1. Irkutskiy gosudarstvennyy nauchno-issledovatel'skiy
institut redkikh metallov.

KNORRE, K.G.; STUDENIKOVA, Z.V.

Sixth session of the Commission for the Determination of the Absolute
Age of Geological Formations. Geokhimiia no.5:435 '57.
(MIRA 12:3)

(Geological time)

STUDENIKOVA, Z.V.; KNORRE, K.G.

Age of granites of the North Caucasus [with summary in English].

Geokhimiia no.7:573-579 '57.

(MIRA 11:1)

1. Institut geokhimi i analiticheskoy khimii im. V.I. Vernadskogo
AN SSSR, Moskva.

(Caucasus, Northern--Granites)

(Nuclear geophysics)

Studenikova, Z. V.

AUTHORS: Studenikova, Z. V., Zolotareva, V. A.

7-1-3/12

TITLE: Rhenium in Molybdenites of the Tyrny-Auz Deposit
(Reniye v molibdenitakh mestorozhdeniya Tyrny-Auz)

PERIODICAL: *Geokhimiya*, 1958, No 1, pp. 31-39 (USSR)

ABSTRACT: Rhenium is extremely dispersed; the data of I. and W. Moddack are given in table 1. A certain concentration takes place in the molybdenites as rhenium is closely related to molybdenum as to its chemical properties and its ionic radius (0,68 Å). The contents of rhenium of different deposits of molybdenites in the world are given in table 2, the data of Soviet deposits are given in table 3.

The authors investigated the molybdenites of Tyrny-Auz. Rhenium was extracted with mercury as a reducing agent and potassium thiocyanate in ether, and was determined colorimetrically in 2-n-hydrochloric acid as a thiocyanate complex in the presence of tin(II)chloride as a reducing agent. This method, as worked out by A. N. Grunina (reference 5), has an exactitude of 10% and a sensitivity of 0,1 μ /l.

Table 4 shows the contents of rhenium of 72 investigated molybdenite samples. According to their paragenesis the

Card 1/3

Rhenium in Molybdenites of the Tyrny-Auz Deposit

7-1-8/12

samples can be classified as follows (the average rhenium contents are given in brackets): Molybdenites from

- 1) Skarns ($3,99 \cdot 10^{-4}\%$)
- 2) Leucocratic granites ($1 \cdot 10^{-5}\%$)
- 3) Quartz veins a) in biotite hornblende rock ($3,47 \cdot 10^{-4}\%$)
b) in leucocratic granites ($1,8 \cdot 10^{-4}\%$)
c) in skarns ($2,68 \cdot 10^{-4}\%$)
- 4) Quartz-feldspar veins ($2,19 \cdot 10^{-4}\%$)
- 5) Skarn veins ($3,36 \cdot 10^{-4}\%$)
- 6) Quartz-garnet veins ($3,65 \cdot 10^{-4}\%$)

Thus the average contents of rhenium in the Tyrny-Auz type of molybdenites is $3,23 \cdot 10^{-4}\%$ according to all the data. Moreover is shown:

- 1) The smallest contents of rhenium are found in molybdenites which are either dispersed or veins in leucocratic granites.
- 2) The highest concentration of rhenium is found in molybdenites from quartz-garnet veins in the skarn. Among these the molybdenites of augite-vesuvian-wollastonite skarns are leading. There are 5 tables and 5 references, 4 of which are Slavic.

Card 2/3

Rhenium in Molybdenites of the Tyrny-Auz Deposit

7-1-8/12

ASSOCIATION: Institute for Geochemistry and Analytical Chemistry imeni
V. I. Vernadskiy AS USSR, Moscow (Institut geokhimii i
analiticheskoy khimii im. V. I. Vernadskogo AN SSSR, Moskva)

SUBMITTED: October 1, 1957

AVAILABLE: Library of Congress

1. Rhenium-Determination 2. Molybdenum 3. Quartz

Card 3/3

STUDENIKOVA, L. I.

Studenikova, Z. V., K. G. Knorre, S. I. Zykov, V. A. Fedorova - Data
on the Age of the Caucasus.

The Sixth Session of the Committee for Determining the Absolute Age of
Geologic Formations at the Department of Geologic-Geographical Sciences
(GGN) of the USSR Academy of Sciences at Sverdlovsk in May 1957

Izv. Akad. Nauk USSR, Ser. Geol., No. 1, 1958, p. 115-117 author Pekarzhaya, T. D.