

ESL

A Subsidiary of TRW



**PHASE III
DESIGN REVIEW OF TECHNICAL APPROACH
FBIS MODERNIZATION PROGRAM**

30 OCTOBER 1984

CONTRACT NO. 84X-927700-000

495 Java Drive • P.O. Box 3510 • Sunnyvale, CA 94088-3510 • 408.738.2888

COPY NO. /

Declassified and Approved For Release 2012/05/31 : CIA-RDP88-00218R000300030001-0

PHASE III

DESIGN REVIEW OF TECHNICAL APPROACH

FBIS MODERNIZATION PROGRAM

CONTRACT NO. 84X*927700*000

30 OCTOBER 1984

**ESL INCORPORATED
A SUBSIDIARY OF TRW
SUNNYVALE, CALIFORNIA**

Declassified and Approved For Release 2012/05/31 : CIA-RDP88-00218R000300030001-0

Declassified and Approved For Release 2012/05/31 : CIA-RDP88-00218R000300030001-0

ESL
A Subsidiary of TRW

TRW

1. INTRODUCTION AND AGENDA

Declassified and Approved For Release 2012/05/31 : CIA-RDP88-00218R000300030001-0

ESL
A Subsidiary of TRW

FBIS-AGENDA FOR FBIS MODERNIZATION
PHASE III DESIGN REVIEW - DAY 1



<u>BRIEFER</u>	<u>TIME</u>	<u>TOPIC</u>
DAHLBERG	9:00	1. INTRODUCTION AND AGENDA
HAAS	9:05	2. FBIS AND ESL
DAHLBERG	9:15	3. PHASE III HIGHLIGHTS
FRISBIE, LEE	9:25	4. BUREAU DESIGN AND OPS CONCEPT - OVERVIEW - COLLECTION SUBSYSTEM
	12:00	LUNCH
	1:00	- INFORMATION PROCESSING SUBSYSTEM - BUREAU CONFIGURATIONS (HARDWARE SIZING) - DEVELOPMENT AREAS (SOFTWARE SIZING) - DESIGN TRADEOFFS AND VENDOR SELECTION - RISKS - OPEN ISSUES - SUMMARY
KENYON, FORSTER	2:45	5. HEADQUARTERS DESIGN AND OPS CONCEPT - HEADQUARTERS DESIGN
	4:30	END DAY 1

ESL
A Subsidiary of TRW

**FBIS-AGENDA FOR FBIS MODERNIZATION
PHASE III DESIGN REVIEW - DAY 2**



<u>BRIEFER</u>	<u>TIME</u>	<u>TOPIC</u>
KENYON, FORSTER	9:00	5. HEADQUARTERS DESIGN AND OPS CONCEPT (CONTINUED) - DAILY OPERATIONS - TRANSLATION SERVICES - ANALYTICAL SERVICES - DESIGN SUMMARY - OPS CONCEPT - SUMMARY
	12:00	LUNCH
DAHLBERG	1:00	6. PROGRAM COST/SCHEDULE UPDATE - SUMMARY OF WBS CHANGES - BASIS OF ESTIMATES - ANALYSIS OF WBS COST DISTRIBUTION - SCHEDULE - SUMMARY
HAAS	2:00	7. PLANS FOR NEXT PHASE

Declassified and Approved For Release 2012/05/31 : CIA-RDP88-00218R000300030001-0

ESL
A Subsidiary of TRW

TRW

2. FBIS AND ESL

Declassified and Approved For Release 2012/05/31 : CIA-RDP88-00218R000300030001-0

ESL

A Subsidiary of TRW

FBIS—FBIS MODERNIZATION PROGRAM IS IMPORTANT TO ESL



- 0 MAJOR NEW OPPORTUNITY
- 0 OFFERS A FOCUS FOR DATA BASE INTERNAL R&D ON FAST DATA RETRIEVAL PROBLEM
- 0 A LOGICAL WAY FOR STRATEGIC SYSTEMS DIVISION TO EXPAND ITS EXISTING SYSTEMS BUSINESS
- 0 STAFF AND RESOURCES ARE AVAILABLE
- 0 ESL AND HEADQUARTERS HAVE HAD A LONG TERM RELATIONSHIP

ESL
A Subsidiary of TRW

FBIS-ESL'S CAPABILITIES MATCH FBIS NEEDS



- 0 ESL'S SIGNAL INTELLIGENCE EXPERIENCE IS DIRECTLY APPLICABLE TO FBIS'S FOREIGN BROADCAST ACQUISITION FACILITIES
- 0 ESL HAS LARGE GOVERNMENT PROGRAM AND ON-SITE OPERATIONS AND MAINTENANCE EXPERIENCE
- 0 ESL TAKES A BALANCED VIEW OF SYSTEM DESIGN AND VENDOR SELECTION
- 0 ESL IS CONCERNED ABOUT USER SUITABLE DESIGN
- 0 ESL HAS COMMITTED RESOURCES TO THE PROGRAM AND WILL CONTINUE TO DO SO
- 0 WE UNDERSTAND THE PROBLEM

Declassified and Approved For Release 2012/05/31 : CIA-RDP88-00218R000300030001-0

ESL
A Subsidiary of TRW

TRW

3. PHASE III HIGHLIGHTS

Declassified and Approved For Release 2012/05/31 : CIA-RDP88-00218R000300030001-0

ESL
A Subsidiary of TRW

FBIS-PHASE III HIGHLIGHTS



-
- 0 DESIGN AND OPS CONCEPT BRIEFING
 - DISCLOSES AND EXPLAINS DESIGN
 - SPECIFIES VENDORS AND SOFTWARE DEVELOPMENT TASKS

 - 0 COST BRIEFING, WBS, AND SCHEDULE
 - COSTS SUPPORTED BY DESIGN INVENTORY OF PURCHASED EQUIPMENT AND DEVELOPED SOFTWARE
 - COSTS ANALYZED FOR BASIS AND DISTRIBUTION

 - 0 SPECIFICATION AND OPS CONCEPT
 - FORM FRAMEWORK FOR REWORKED REQUIREMENTS

Declassified and Approved For Release 2012/05/31 : CIA-RDP88-00218R000300030001-0

ESL
A Subsidiary of TRW

TRW

4. BUREAU DESIGN AND OPS CONCEPT

Declassified and Approved For Release 2012/05/31 : CIA-RDP88-00218R000300030001-0

ESL
A Subsidiary of TRW

FBIS-BUREAU BRIEFING INTRODUCTION



- 0 BUREAU OVERVIEW
- 0 COLLECTION SUBSYSTEM
 - {EXPANDED ON NEXT VUGRAPH}
- 0 INFORMATION PROCESSING SUBSYSTEM
 - {EXPANDED ON NEXT VUGRAPH}
- 0 BUREAU CONFIGURATIONS (HARDWARE SIZING)
 - ASSUMED EQUIPMENT COUNTS
 - HARDWARE COST BASIS
- 0 DEVELOPMENT AREAS (SOFTWARE SIZING)
 - NEW SOFTWARE
 - SOFTWARE MODIFICATIONS
- 0 DESIGN TRADEOFFS SUMMARY
 - ARCHITECTURE TRADEOFFS
 - VENDOR SELECTIONS
- 0 RISKS
 - DEVELOPMENTAL
 - PERFORMANCE/FUNCTIONALITY
- 0 OPEN ISSUES
- 0 SUMMARY

ESL
A Subsidiary of TRW

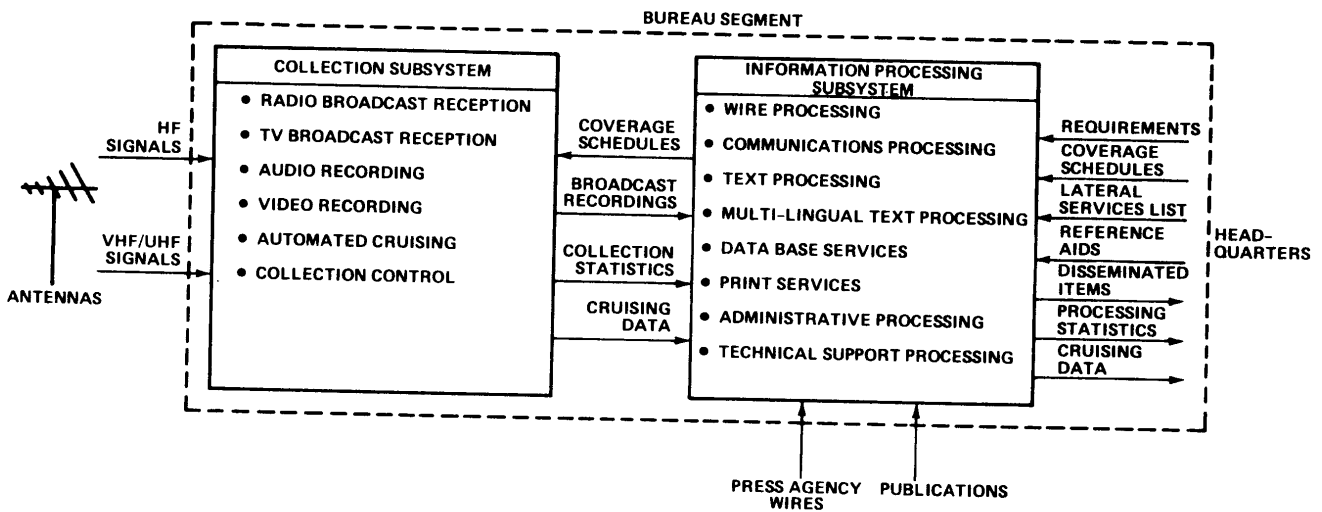
FBIS—SUBSYSTEM BRIEFINGS

TRW

- 0 SUBSYSTEM DESIGN
 - FUNCTIONAL BLOCK DIAGRAM
 - HARDWARE BLOCK DIAGRAM
 - HARDWARE COMPONENT DESCRIPTIONS
 - SUBSYSTEM INTERFACES
 - SOFTWARE HIERARCHY
 - SOFTWARE COMPONENT DESCRIPTIONS
- 0 DATA PATHS THROUGH ARCHITECTURE
 - BROADCAST COLLECTION OPERATION
 - CRUISING OPERATION
 - WIRE COLLECTION OPERATION
 - COMMUNICATIONS SERVER OPERATION
- 0 CONCEPT OF OPERATIONS
 - HF COLLECTION & RECORDING
 - TV COLLECTION & RECORDING
 - CRUISING
 - BROADCAST MONITORING
 - PRESS AGENCY WIRE MONITORING
 - PUBLICATIONS MONITORING
 - EDITING DISTRIBUTION

ESL
A Subsidiary of TRW

FBIS-BUREAU DESIGN OVERVIEW



ESL
A Subsidiary of TRW

FBIS—COLLECTION SUBSYSTEM—INTRODUCTION



- 0 PURPOSE
- 0 FUNCTIONAL REQUIREMENTS
 - HF COLLECTION
 - TV COLLECTION
 - AUTOMATED CRUISING
 - RECORDING
 - CONTROL
- 0 HARDWARE IMPLEMENTATION
 - HF COLLECTION
 - TV COLLECTION
 - AUTOMATED CRUISING
 - RECORDING
 - CONTROL
- 0 OPS CONCEPT
 - HF COLLECTION
 - TV COLLECTION
 - AUTOMATED CRUISING
 - RECORDING

ESL
A Subsidiary of TRW

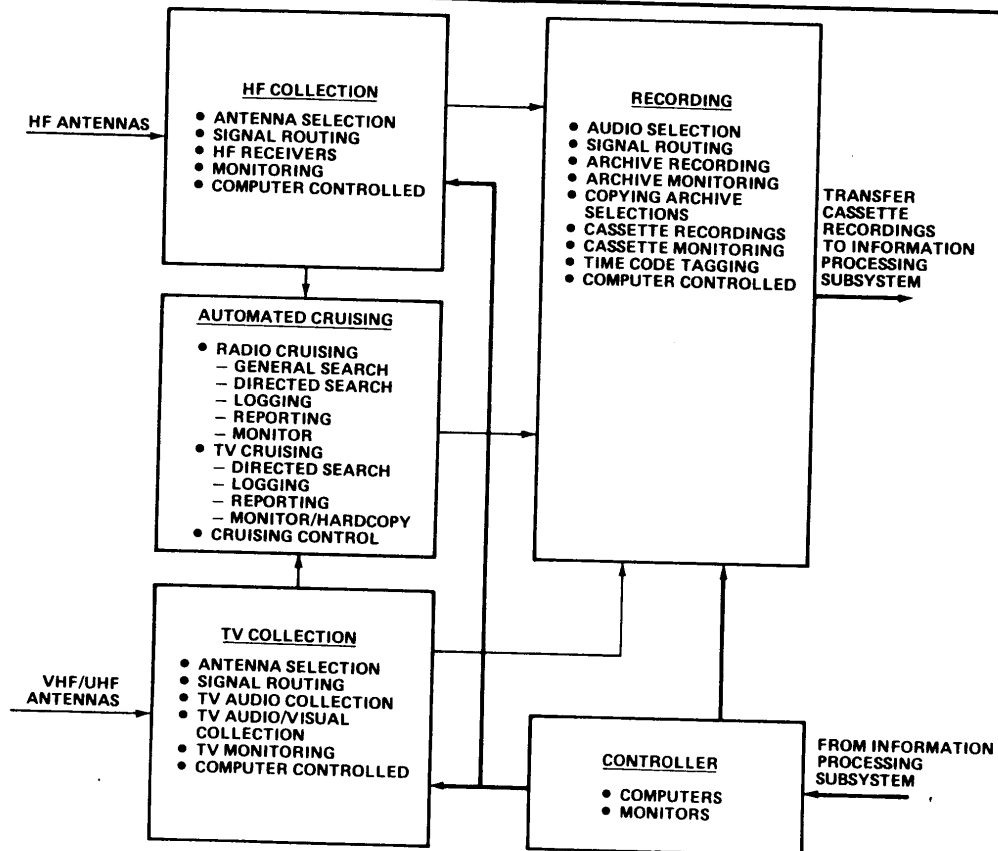
FBIS—COLLECTION SUBSYSTEM—PURPOSE



- 0 HF COLLECTION AND RECORDING
 - 0 AUTOMATIC ANTENNA SELECTION
 - 0 AUTOMATIC RECEIVER SELECTION
 - 0 AUTOMATIC RECORDING
 - 0 AUTOMATIC LOGGING
- 0 TV COLLECTION AND RECORDING
 - 0 AUTOMATIC ANTENNA SELECTION
 - 0 AUTOMATIC RECEIVER SELECTION
 - 0 AUTOMATIC AUDIO RECORDING
 - 0 AUTOMATIC AUDIO/VISUAL RECORDING
 - 0 AUTOMATIC LOGGING
- 0 AUTOMATED CRUISING
 - 0 SEARCH FOR NEW OR IMPROVED QUALITY OF HF BROADCAST SIGNALS
 - 0 PROCESS, LOG, AND DISPLAY THE RESULTS TO THE CRUISING OPERATOR
 - 0 RECORD AND MONITOR DEMODULATED AUDIO SIGNALS
 - 0 PROVIDE DIRECTED SEARCH OF TV BROADCAST SIGNALS
 - 0 PROCESS, LOG, AND DISPLAY THE RESULTS TO THE CURISING OPERATOR
 - 0 RECORD AND MONITOR TV AUDIO

ESL
A Subsidiary of TRW

FBIS-COLLECTION SUBSYSTEM FUNCTIONAL BLOCK DIAGRAM

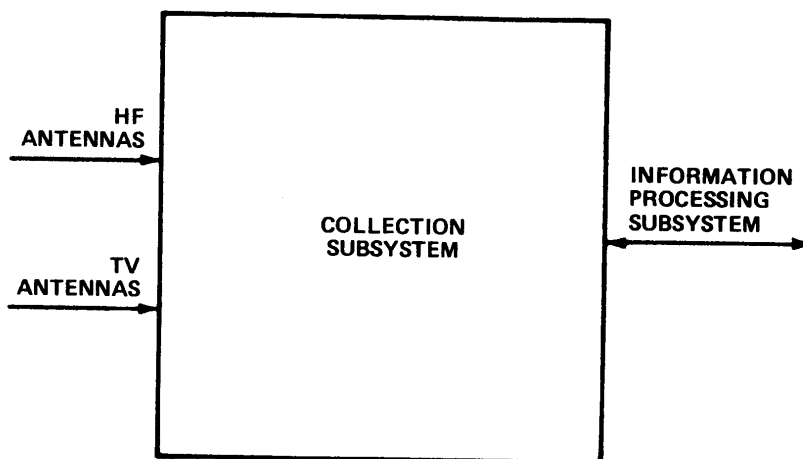


SV00007-4

ESL

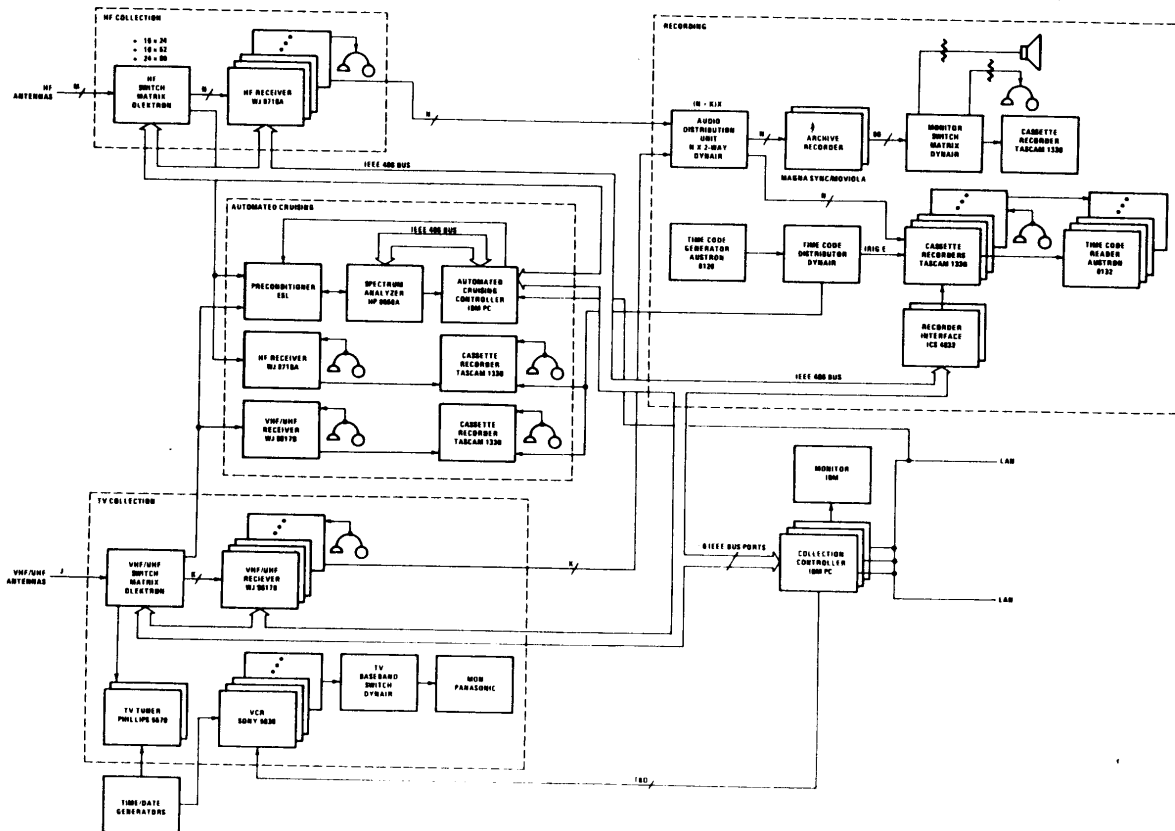
A Subsidiary of TRW

FBIS-COLLECTION SUBSYSTEM-INTERFACE DIAGRAM



ESL
A Subsidiary of TRW

FBI - COLLECTION SUBSYSTEM HARDWARE BLOCK DIAGRAM



ESL
A Subsidiary of TRW

FBIS—COLLECTION SUBSYSTEM—HARDWARE FEATURES



- o FLEXIBLE (ADAPTABLE TO EACH BUREAU)
 - o HARDWARE SIZED FOR BUREAU REQUIREMENTS
 - o LOCATION OF HARDWARE CUSTOMIZED FOR EACH BUREAU

- o MAINTAINABLE
 - o INDUSTRIAL QUALITY UNITS
 - o UNIT DIAGNOSTICS FOR FAULT ISOLATION

- o KEY FUNCTIONS ARE AUTOMATED

- o REMOTELY CONTROLLED UNITS HAVE MANUAL OVERRIDES

Declassified and Approved For Release 2012/05/31 : CIA-RDP88-00218R000300030001-0

ESL

A Subsidiary of TRW

FBIS-COLLECTION SUBSYSTEM-HF COLLECTION EQUIPMENT

TRW

- o H. F. SWITCH MATRIX
- o HF RECEIVER
- o HEADSETS

Declassified and Approved For Release 2012/05/31 : CIA-RDP88-00218R000300030001-0

ESL
A Subsidiary of TRW

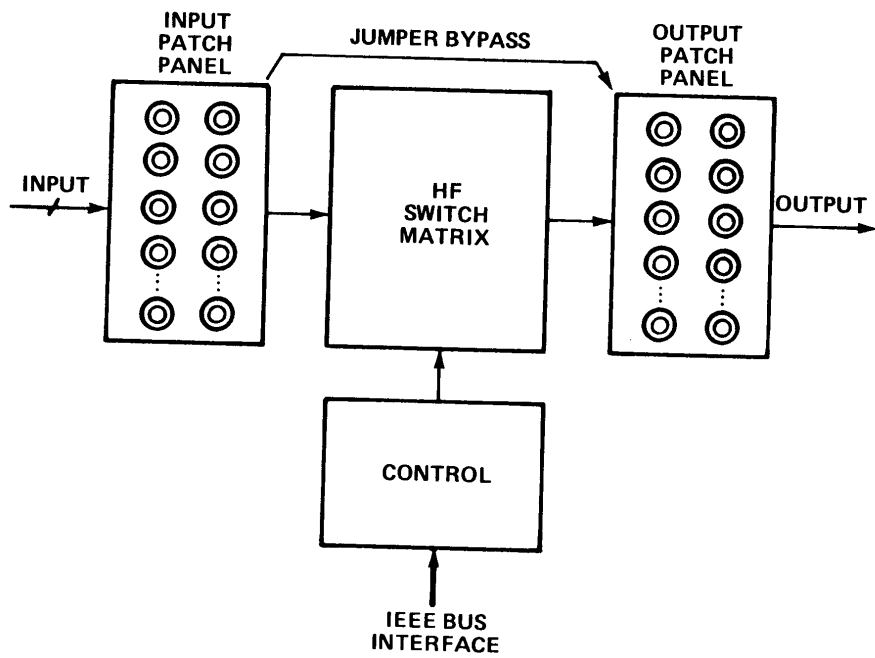
**FBIS—COLLECTION EQUIPMENT—
HF SWITCH MATRIX REQUIREMENTS**



- o FREQUENCY RANGE: 100KHZ TO 30MHZ
- o THREE SWITCH MATRIX SIZES TO ACCOMODATE ALL BUREAUS
 - 24 INPUTS X 80 OUTPUTS
 - 16 INPUTS X 56 OUTPUTS
 - 16 INPUTS X 24 OUTPUTS
- o CONTROLLED REMOTELY VIA AN IEEE 488 BUS OR MANUALLY VIA FRONT PANEL CONTROLS
- o MUST HAVE DIAGNOSTIC CAPABILITY
- o LOCAL/REMOTE CONTROL ON FRONT PANEL
- o MANUAL PATCH BYPASS

ESL
A Subsidiary of TRW

FBIS-HF SWITCH MATRIX BLOCK DIAGRAM



ESL
A Subsidiary of TRW

FBIS-HF COLLECTION EQUIPMENT-HF SWITCH MATRIX



- o RECOMMENDED VENDOR: OLEKTRON (SUBCONTRACT)
- o HAS BUILT SWITCH MATRICES THAT MEET THE REQUIREMENT
- o CAN BE CONTROLLED VIA A FRONT PANEL KEYPAD OR REMOTELY VIA AN IEEE 488 BUS
- o HAS DIAGNOSTIC CAPABILITY IN ORDER TO FAULT ISOLATE DOWN TO BOARD LEVEL
- o MANUAL PATCH BYPASS

Declassified and Approved For Release 2012/05/31 : CIA-RDP88-00218R000300030001-0

ESL

A Subsidiary of TRW

FBI—HF COLLECTION EQUIPMENT—HF RECEIVER REQUIREMENTS

TRW

- o FREQUENCY RANGE: 100KHZ TO 30MHz
- o 8KHZ IF BANDWIDTH
- o AM DETECTION
- o LOCAL/REMOTE FRONT PANEL CONTROL
- o IEEE 488 BUS INTERFACE
- o DIAGNOSTICS

Declassified and Approved For Release 2012/05/31 : CIA-RDP88-00218R000300030001-0

ESL
A Subsidiary of TRW

FBI—HF COLLECTION EQUIPMENT—HF RECEIVER

TRW

- o WJ 8718A
 - FREQUENCY RANGE: 5KHZ TO 30 MHZ IN 1 BAND
 - IF BANDWIDTHS: 16KHZ, 8KHZ
 - IEEE 488 BUS INTERFACE
 - BITE (DIAGNOSTICS)

- o WJ9040 SYSTEM (USING WJ 8626-4 RECEIVERS)
 - SAME PERFORMANCE FEATURES AS WJ8718A
 - RECEIVER REQUIRES ONLY 1/2 MOUNT

Declassified and Approved For Release 2012/05/31 : CIA-RDP88-00218R000300030001-0

ESL

A Subsidiary of TRW

FBIS—COLLECTION SUBSYSTEM—TV COLLECTION EQUIPMENT

TRW

- o VHF/UHF SWITCH MATRIX
- o VHF/UHF RECEIVER
- o UHF/VHF TV TUNER
- o TIME/DATE GENERATOR
- o VIDEO CASSETTE RECORDER
- o TV BASEBAND SELECTOR SWITCH
- o VIDEO MONITOR
- o HEADSETS

Declassified and Approved For Release 2012/05/31 : CIA-RDP88-00218R000300030001-0

ESL

A Subsidiary of TRW

FBIS-TV COLLECTION EQUIPMENT-VHF/UHF SWITCH MATRIX



- o FREQUENCY RANGE: 40 MHZ TO 1000 MHZ
- o 12 INPUTS X 12 OUTPUTS
- o CONTROLLED REMOTELY VIA AN IEEE 488 BUS OR MANUALLY VIA FRONT PANEL CONTROLS
- o MUST HAVE DIAGNOSTIC CAPABILITY
- o LOCAL/REMOTE CONTROL ON FRONT PANEL
- o MANUAL PATCH BYPASS

ESL

A Subsidiary of TRW

FBIS-TV COLLECTION EQUIPMENT-VHF/UHF SWITCH MATRIX



- o RECOMMENDED VENDOR: OLEKTROM (SUBCONTRACT)
- o HAS BUILT SWITCH MATRICES THAT MEET THE REQUIREMENT
- o CAN BE CONTROLLED VIA A FRONT PANEL KEYPAD OR REMOTELY VIA AN IEE 488 BUS
- o HAS DIAGNOSTIC CAPABILITY IN ORDER TO FAULT ISOLATE DOWN TO BOARD LEVEL
- o MANUAL PATCH BYPASS

Declassified and Approved For Release 2012/05/31 : CIA-RDP88-00218R000300030001-0

ESL
A Subsidiary of TRW

**FBIS-TV COLLECTION EQUIPMENT-
VHF/UHF RECEIVER REQUIREMENTS**

TRW

- 0 FREQUENCY RANGE: 40 MHZ TO 1000 MHZ
- 0 IF BANDWIDTH: 10KHZ, 50KHZ, 100KHZ,
- 0 AM/FM DETECTION
- 0 LOCAL/REMOTE FRONT PANEL CONTROL
- 0 IEEE 488 BUS INTERFACE
- 0 DIAGNOSTICS

Declassified and Approved For Release 2012/05/31 : CIA-RDP88-00218R000300030001-0

ESL
A Subsidiary of TRW

FBIS-TV COLLECTION EQUIPMENT-VHF/UHF RECEIVER



- o WJ 8617B
 - FREQUENCY RANGE: 20MHZ TO 1100MHZ
 - IF BANDWIDTH: 10KHZ, 50KHZ, 100KHZ
 - IEEE 488 BUS INTERFACE
 - BITE (DIAGNOSTICS)

- o WJ 9040 SYSTEM (USING WJ 8628-4 RECEIVER-FALL 1984)
 - SAME PERFORMANCE FEATURES AS WJ 8617B
 - RECEIVER REQUIRES ONLY 1/2 RACK MOUNT

ESL
A Subsidiary of TRW

**FBIS-TV COLLECTION EQUIPMENT-
VHF/UHF TV TUNER REQUIREMENTS**

TRW

- 0 ACCEPT ALL VHF/UHF CHANNELS
 - 0 CONVERT SELECTED CHANNEL TO TV BASEBAND
 - 0 MANUAL OR REMOTELY CONTROLLABLE
 - 0 ACCEPTS TIME/DATE GENERATOR INPUT
-
- 0 RECOMMENDED MANUFACTURER: PHILLIPS
 - 0 PART NUMBER: PI: 5560

Declassified and Approved For Release 2012/05/31 : CIA-RDP88-00218R000300030001-0

ESL
A Subsidiary of TRW

**FBIS-TV COLLECTION EQUIPMENT-
TIME/DATE CHARACTER GENERATOR**

TRW

- o PROVIDE TIME AND DATE INFORMATION TO THE TV TUNER
- o PROVIDE INFORMATION IN ALL THREE TV FORMATS
- o RECOMMENDED MANUFACTURER: PANASONIC
- o PART NUMBER: WJ 810 SERIES

Declassified and Approved For Release 2012/05/31 : CIA-RDP88-00218R000300030001-0

ESL

A Subsidiary of TRW

FBIS-TV COLLECTION EQUIPMENT -VCR REQUIREMENTS



- o REMOTELY CONTROLLABLE
CHANNEL SELECTION
RECORD ON/OFF

- o RECORD AND PLAYBACK IN THREE FORMATS
NTSC
PAL
SECAM

- o TIME/DATE ANNOTATION

- o END OF TAPE SENSING FOR AUTOMATIC SEQUENCING

Declassified and Approved For Release 2012/05/31 : CIA-RDP88-00218R000300030001-0

ESL
A Subsidiary of TRW

FBIS-TV COLLECTION EQUIPMENT-VCR

TRW

- 0 RECOMMENDED SUPPLIER SONY
- 0 MODEL NUMBER: 5630
- 0 3/4 INCH TAPE MODEL
- 0 2 HOUR RECORDING
- 0 RECORD AND PLAYBACK AT BASEBAND
- 0 AUTOMATIC POWER AND FREQUENCY SENSING
- 0 END OF TAPE SENSING FOR AUTOMATIC SEQUENCING
- 0 REMOTELY CONTROLLED
- 0 INDUSTRIAL

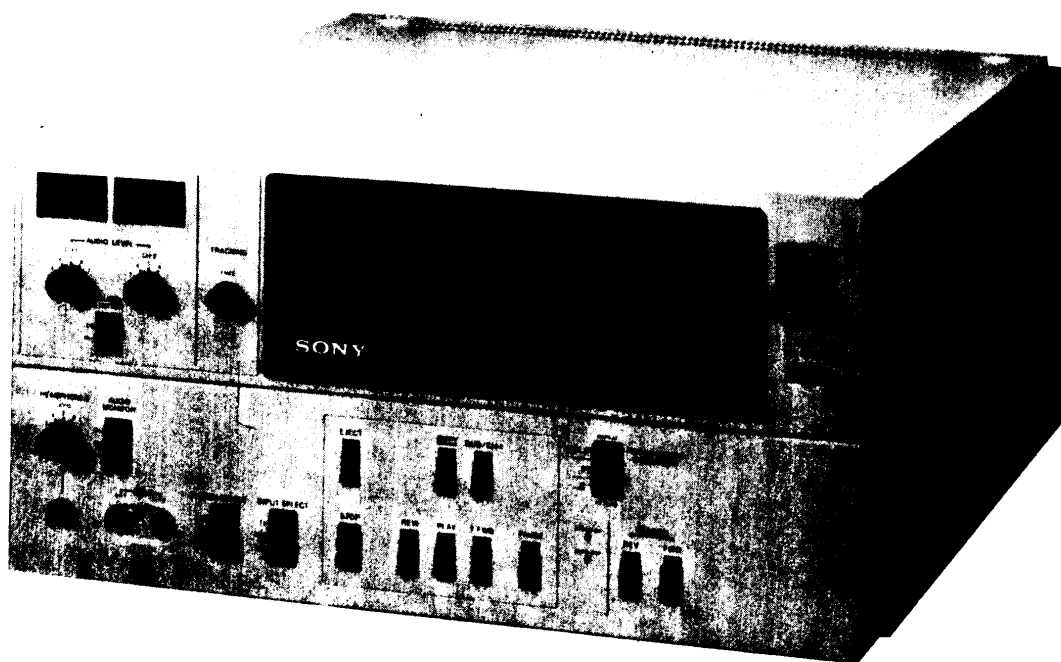
Declassified and Approved For Release 2012/05/31 : CIA-RDP88-00218R000300030001-0

Declassified and Approved For Release 2012/05/31 : CIA-RDP88-00218R000300030001-0

ESL
A Subsidiary of TRW

FBIS-TV COLLECTION EQUIPMENT—SONY 5630 VCR

TRW



SV00007-14

Declassified and Approved For Release 2012/05/31 : CIA-RDP88-00218R000300030001-0

ESL

A Subsidiary of TRW

FBI-TV COLLECTION EQUIPMENT-VIDEO SWITCH MATRIX



- o 12 INPUT BY 1 OUTPUT MATRIX
- o FREQUENCY RANGE: 20HZ TO 8MHZ
- o MANUALLY CONTROLLED
- o RECOMMENDED VENDOR: DYNAIR
- o MODEL NUMBER: SERIES 1600
- o 16 x 1 SWITCH MATRIX

Declassified and Approved For Release 2012/05/31 : CIA-RDP88-00218R000300030001-0

ESL
A Subsidiary of TRW

**FBIS-TV COLLECTION EQUIPMENT-
VIDEO MONITOR REQUIREMENTS**

TRW

- o COLOR
- o ACCEPTS ALL THREE FORMATS
- o RECOMMENDED MANUFACTURER: PANASONIC
- o MODEL NUMBER CT2000M

Declassified and Approved For Release 2012/05/31 : CIA-RDP88-00218R000300030001-0

Declassified and Approved For Release 2012/05/31 : CIA-RDP88-00218R000300030001-0

ESL
A Subsidiary of TRW

**FBIS-COLLECTION SUBSYSTEM -
AUTOMATED CRUISING EQUIPMENT**

TRW

- 0 PRECONDITIONER
- 0 SPECTRUM ANALYZER
- 0 CONTROLLER
- 0 H. F. RECEIVER
- 0 VHF/UHF RECEIVER
- 0 CASSETTE RECORDER
- 0 HEADSETS

Declassified and Approved For Release 2012/05/31 : CIA-RDP88-00218R000300030001-0

ESL
A Subsidiary of TRW

FBIS-AUTOMATED CRUISING EQUIPMENT-PRECONDITIONER



- o FREQUENCY RANGE: 100KHZ TO 1000MHZ

- o BROADCAST BANDPASS FILTERS
 - LOWBAND FILTER
 - MEDIUM BAND FILTER
 - SHORT WAVE FILTER

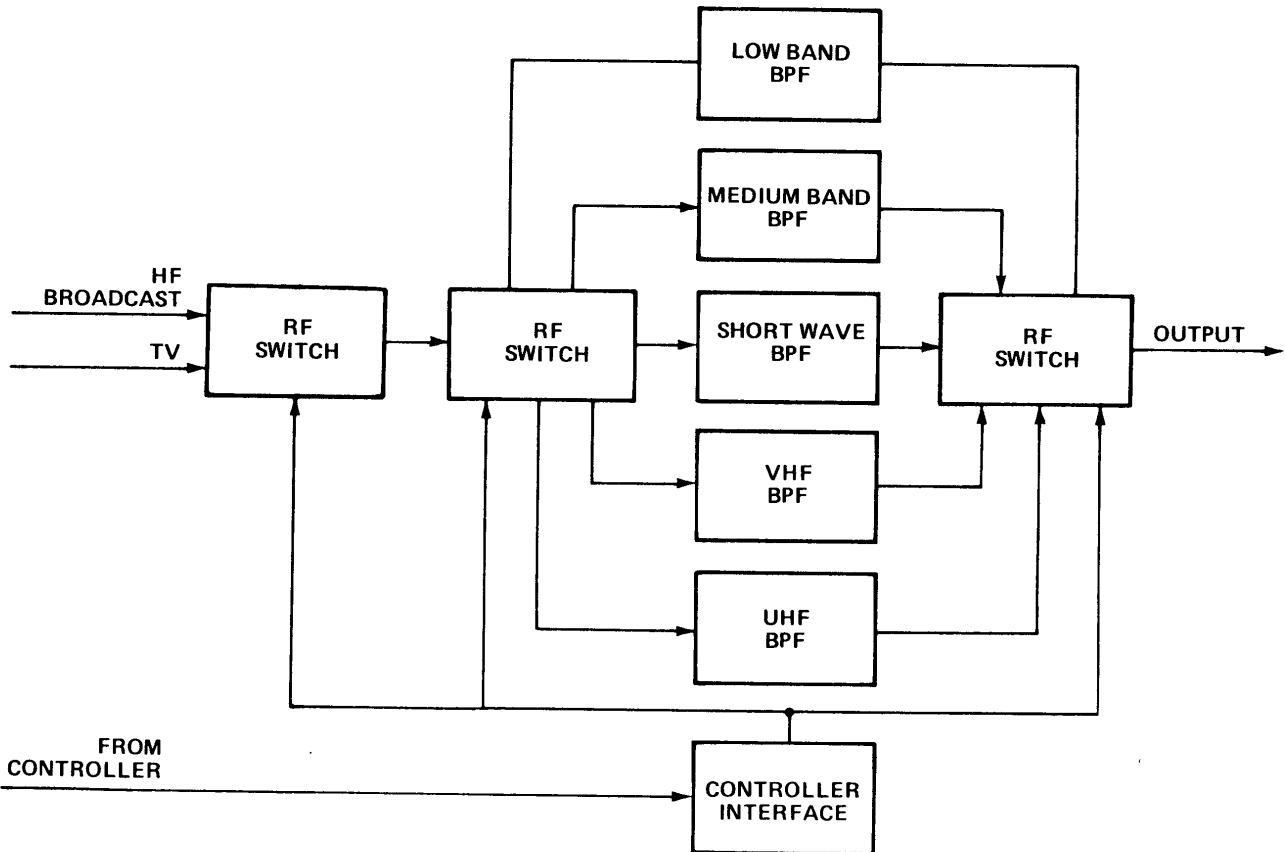
- o TV FILTERS
 - VHF FILTER
 - UHF FILTER

- o FILTERS REMOTELY SELECTABLE

- o CUSTOM UNIT REQUIRED

ESL
A Subsidiary of TRW

FBIS-PRECONDITIONER BLOCK DIAGRAM



SV00007-2

ESL

A Subsidiary of TRW

FBIS—AUTOMATED CRUISING EQUIPMENT—SPECTRUM ANALYZER



- o FREQUENCY RANGE: 100KHZ TO 1000MHZ

- o IEEE 488 BUS CONTROLLED

- o SELECTABLE:
 - RESOLUTION BANDWIDTH
 - START/STOP FREQUENCY
 - REFERENCE LEVEL

- o OUTPUT DISPLAY DATA (1024 POINTS)

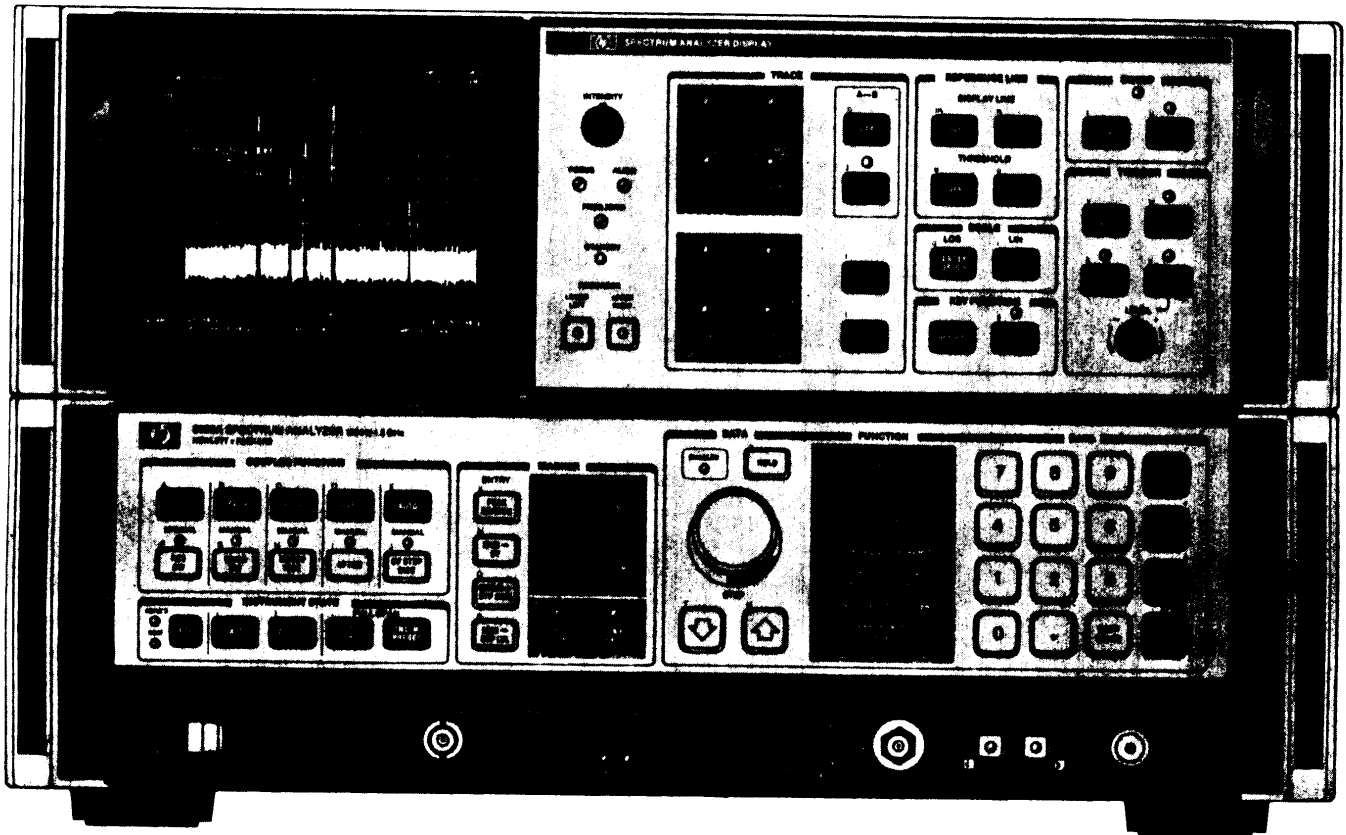
- o RECOMMENDED MANUFACTURER: HEWLETT PACKARD

- o MODEL NUMBER: HP 8568A

ESL
A Subsidiary of TRW

**FBIS—AUTOMATED CRUISING EQUIPMENT—
SPECTRUM ANALYZER FRONT PANEL**

TRW

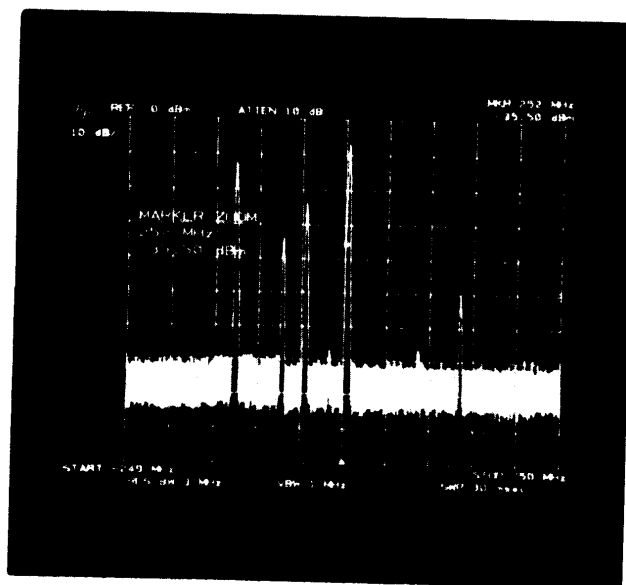


SV00007-11

Declassified and Approved For Release 2012/05/31 : CIA-RDP88-00218R000300030001-0

ESL
A Subsidiary of TRW

**FBIS—AUTOMATED CRUISING EQUIPMENT—
SPECTRUM ANALYZER DISPLAY**



SV00007-13

Declassified and Approved For Release 2012/05/31 : CIA-RDP88-00218R000300030001-0

Declassified and Approved For Release 2012/05/31 : CIA-RDP88-00218R000300030001-0

ESL
A Subsidiary of TRW

**FBIS—AUTOMATED CRUISING EQUIPMENT—
CONTROLLER REQUIREMENTS**



-
- o CRT DISPLAY

 - o IEEE 488 (HPiB) BUS INTERFACE

 - o 2 MB OF MEMORY STORAGE

Declassified and Approved For Release 2012/05/31 : CIA-RDP88-00218R000300030001-0

Declassified and Approved For Release 2012/05/31 : CIA-RDP88-00218R000300030001-0

ESL

A Subsidiary of TRW

FBIS-AUTOMATED CRUISING EQUIPMENT-CONTROLLER

TRW

o COMPUTER-RECOMMENDED MANUFACTURER: IBM

o MODEL NUMBER: PC-AT MODEL 99

Declassified and Approved For Release 2012/05/31 : CIA-RDP88-00218R000300030001-0

Declassified and Approved For Release 2012/05/31 : CIA-RDP88-00218R000300030001-0

ESL
A Subsidiary of TRW

**FBIS—AUTOMATED CRUISING EQUIPMENT—
RECEIVER REQUIREMENTS**

TRW

- o HF RECEIVER: SAME AS FOR HF COLLECTION

- o VHF/UHF RECEIVER: SAME AS FOR TV COLLECTION

Declassified and Approved For Release 2012/05/31 : CIA-RDP88-00218R000300030001-0

ESL

A Subsidiary of TRW **FBI**-AUTOMATED CRUISING EQUIPMENT-CASSETTE RECORDER



- 0 SINGLE CHANNEL AUDIO RECORDING
- 0 FREQUENCY RESPONSE: 50HZ TO 8 KHZ
- 0 ACCEPT IRIG E TIME CODE
- 0 INDUSTRIAL QUALITY

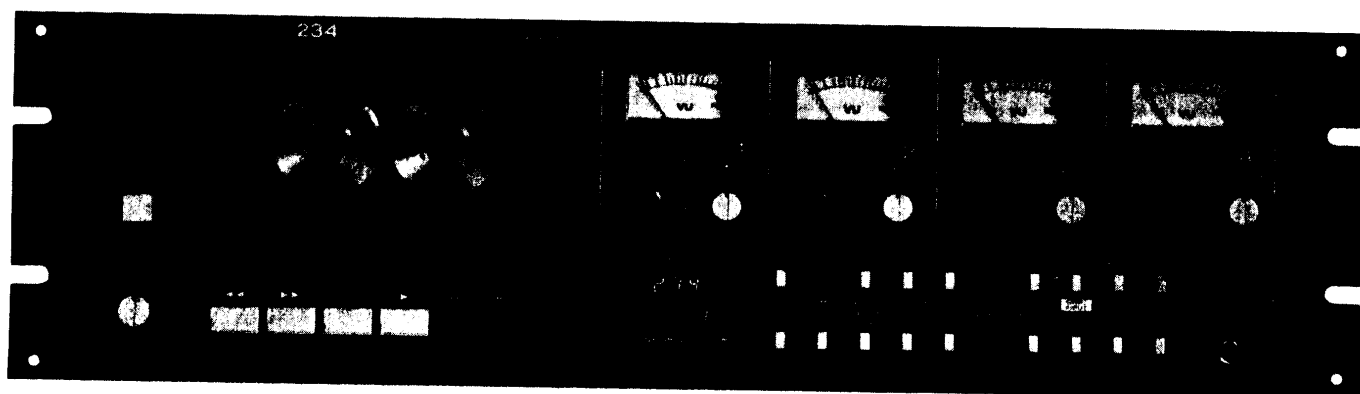
- 0 RECOMMENDED MANUFACTURER: TASCAM
- 0 MODEL NUMBER: 133B

Declassified and Approved For Release 2012/05/31 : CIA-RDP88-00218R000300030001-0

ESL
A Subsidiary of TRW

**FBIS—AUTOMATED CRUISING EQUIPMENT—
TASCAM 133B RECORDER**

TRW



SV00007-10

Declassified and Approved For Release 2012/05/31 : CIA-RDP88-00218R000300030001-0

Declassified and Approved For Release 2012/05/31 : CIA-RDP88-00218R000300030001-0

ESL

A Subsidiary of TRW

FBIS-COLLECTION SUBSYSTEM-RECORDING EQUIPMENT

TRW

-
- o AUDIO DISTRIBUTION UNIT
 - o ARCHIVE RECORDER
 - o CASSETTE RECORDER
 - o RECORDER INTERFACE
 - o MONITOR SWITCH
 - o TIME CODE GENERATOR
 - o TIME CODE DISTRIBUTION
 - o HEADSETS

Declassified and Approved For Release 2012/05/31 : CIA-RDP88-00218R000300030001-0

Declassified and Approved For Release 2012/05/31 : CIA-RDP88-00218R000300030001-0

ESL

A Subsidiary of TRW

FBIS-RECORDING EQUIPMENT-AUDIO DISTRIBUTION UNIT

TRW

- o PROVIDE 80 CHANNELS OF 2-WAY AUDIO DISTRIBUTION

- o 600 OHM BALANCED INTERFACE

- o RECOMMENDED MANUFACTURER: DYNAIR

- o PART NUMBER: MADE UP OF AD5370B DISTRIBUTION AMPLIFIERS

Declassified and Approved For Release 2012/05/31 : CIA-RDP88-00218R000300030001-0

Declassified and Approved For Release 2012/05/31 : CIA-RDP88-00218R000300030001-0

ESL
A Subsidiary of TRW

**FBIS—RECORDING EQUIPMENT—
ARCHIVE RECORDER REQUIREMENTS**

TRW

- o PROVIDE UP TO 80 CHANNELS OF RECORDING
- o PROVIDE FOR 24 HOURS OF RECORDING
- o PROVIDE IRIG E TIME CODE ANNOTATION
- o PROVIDE TAPE SEARCH CAPABILITY
- o PROVIDE UP TO 80 CHANNELS OF PLAYBACK

Declassified and Approved For Release 2012/05/31 : CIA-RDP88-00218R000300030001-0

ESL

A Subsidiary of TRW

FBIS-RECORDING EQUIPMENT-ARCHIVE RECORDER

TRW

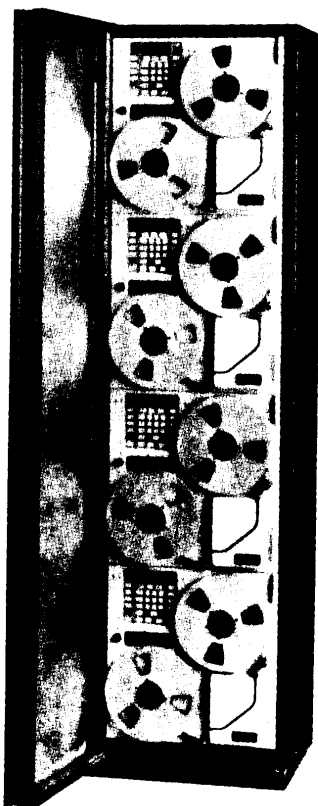
- o RECOMMENDED MANUFACTURER: MAGNASYNC/MOVIOLA
- o MODEL NUMBER: SPECIALIST
- o PROVIDES 25.6 HOURS OF RECORDING PER REEL
- o PROVIDES FOR AUTOMATIC SEQUENCING
- o FREQUENCY RESPONSE: 300HZ TO 3KHZ

Declassified and Approved For Release 2012/05/31 : CIA-RDP88-00218R000300030001-0

ESL
A Subsidiary of TRW

**FBIS-RECORDING EQUIPMENT-
MAGNASYNC SPECIALIST RECORDER**

TRW



SV00007-12

Declassified and Approved For Release 2012/05/31 : CIA-RDP88-00218R000300030001-0

ESL
A Subsidiary of TRW

**FBIS-RECORDING EQUIPMENT-
CASSETTE RECORDER REQUIREMENTS**

TRW

- 0 SINGLE CHANNEL AUDIO RECORDING
- 0 FREQUENCY RESPONSE: 50 HZ TO 8 KHZ
- 0 ACCEPT IRIG E TIME CODE
- 0 REMOTELY CONTROLLABLE
- 0 INDUSTRIAL QUALITY
- 0 RECOMMENDED MANUFACTURER: TASCAM
- 0 MODEL NUMBER: 133B

ESL
A Subsidiary of TRW

**FBIS-RECORDING EQUIPMENT-
RECORDER INTERFACE REQUIREMENTS**

TRW

- o INTERFACE WITH THE IEEE 488 BUS
- o PROVIDE UP TO 80 LATCHED PARALLEL TTL OUTPUTS
- o SELF CONTAINED CHASSIS
- o RECOMMENDED MANUFACTURER: ICS ELECTRONICS CORPORATION
- o MODEL NUMBER: 4833
- o PROVIDES UP TO 52 OUTPUTS PER UNIT

Declassified and Approved For Release 2012/05/31 : CIA-RDP88-00218R000300030001-0

ESL
A Subsidiary of TRW

**FBIS-RECORDING EQUIPMENT-
MONITOR SWITCH MATRIX REQUIREMENTS**

TRW

- o FREQUENCY RANGE: 50HZ TO 8KHZ
- o 80 INPUTS X 3 OUTPUTS
- o MANUALLY CONTROLLED
- o RECOMMENDED MANUFACTURER: DYNAIR
- o PART NUMBER: SYSTEM 21

Declassified and Approved For Release 2012/05/31 : CIA-RDP88-00218R000300030001-0

ESL
A Subsidiary of TRW

**FBI—RECORDING EQUIPMENT—
TIME CODE GENERATOR REQUIREMENTS**

TRW

- o GENERATE A MODULATED IRIG E TIME CODE
- o DAYS, HOURS, MINUTES SECONDS
- o INITIAL CLOCK START TIME PRESETTABLE FROM FRONT PANEL
- o FRONT PANEL TIME DISPLAY
- o RECOMMENDED MANUFACTURER: AUSTRON
- o MODEL NUMBER: 8120 (GENERATOR)
- o MODEL NUMBER: 8132 (READER)

Declassified and Approved For Release 2012/05/31 : CIA-RDP88-00218R000300030001-0

ESL
A Subsidiary of TRW

**FBIS-RECORDING EQUIPMENT-
TIME CODE DISTRIBUTION REQUIREMENTS**

TRW

- o FREQUENCY RESPONSE: 20HZ TO 8KHZ

- o 1 INPUT TO 16 OUTPUTS

- o RECOMMENDED MANUFACTURER: DYNAIR

- o MODEL NUMBER: COLLECTION OF AD 5370B DISTRIBUTION AMPLIFIERS

Declassified and Approved For Release 2012/05/31 : CIA-RDP88-00218R000300030001-0

Declassified and Approved For Release 2012/05/31 : CIA-RDP88-00218R000300030001-0

ESL
A Subsidiary of TRW

**FBI—COLLECTION SUBSYSTEM—
COLLECTION CONTROLLER REQUIREMENTS**

TRW

-
- o CRT DISPLAY

 - o IEEE 488 BUS INTERFACE (ABLE TO HANDLE 7 SEPARATE BUSES)

 - o PARALLEL OUTPUT

 - o 2 MB OF MEMORY STORAGE

Declassified and Approved For Release 2012/05/31 : CIA-RDP88-00218R000300030001-0

Declassified and Approved For Release 2012/05/31 : CIA-RDP88-00218R000300030001-0

ESL

A Subsidiary of TRW

FBIS-COLLECTION SUBSYSTEM-COLLECTION CONTROLLER

TRW

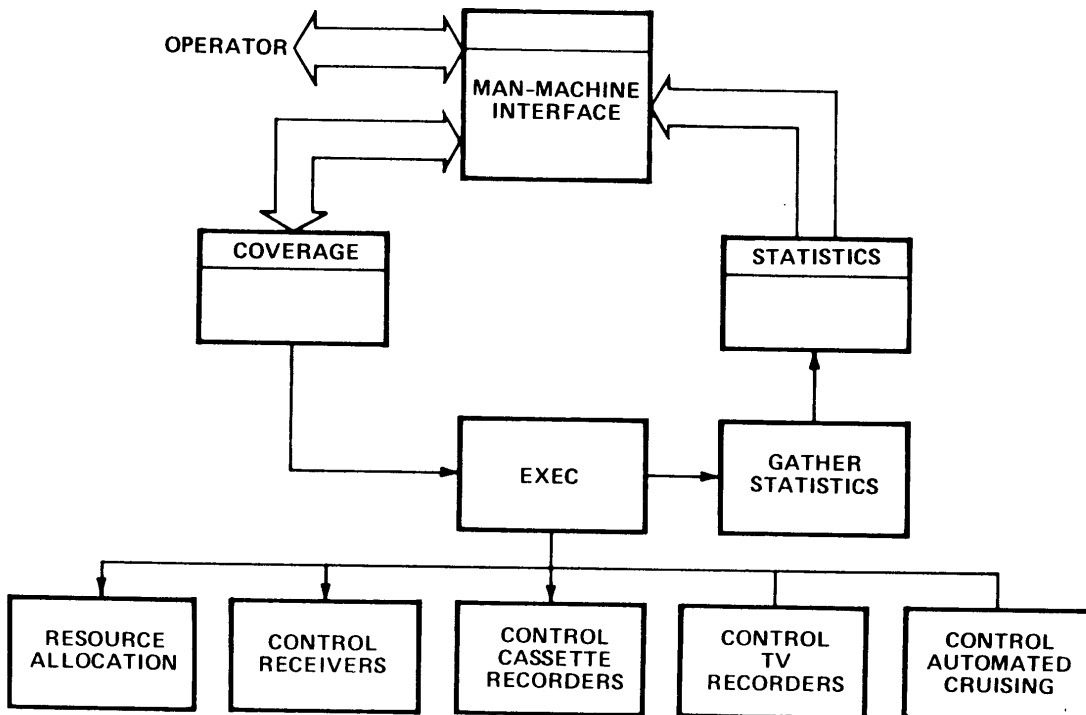
o COMPUTER-RECOMMENDED MANUFACTURER: IBM

o MODEL NUMBER: PC-AT MODEL 99

Declassified and Approved For Release 2012/05/31 : CIA-RDP88-00218R000300030001-0

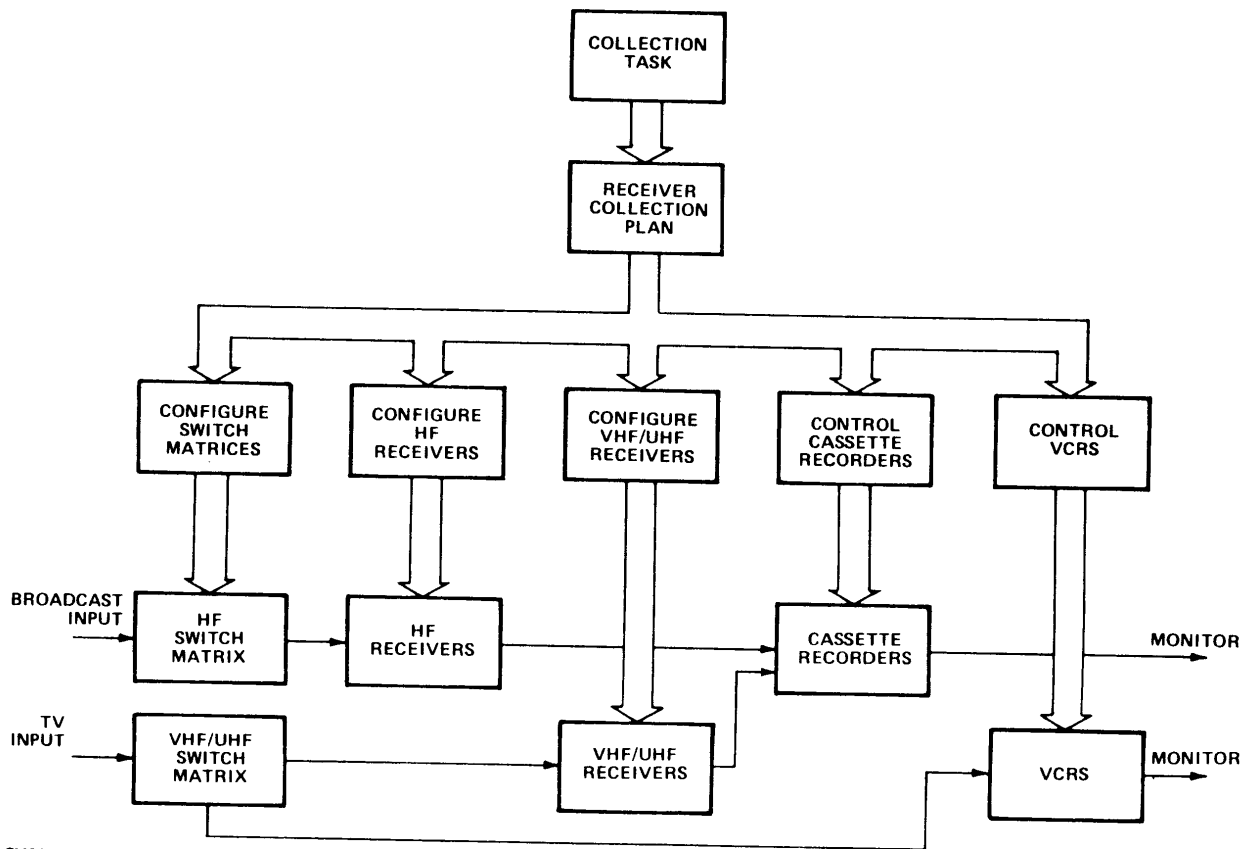
ESL
A Subsidiary of TRW

FBIS-COLLECTION SUBSYSTEM SOFTWARE HIERARCHY



ESL
A Subsidiary of TRW

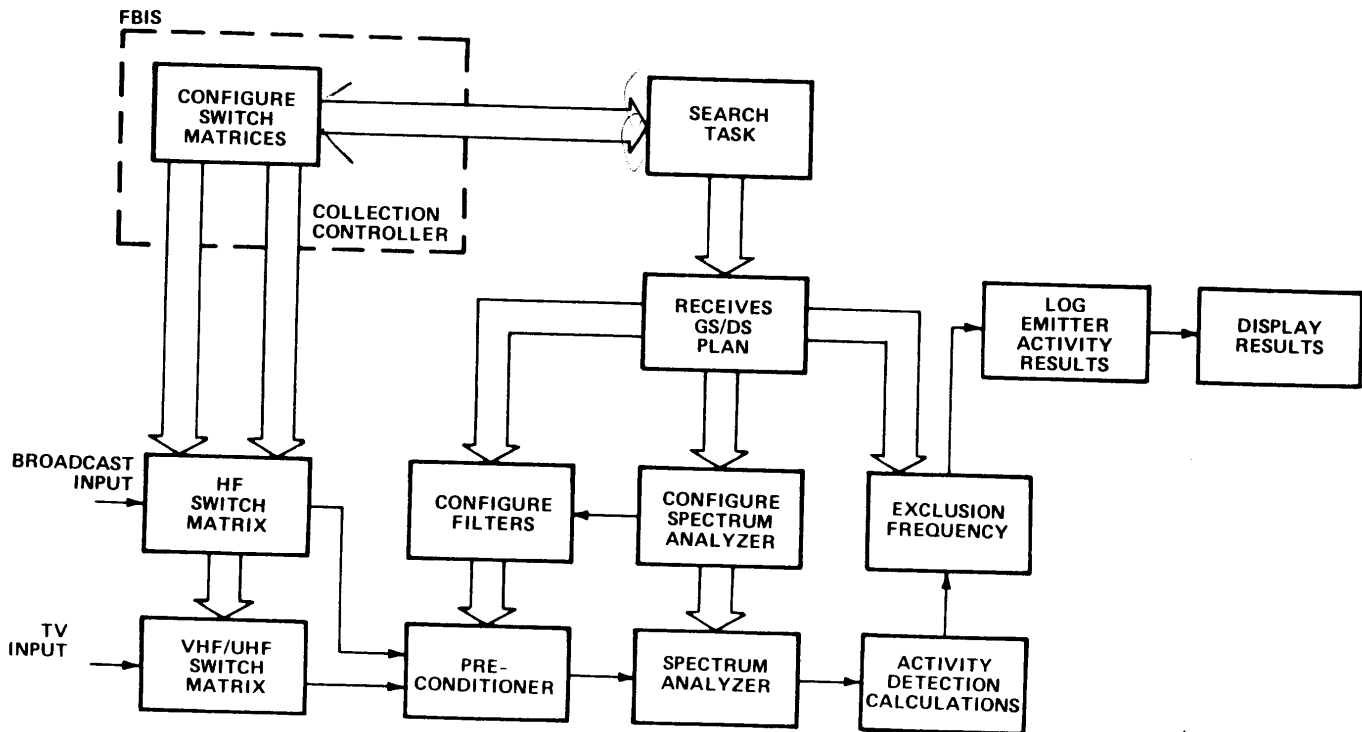
FBIS-COLLECTION SUBSYSTEM DATA FLOW



SV00007-17

ESL
A Subsidiary of TRW

FBIS—AUTOMATED CRUISING DATA FLOW



ESL
A Subsidiary of TRW

FBIS-OPS CONCEPT-HF COLLECTION SCENARIO-1



- 0 BOARDMAN FILE SET-UP
 - 0 USES THE BUREAU COVERAGE SCHEDULE AS COLLECTION BASIS (PREPARED BY M.O.D., PERHAPS MODIFIED BY BUREAU CHIEF)
 - 0 CONTROLLED BY MONITORING ASSIGNMENT SCHEDULES (PREPARED BY DEPUTY BUREAU CHIEF, PERHAPS MODIFIED BY MONITOR SECTION SUPERVISOR)
- 0 COLLECTION OPERATION
 - 0 COLLECTION CONTROLLER SORTS THE HF COVERAGE SCHEDULE BY START TIMES
 - 0 IF MONITORED LIVE, COMPUTER MATCHES EACH BROADCAST AGAINST LIST OF OPERATOR ASSIGNMENTS
 - 0 COMPUTER SELECTS RECEIVER (EACH RECEIVER HAS A DEDICATED CASSETTE RECORDER)
 - 0 OPERATOR LOADS THE RECORDERS WITH TAPE AND LABELS THEM WITH A TAPE NUMBER
 - 0 OPERATOR ENTERS RECEIVER AND ASSOCIATED TAPE NUMBER INTO SYSTEM
 - 0 COMPUTER TUNES AND SETS-UP RECEIVER
 - 0 COMPUTER STARTS RECORDER PRIOR TO BROADCAST
 - 0 COMPUTER STOPS RECORDER AFTER THE SCHEDULED BROADCAST
 - 0 OPERATOR IS NOTIFIED THAT THE BROADCAST HAS BEEN COLLECTED
 - 0 OEPRAOTR DISSEMINATES TAPE TO MONITOR

ESL
A Subsidiary of TRW

FBIS-OPS CONCEPT-HF COLLECTION SCENARIO-2



o OPEN SPEAKER WATCH

OPERATOR NOTIFIES COMPUTER OF NEED FOR CONTINUOUS MONITORING

COMPUTER DEDICATES A RECEIVER AND RECORDER TO OPEN WATCH

COMPUTER NOTIFIES OPERATOR OF NEED TO CHANGE TAPES BEFORE TAPE
RUNS OUT

MONITOR CAN REQUEST A TAPE CHANGE AT ANY TIME IN ORDER TO PERFORM
A TRANSLATION

ESL

A Subsidiary of TRW

FBIS-OPS CONCEPT-HF COLLECTION BOARDMAN MENUS



- 0 SET-UP COVERAGE SCHEDULE IS AUTOMATIC FROM SOFTCOPY VERSION
- 0 MODIFY COVERAGE SCHEDULE
 - ALLOWS ADDING TO COVERAGE SCHEDULE DURING CRISIS
 - CAN ADD STATIONS UNDERGOING CRUISER'S EVALUATION
 - PERMITS SKIPPING BROADCASTS IN SCHEDULE
 - ALLOWS DUPLICATE COLLECTIONS
- 0 SET-UP OF MONITORS' ASSIGNMENT SCHEDULES CAN BE MADE AUTOMATIC
- 0 MODIFY ASSIGNMENT SCHEDULES
 - PERFORM CHANGING PLANNED SCHEDULES DURING A CRISIS
 - ALLOWS DAILY MODIFICATION TO MONITORING ASSIGNMENTS TO COMPENSATE FOR SICKNESS OR LATENESS
- 0 CONFIGURE EQUIPMENT
 - ALTERS DESCRIPTION OF EQUIPMENT TO COMPUTER
 - ALLOWS IDENTIFICATION OF EQUIPMENT OFF-LINE DUE TO MAINTENANCE
- 0 COLLECTION INTERACTION
 - SHOWS STATUS OF ALL EQUIPMENT (ON-LINE/OFF-LINE)
 - PERMITS OPERATOR TO HANDLE PROBLEMS (E.G. REPAIR RECEIVER)
- 0 MAINTENANCE SOFTWARE WILL SUPPORT THE DIAGNOSING AND SERVICING OF EQUIPMENT

ESL
A Subsidiary of TRW

FBIS-HF COLLECTION CONFIGURATION FILE



RECVR	ANT	STATION	FREQUENCY	START TIME	STOP TIME	RECORDER	TAPE NUMBER
1	7	AAAA	11111	1100	1300	1	1111
	15	JJJJ	12345	1330	1400	1	1111
	23	KKKK	67891	1500	1600	1	1111
	45	LLLL	45671	1600	2300	1	1111
2	4	BBBB	22222	0900	1000	2	5555
3	5	CCCC	33333	0600	0615	3	7777
4	6	DDDD	44444	.	.	4	9999
5	8	EEEE	55555	.	.	5	4444
6	4	FFFF	66666	.	.	6	6666
7	12	GGGG	77777	.	.	7	3333
8	31	HHHH	88888
9	9	IIII	99999
.
.
.

ESL
A Subsidiary of TRW

FBIS-OPS CONCEPT-TV COLLECTION SCENARIO

TRW

- o OPERATION IS SIMILAR TO HF BROADCAST COLLECTION
 - OPERATOR CAN SET-UP THE VHF/UHF RECEIVERS IN THE SAME WAY
 - OPERATOR CAN ALSO SET-UP VCR'S
 - OPERATOR CAN MONITOR BOTH TV AUDIO AND AUDIO/VIDEO
- o OPERATOR IS AFFORDED SAME FACILITIES AS IN HF BROADCAST COLLECTION TO MODIFY COVERAGE SCHEDULE AND ADJUST MONITORING ASSIGNMENTS
- o SOFTWARE IS USED TO CREATE AND MAINTAIN A TV COLLECTION LOG DATA BASE

ESL
A Subsidiary of TRW

FBIS-TV COLLECTION CONFIGURATION FILE



RECVR	ANT	CHANNEL	FREQUENCY	START TIME	STOP TIME	RECORDER	TAPE NUMBER
1	7	2	11111	1100	1300	1	1111
	15	54	12345	1330	1400	1	1111
	23	7	67891	1500	1600	1	1111
	45	11	45671	1600	2300	1	1111
2	4	60	22222	0900	1000	2	5555
3	5	44	33333	0600	0615	3	7777
4	6	13	44444	.	.	4	9999
5	8	4	55555	.	.	5	4444
6	4	14	66666	.	.	6	6666
7	12	5	77777	.	.	7	3333
8	31	9	88888
9	9	20	99999
.
.
.

Declassified and Approved For Release 2012/05/31 : CIA-RDP88-00218R000300030001-0

ESL
A Subsidiary of TRW

FBIS-OPS CONCEPT-AUTOMATED CRUISING

TRW

- o GENERAL SEARCH SCENARIO
- o DIRECTED SEARCH SCENARIO
- o HF PROCESSING
- o TV AUDIO PROCESSING
- o CRUISING MENUS
- o CRUISING DISPLAYS

Declassified and Approved For Release 2012/05/31 : CIA-RDP88-00218R000300030001-0

ESL
A Subsidiary of TRW

FBIS—AUTOMATED CRUISING—GENERAL SEARCH SCENARIO

TRW

FOR HF BROADCAST ONLY

- 0 SELECT ANTENNA
- 0 SELECT BAND(S) OF INTEREST
- 0 DETECT SIGNALS ABOVE A THRESHOLD WITHIN THE BAND
- 0 REPEAT PROCESS FOR ALL ANTENNAS
- 0 LOG DATA FOR EACH SIGNAL AND FOR EACH ANTENNA
 - TIME OF OCCURRANCE
 - DURATION OF BROADCASTS (ACCUMULATED OCCURRANCES)
 - AMPLITUDE OF EACH SIGNAL
 - ANTENNA CONFIGURATION
 - CARRIER FREQUENCY

ESL

A Subsidiary of TRW

FBIS--AUTOMATED CRUISING--DIRECTED SEARCH SCENARIO

TRW

- 0 SELECT ANTENNA
- 0 SELECT SIGNALS OF INTEREST
- 0 DETECT SIGNALS ABOVE A THRESHOLD WITHIN THE BAND
- 0 REPEAT PROCESS FOR ALL ANTENNAS
- 0 LOG DATA FOR EACH SIGNAL AND FOR EACH ANTENNA
 - TIME OF OCCURRANCE
 - DURATION OF BRAODCAST (ACCUMULATED OCCURRANCES)
 - AMPLITUDE OF EACH SIGNAL
 - ANTENNA CONFIGURATION
 - CARRIER FREQUENCY

ESL
A Subsidiary of TRW

FBIS--AUTOMATED CRUISING--HF PROCESSING

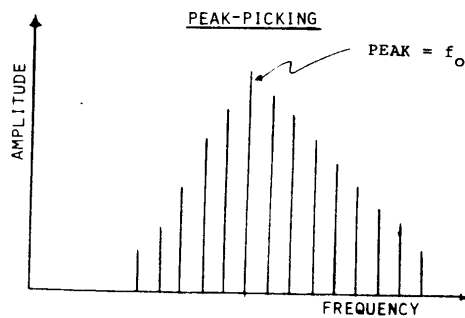
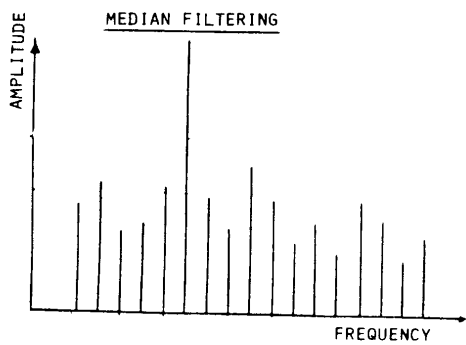
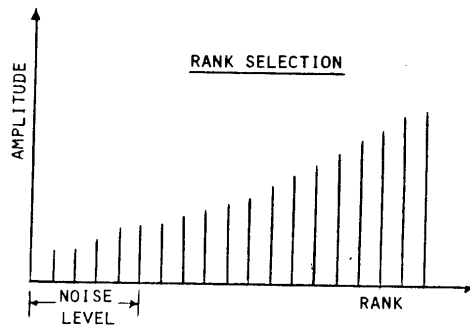
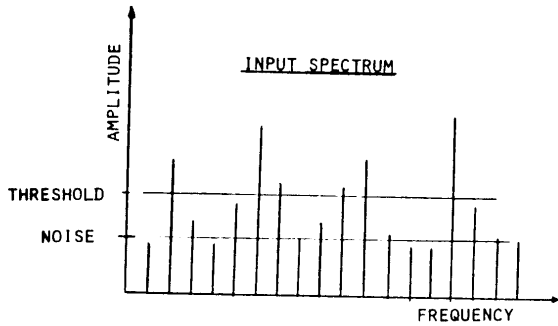
TRW

FOR EACH SCAN

- 0 USE A RANK-SELECTED NOISE LEVEL ESTIMATOR TO DETERMINE THE NOISE LEVEL AND TO SET THE THRESHOLD
- 0 CONSIDER ALL VALUES ABOVE THE THRESHOLD TO BE A SIGNAL OF INTEREST
- 0 PERFORM MEDIAN FILTERING TO ELIMINATE NOISE SPIKES
- 0 PERFORM SPECTRAL PEAK-PICKING TO IDENTIFY THE CENTER FREQUENCY OF EACH ACTIVE SIGNAL
- 0 DISCARD ALL SIGNALS NOT OF INTEREST

ESL
A Subsidiary of TRW

FBI—AUTOMATED CRUISING—HF PROCESSING DIAGRAM



ESL
A Subsidiary of TRW

FBIS—AUTOMATED CRUISING—TV AUDIO PROCESSING

TRW

FOR EACH SCAN

- 0 MEASURE THE NOISE LEVEL BETWEEN THE TV BANDS AND SET THE THRESHOLD
- 0 CONSIDER ALL VALUES ABOVE THE THRESHOLD HAVING THE PROPER TV BANDWIDTH TO BE A TV STATION
- 0 DISCARD ALL SIGNALS NOT OF INTEREST

Declassified and Approved For Release 2012/05/31 : CIA-RDP88-00218R000300030001-0

ESL
A Subsidiary of TRW

FBI—AUTOMATED CRUISING—TV/AUDIO SELECT MENU

TRW

1. HF BROADCAST

2. TELEVISION AUDIO

Declassified and Approved For Release 2012/05/31 : CIA-RDP88-00218R000300030001-0

Declassified and Approved For Release 2012/05/31 : CIA-RDP88-00218R000300030001-0

ESL
A Subsidiary of TRW

FBIS—AUTOMATED CRUISING—CRUISING MENU

TRW

1. PERFORM GENERAL SEARCH (HF BROADCAST ONLY)
2. PERFORM DIRECTED SEARCH
3. DISPLAY DAILY LOG
4. DISPLAY ACCUMULATED LOG

Declassified and Approved For Release 2012/05/31 : CIA-RDP88-00218R000300030001-0

Declassified and Approved For Release 2012/05/31 : CIA-RDP88-00218R000300030001-0

ESL

A Subsidiary of TRW **FBIS--AUTOMATED CRUISING--PERFORM GENERAL SEARCH MENU**



-
1. GENERAL SEARCH
 - A. SET CONFIGURATION PARAMETERS
 - B. RECALL CONFIGURATION FILES
 - C. GENERATE CONFIGURATION FILES
 - D. SET MASKING PARAMETERS
 - E. RUN GENERAL SEARCH

Declassified and Approved For Release 2012/05/31 : CIA-RDP88-00218R000300030001-0

Declassified and Approved For Release 2012/05/31 : CIA-RDP88-00218R000300030001-0

ESL

A Subsidiary of TRW

FBIS-AUTOMATED CRUISING-PERFORM DIRECTED SEARCH MENU



1. DIRECTED SEARCH

- A. SET CONFIGURATION PARAMETERS
- B. RECALL CONFIGURATION FILES
- C. GENERATE CONFIGURATION FILES
- D. RUN DIRECTED SEARCH

Declassified and Approved For Release 2012/05/31 : CIA-RDP88-00218R000300030001-0

ESL
A Subsidiary of TRW

FBIS--AUTOMATED CRUISING--CONFIGURATION FILE MENU



<u>FREQUENCY RANGE</u> <u>(KHZ)</u>	<u>(Y/N)</u>	<u>ANTENNA</u>	<u>(Y/N)</u>
148.5-283.5		1	
525-1606.5		2	
2300-2495		3	
3200-3400		4	
3900-4000		5	
4750-5060		6	
5950-6200		7	
7100-7300		8	
9500-9775		9	
11700-11975		10	
15100-15450		11	
17700-17950		12	
21450-21750		13	
25600-26100		14	

ESL

A Subsidiary of TRW

FBIS-AUTOMATED CRUISING-REPORTING LOG FILE MENU



1. THE CONTROLLER WILL LOG THE FOLLOWING DATA
 - 0 TIME OF OCCURANCE
 - 0 DURATION OF MESSAGE
 - 0 MAGNITUDE OF EACH SIGNAL
 - 0 ANTENNA CONFIGURATION INFORMATION (E.G. SIGNAL STRENGTH VS. ANTENNA)
 - 0 CENTER FREQUENCY OF EACH SIGNAL
2. THE CRUISER CAN PROVIDE ANNOTATIONS TO BE KEPT IN THE FILE BY SIGNAL
3. ASSUMES ONLY ONE STATION BROADCASTS ON A PARTICULAR FREQUENCY

ESL

A Subsidiary of TRW

FBIS-AUTOMATED CRUISING-MAGNITUDE VS FREQUENCY DISPLAY



FREQUENCY (KHZ)	MAGNITUDE (1-10)	ANTENNA	COMMENTS
-----	-----	-----	-----
155	5	1	
173	8	5	
236	7	3	
540	6	4	
882	9	2	
2300	4	5	
3380	5	7	
4825	10	6	
4930	7	9	
6015	8	8	
0	0	0	
0	0	0	
0	0	0	
0	0	0	
0	0	0	
0	0	0	
0	0	0	
0	0	0	
0	0	0	
0	0	0	

ESL
A Subsidiary of TRW

FBIS-CRUISE-DURATION VS FREQUENCY DISPLAY



FREQUENCY (KHZ)	DURATION	START TIME	STOP TIME
155	XXXXXXXXXXXXXXXXXXXX		
173	XXXXXXXXXXXXXXXXXXXX		
236	XXXXXXXXXXXX		
540	XXXXXXXXXXXXXXXXXXXX		
882	XXXXXXXXXXXXXXXXXXXX		
2300	XXXXXXXXXXXXXXXXXXXX		
3380	XXXXX		
4825	XXXXXXXXXXXXXXXXXXXX		
4930	XXXXXX		
6015	XXXXX	XXXXXX	XXXXX

ESL
A Subsidiary of TRW

FBIS—AUTOMATED CRUISING—RECORDING AND MONITORING



- o CRUISING RECORDERS SUPPORT EVALUATION OF NEW SOURCES FOR QUALITY ANALYSIS
- o EACH RECEIVER WILL HAVE ITS AUDIO OUTPUT ROUTED TO A TAPE RECORDER
- o AUTOMATIC TAPE RECORDING CAN BE INITIATED BY THE SUBSYSTEM CONTROLLER
- o INDIVIDUAL SIGNALS CAN BE MONITORED USING THE RECEIVERS
- o TAPE RECORDER OUTPUTS CAN BE MONITORED

ESL
A Subsidiary of TRW

FBIS-OPS CONCEPT-RECORDING



- o ARCHIVE RECORDER
 - RECORDER WILL OPERATE 24 HRS A DAY
 - RECORDER WILL HAVE A BACKUP
 - BACKUP RECORDER CAN ALSO SERVE AS THE PLAYBACK RECORDER
 - ACTIVE RECORDER WILL AUTOMATICALLY SEQUENCE TO BACKUP IN EVENT OF FAILURE
 - AUTOMATIC SEARCH WILL BE USED TO FIND BROADCAST OF INTEREST
 - BROADCAST CAN BE MONITORED USING THE MONITOR SWITCH AND HEADSET OR LOUDSPEAKER IF NECESSARY
 - CASSETTE RECORDER AVAILABLE FOR DUPLICATION OF BROADCAST
- o CASSETTE RECORDERS
 - NUMBER OF CASSETTE RECORDERS EQUALS THE NUMBER OF RECEIVERS
 - RECORDERS CONTROLLED BY COLLECTION CONTROLLER
 - RECORDER OUTPUTS CAN BE MONITORED WITH A HEADSET
- o TV CASSETTE RECORDERS
 - TV VIDEO CASSETTE RECORDERS ARE CONTROLLED BY COLLECTION CONTROLLER
 - TIME/DATE/CHANNEL ARE ANNOTATED IN VIDEO
 - ALL VCRS CAN BE MONITORED ONE-AT-A-TIME

Declassified and Approved For Release 2012/05/31 : CIA-RDP88-00218R000300030001-0

ESL
A Subsidiary of TRW

FBIS-RECORDING-AUDIO/VIDEO SELECT MENU

TRW

1. AUDIO RECORDING

2. VIDEO RECORDING

Declassified and Approved For Release 2012/05/31 : CIA-RDP88-00218R000300030001-0

ESL
A Subsidiary of TRW

FBIS-RECORDING-AUDIO CONFIGURATION FILE MENU 

TAPE NO.	SEL	CASSETTE RECORDER	RECORDING STATUS	START RECORD	STOP RECORDING	RECORD STATUS
1	A	1	COMPLETED	0900	0915	
	B		*	1000	1030	RECORD
	C		*	1100	1105	
	D		*	1200	1215	
2	A	2	COMPLETED	.	.	
	B		COMPLETED	.	.	
	C		COMPLETED	.	.	
	D		*	.	.	STOP
3	A	3	*			
	B		*			STOP
	C		*			
	D		*			
4		4	RECORDING			
5		5	*			
6		6	*			OFF LINE
7		7	COMPLETED			
8		8	*			
9		9	*			
.		.	.			
.		.	.			
.		.	.			

ESL
A Subsidiary of TRW

FBI-RECORDING-VIDEO CONFIGURATION FILE MENU



TAPE NO.	SEL	CASSETTE RECORDER	RECORDING STATUS	START RECORD	STOP RECORDING	RECORD STATUS
1	A	1	COMPLETED	0900	0915	
	B		*	1000	1030	RECORD
	C		*	1100	1105	
	D		*	1200	1215	
2	A	2	COMPLETED	.	.	
	B		COMPLETED	.	.	
	C		COMPLETED	.	.	
	D		*	.	.	STOP
3	A	3	*			
	B		*			
	C		*			STOP
	D		*			
4		4	RECORDING			
5		5	*			
6		6	*			OFF LINE
7		7	COMPLETED			
8		8	*			
9		9	*			
.		.	.			
.		.	.			
.		.	.			
.		.	.			

Declassified and Approved For Release 2012/05/31 : CIA-RDP88-00218R000300030001-0

ESL
A Subsidiary of TRW

FBIS-COLLECTION SUBSYSTEM-CONCLUSION

TRW

- o FLEXIBLE AND ADAPTABLE SYSTEM
- o RELIABLE UNITS
- o MAINTAINABLE
- o SOFTWARE CONFIGURABLE
- o EASY TO OPERATE

Declassified and Approved For Release 2012/05/31 : CIA-RDP88-00218R000300030001-0

ESL
A Subsidiary of TRW

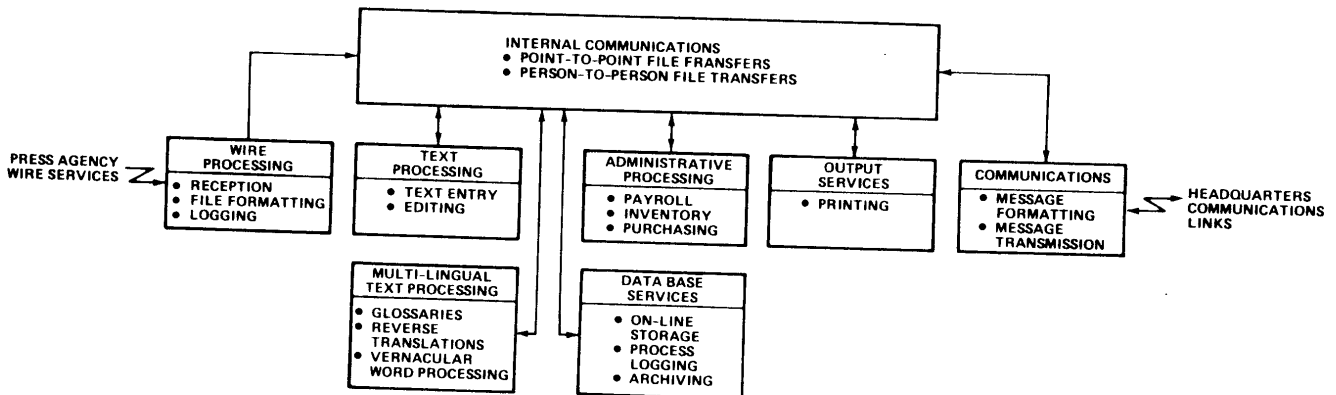
FBIS--SUBSYSTEM DESIGN HIGHLIGHTS



- 0 ONE IP/S DESIGN SATISFIES REQUIREMENTS OF ALL BUREAUS
- 0 MODULARITY PERMITS BUREAUS TO BE CONFIGURED ACCORDING TO SIZE
- 0 THE DESIGN CAN BE IMPLEMENTED WITH VERY FEW RISKS
- 0 HARDWARE COST IS MUCH LESS THAN ALTERNATIVE APPROACHES
- 0 DESIGNED FOR A 10 YEAR LIFETIME -- INCLUDING GROWTH
- 0 MULTI-LINGUAL TEXT PROCESSING IS INTEGRATED INTO MONITORS' W/S
- 0 DESIGN IS VERY OPERABLE -- SIMPLE TO USE
- 0 EXTENSIVE EMPLOYMENT OF HARDWARE AND DATA REDUNDANCY
GUARANTEES AVAILABILITY
- 0 MAINTENANCE PROCEDURES ARE SIMPLE AND STRAIGHTFORWARD --
HARDWARE FAILURES ARE EASY TO RECOVER FROM

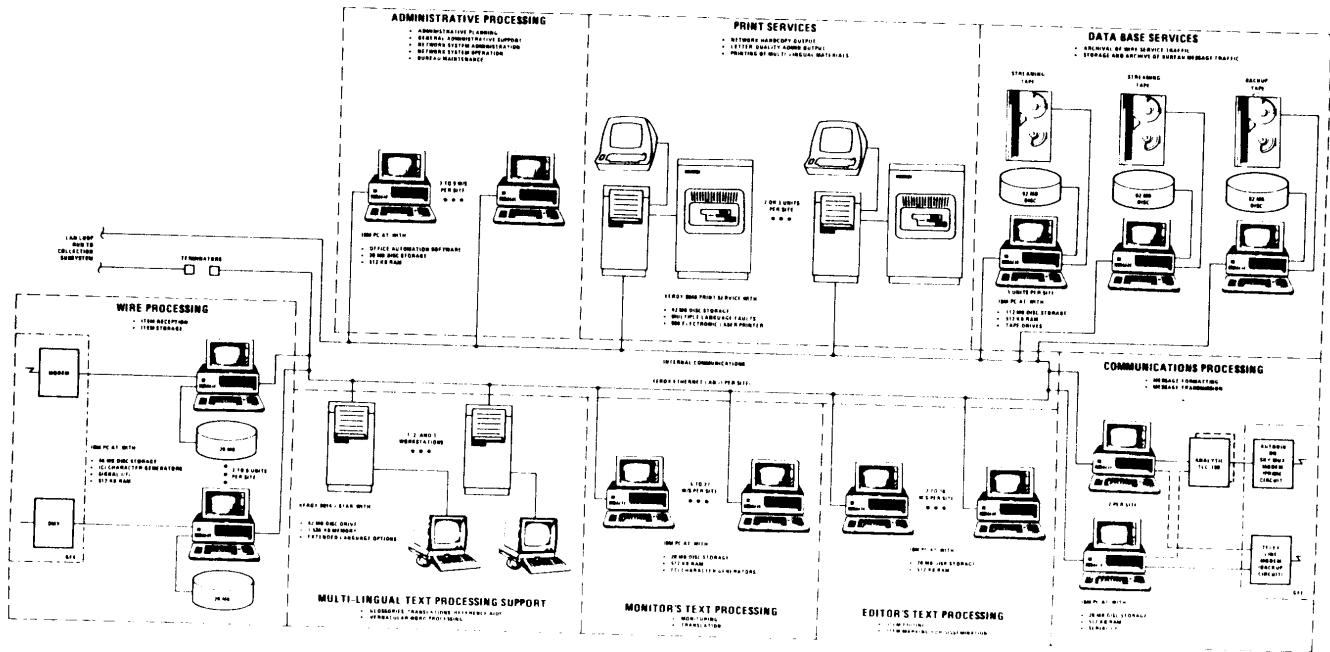
ESL
A Subsidiary of TRW

FBI—INFORMATION PROCESSING SUBSYSTEM FUNCTIONAL BLOCK DIAGRAM



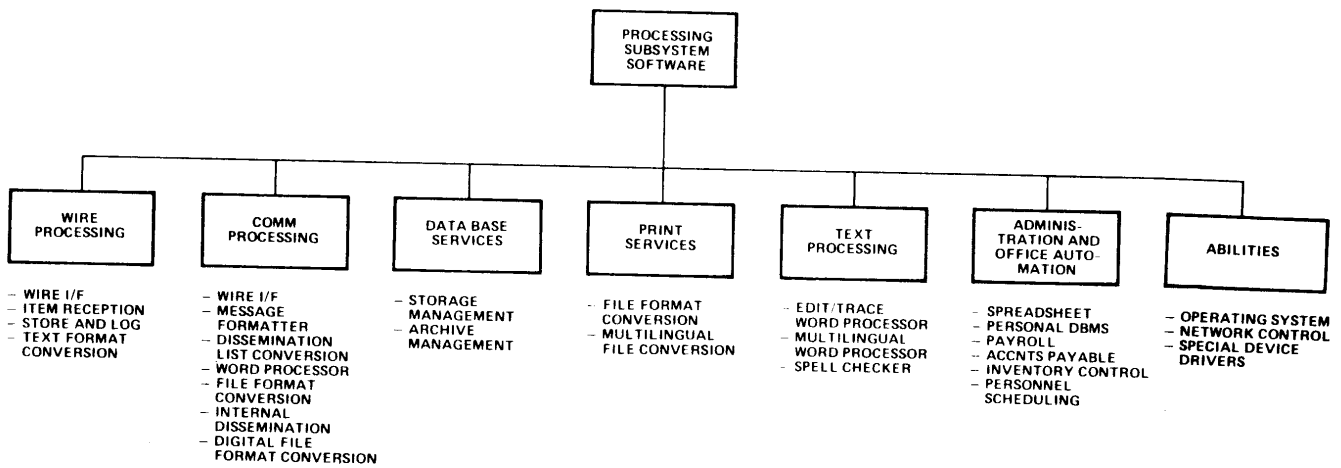
ESL
A Subsidiary of TRW

FBIS—BUREAU HARDWARE BLOCK DIAGRAM



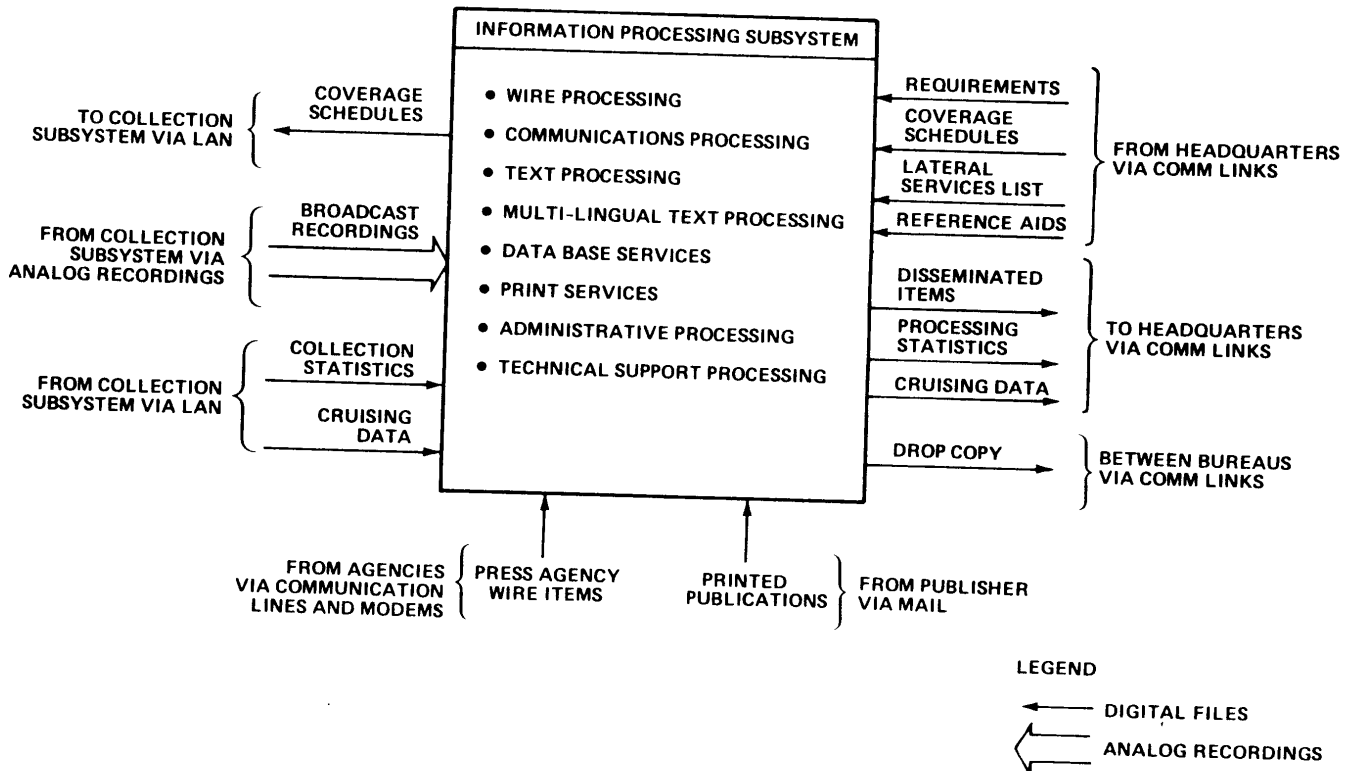
ESL
A Subsidiary of TRW

FBI-BUREAU SOFTWARE HIERARCHY



ESL
A Subsidiary of TRW

FBIS - SUBSYSTEM INTERFACES



SV00007-7

ESL

A Subsidiary of TRW

FBIS-SUBSYSTEM I/F W/COLLECTION DESCRIPTIONS



- 0 COLLECTION SUBSYSTEM/CRUISING CONTROLLER
 - ALL INTERACTION IS VIA LAN NETWORK MESSAGES & FILES
 - THE COMM SERVER RELAYS CRUISING COVERAGE, AND CRUISING DATA, TO AND FROM HEADQUARTERS

- 0 COLLECTION SUBSYSTEM/COLLECTION CONTROLLER
 - ALL INTERACTION IS VIA LAN NETWORK MESSAGES & FILES
 - THE COMM SERVER RECEIVES THE BROADCAST COVERAGE SCHEDULE AND COPIES IT TO THE COLLECTION CONTROLLER
 - COLLECTION STATISTICS ARE STORED BY THE FILE SERVER (E.G., DIRECTORY OF ARCHIVE TAPE)

- 0 COLLECTION SUBSYSTEM/RECEIVERS & RECORDERS
 - RECORDINGS OF BROADCAST MATERIAL ARE RECEIVED IN A MANNER THAT DEPENDS ON THE BUREAU'S OPERATION, EITHER:
 - 0 DIRECT TRANSMISSION TO MONITOR'S RECORDER, OR
 - 0 RECEIPT OF RECORDED CASSETTE TAPE

ESL

A Subsidiary of TRW

FBIS—SEGMENT EXTERNAL I/F DESCRIPTIONS

TRW

- 0 PRESS AGENCY WIRE SERVICES
 - TRANSMISSION VIA LEASED LINES OR RADIO TELETYPE
 - ANALOG SIGNALS CONVERTED TO DIGITAL ASYNC SERIAL I/F, SUCH AS RS-232C BY EXISTING GFE MODEMS
- 0 PUBLICATION DISTRIBUTION
 - RECEIPT IN MAIL OF PRINTED MATERIAL
- 0 FROM HEADQUARTERS
 - ALL TRANSMISSIONS RECEIVED BY COMM SERVER
 - FILES STORED BY FILE SERVER OR COPIED TO COLLECTION SUB.
- 0 TO HEADQUARTERS
 - ALL MATERIAL TRANSMITTED THROUGH COMM SERVER
 - MATERIAL SENT FROM EDITOR'S OR ADMIN WORK STATION
- 0 BETWEEN BUREAUS
 - ALL MATERIAL TRANSMITTED THROUGH COMM SERVER
 - ALL MATERIAL SENT FROM EDITOR'S OR ADMIN WORK STATION

ESL
A Subsidiary of TRW

FBIS-PC W/S - IBM PC AT, MODEL 99



THE IBM PC FORMS THE BASIS FOR ALL WORKSTATIONS AND SERVER NODES:

PC PROCESSOR

- 0 OVERALL, 2 TO 3 TIMES FASTER THAN PREVIOUS IBM PCs
- 0 USES NEW, INTEL 20286 MICROPROCESSOR CHIP
 - 6 MHZ CLOCK -- 25% FASTER THAN THE IBM PC
- 0 STANDARD 512 KBYTES OF RAM MEMORY
 - EQUIVALENT TO 256 TYPEWRITTEN PAGES
 - EXPANDABLE TO 3 MBYTES OF RAM

STORAGE

- 0 HIGH-CAPACITY FLOPPY DISK DRIVE
 - FASTER THAN OLDER FLOPPY DRIVES
 - 1.2 MBYTES OF STORAGE
 - HOLDS EQUIVALENT OF 600 TYPEWRITTEN PAGES
- 0 20 MBYTE HARD DISK
 - TWICE AS FAST AS THE XT'S DRIVE
 - MOUNTED IN THE CHASSIS
 - HAS FAST, 40 MILLISECOND AVERAGE ACCESS TIME
 - HOLDS EQUIVALENT OF 10,000 TYPEWRITTEN PAGES

ESL
A Subsidiary of TRW

FBIS-PC W/S FEATURES

TRW

KEYBOARD

- 0 NEW, IMPROVED KEYBOARD FROM PC XT
- 0 DIVIDED INTO 3 SECTIONS:
 - 10 FUNCTION KEYS
 - SELECTRIC-LIKE KEYBOARD
 - NUMERIC KEYPAD
- 0 IBM ADDED LEDs TO INDICATE CAPS, NUMERIC, AND SCROLL LOCK
- 0 HAS LONGER, 10-FOOT CABLE

MONITOR

- 0 IBM MONOCHROME MONITOR
- 0 11 1/2" (DIAGONAL) ANTI-GLARE SCREEN
- 0 DISPLAYS 25 LINES OF 80 CHARACTERS

ESL
A Subsidiary of TRW

FBIS-PC W/S MISC FEATURES



- 0 KEY LOCKABLE -- CONTROLS PHYSICAL ACCESS
- 0 IBM SUPPORTS AN OPEN ARCHITECTURE -- ALLOWS SECOND PARTY VENDORS TO PROVIDE ADDITIONAL PRODUCTS, SUCH AS:
 - OVERSIZED MONITORS
 - HIGH-CAPACITY DISKS
 - PRINTERS
 - LOCAL AREA NETWORKS
 - COLOR MONITORS
 - TAPE DRIVES
 - MEMORY
 - SPECIAL DEVICES
- 0 AS A WELL-ESTABLISHED VENDOR, IBM CAN ASSURE SUPPORT FOR THE LIFETIME OF THE INSTALLED EQUIPMENT

ESL
A Subsidiary of TRW

FBIS-MONITORS' PC W/S



HARDWARE

- 0 IBM PC AT, MODEL 99
- 0 NETWORK INTERFACE
- 0 FOREIGN LANGUAGE ENHANCEMENTS:
 - EASTERN COMPUTER CHARACTER GENERATOR BOARD
 - GRAPHICS BOARD
 - CONFIGURED TO SUPPORT A SINGLE FOREIGN LANGUAGE

SOFTWARE

- 0 EASTERN COMPUTER MULTILINGUAL WORD PROCESSOR
 - USED TO DISPLAY FOREIGN LANGUAGE WIRE SUMMARIES
 - ALSO USED TO ACCESS REFERENCE MATERIALS CONTAINING FOREIGN LANGUAGES
- 0 XYWRITE II-PLUS WORD PROCESSOR
 - USED FOR TRANSLATION
- 0 WORD PROOF SPELL CHECKER
- 0 'RECORD KEEPER' -- USER INTERFACE TO DBMS
- 0 'TASK KEEPER' -- USER INTERFACE TO ADMINISTRATION FILES

ESL
A Subsidiary of TRW

FBI-MONITOR'S USE OF PC W/S

TRW

- 0 ALL NORMAL MONITORING FUNCTIONS ARE SUPPORTED:
 - RADIO & TV BROADCAST MONITORING, MONITOR'S SELECTION
 - RADIO & TV BROADCAST TRANSLATION
 - PRESS AGENCY WIRE MONITORING & SELECTION IN SOFTCOPY
 - PRESS AGENCY WIRE ITEM TRANSLATION
 - CREATION OF PRESS AGENCY SUMMARIES FOR HARDCOPY FAX
 - ACCESS TO REFERENCE MATERIALS
 - ACCESS TO MULTILINGUAL TRANSLATION AIDS
 - SOFTCOPY REVIEW OF DISSEMINATED ITEMS
 - SOFTCOPY REVIEW OF EDITORIAL CHANGES, FOR TRAINING
 - CREATION OF PERSONAL FILES; STORED ON FLOPPY DISK
- 0 'TASK KEEPER' IS USED TO KEEP TRACK OF ASSIGNMENTS
- 0 'RECORD KEEPER' IS USED TO MANAGE SUMMARIES AND ITEMS
- 0 ECI AND XYWRITE WORD PROCESSORS ARE USED IN TRANSLATION

ESL
A Subsidiary of TRW

FBIS—JOB MANAGEMENT SOFTWARE



- 0 'TASK KEEPER' PROVIDES INTERACTION WITH THE DATA BASE OF ASSIGNED MONITORING TASKS
 - DISPLAYS ASSIGNED TASKS
 - USED TO TRACK WORK STATUS
 - MANAGES TASK ASSIGNMENT LIST FILES
- 0 'RECORD KEEPER' MANAGES THE PROGRESSION OF A MONITOR'S WORK BY ASSOCIATING SOURCE SUMMARIES AND TRANSLATED ITEMS WITH THE TASK ASSIGNMENT LIST
 - USED TO BUILD PROGRAM SUMMARIES AND PRESS SELECTION LISTS
 - EDITS PRESS AGENCY SUMMARIES
 - USED TO EDIT AND SELECT ITEMS FROM PROGRAM SUMMARIES, PRESS SELECTION LISTS, OR PRESS AGENCY SUMMARIES
 - SETS UP CONTROL OF A SOURCE SUMMARY IN THE DATA BASE SERVER
 - RELEASES TRANSLATED ITEMS TO EDITOR
 - DISPATCHES EDITED ITEMS TO THE COMM SERVER
 - UPDATES SOURCE SUMMARY AT COMPLETION OF TRANSLATION, EDITING, AND DISSEMINATION
 - ALSO USED TO BROWSE THROUGH BUREAU'S DISSEMINATED ITEMS IN SOFTCOPY, REQUESTED BY DATE, TIME, PERSON'S NAME
- 0 MENU PROGRAM FORMS AN APPLICATIONS INTERFACE THAT REDUCES TYPING BY USING A MENU TO INVOKE PROGRAMS

ESL
A Subsidiary of TRW

FBIS--TEXT PROCESSING SOFTWARE



- 0 XYWRITE IS THE PRIMARY WORD PROCESSOR
 - HAS EXTENSIVE ARRAY OF FUNCTIONS, SUITABLE FOR ADMINISTRATIVE WORD PROCESSING AS WELL
 - FAST -- HOLDS TEXT FILES IN MEMORY
 - HAS EXTENSIVE MACRO AND PROGRAMMING CAPABILITIES -- THESE WILL BE USED TO CREATE THE EDIT/TRACE FUNCTION
 - HAS TOTAL CUSTOMIZATION POSSIBILITIES -- CAN BE TAILORED TO SUIT THE PREFERENCES OF EACH INDIVIDUAL
 - OFFERS KEYBOARD DEFINITION UNDER PROGRAM CONTROL -- WILL BE ABLE TO DO SOME MULTILINGUAL PROCESSING
 - CAN RUN OTHER PROGRAMS FROM WITHIN XYWRITE, SUCH AS A SPELLING DICTIONARY
 - HELP SCREENS ARE AVAILABLE, AND CAN BE ADDED TO
 - HAS FEATURES LIKE SPLIT SCREEN (BOTH VERTICAL AND HORIZONTAL), DUAL SCREENS, FOOTNOTING, TABLE OF CONTENTS, INDEXING, FORMS DOCUMENT, AND MORE
- 0 EASTERN COMPUTERS WORD PROCESSOR WILL BE USED WHEN FOREIGN LANGUAGE TEXT IS DISPLAYED AT A MONITORS WORK STATION
 - ALSO BE USED TO SUPPORT REFERENCE AIDS FOR SOME LANGUAGES (LANGUAGES IN WHICH A PRESS AGENCY WIRE TRANSMITS)
- 0 XEROX STAR WORD PROCESSING SOFTWARE WILL BE USED FOR ALL OTHER MULTILINGUAL WORK
 - TRANSLATION AND REFERENCE AIDS FOR ALL OTHER LANGUAGES
 - REVERSE TRANSLATIONS
 - VERNACULAR WORD PROCESSING

ESL
A Subsidiary of TRW

FBIS—MULTILINGUAL TEXT PROCESSING



EQUIPMENT

- 0 XEROX STAR WORKSTATION
- 0 1.5 MBYTES OF RAM MEMORY
- 0 42 MBYTES OF HARD DISK STORAGE
- 0 EXTENDED LANGUAGE OPTIONS
- 0 TABLEWARE TO SUPPORT ALL FOREIGN LANGUAGES USED BY BUREAU

USE

- 0 AUGMENTS THE MULTILINGUAL CAPABILITIES OF MONITORS W/S
- 0 SUPPORTS MULTILINGUAL TRANSLATIONS AIDS FOR LANGUAGES NOT SUPPORTED BY ANY OF THE ECI-EQUIPPED WORKSTATIONS
- 0 TRANSLATION AIDS CAN BE USED IN SOFTCOPY AT THE STAR WORKSTATION, OR HARDCOPIES MADE ON THE LASER PRINTER

ESL
A Subsidiary of TRW

FBI--EDITORS' PC W/S

TRW

EDITOR'S PC W/S IS IDENTICAL TO MONITORS W/S,
BUT WITHOUT THE MULTILINGUAL CAPABILITIES:

HARDWARE

- 0 IBM PC AT, MODEL 99
- 0 NETWORK INTERFACE

SOFTWARE

- 0 XYWRITE II-PLUS WORD PROCESSOR
 - USED FOR EDITING
- 0 WORD PROOF SPELL CHECKER
- 0 'RECORD KEEPER' -- USER INTERFACE TO DBMS
- 0 'TASK KEEPER' -- USER INTERFACE TO ADMINISTRATION FILES

ESL
A Subsidiary of TRW

FBIS—EDITOR'S USE OF PC W/S

TRW

- 0 ALL NORMAL EDITING FUNCTIONS ARE SUPPORTED:
 - SOFTCOPY EDITING OF MONITOR'S TRANSLATED ITEMS
 - FORMATTING OF ITEMS FOR DISTRIBUTION
 - PRIORITIZING AND CODING ITEMS FOR DISSEMINATION
 - ENGLISH LANGUAGE WIRE MONITORING & SELECTION IN SOFTCOPY
 - SOFTCOPY REVIEW OF DISSEMINATED ITEMS
 - ACCESS TO REFERENCE MATERIALS
 - SOFTCOPY REVIEW OF EDITORIAL CHANGES, FOR TRAINING
 - CREATION OF PERSONAL FILES; STORED ON FLOPPY DISK
- 0 'TASK KEEPER' IS USED TO KEEP TRACK OF ASSIGNMENTS
- 0 'RECORD KEEPER' IS USED TO MANAGE SUMMARIES AND ITEMS
- 0 XYWRITE WORD PROCESSOR IS USED FOR EDITING

ESL
A Subsidiary of TRW

FBIS-WIRE SERVER

TRW

HARDWARE

- 0 IBM PC AT, MODEL 99
- 0 NETWORK INTERFACE
- 0 FOREIGN LANGUAGE ENHANCEMENTS:
 - EASTERN COMPUTER CHARACTER GENERATOR BOARD
 - GRAPHICS BOARD
 - CONFIGURED TO SUPPORT A UP TO TWO FOREIGN LANGUAGES
- 0 EXTRA 20 MBYTE IBM DISK DRIVE
- 0 TWO, SERIAL INTERFACE CARDS TO ACCEPT OUTPUT FROM LINE MODEMS OR RADIO TELETYPE DEMULTIPLEXERS

SOFTWARE

- 0 EASTERN COMPUTER MULTILINGUAL WORD PROCESSOR
 - USED TO CONTINUOUSLY DISPLAY FOREIGN LANGUAGE WIRE LOGS
- 0 WIRE SERVICE EXECUTIVE PROGRAM
 - PROVIDES CHARACTER AND FORMAT CONVERSION
 - FORMATS ITEMS INTO STANDARD FBIS MESSAGE FORMAT
 - LOGS EACH RECEIVED ITEM
 - STORES EACH ITEM ON LOCAL DISK
 - MAKES A BACKUP COPY OF EACH ITEM IN THE DATA BASE SERVER

ESL

A Subsidiary of TRW

FBIS-WIRE SERVICE STORAGE SIZING (1 OF 3)**TRW**

BUREAU:	ABIDJAN	AUSTRIAN	BANGKOK	GULF	HONG KONG
CURRENT WIRE TRAFFIC (IN KWORDS/DAY)	390	425	200	185	300
CURRENT # OF WIRES	7	7	10	5	2
<u>CURRENT WIRE TRAFFIC</u>					
- AGGREGATE (MBYTES/DAY)	3.90	4.25	2.00	1.85	3.00
- PER WIRE (MBYTES/DAY)	.56	.61	.20	.37	1.50
<u>FUTURE WIRE TRAFFIC 5 YRS. -- 20% PER YR.</u>					
- AGGREGATE (MBYTES/DAY)	9.70	10.57	4.98	4.60	7.46
- PER WIRE (MBYTES/DAY)	1.39	1.51	0.50	0.42	3.73
<u>FUTURE WIRE TRAFFIC 10 YRS. -- 20% PER YR.</u>					
- AGGREGATE (MBYTES/DAY)	24.14	26.31	12.38	11.45	18.57
- PER WIRE (MBYTES/DAY)	3.45	3.76	1.24	2.29	9.28

ESL

A Subsidiary of TRW

FBIS—WIRE SERVICE STORAGE SIZING (2 OF 3)**TRW**

BUREAU:	JORDAN	KEY WEST	LONDON	NICOSIA	OKINAWA
CURRENT WIRE TRAFFIC (IN KWORDS/DAY)	230	100	---	330	675
CURRENT # OF WIRES	7	3	---	4	17
<u>CURRENT WIRE TRAFFIC</u>					
- AGGREGATE (MBYTES/DAY)	2.30	1.00	---	3.30	6.75
- PER WIRE (MBYTES/DAY)	.33	.33	---	.83	.40
<u>FUTURE WIRE TRAFFIC 5 YRS. -- 20% PER YR.</u>					
- AGGREGATE (MBYTES/DAY)	5.72	2.49	---	8.21	16.79
- PER WIRE (MBYTES/DAY)	.82	.83	---	2.05	.99
<u>FUTURE WIRE TRAFFIC 10 YRS. -- 20% PER YR.</u>					
- AGGREGATE (MBYTES/DAY)	14.24	6.19	---	20.43	41.78
- PER WIRE (MBYTES/DAY)	2.03	2.06	---	5.11	2.45

ESL
A Subsidiary of TRW

FBIS-WIRE SERVICE STORAGE SIZING (3 OF 3)

TRW

BUREAU:	PANAMA	PARAGUAY	SEOUL	SWAZILAND	TEL AVIV
CURRENT WIRE TRAFFIC (IN KWORDS/DAY)	675	770	70	160	100
CURRENT # OF WIRES	8	6	3	1	4
<u>CURRENT WIRE TRAFFIC</u>					
- AGGREGATE (MBYTES/DAY)	<u>6.75</u>	<u>7.70</u>	0.70	1.60	1.00
- PER WIRE (MBYTES/DAY)	.84	<u>1.28</u>	.23	<u>1.60</u>	.25
<u>FUTURE WIRE TRAFFIC 5 YRS. -- 20% PER YR.</u>					
- AGGREGATE (MBYTES/DAY)	<u>16.99</u>	<u>19.16</u>	1.74	3.98	2.48
- PER WIRE (MBYTES/DAY)	2.10	<u>3.19</u>	.58	<u>3.98</u>	.62
<u>FUTURE WIRE TRAFFIC 10 YRS. -- 20% PER YR.</u>					
- AGGREGATE (MBYTES/DAY)	<u>41.78</u>	<u>47.66</u>	4.33	9.90	6.19
- PER WIRE (MBYTES/DAY)	5.22	<u>7.94</u>	1.44	<u>9.90</u>	1.55

ESL
A Subsidiary of TRW

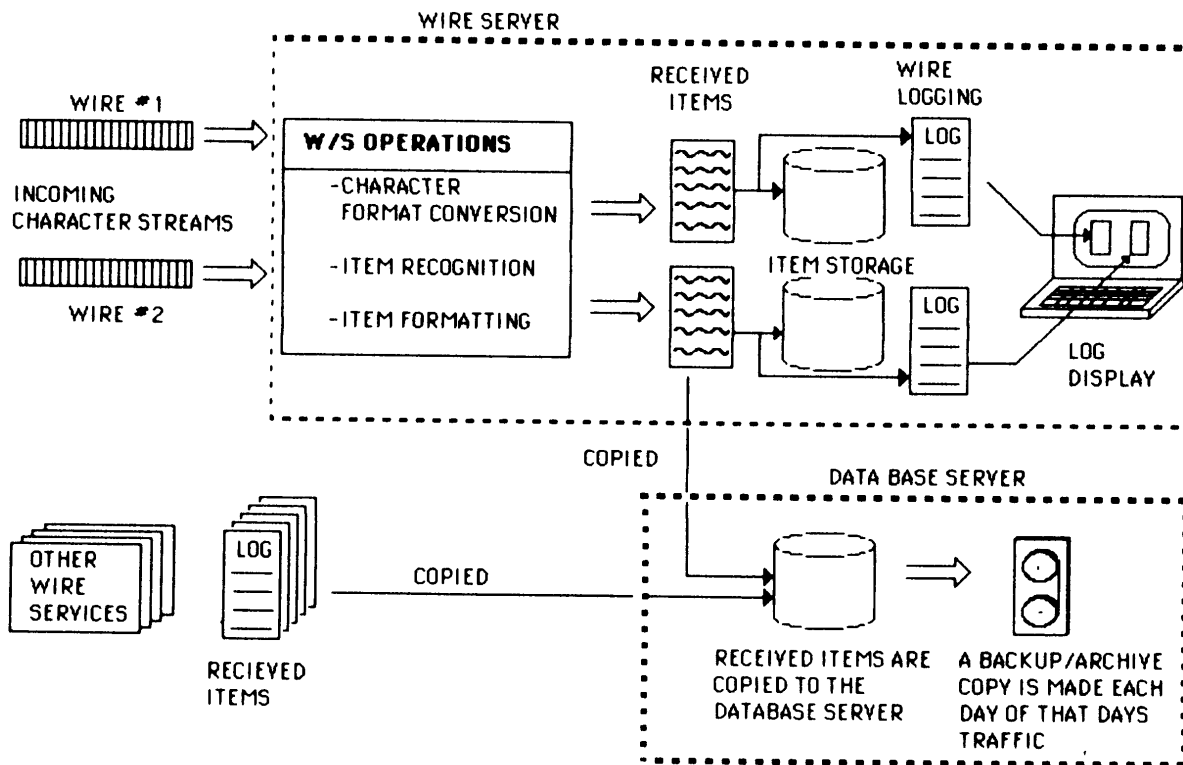
FBIS-WIRE SERVICE SIZING SUMMARY

TRW

- 0 CURRENT TRAFFIC AVERAGES 0.5 MBYTES/DAY PER WIRE
- 0 A 249% GROWTH RATE OVER 5 YEARS WILL INCREASE THE AMOUNT OF TRAFFIC TO 1+ MBYTES/DAY PER WIRE
- 0 A 619% GROWTH RATE OVER 10 YEARS WILL RESULT IN TRAFFIC THAT AVERAGES 3 TO 4 MBYTES/DAY PER WIRE
- 0 CURRENT TRAFFIC RATE PERMIT AN AVERAGE ONLINE STORAGE CAPACITY IN EXCESS OF 30 DAYS
- 0 ONLINE STORAGE RETENTION CAPABILITY DROPS SLOWLY AS GROWTH CLIMBS -- CAN BE EXTENDED THROUGH ADDITIONAL DISK CAPACITY
- 0 AN ARCHIVE COPY OF TRAFFIC IS MADE DAILY BY THE DATA BASE SERVER OF THAT DAY'S TRAFFIC
- 0 THE DATA BASE SERVER IS SIZED TO HANDLE MAXIMUM OF APPROXIMATELY 50 MBYTES PER DAY OF ARCHIVE MATERIAL
- 0 ABNORMALLY ACTIVE WIRES ARE CONFIGURED 1 WIRE PER SERVER

ESL
A Subsidiary of TRW

FBIS - WIRE SERVER COLLECTION OPERATION



ESL
A Subsidiary of TRW

FBIS—COMMUNICATIONS SERVER



HARDWARE

- 0 IBM PC AT, MODEL 99
- 0 NETWORK INTERFACE
- 0 TWO, TELECOMMUNICATION LINE CONTROLLERS
 - FIRST UNIT IS PRIME UNIT, ALWAYS IN USE
 - SECOND UNIT IS READY AS A STANDBY
- 0 TWO, SERIAL INTERFACES
 - FIRST INTERFACE CONNECTS TO THE TLC
 - SECOND INTERFACE CONNECTS THE SERVER TO BACKUP CIRCUIT
- 0 TWO SERVERS PER BUREAU, CROSS-COUPLED TO EACH CIRCUIT

SOFTWARE

- 0 COMM SERVER EXECUTIVE PROGRAM
 - PROVIDES CHARACTER CONVERSION
 - PERFORMS MESSAGE AND MULTI-TAKE FORMATTING
 - LOGS EACH TRANSMISSION
 - UPDATES THE STATUS OF EACH ITEM IN SOURCE SUMMARY
 - STORES A COPY OF EACH TRANSMISSION IN THE DATA BASE SERVER FOR ARCHIVING

ESL

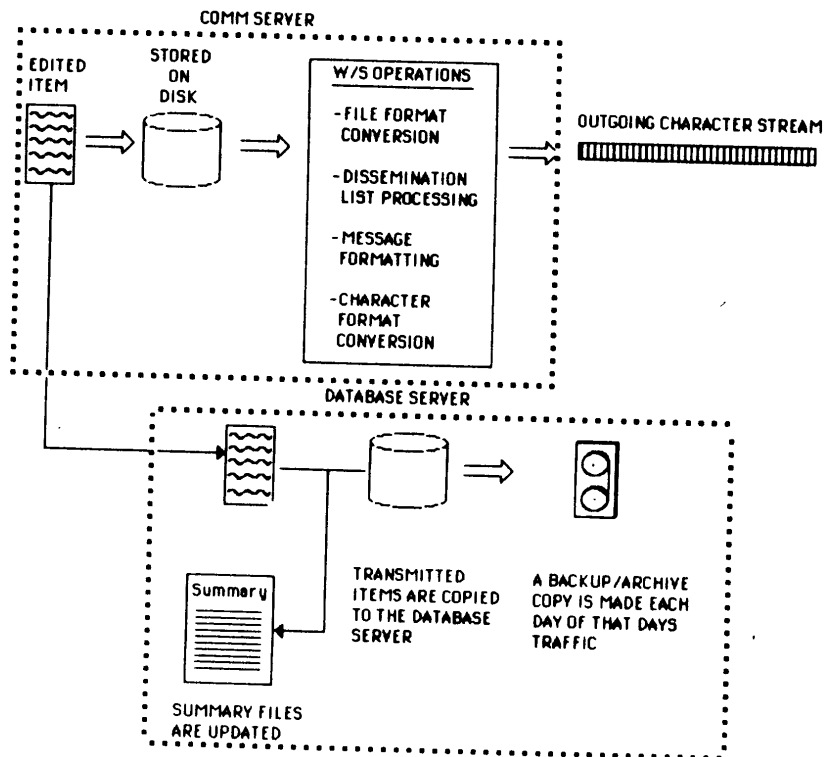
A Subsidiary of TRW

FBIS—COMMUNICATIONS SERVER STORAGE SIZING**TRW**

	BUREAU:	<u>ABIDJAN</u>	<u>AUSTRIAN</u>	<u>BANGKOK</u>	<u>GULF</u>	<u>HONG KONG</u>
OUTPUT VOLUME:		10.5	20.5	35.5	19.0	55.5
KWORDS/DAY						
OUTPUT VOLUME:		105	205	355	190	555
KBYTES/DAY						
60 DAY ACCUMALATION:		6.3	12.3	21.3	11.4	33.3
MBYTES						
	BUREAU:	<u>JORDAN</u>	<u>KEY WEST</u>	<u>LONDON</u>	<u>NICOSIA</u>	<u>OKINAWA</u>
OUTPUT VOLUME:		13.5	7.5	90.0	26.0	47.5
KWORDS/DAY						
OUTPUT VOLUME:		135	75	900	260	475
KBYTES/DAY						
60 DAY ACCUMALATION:		8.1	4.5	<u>54.0</u>	15.6	28.5
MBYTES						
	BUREAU:	<u>PANAMA</u>	<u>PARAGUAY</u>	<u>SEOUL</u>	<u>SWAZILAND</u>	<u>TEL AVIV</u>
OUTPUT VOLUME:		17.5	9.0	28.0	7.0	20.0
KWORDS/DAY						
OUTPUT VOLUME:		175	90	280	70	200
KBYTES/DAY						
60 DAY ACCUMALATION:		10.5	5.4	16.8	4.2	12.0
MBYTES						

ESL
A Subsidiary of TRW

FBIS-COMMUNICATIONS SERVER OPERATION



ESL
A Subsidiary of TRW

FBIS-DATA BASE SERVER



HARDWARE

- 0 IBM PC AT, MODEL 99
- 0 NETWORK INTERFACE
- 0 ADDITIONAL 92 MBYTES DISK STORAGE
- 0 DOUBLE-DUTY TAPE DRIVE: STREAMING OR START/STOP MODE
- 0 SIZED TO HANDLE
 - MAXIMUM 50 MBYTES/DAY OF WIRE ARCHIVE TRAFFIC
 - THE MAXIMUM 54 MBYTES FROM 60 DAYS ACCUMALATION OF DISSEMINATED BUREAU ITEMS
 - ASSORTED MASTER VERSIONS OF SOURCE SUMMARIES, REFERENCE AIDS, BUREAU FILES

SOFTWARE

- 0 PERFORMS ONLINE STORAGE MANAGEMENT AND DATA ACCESS
- 0 ALSO RESPONSIBLE FOR OFFLINE STORAGE MANAGEMENT, ARCHIVING, AND ARCHIVE RETRIEVAL
- 0 USER INTERFACE TO DATA BASE SERVER DATA BASES IS WITH 'RECORD KEEPER'

ESL

A Subsidiary of TRW

FBIS-ADMIN AND TECH PC WORKSTATIONS



HARDWARE

- 0 IBM PC AT, MODEL 99
- 0 NETWORK INTERFACE

SOFTWARE

- 0 XYWRITE II-PLUS FOR WORD PROCESSING
- 0 "WORD PROOF" SPELLING CHECKER
- 0 ASSORTED OFFICE AUTOMATION SOFTWARE PACKAGES
 - SYMPHONY, FOR SPREADSHEETS AND PERSONAL DATA BASES
 - PAYROLL
 - INVENTORY CONTROL
 - ACCOUNTS PAYABLE

ESL
A Subsidiary of TRW

FBIS-LOCAL AREA NETWORK

TRW

- 0 XEROX ETHERNET LOCAL AREA NETWORK
- 0 CABLE & IBM PC ETHERNET INTERFACE CARDS SUPPLIED BY XEROX
- 0 NETWORK RUNS XNS PROTOCOLS
- 0 COAX CABLE IS TEFLON COATED, MEETS TEMPEST SPECS
- 0 ETHERNET HAS A 10 MBIT/SEC PERFORMANCE
- 0 10 MBITS/SEC GREATLY EXCEEDS BUREAU PERFORMANCE REQUIREMENTS:
PERMITS 72 SIMULTANEOUS USERS TO EACH TRANSMIT
OVER 8 TYPEWRITTEN PAGES EVERY SECOND

ESL
A Subsidiary of TRW

FBIS-MONITOR'S MENU



MONITORING MAIN MENU	
<input type="checkbox"/>	NETWORK LOGON
<input type="checkbox"/>	NETWORK LOGOFF
<input type="checkbox"/>	TASK KEEPER
<input type="checkbox"/>	RECORD KEEPER
<input type="checkbox"/>	EDITOR (ENGLISH)
<input type="checkbox"/>	EDITOR (FOREIGN LANGUAGE)
<input type="checkbox"/>	REFERENCE AIDS
<input type="checkbox"/>	MAIL
<input type="checkbox"/>	PRINT
<input type="checkbox"/>	D.O.S.

- FOR ACCOUNTING
- FOR ACCOUNTING
- MANAGES LIST OF MONITOR'S ASSIGNMENTS
- MANAGES FILE ACCOUNTING
- TRANSLATION
- DISPLAY OF FOREIGN LANGUAGE PRESS WIRES
- ACCESS REFERENCE MATERIALS
- SEND MAIL TO ANOTHER USER
- PRINT MATERIAL ON PRINT SENSOR
- EXECUTE O.S. COMMANDS

ESL
A Subsidiary of TRW

FBIS—MONITOR'S VIEW OF DATA RELATIONSHIPS

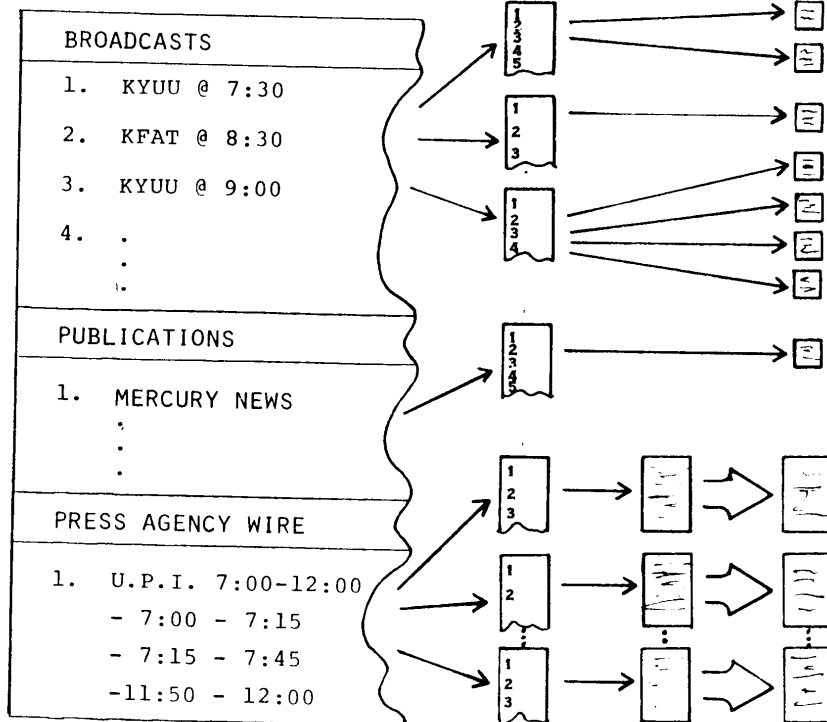


SOFTWARE: 'TASK KEEPER'

'RECORD
KEEPER'

WORD
PROCESSOR(S)

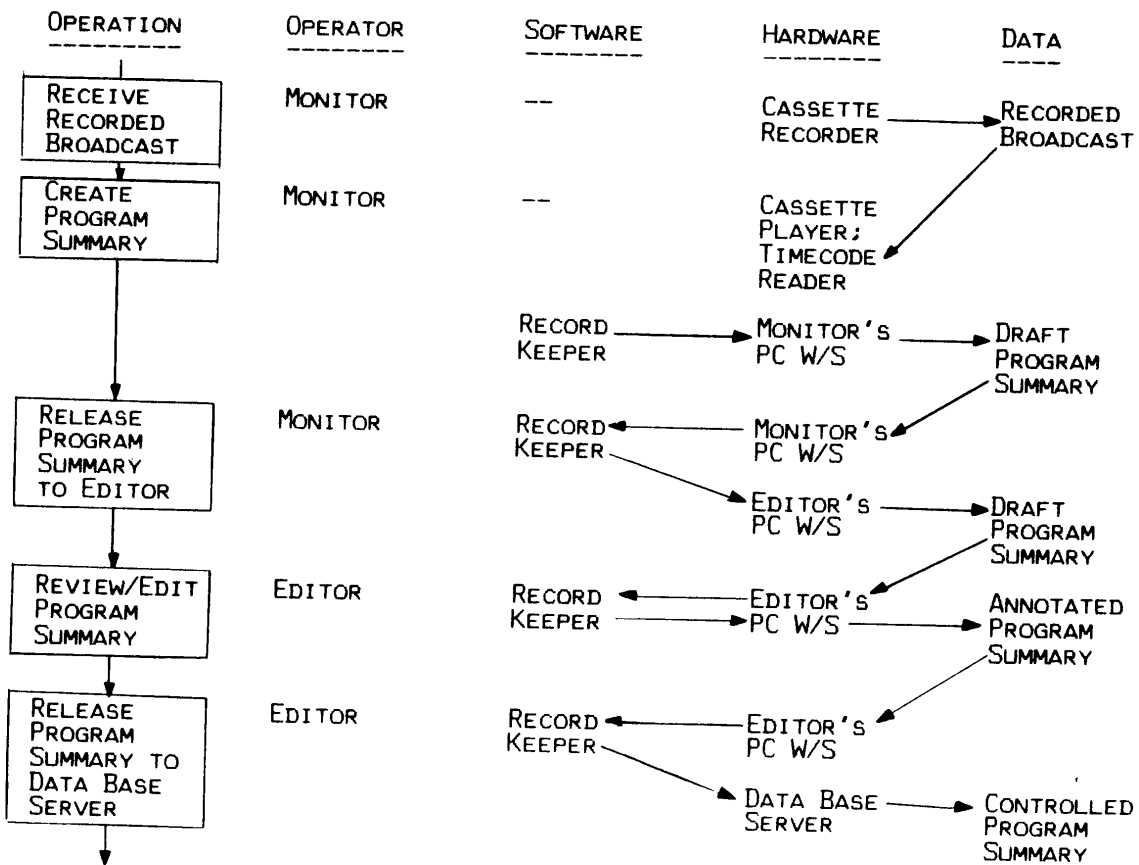
DATA: TASK ASSIGNMENT LIST



- MONITORS ARE ASSIGNED SPECIFIC SOURCES TO MONITOR (TASK ASSIGNMENT LIST)
- MONITORING OF EACH SOURCE PRODUCES A SUMMARY FOR SELECTION (PROGRAM SUMMARY, PRESS SELECTION LIST, PRESS AGENCY SUMMARY, ETC.)
- SELECTED MATERIAL IS TRANSLATED TO PRODUCE INDIVIDUAL ITEMS

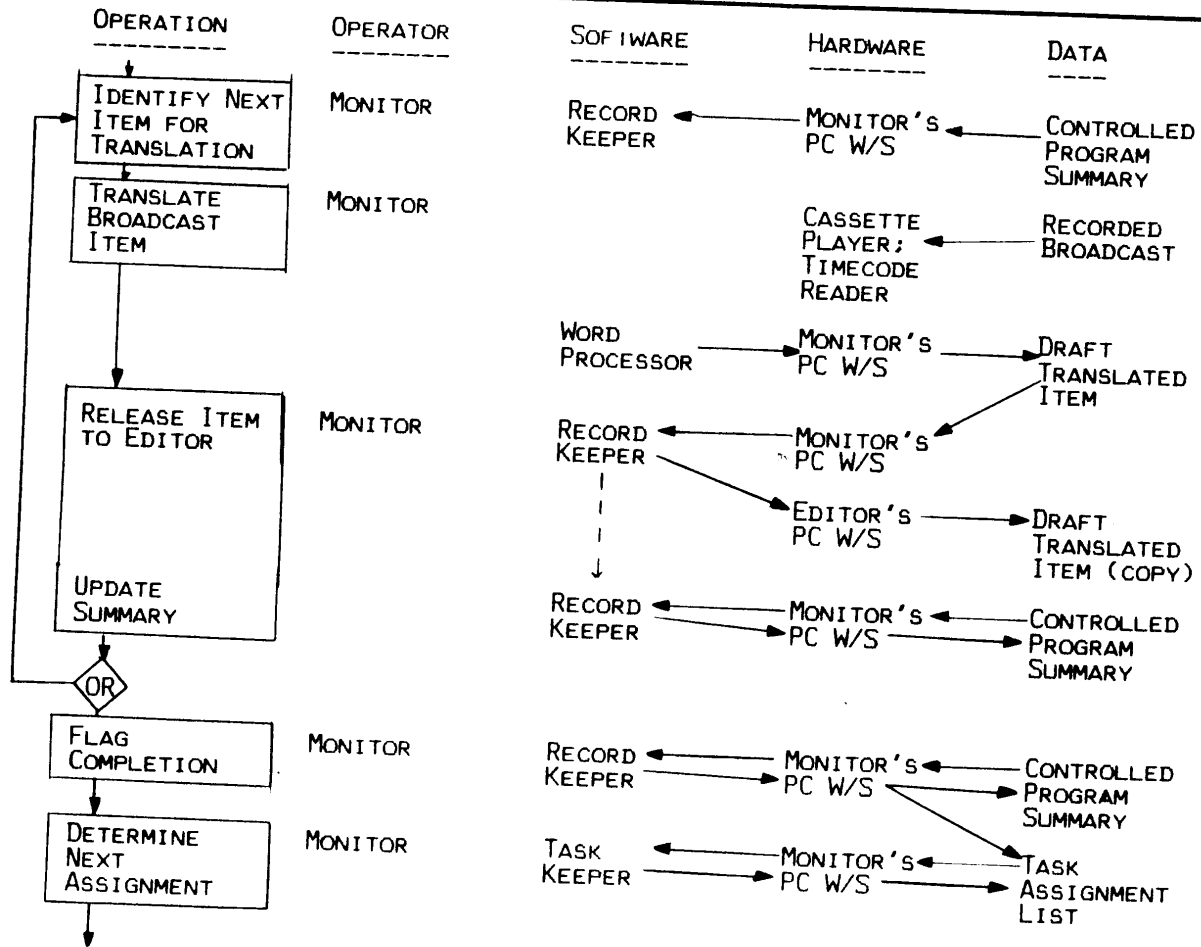
ESL
A Subsidiary of TRW

FBIS-BROADCAST MONITORING (SELECTION)



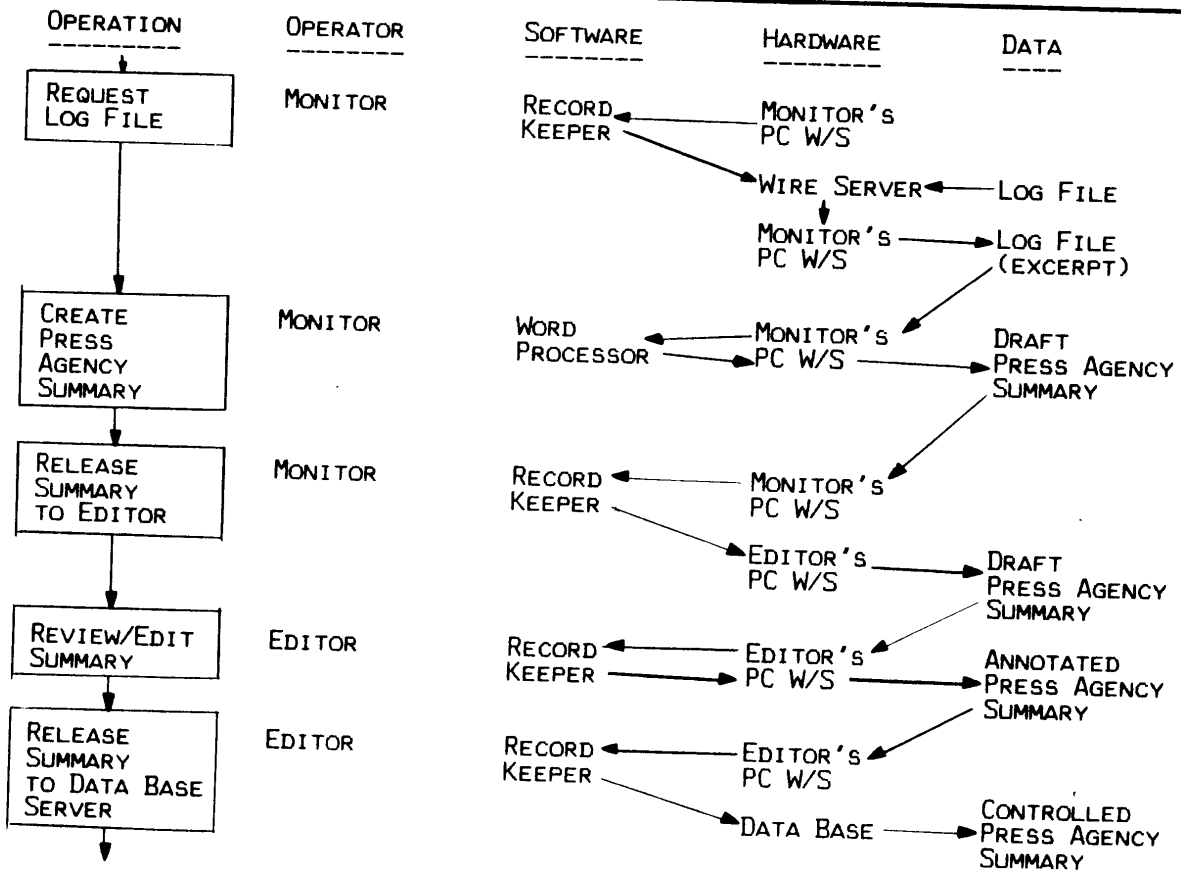
ESL
A Subsidiary of TRW

FBIS-BROADCAST MONITORING (TRANSLATION)



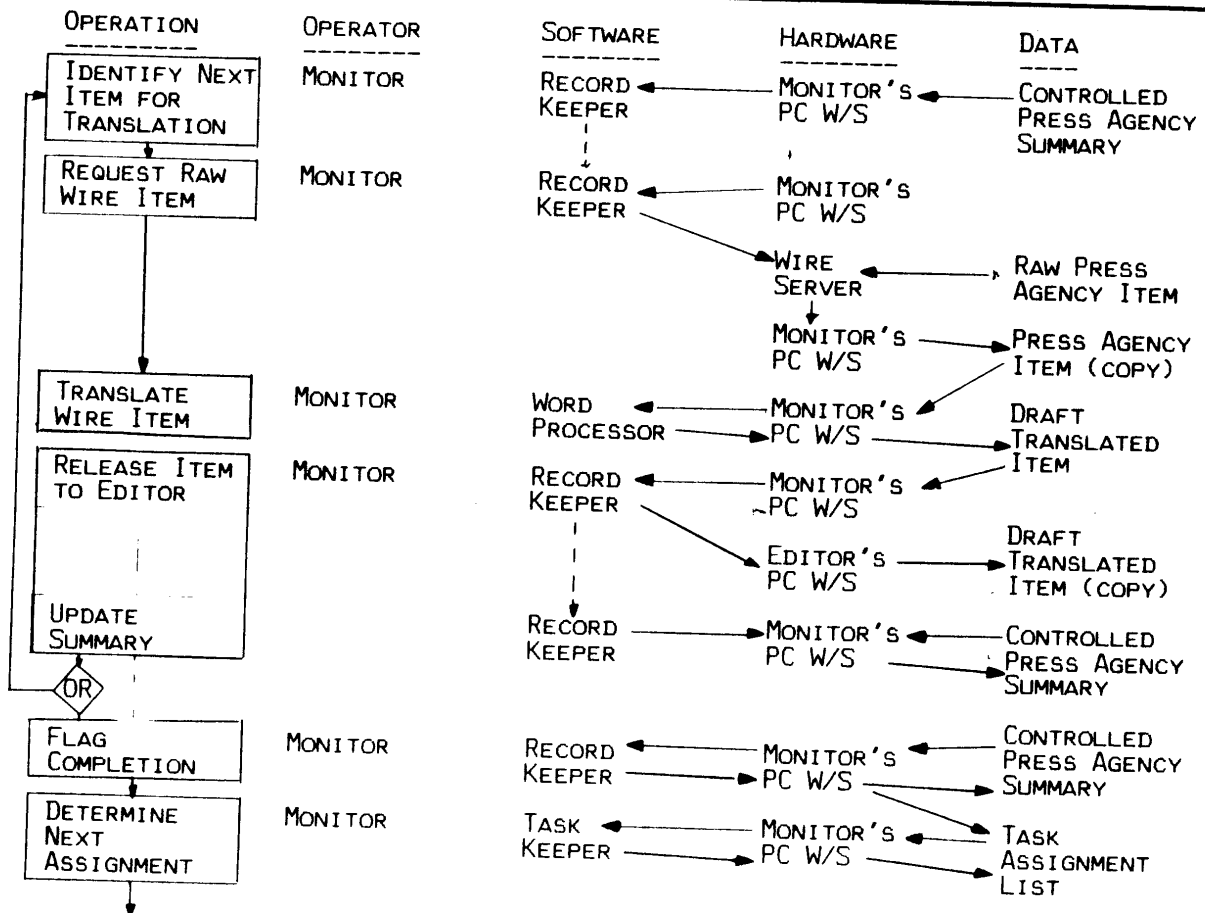
ESL
A Subsidiary of TRW

FBIS-WIRE SERVICE MONITORING (SELECTION)



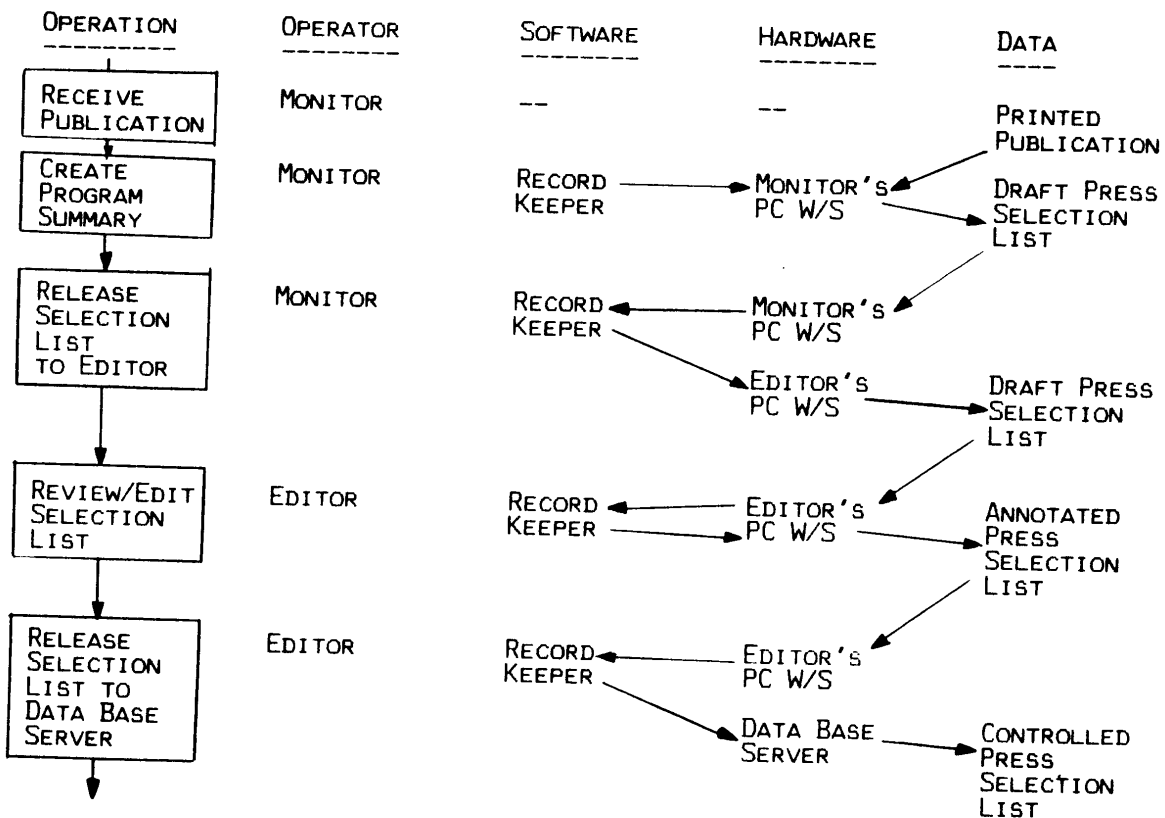
ESL
A Subsidiary of TRW

FBIS-WIRE SERVICE MONITORING (TRANSLATION)



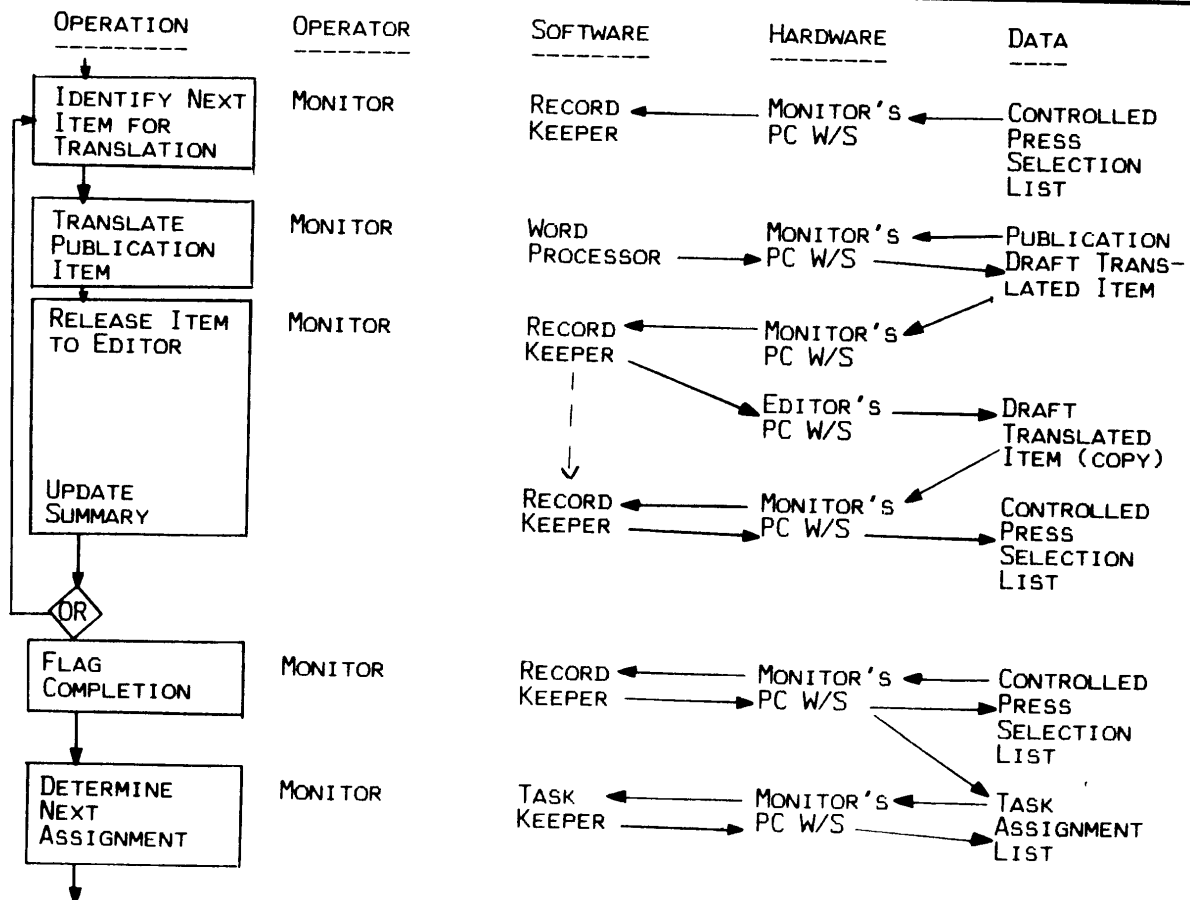
ESL
A Subsidiary of TRW

FBIS - PUBLICATIONS MONITORING (SELECTION)



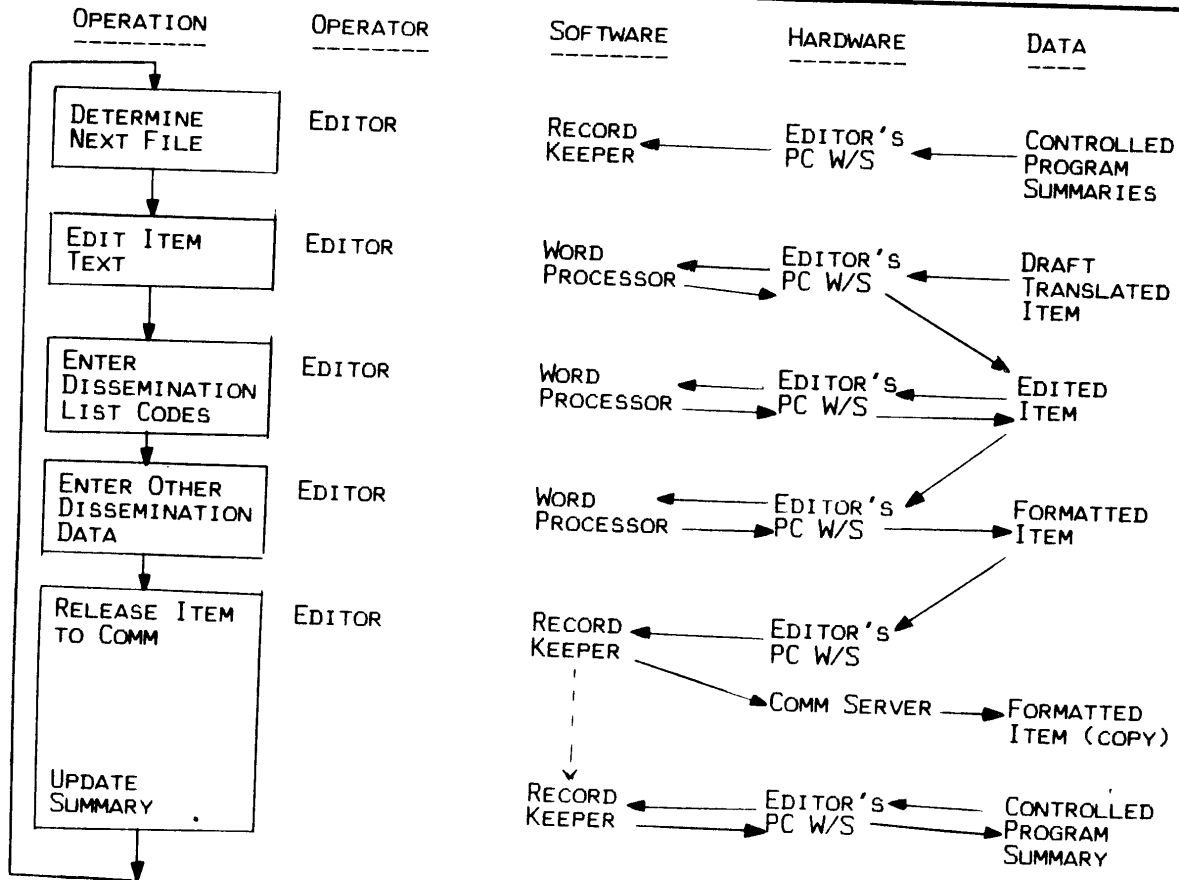
ESL
A Subsidiary of TRW

FBIS-PUBLICATIONS MONITORING (TRANSLATION)



ESL
A Subsidiary of TRW

FBIS-EDITING



ESL

A Subsidiary of TRW

FBIS-COLLECTION SUBSYSTEM VENDOR LIST**TRW**

<u>QTY</u>	<u>PART NUMBER</u>	<u>DESCRIPTION</u>	<u>SOURCE</u>
14	SUBCON	HF SWITCH MATRIX	
365	WJ 9040	HF RECEIVER	OLEKTRON
		HEADSET	WJ
13	SUBCON	VHF/UHF SWITCH MATRIX	
53	WJ 8617B	VHF/UHF RECEIVER	OLEKTRON
39	PM 5560	TV TUNER	WJ
13	WJ 810	TIME/DATE CHARACTER GEN.	PHILLIPS
68	5630	VIDEO CASSETTE RECORDER	PANASONIC
13	1600	TV BASEBAND SWITCH	SONY
13	CT 2000M	TV MONITOR	DYNAIR
14	8568A	SPECTRUM ANALYZER	PANASONIC
392	133B	AUDIO CASSETTE RECORDER	HP
14	4 R/P-40	ARCHIVE TAPE RECORDER	TASCAM
14	5300 SERIES	AUDIO DISTRIBUTION UNIT	MAGNASYNC/MOVIOLA
14	SYSTEM 21	MONITOR SWITCH MATRIX	DYNAIR
14	5370 SERIES	TIME CODE DISTRIBUTION	DYNAIR
14	8120	TIME CODE GENERATOR	DYNAIR
15	4833	RECORDER INTERFACE	AUSTRON
33	PC-AT	CONTROLLER	ICS
392	8132	TIME CODE READER	IBM
			AUSTRON

ESL
A Subsidiary of TRW

FBIS-BUREAU CONFIGURATION AND SIZING



ITEM DESCRIPTION	ABIDJA	AUSTR	BANKOK	HK	GULF	JORDAN	KEY W	NICOC	OKINA	PANAMA	PARAG	SEOUL	SWAZI	TEL AV
HF COLLECTION	x													
HF SWITCH MATRIX	x													
HF RECEIVER	x	1	1	1	1	1	1	1	1	1	1	1	1	1
TV COLLECTION	x	12	32	41	13	12	21	8	21	72	47	20	24	15
VHF/UHF SWITCH MATRIX	x	0	1	1	1	1	1	1	1	1	1	1	1	1
VHF/UHF RECEIVER	x	0	4	2	5	2	2	4	2	4	1	1	1	1
TV TUNER	x	0	4	2	5	2	2	4	2	4	4	3	2	3
TIME/DATE GEN	x	0	1	1	1	1	1	1	1	1	1	1	1	1
VCR	x	0	8	2	10	2	4	8	2	8	8	1	1	1
TV SW	x	0	1	1	1	1	1	1	1	1	6	2	6	2
MONITOR	x	0	1	1	1	1	1	1	1	1	1	1	1	1
AUTOMATED CRUISING	x													
PRECONDITIONER	x	1	1	1	1	1	1	1	1	1	1	1	1	1
HF RECEIVER	x	1	1	1	1	1	1	1	1	1	1	1	1	1
VHF/UHF RECEIVER	x	1	1	1	1	1	1	1	1	1	1	1	1	1
SPECTRUM ANALYZER	x	1	1	1	1	1	1	1	1	1	1	1	1	1
CASSETTE RECORDER	x	1	1	1	1	1	1	1	1	1	1	1	1	1
CONTROLLER	x	1	2	2	2	2	2	2	2	2	2	2	2	2
RECORDING	x	1	1	1	1	1	1	1	1	1	1	1	1	1
AUDIO DISTRIBUTION	x	1	1	1	1	1	1	1	1	1	1	1	1	1
ARCHIVE RECORDER	x	1	1	1	1	1	1	1	1	1	1	1	1	1
MONITOR SW MATRIX	x	1	1	1	1	1	1	1	1	1	1	1	1	1
CASSETTE RECORDER	x	13	33	42	14	13	22	9	22	73	48	21	25	16
TIME CODE GENERATOR	x	1	1	1	1	1	1	1	1	1	1	1	1	1
TIME CODE DISTRIB	x	1	1	1	1	1	1	1	1	1	1	1	1	1
RECORDER INTERFACE	x	1	1	1	1	1	1	1	1	1	1	1	1	1
CONTROLLER	x													
COMPUTER	x	1	3	3	2	1	2	1	2	6	4	2	2	2

ESL
A Subsidiary of TRW

FBIS—"AVERAGE" COLLECTION SUB CONFIGURATION



<u>ITEM DESCRIPTIONS</u>	<u>TOTAL , # OF UNITS</u>	<u>AVERAGE # OF UNITS</u>
HF SWITCH MATRIX	14	1
HF RECEIVER	365	26
VHF/UHF SWITCH MATRIX	13	1
VHF/UHF RECEIVER	53	4
TV TUNER	39	3
TIME/DATE CHAR. GEN.	13	1
VIDEO CASSETTE RECORDER	68	5
TV BASEBAND SWITCH	13	1
TV MONITOR	13	1
SPECTRUM ANALYZER	14	1
AUDIO CASSETTE RECORDER	392	28
ARCHIVE TAPE RECORDER	14	1
AUDIO DISTRIBUTION UNIT	14	1
MONITOR SWITCH MATRIX	14	1
TIME CODE DISTRIBUTION	14	1
TIME CODE GENERATOR	14	1
RECORDER INTERFACE	15	1
CONTROLLER	33	2

ESL
A Subsidiary of TRW

FBIS-MONITORS' W/S COMPONENTS



<u>ESL BUREAU ITEM DESCRIPTION</u>	<u>VENDOR</u>	<u>VENDOR'S DESCRIPTION</u>
MONITORS' w/s		
	IBM	5170-099; ENHANCED PC AT, MODEL 99
	XEROX	EIB; ETHERNET INTERFACE BOARD & SOFTWARE
	IBM	5170-4900; MONOCHROME DISPLAY/PR. ADAPTER
	IBM	5151-001; MONOCHROME DISPLAY
	IBM	5150-1200; ENHANCED GRAPHICS ADAPTER
	ECI	CHARACTER GENERATOR & SOFTWARE
	IBM	5150-0235; 50' CABLING SEGMENT
	IBM	5170-4211; DOS 3.1
	XYQUEST	XYWRITE II-PLUS WORD PROCESSING PROGRAM
	IBM	5150-4017; WORD PROOF

ESL
A Subsidiary of TRW

FBIS-EDITORS' W/S COMPONENTS



<u>ESL BUREAU ITEM DESCRIPTION</u>	<u>VENDOR</u>	<u>VENDOR'S DESCRIPTION</u>
EDITORS' W/S		
	IBM	5170-099; ENHANCED PC AT, MODEL 99
	XEROX	EIB; ETHERNET INTERFACE BOARD & SOFTWARE
	IBM	5170-4900; MONOCHROME DISPLAY/PR. ADAPTER
	IBM	5151-001; MONOCHROME DISPLAY
	IBM	5150-0235; 50' CABLING SEGMENT
	IBM	5170-4211; DOS 3.1
	XYQUEST	XYWRITE II-PLUS WORD PROCESSING PROGRAM
	IBM	5150-4017; WORD PROOF

ESL
A Subsidiary of TRW

FBIS-ADMINISTRATIVE W/S COMPONENTS



<u>ESL BUREAU ITEM DESCRIPTION</u>	<u>VENDOR</u>	<u>VENDOR'S DESCRIPTION</u>
ADMIN. W/S		
	IBM	5170-099; ENHANCED PC AT, MODEL 99
	XEROX	EIB; ETHERNET INTERFACE BOARD & SOFTWARE
	IBM	5170-4900; MONOCHROME DISPLAY/PR. ADAPTER
	IBM	5151-001; MONOCHROME DISPLAY
	IBM	5150-0235; 50' CABLING SEGMENT
	IBM	5170-4211; DOS 3.1
	XYQUEST	XYWRITE II-PLUS WORD PROCESSING PROGRAM
	IBM	5150-4017; WORD PROOF
	IBM	5150-9448; SYMPHONY
	IBM	5150-4057; INVENTORY CONTROL
	IBM	5150-4059; ACCTS. PAYABLE
	IBM	5150-4060; PAYROLL

ESL
A Subsidiary of TRW

FBIS-TECHNICIANS' W/S COMPONENTS



<u>ESL BUREAU ITEM DESCRIPTION</u>	<u>VENDOR</u>	<u>VENDOR'S DESCRIPTION</u>
ENG/TECH w/s		
	IBM	5170-099; ENHANCED PC AT, MODEL 99
	XEROX	EIB; ETHERNET INTERFACE BOARD & SOFTWARE
	IBM	5170-4900; MONOCHROME DISPLAY/PR. ADAPTER
	IBM	5151-001; MONOCHROME DISPLAY
	IBM	5150-0235; 50' CABLING SEGMENT
	IBM	5170-4211; DOS 3.1
	XYQUEST	XYWRITE II-PLUS WORD PROCESSING PROGRAM
	IBM	5150-4017; WORD PROOF
	IBM	5150-4057; INVENTORY CONTROL

ESL
A Subsidiary of TRW

FBIS—MULTI—LINGUAL W/S COMPONENTS



<u>ESL BUREAU ITEM DESCRIPTION</u>	<u>VENDOR</u>	<u>VENDOR'S DESCRIPTION</u>
WORKSTATIONS		
	XEROX	T22; NETWORK SYSTEMS PROCESSOR
	XEROX	H87; 42 MB RIGID DISK DRIVE
	XEROX	D36; KEYBOARD WITH MOUSE
	XEROX	D35; LARGE FORMAT DISPLAY
	XEROX	G58; 1536 KB MEMORY FOR WORKSTATIONS
	XEROX	D84; STANDARD WORKSTATION SOFTWARE
	XEROX	M34; EXTENDED LANGUAGE OPTION
	XEROX	M35; * JAPANESE TABLEWARE
	XEROX	Mxx; * CHINESE TABLEWARE (EST.)
	XEROX	ETHERNET TRANSCEIVER
	XEROX	30' DROP CABLE

ESL
A Subsidiary of TRW

FBIS-WIRE SERVER COMPONENTS



<u>ESL BUREAU ITEM DESCRIPTION</u>	<u>VENDOR</u>	<u>VENDOR'S DESCRIPTION</u>
WIRE SERVER		
	IBM	5170-099; ENHANCED PC AT, MODEL 99
	IBM	5170-0205; 20 MB FIXED DISK
	XEROX	EIB; ETHERNET INTERFACE BOARD & SOFTWARE
	IBM	5170-4900; MONOCHROME DISPLAY/PR. ADAPTER
	IBM	5151-001; MONOCHROME DISPLAY
	IBM	5150-1200; ENHANCED GRAPHICS ADAPTER
	IBM	5170-0215; SERIAL/PARALLEL ADAPTER
	IBM	5170-0217; SERIAL ADAPTER CABLE
	ECI	CHARACTER GENERATOR & SOFTWARE
	IBM	5150-0235; 50' CABLING SEGMENT
	IBM	5170-4211; DOS 3.1

ESL
A Subsidiary of TRW

FBIS-COMMUNICATIONS SERVER COMPONENTS



<u>ESL BUREAU ITEM DESCRIPTION</u>	<u>VENDOR</u>	<u>VENDOR'S DESCRIPTION</u>
COMM SERVER		
	IBM	5170-099; ENHANCED PC AT, MODEL 99
	XEROX	EIB; ETHERNET INTERFACE BOARD & SOFTWARE
	IBM	5170-4900; MONOCHROME DISPLAY/PR. ADAPTER
	IBM	5151-001; MONOCHROME DISPLAY
	ANALYTIC	TLC-100; TELECOMMUNICATIONS LINE CONTR.
	IBM	5170-0215; SERIAL/PARALLEL ADAPTER
	IBM	5170-0217; SERIAL ADAPTER CABLE
	IBM	5150-0235; 50' CABLING SEGMENT
	IBM	5170-4211; DOS 3.1

ESL
A Subsidiary of TRW

FBIS-PRINT SERVER COMPONENTS



<u>ESL BUREAU ITEM DESCRIPTION</u>	<u>VENDOR</u>	<u>VENDOR'S DESCRIPTION</u>
PRINT SERVER		
	XEROX	T22; NETWORK SYSTEMS PROCESSOR
	XEROX	H87; 42 MB RIGID DISK DRIVE
	XEROX	T23; DISPLAY/KEYBOARD SERVER MONITOR
	XEROX	909; ELECTRONIC PRINTER
	XEROX	H74; STANDARD SERVICES SOFTWARE
	XEROX	H73; PRINT SERVICES SOFTWARE
	XEROX	F01; CLASSIC FONT SOFTWARE
	XEROX	F04; MODERN FONT SOFTWARE
	XEROX	M37; * JAPANESE CLASSIC FONTS
	XEROX	Mxx; * CHINESE CLASSIC FONTS (EST.)
	XEROX	ETHERNET TRANSCEIVER
	XEROX	30' DROP CABLE

ESL
A Subsidiary of TRW

FBIS-FILE SERVER COMPONENTS



<u>ESL BUREAU ITEM DESCRIPTION</u>	<u>VENDOR</u>	<u>VENDOR'S DESCRIPTION</u>
FILE SERVER		
	IBM	5170-099; ENHANCED PC AT, MODEL 99
	SUNOL	UMS; 92 MB FIXED DISK
	SUNOL	DISK INTERFACE
	IDT	TD-1012; STREAMING TAPE DRIVE
	XEROX	EIB; ETHERNET INTERFACE BOARD & SOFTWARE
	IBM	5170-4900; MONOCHROME DISPLAY/PR. ADAPTER
	IBM	5151-001; MONOCHROME DISPLAY
	IBM	5150-0235; 50' CABLING SEGMENT
	IBM	5170-4211; DOS 3.1

ESL
A Subsidiary of TRW

FBIS-LAN NETWORK COMPONENTS



<u>ESL BUREAU ITEM DESCRIPTION</u>	<u>VENDOR</u>	<u>VENDOR'S DESCRIPTION</u>
LAN	XEROX	1,000' ETHERNET NETWORK CABLE
	XEROX	NETWORK TERMINATORS (2 NEEDED)

ESL
A Subsidiary of TRW

FBIS-IP/S CONFIGURATION(1 OF 3)

TRW

BUREAU:	ABIDJAN	AUSTRIAN	BANGKOK	GULF	HONG KONG	JORDAN
<u>ITEM DESCRIPTIONS</u>						
LAN NETWORK:						
LAN	1	1	1	1	1	1
NETWORK SERVERS:						
PRINT SERVER	2	2	2	2	2	2
WIRE SERVER	4	4	5	3	2	4
COMM SERVER	2	2	2	2	2	2
FILE SERVER	3	3	3	3	3	3
PC WORKSTATIONS:						
MONITORS' W/S	10	26	23	12	26	8
EDITORS' W/S	2	4	5	2	5	2
ADMIN. W/S	2	3	4	2	3	3
ENG/TECH W/S	1	1	1	1	1	1
	<u>15</u>	<u>34</u>	<u>33</u>	<u>17</u>	<u>35</u>	<u>14</u>
MULTI-LINGUAL W/S:						
WORKSTATIONS	1	2	2	1	3	1

ESL
A Subsidiary of TRW

FBIS-IP/S CONFIGURATION (2 OF 3)



BUREAU:	KEY WEST	LONDON	PMU	NICOSIA	OKINAWA	PANAMA
<u>ITEM DESCRIPTIONS</u>						
LAN NETWORK:						
LAN	1	1	0	1	1	1
NETWORK SERVERS:						
PRINT SERVER	2	3	0	2	2	2
WIRE SERVER	2	0	0	2	9	4
COMM SERVER	2	2	0	2	2	2
FILE SERVER	3	3	0	3	3	3
PC WORKSTATIONS:						
MONITORS' w/s	5	5	17	14	27	14
EDITORS' w/s	0	10	5	3	8	4
ADMIN. w/s	2	6	1	2	8	4
ENG/TECH w/s	1	1	0	1	1	1
	<u>8</u>	<u>22</u>	<u>23</u>	<u>20</u>	<u>44</u>	<u>23</u>
MULTI-LINGUAL w/s:						
WORKSTATIONS	1	1	2	1	3	1

ESL
A Subsidiary of TRW

FBIS-IP/S CONFIGURATION (3 OF 3)



BUREAU:	PARAGUAY	SEOUL	SWAZILAND	TEL AVIV
<u>ITEM DESCRIPTIONS</u>				
LAN NETWORK:				
LAN	1	1	1	1
NETWORK SERVERS:				
PRINT SERVER	2	2	2	2
WIRE SERVER	3	2	1	2
COMM SERVER	2	2	2	2
FILE SERVER	3	3	3	3
PC WORKSTATIONS:				
MONITORS' W/S	11	13	8	11
EDITORS' W/S	2	2	2	2
ADMIN. W/S	2	2	2	3
ENG/TECH W/S	1	1	1	1
	<u>16</u>	<u>18</u>	<u>13</u>	<u>17</u>
MULTI-LINGUAL W/S:				
WORKSTATIONS	1	1	1	1

ESL
A Subsidiary of TRW

FBI - "AVERAGE" BUREAU IP/S CONFIGURATION



<u>ITEM DESCRIPTIONS</u>	<u>TOTAL # OF UNITS</u>	<u>AVERAGE # OF UNITS</u>
LAN NETWORK:		
LAN	15	1
NETWORK SERVERS:		
PRINT SERVER	31	2
WIRE SERVER	47	3
COMM SERVER	30	2
FILE SERVER	45	3
PC WORKSTATIONS:		
MONITORS' w/s	230	14
EDITORS' w/s	58	4
ADMIN. w/s	49	3
ENG/TECH w/s	15	1
	<u>352</u>	<u>22</u>
MULTI-LINGUAL w/s:		
WORKSTATIONS	23	1

NOTE: PANAMA AND LONDON (MINUS PMU TERMINALS) BUREAUS APPROXIMATE THE AVERAGE-SIZED CONFIGURATION

ESL

A Subsidiary of TRW

FBIS-COLLECTION SUBSYSTEM SOFTWARE EFFORT



<u>SOFTWARE DESCRIPTION</u>	<u>ESTIMATED LOC</u>
0 CRUISING	
- OPERATOR INTERFACE	250
- DEVICE CONTROL	1,000
- LOGGING	500
- GRAPHICS PRESENTATIONS	1,000
	<u>2,750</u>
0 COLLECTION	
- OPERATOR INTERFACE	250
- SCHEDULER	500
- RESOURCE ALLOCATION	250
- HARDWARE CONTROL	1,500
	<u>2,500</u>

ESL

A Subsidiary of TRW

FBIS-PROCESSING SUBSYSTEM SOFTWARE EFFORT

<u>SOFTWARE DESCRIPTION</u>	<u>ESTIMATED LOC</u>
0 WIRE PROCESSING	
- OPERATOR INTERFACE	250
- LINE INTERFACE	250
- CHARACTER FORMAT CONVERSION	500
- ITEM RECEPTION	250
- FILE STORAGE	500
- WIRE RECEIPT LOGGING	500
* PRODUCE VARIATIONS FOR EACH OF 84 WIRES (1,000 * 84 * AVERAGE 5% MODIFICATION)	4,200
	<u>6,450</u>
0 COMM. PROCESSING	
- OPERATOR INTERFACE	250
- FILE FORMAT CONVERSION	750
- DISSEMINATION LIST PROCESSING	500
- MESSAGE FORMATTING	1,000
- CHARACTER FORMAT CONVERSION	1,000
- LINE INTERFACE	250
- FILE STORAGE	500
- COMMUNICATIONS LOGGING	750
- INTERNAL DISSEMINATION	500
- DIGITAL FILE FORMAT CONVERSION	250
- PRODUCE VARIATIONS FOR EACH OF 4 PROTOCOLS (2,250 * 4 * AVERAGE 15% MODIFICATION)	1,350
	<u>7,100</u>

ESL

A Subsidiary of TRW

FBIS-PROCESSING SUBSYSTEM SOFTWARE EFFORT**TRW**

<u>SOFTWARE DESCRIPTION</u>	<u>ESTIMATED LOC</u>
0 DATA BASE SERVICES	
- STORAGE MANAGEMENT	2,500
- ARCHIVE MANAGEMENT	750
- USER INTERFACE ('RECORD KEEPER')	1,000
	<u>4,250</u>
0 PRINT SERVICES	
- WORD PROCESSOR FILE FORMAT CONVERSION	750
- MULTILINGUAL FILE FORMAT CONVERSION	1,250
	<u>2,000</u>
0 TEXT PROCESSING	
- EDIT/TRACE ENHANCEMENTS TO XYWRITE	1,000
- MODIFICATIONS TO ECI SOFTWARE	250
- MENU	500
	<u>1,750</u>
0 ADMIN/AUTOMATION	
- PERSONNEL/COVERAGE SCHEDULING	1,500
- USER INTERFACE ('TASK KEEPER')	500
	<u>2,000</u>

ESL
A Subsidiary of TRW

FBIS—TOTAL SOFTWARE EFFORT



<u>SOFTWARE DESCRIPTION</u>	<u>ESTIMATED LOC</u>
0 CRUISING	2,750
0 COLLECTION	2,500
0 WIRE PROCESSING	6,450
0 COMM. PROCESSING	7,100
0 DATA BASE SERVICES	4,250
0 PRINT SERVICES	2,000
0 TEXT PROCESSING	1,750
0 ADMIN/AUTOMATION	2,000
	<u>28,800</u>

itw

ESL
A Subsidiary of TRW

FBIS-IP/S ARCHITECTURE TRADES SUMMARY



<u>No-Host</u>	<u>DUAL-Host</u>	<u>DC-Host</u>
+ PERMITS INTEGRATED MULTILINGUAL CAPABILITIES	- MULTILINGUAL CAPABILITIES RESTRICTED	- MULTILINGUAL CAPABILITIES RESTRICTED
+ BUILT-IN REDUNDANCY	+ NON-STOP OPERATION	- RELIES ON COMM LINK
+ LOW RISK	+ NO RISK FOR MANY FUNCTIONS	+ NO RISK FOR MANY FUNCTIONS
+ LOWEST COST	- RELATIVELY EXPENSIVE	- EXPENSIVE COMM COSTS
+ SIMPLE TO MAINTAIN	- REQUIRES SKILLED TECHNICAL	+ SIMPLE TO REPAIR
+ MINIMAL FACILITIES REQUIRED	- REQUIRES COMPUTER ROOM	+ LEAST FACILITIES REQUIRED
+ OFFICE AUTOMATION SOFTWARE AVAILABLE	- LIMITED OFFICE SOFTWARE AVAILABLE	- LIMITED OFFICE SOFTWARE AVAILABLE
- REQUIRES EDIT/TRACE DEVELOPMENT	+ EDIT/TRACE AVAILABLE	+ EDIT/TRACE AVAILABLE
- DIFFERENT EDITORIAL SYSTEM THAN D.C.	+ SAME AS IN D.C.	+ SAME AS IN D.C.
- REQUIRES MOST DEVELOPMENT EFFORT	- ISSUES WITH VENDOR ON SOFTWARE INTEGRATION	- ISSUES WITH VENDOR ON SOFTWARE INTEGRATION

ESL
A Subsidiary of TRW

FBIS-RECORDING METHODS COMPARISON

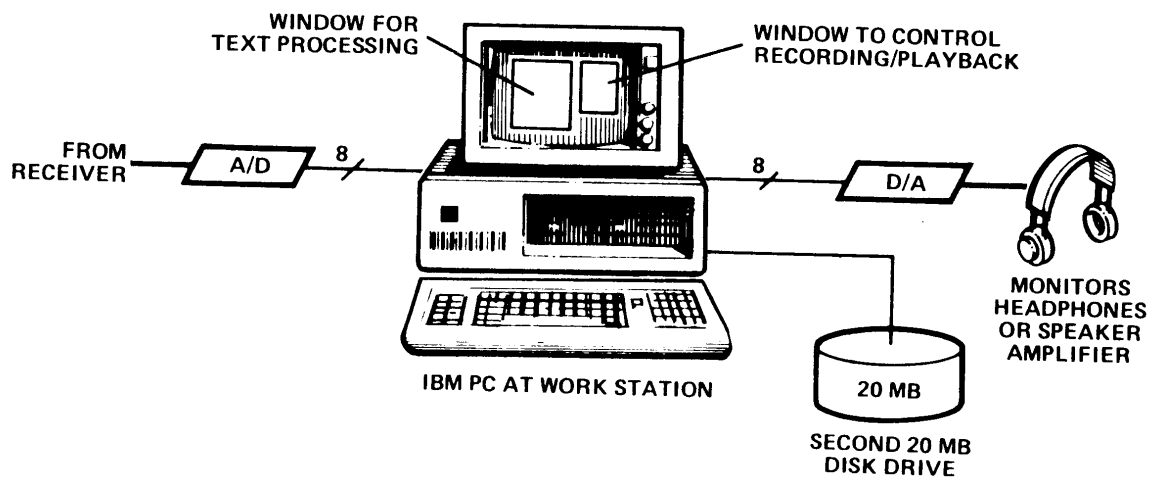


- | <u>DIGITAL</u> | <u>MAGNETIC</u> |
|--|--|
| + ELECTRONIC DISTRIBUTION MADE DIRECTLY TO EACH MONITOR | + ELECTRONIC DISTRIBUTION MADE DIRECTLY TO EACH MONITOR |
| - DISTRIBUTION MUST BE MADE AT BROADCAST TIME TO A MONITOR | * + PERMITS BOARDMAN TO MAKE RECORDINGS |
| - NOT PRACTICAL TO TRANSFER RECORDINGS BETWEEN MONITORS | * + ALLOWS FLEXIBILITY IN THE ASSIGNMENT OF TRANSLATIONS |
| + POSSIBLE TO SIMULTANEOUSLY BOTH RECORD AND PLAYBACK | - REQUIRES TWO RECORDERS FOR THIS |
| - 20 MB Disk FILLED IN 20 MINS. | + CAN RECORD LENGTHY BROADCASTS |
| - REQUIRES SIGNIFICANT MANAGEMENT OF DISK SPACE BY MONITOR | - MONITOR MANAGES HIS SET OF DAILY CASSETTES |
| + PERMITS AUTOMATIC TIME STAMPING | + TIME CODE (& READER) PROVIDED |
| + ALLOWS INTEGRATION OF TIME CODES INTO WORD PROCESSOR | - MONITOR TYPES IN INFORMATION |
| - SOMEWHAT HIGHER EQUIPMENT COSTS | + RANGE OF COST OPTIONS AVAILABLE |
| - IMPLEMENTATION POSES PERFORMANCE RISKS | * + NO RISK |
| - NECESSITATES COLLECTION SOFTWARE AT MONITOR'S PC WORKSTATION | - OPERATOR MUST CHANGE TAPES |

* = DECIDING FACTORS

ESL
A Subsidiary of TRW

FBIS - PERSONAL DIGITAL RECORDING SCHEME



ESL
A Subsidiary of TRW

FBIS-RISKS

TRW

0 PERFORMANCE RISKS:

- COMPATIBILITY OF ECI FOREIGN LANGUAGE STORAGE FORMATS WITH XEROX ACCEPTABLE PRINT FORMATS
- ABILITY TO CONVERT FOREIGN LANGUAGE WIRE CHARACTER FORMATS COMPATIBLE WITH ECI STORAGE FORMATS, FOR ALL LANGUAGES

0 COST RISKS:

- EDIT/TRACE AVAILABILITY IN AN ELEGANT FORM
- EASE OF INTEGRATION OF SOFTWARE FROM VARIOUS VENDORS

ESL
A Subsidiary of TRW

FBIS-OPEN DESIGN ISSUES

TRW

- 0 IMPACT OF TBD REMOVALS
- 0 USEABILITY OF GFE EQUIPMENT
 - NEED FOR REPLACEMENT DUE TO AGE OR MAINTAINABILITY
 - NEED FOR "EXTRA" EQUIPMENT, SUCH AS SPEAKERS & HEADPHONES
 - EQUIPMENT DIFFERENCES FROM BUREAU TO BUREAU
- 0 VALIDITY OF ASSUMPTIONS
 - COLLECTION & PROCESSING EQUIPMENT CONFIGURATIONS
 - RS-232-LIKE PROTOCOLS FOR PRESS AGENCY WIRES

ESL
A Subsidiary of TRW

FBIS-OPEN OPERATIONAL ISSUES

TRW

- 0 WHO WILL FUNCTION AS A 'BOARDMAN' IN BUREAUS CURRENTLY WITHOUT ONE:
 - NEED TO MONITOR COLLECTION OPERATION, EVEN IF RECEIVERS & RECORDERS ARE SITUATED WITH MONITORS
 - NEED TO SET UP COLLECTION SCHEDULE IN CONTROLLER

- 0 WHICH BUREAU PERSONNEL ARE BEST SUITED TO BE ASSIGNED THE DUTIES OF SYSTEM ADMINISTRATOR:
 - DEFINING USERS & CONTROLLING NETWORK SECURITY
 - MANAGING NETWORK CONFIGURATION

- 0 WHICH PERSONNEL SHOULD BE RESPONSIBLE FOR SYSTEM OPERATION:
 - PERFORM BACKUP, ARCHIVE, AND ARCHIVE RETRIEVAL FUNCTIONS
 - MANAGE DISK SPACE
 - RESTORE OPERATION AFTER HARDWARE FAILURE
 - BE AVAILABLE ON EACH OPERATIONAL SHIFT

ESL
A Subsidiary of TRW

FBIS-SUMMARY-DESIGN BENEFITS

TRW

THE ESL DESIGN PROVIDES FOR SIGNIFICANT
IMPROVEMENTS IN ALL BUREAU OPERATIONS

- 0 TOTALLY AUTOMATIC SPECTRUM SEARCH AND OBSERVANCE RECORDING ALLOW CRUISER TO PERFORM THOROUGH SEARCHES
- 0 AUTOMATED BROADCAST COLLECTION AND ARCHIVE TO STREAMLINE BOARDMAN/MONITORS' ACTIVITIES
- 0 COLLECTION OF WIRE SERVICES IN SOFTCOPY PROVIDES:
 - AUTOMATED LOGGING OF PRESS AGENCY ITEM RECEIPTS
 - DIRECT FILING OF ITEMS FROM ENGLISH-LANGUAGE SOURCES
- 0 SOFTCOPY MONITORS' & EDITORS' WORKSTATIONS EXPEDITE THE FLOW OF BUREAU TRAFFIC
 - FASTER, EASIER TYPING OF TRANSLATIONS
 - ELIMINATES PAPER HANDLING AND ASSOCIATED DELAYS
- 0 AUTOMATED COMMUNICATIONS ELIMINATE NEED TO RE-KEY TRANSMITTED ITEMS AND SPEEDS UP DISSEMINATION
- 0 MULTI-LINGUAL AND ONLINE REFERENCE AIDS SUPPORT MONITORS' TRANSLATION ACTIVITIES
- 0 OFFICE AUTOMATION SUPPORT REDUCES THE EFFORT TO PERFORM BUREAU ADMINISTRATION AND PROVIDES BETTER MANAGEMENT INFORMATION
- 0 DATA BASE SERVICES MANAGE THE COLLECTION OF DATA INPUT AND PRODUCED BY EACH BUREAU

ESL
A Subsidiary of TRW

FBIS-DESIGN SUMMARY



- THE DESIGN CONCEPT PHASE HAS DEMONSTRATED THAT THE
FBIS MODERNIZATION REQUIREMENTS CAN BE REALIZED
- 0 CONCEPTUAL DESIGN PROVES THE FEASIBILITY OF APPROACH
 - 0 DESIGN PROVIDES COMPREHENSIVE PROCUREMENT COST ESTIMATES
 - 0 THE CONCEPTUAL DESIGN ESTABLISHES A FIRM FOUNDATION
FOR THE DETAILED DESIGN PROCESS AND COST/BENEFIT TRADEOFFS
 - 0 IMPLEMENTATION OF THE DESIGN IS ACHIEVABLE WITH LOW RISKS
 - 0 DESIGN IS VERY OPERABLE -- VERY LOW OPERATIONAL RISKS
 - 0 DESIGN IS ALSO MAINTAINABLE: EMPLOYS PROVEN TECHNOLOGIES,
REDUNDANCY, AND SIMPLE RESTORATION PROCEDURES

Declassified and Approved For Release 2012/05/31 : CIA-RDP88-00218R000300030001-0

ESL
A Subsidiary of TRW

TRW

5. HEADQUARTERS DESIGN AND OPS CONCEPT

30
301
- 2014

Declassified and Approved For Release 2012/05/31 : CIA-RDP88-00218R000300030001-0

Declassified and Approved For Release 2012/05/31 : CIA-RDP88-00218R000300030001-0

ESL
A Subsidiary of TRW

FBIS—HEADQUARTERS

TRW

- o OVERALL DESIGN
- o DAILY OPERATIONS SUBSYSTEM
- o TRANSLATION SERVICES SUBSYSTEM
- o ANALYTICAL SERVICES SUBSYSTEM
- o DESIGN SUMMARY
- o OPERATIONS CONCEPT
- o SUMMARY

Declassified and Approved For Release 2012/05/31 : CIA-RDP88-00218R000300030001-0

ESL
A Subsidiary of TRW

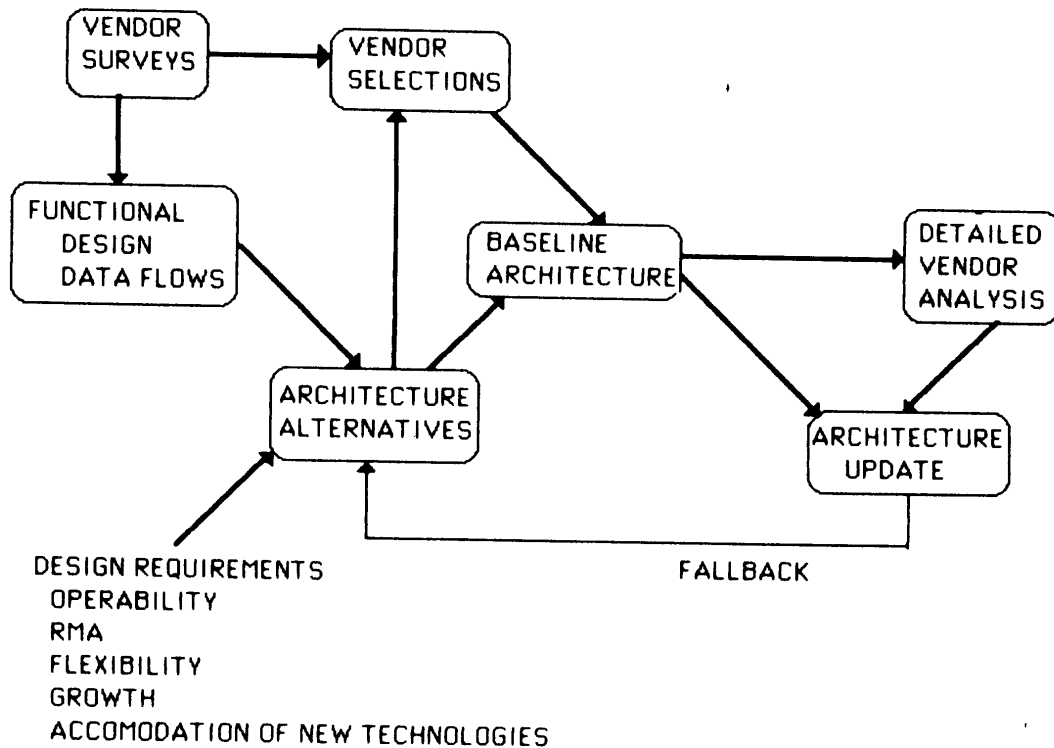
FBIS-HEADQUARTERS

TRW

- > o OVERALL DESIGN
 - PROCESS
 - ARCHITECTURE
 - INTERFACE
 - TRADEOFFS
- o DAILY OPERATIONS SUBSYSTEM
- o TRANSLATION SERVICES SUBSYSTEM
- o ANALYTICAL SERVICES SUBSYSTEM
- o DESIGN SUMMARY
- o OPERATIONS CONCEPT
- o SUMMARY

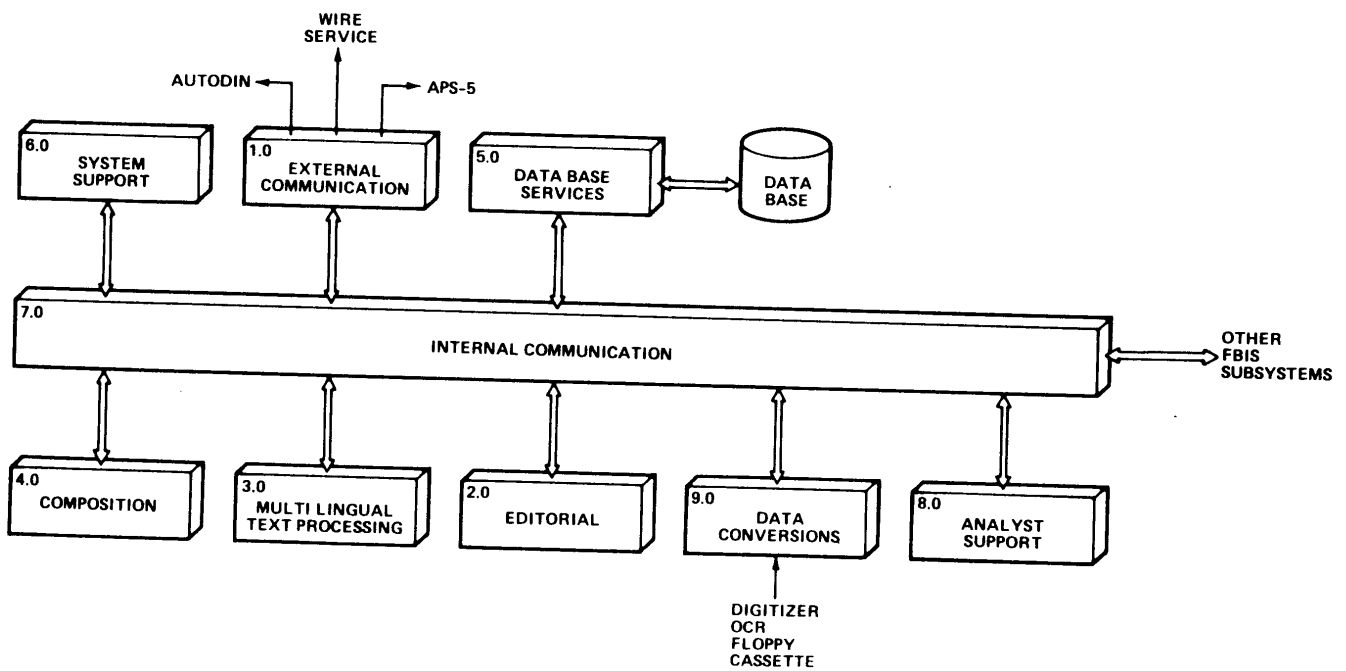
ESL
A Subsidiary of TRW

FBIS-DESIGN PROCESS



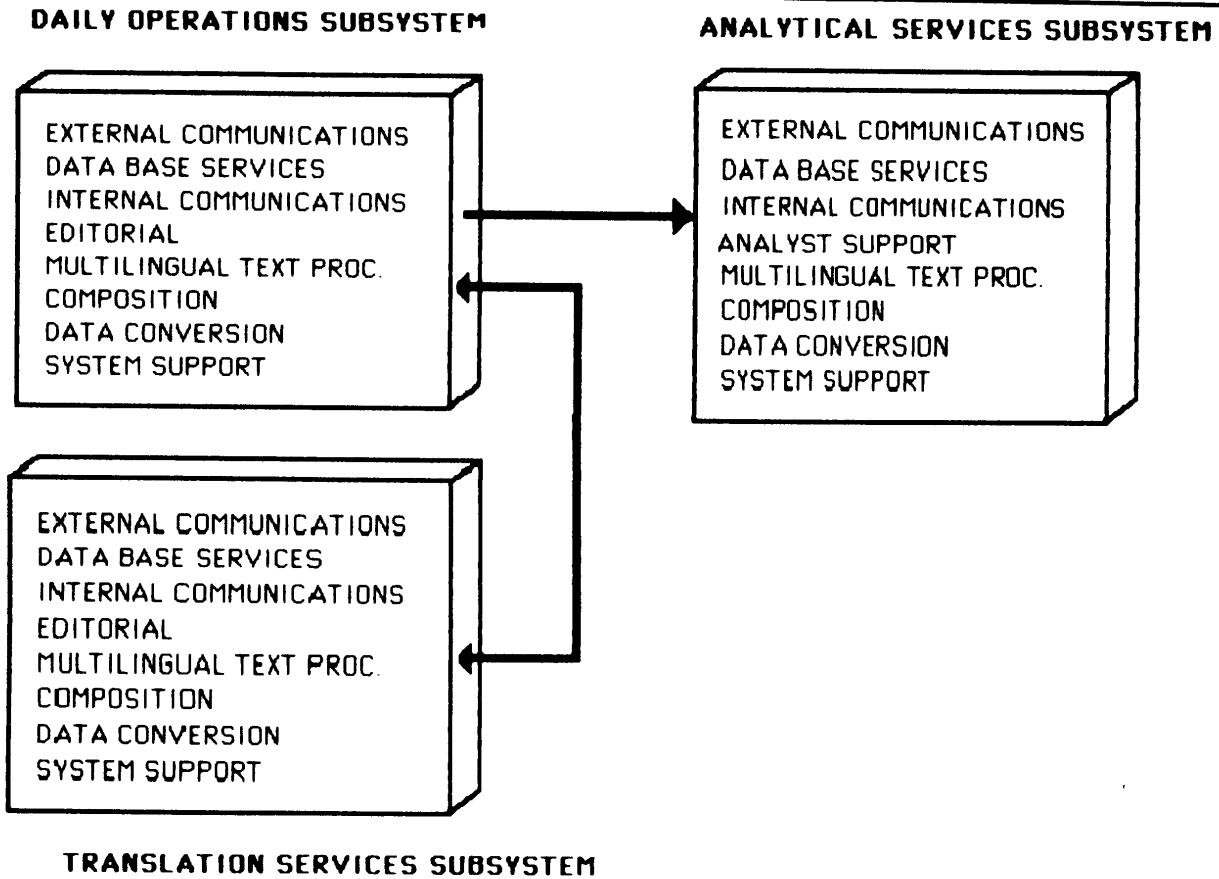
ESL
A Subsidiary of TRW

FBIS-GENERIC FUNCTIONAL STRUCTURE



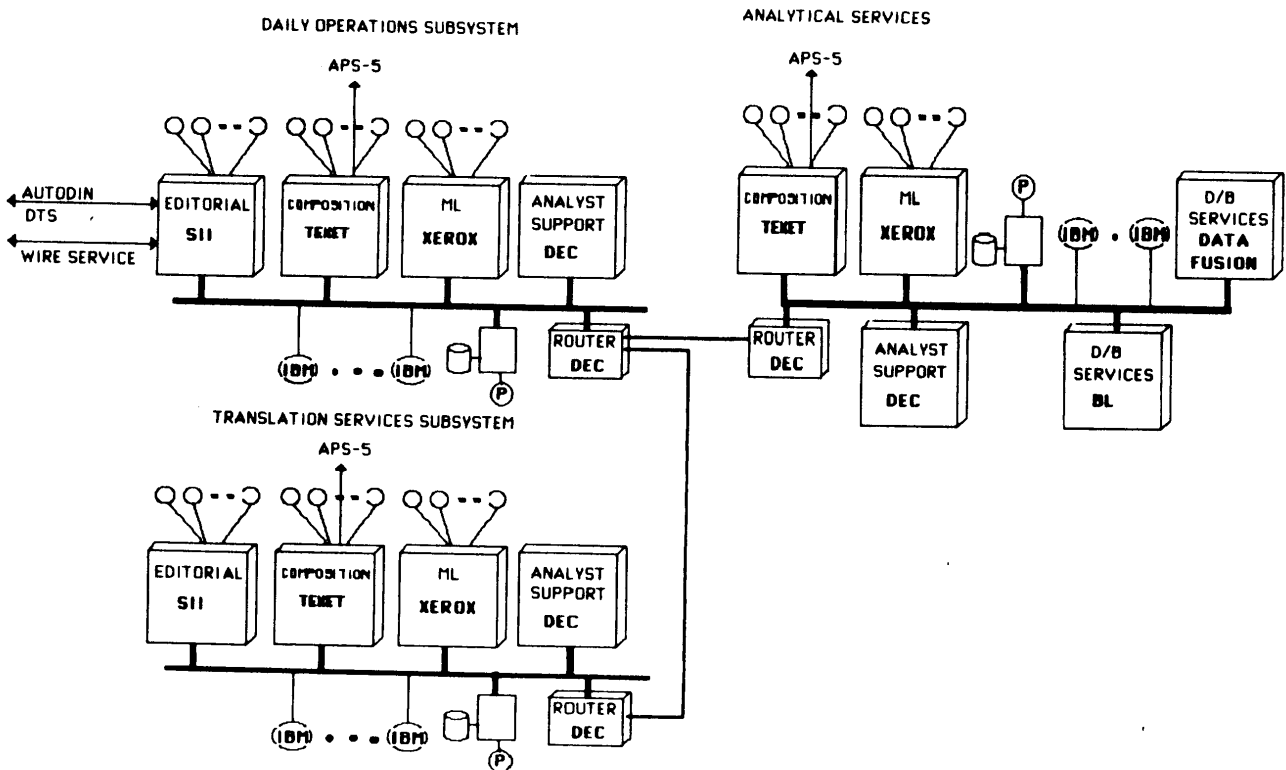
ESL
A Subsidiary of TRW

FBIS-SUBSYSTEM FUNCTIONAL ALLOCATION



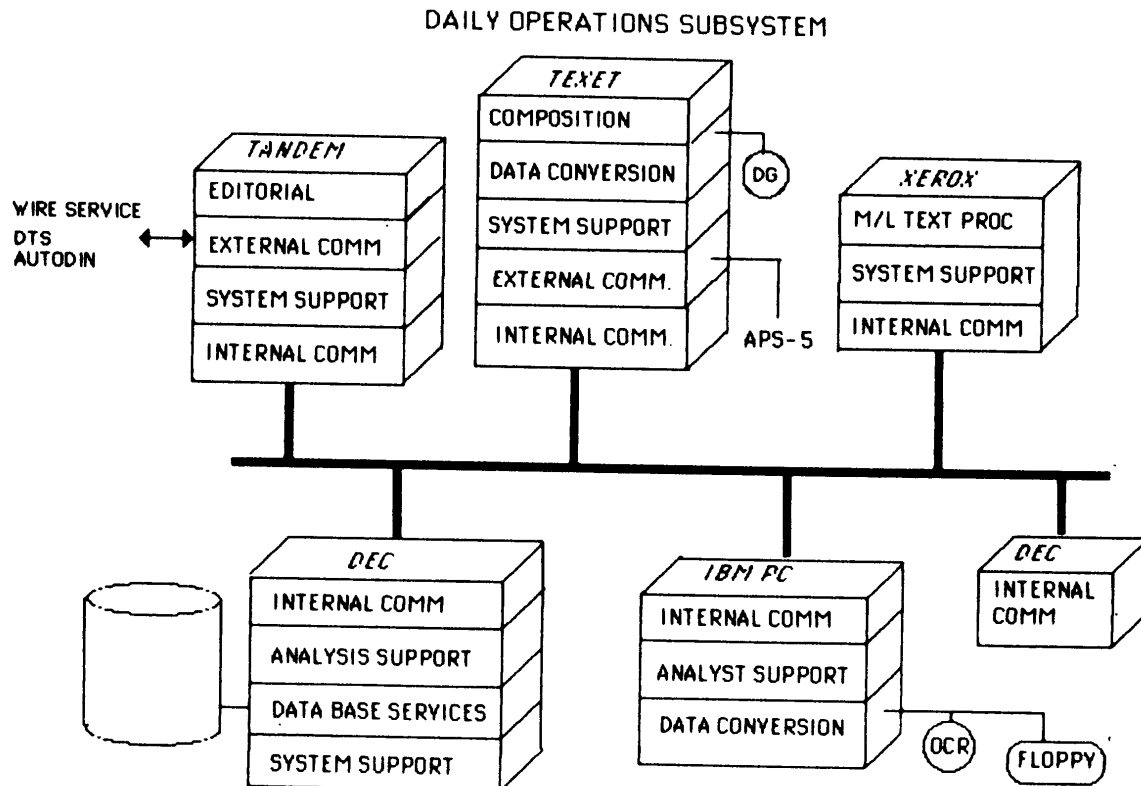
ESL
A Subsidiary of TRW

FBIS-BASELINE ARCHITECTURE OVERVIEW



ESL
A Subsidiary of TRW

FBIS—MAPPING OF FUNCTIONS TO HARDWARE

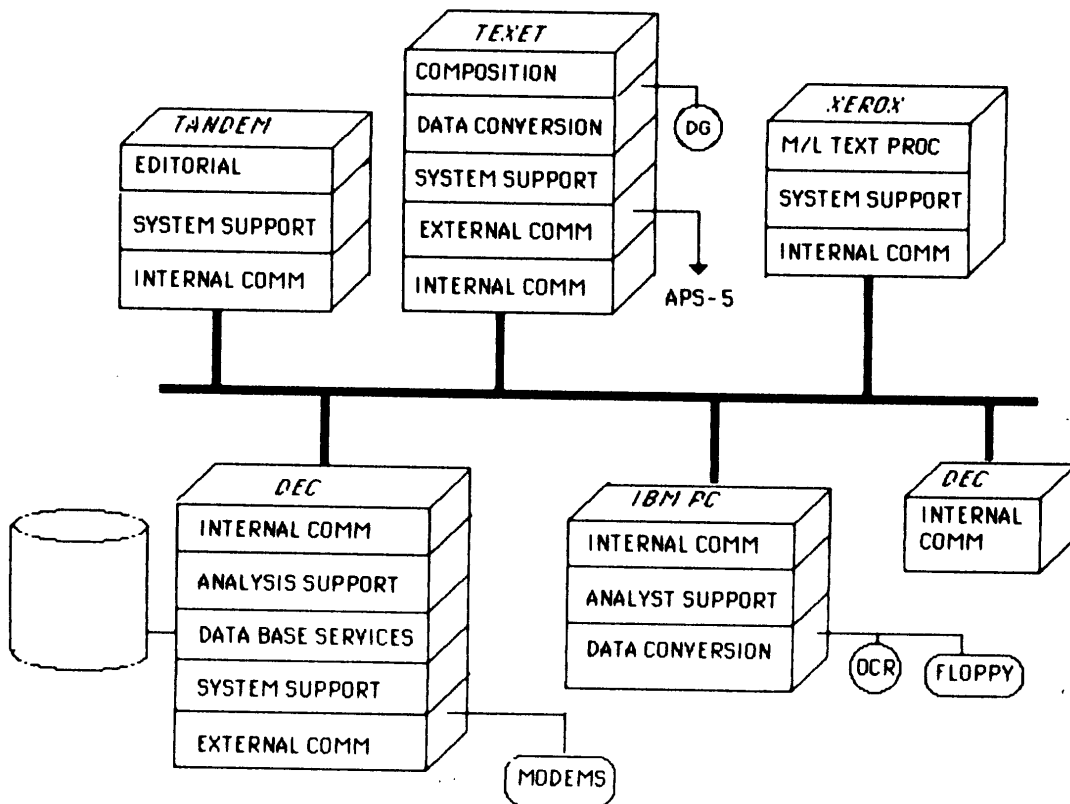


ESL
A Subsidiary of TRW

FBIS - MAPPING OF FUNCTIONS TO HARDWARE



TRANSLATION SERVICES

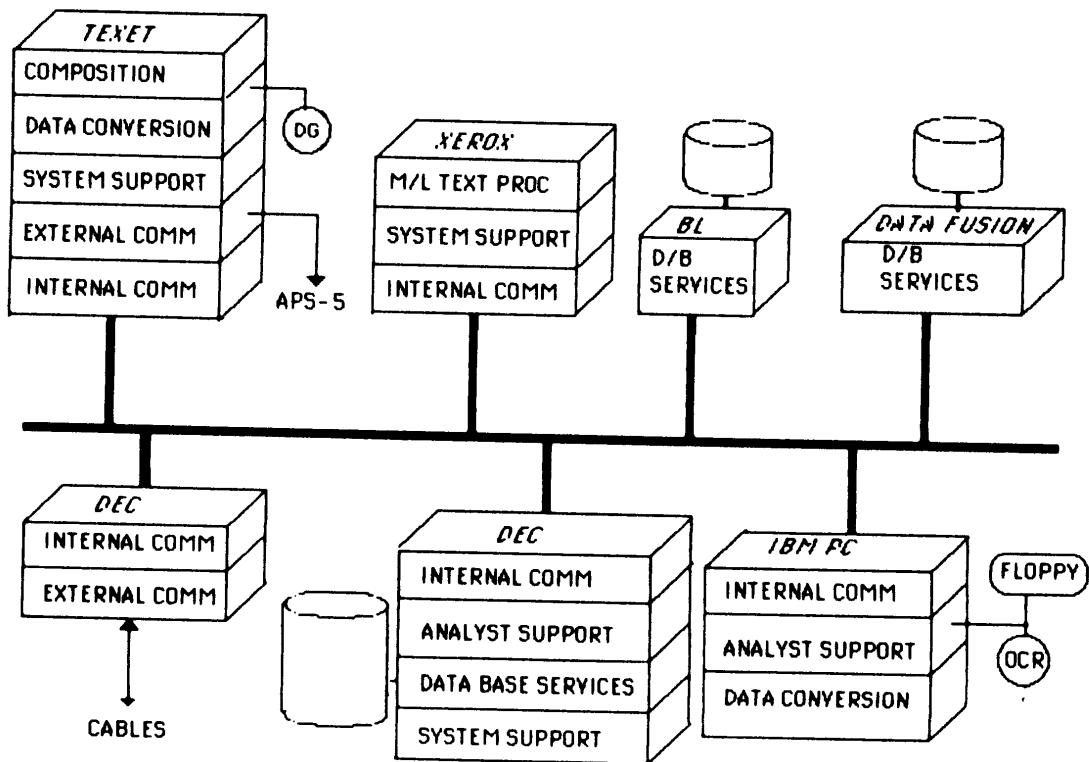


ESL
A Subsidiary of TRW

FBIS - MAPPING OF FUNCTIONS TO HARDWARE

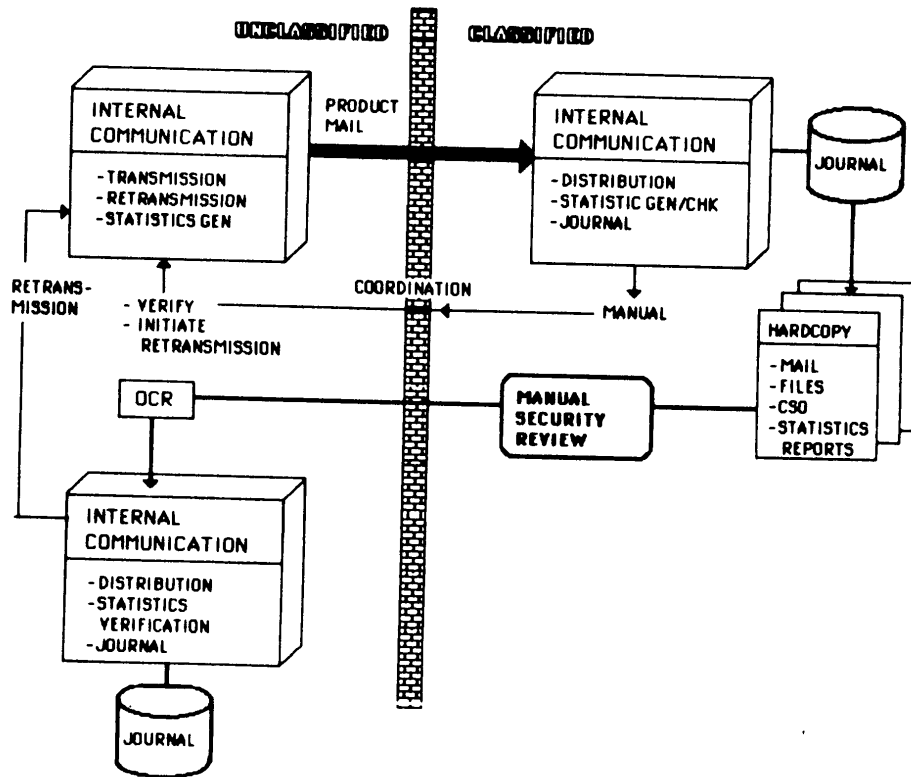


ANALYTICAL SERVICES



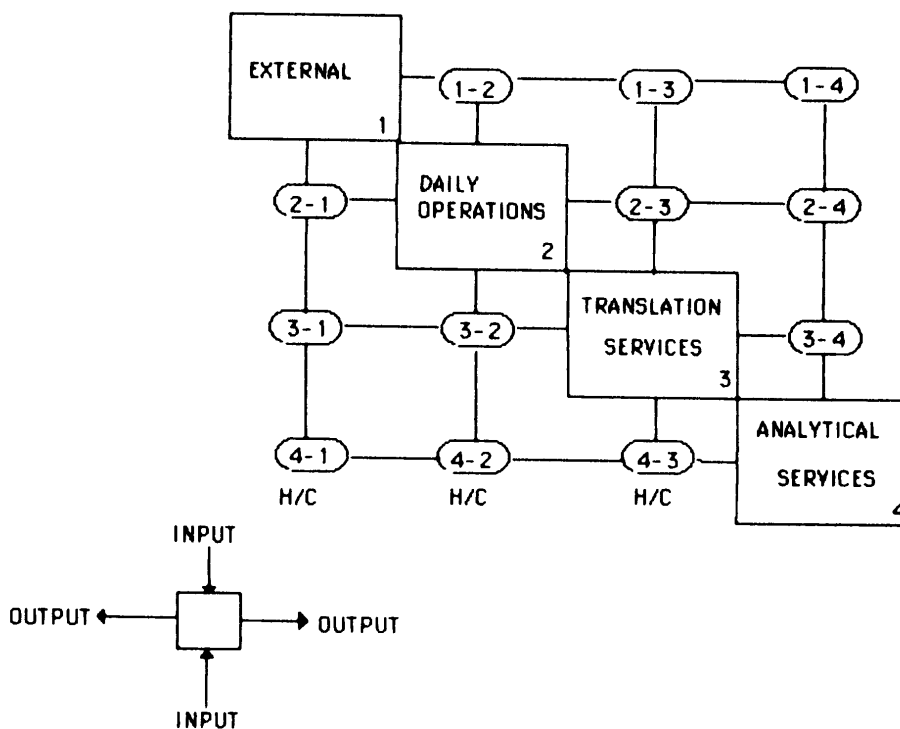
ESL
A Subsidiary of TRW

FBIS—DESIGN CONCEPT FOR SECURITY INTERFACE



ESL
A Subsidiary of TRW

FBIS-SUBSYSTEM INTERFACES



ESL

A Subsidiary of TRW

FBIS—OVERALL DESIGN: N—SQUARED INTERFACES



<u>INTERFACE</u>	<u>MAJOR DATA PATH</u>
1-2	TRANSLATED COPIES UPDATES TO TECHNICAL FILES - CRUISING REQUESTS FOR SERVICES ADMINISTRATIVE TRAFFIC STATISTICS
1-3	CSO CARDS TRANSLATED MATERIALS - SOFTCOPY VIA MODEM, FLOPPIES, CASSETTE - HARDCOPY QUERIES FOR ASSISTENCE STATISTICS SOS CARDS
1-4	REQUIREMENTS REQUESTS FOR SPECIAL PROCESSING
2-1	WIRE SERVICE RESPONSE TO SPECIAL PROCESSING REQUESTS APS-5 OUTPUT
2-3	DAILY REPORT OVERFLOW ELECTRONIC MAIL

ESL

A Subsidiary of TRW

FBIS-OVERALL DESIGN: N-SQUARED INTERFACES (CONT'D)



<u>INTERFACE</u>	<u>MAJOR DATA PATH</u>
2-4	BUREAU ADMINISTRATIVE TRAFFIC TECHNICAL FILE UPDATES DAILY REPORT ARCHIVES DAILY REPORT OVERFLOW VIRTUAL 3-4 INTERFACE UPDATE MESSAGES FOR WORKSTATION MAINTAINED FILES PROCESS STATISTICS ELECTRONIC MAIL GRAPHICS SERVICE REQUESTS
3-1	MATERIAL TO BE TRANSLATED INSTRUCTION SHEETS CSO RESPONSE TO QUERIES GLOSSARIES NEWSLETTER TRANSLATION AIDS APS-5 OUTPUT
3-2	VIRTUAL 3-4 INTERFACE
3-4	SERIAL REPORTS FOR ARCHIVAL CSO STATUS UPDATES ELECTRONIC MAIL PROCESS STATISTICS

ESL

A Subsidiary of TRW

FBI--OVERALL DESIGN: N--SQUARED INTERFACES (CONT'D)



<u>INTERFACE</u>	<u>MAJOR DATA PATH</u>
4-1	RESPONSE TO SPECIAL REQUESTS
4-2	ADMINISTRATIVE MESSAGES TECHNICAL FILE UPDATES FOR BUREAUS - JSL - COVERAGE - CRUISING RESPONSE TO SERVICE REQUESTS GLOSSARIES
4-3	CSO CARDS MATERIAL FOR TRANSLATION GLOSSARIES (UPDATES) ADMINISTRATIVE MESSAGES TRANSLATION AIDS

Declassified and Approved For Release 2012/05/31 : CIA-RDP88-00218R000300030001-0

ESL
A Subsidiary of TRW

FBI—OVERALL DESIGN: KEY TRADEOFFS

TRW

- CRITICAL VENDOR SELECTION
- CLASSIFIED COMPUTER VENDOR SELECTION
- ANALYST WORKSTATION SELECTION
- CLASSIFIED WORKSTATION/HOST INTERCONNECT
- DATA BASE VENDOR SELECTION

Declassified and Approved For Release 2012/05/31 : CIA-RDP88-00218R000300030001-0

ESL
A Subsidiary of TRW

FBIS-EDITORIAL VENDOR TRADEOFF



	ATEX	CSI	PENTA	SII
LIFE CYCLE COSTS	1	1	3	3
HARDWARE	1	1	3	3
INTEGRATION	1	3	3	2
EDITORIAL SOFTWARE	5	2	1	5
COMPOSITION SOFTWARE	3	2	4	3
DATA REDUNDANCY	3	3	1	5

1 = POOR, 3 = AVERAGE, 5 = EXCELLENT

PRIMARY TRADEOFF CRITERIA:

LIFE CYCLE COSTS
EDITORIAL SOFTWARE

ESL
A Subsidiary of TRW

FBIS--SYSTEM INTEGRATORS, INC. FEATURES



- O UNLIMITED DIRECTORY AND LISTS
 - ASSIGNED TO SINGLE-KEY COMMANDS
 - CALL UP CROSS-REFERENCE DIRECTORIES
- O INCLUSIVE BASKETS AND DESKS
 - DEFINE ACCORDING TO PUBLICATION STRUCTURE
 - IMPROVE COPY FLOW
 - USER PROFILES
 - SORTING
- O USER-DEFINABLE FORMS AND TEMPLATES
 - FOR ENTERING ANY STRUCTURED INFORMATION
 - READ-ONLY OR INVISIBLE FIELDS
- O USER-VARIABLE SPLIT SCREEN
 - SIDE-BY-SIDE DISPLAY OF COPY OR DIRECTORIES
 - 1/2 x 1/2 OR 1/3 x 2/3 OR 2/3 x 1/3
- O CONTROLLED STORY AND PAGE RELEASING
 - ASSIGN RELEASE AUTHORITY IN USER PROFILE

ESL
A Subsidiary of TRW

FBIS—SYSTEM INTEGRATORS, INC. FEATURES (CONT'D)



- O AUTOMATIC COPIES FOR AUDIT TRAILS
 - COPY CREATED EACH TIME STORY IS EDITED
 - MAINTAINED IN HISTORICAL RECORD
 - REMAINS UNTIL STORY IS DELETED FROM SYSTEM
- O WORD PROCESSING
 - SPELLING CHECKER
 - USER-MAINTAINABLE DICTIONARY
- O EDIT TRACE
 - TEXT TYPES: DETAILED, MARKUP, AND NOTES
 - DISPLAY OPTIONS:
 - IN ENTIRETY, HIDDEN, HIDDEN WITH MARKER CHARACTER
 - ASSIGN ATTRIBUTES TO INSERTED TEXT
 - DISPLAY MODE SELECTABLE FOR TEXT TYPE
- O MESSAGES AND ALERTS
 - SEND TO SINGLE USER OR A GROUP
 - MESSAGES HELD UNTIL USER SIGNS ON
 - ESTABLISH ALERT GROUPS FOR BASKETS
- O AUTOMATIC DEPTH CALCULATION

ESL
A Subsidiary of TRW

FBIS—SYSTEM INTEGRATORS, INC. SHORTFALLS



- NO INTEGRATED TEXT AND GRAPHICS ALTERNATIVES
 - SII DEVELOPED PACKAGE
 - INDEPENDENT DEVELOPED AND INTEGRATED PACKAGE
 - COMPOSITION SYSTEM VENDOR
- SYSTEM INTEGRATION
 - TANDEM EXTERNAL INTERFACE

ESL
A Subsidiary of TRW

FBIS—SYSTEM INTEGRATORS, INC. SHORTFALLS



- NO INTEGRATED TEXT AND GRAPHICS
 - ALTERNATIVES
 - SII DEVELOPED PACKAGE
 - INDEPENDENT DEVELOPED AND INTEGRATED PACKAGE
 - COMPOSITION SYSTEM VENDOR

- SYSTEM INTEGRATION
 - TANDEM EXTERNAL INTERFACE

ESL
A Subsidiary of TRW

FBIS—COMPOSITION VENDOR TRADEOFF



	QUBIX	TEXET	VIEWTECH	XYVISION
WYSIWYG	5	4	2	4
LAN INTERFACE	3	4	2	1
TEXT INTERFACE	3	3	2	2
TARGET MARKET	1	3	2	3
HARDWARE	3	3	2	3

1 = POOR, 3 = AVERAGE, 5 = EXCELLENT

PRIMARY TRADEOFF: WYSIWYG
TARGET MARKET
INTERFACE

ESL
A Subsidiary of TRW

FBIS-TEXET PUBLISHING SYSTEM FEATURES



- o TEXT AND GRAPHICS
 - WORK WITH TEXT AND GRAPHICS TOGETHER
 - GRAPHICS INCLUDES: LINE ART AND HALFTONE PHOTOGRAPHS
 - WORK WITH COMPLETE PAGES
 - TRUE SIZE, STYLE, AND POSITION
- o PLAIN ENGLISH
 - NO TYPOGRAPHIC CODING
 - USE PLAIN ENGLISH MENUS
 - BUTTON OR MOUSE CONTROL

ESL
A Subsidiary of TRW

**FBIS-TEXET PUBLISHING
SYSTEM FEATURES (CONT'D)**



- o WHAT-YOU-SEE-IS-WHAT-YOU-GET (WYSIWYG)
 - FULLY INTERACTIVE
 - MOVE ILLUSTRATIONS, CHANGE TYPEFACE
 - SEE RESULTS IMMEDIATELY
- o PAGINATION
 - AUTOMATIC OR INTERACTIVE
 - FOOTNOTE PLACEMENT
 - RUNNING HEAD AND FEET PLACEMENT
 - WIDOW AND ORPHAN AVOIDANCE
 - TABLE OF EXCEPTION PAGES
 - ILLUSTRATION PLACEMENT BY "ANCHORS" IN TEXT
 - AUTOMATIC ASSOCIATION OF TITLE, LABELS, AND CAPTIONS WITH ILLUSTRATIONS
 - AUTOMATIC TABLE OF CONTENTS

ESL
A Subsidiary of TRW

FBIS-TEXET SHORTFALLS



- o TEXT INTERFACE
 - "FLAT FILE" FORMAT
 - GENERIC TEXT FILE FORMAT
 - SII TEXT FILE FORMAT

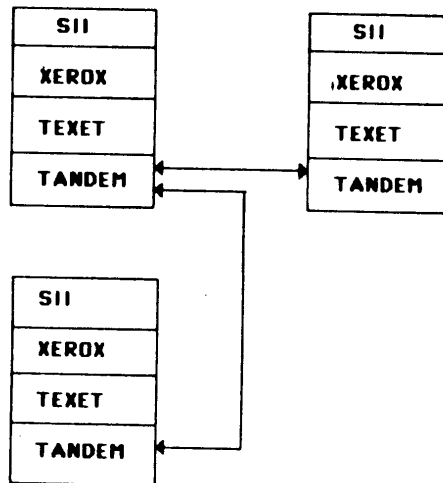
- o SYSTEM INTEGRATION
 - TEXET WORKSTATION HARDWARE
 - TCP/IP AND UNIX LOCAL AREA NETWORK INTERFACE
 - EXCELAN TDP/IP AND XNS LOCAL AREA NETWORK INTERFACE CARD

ESL
A Subsidiary of TRW

FBIS—ANALYTICAL SERVICES VENDOR SELECTION



APPROACH A



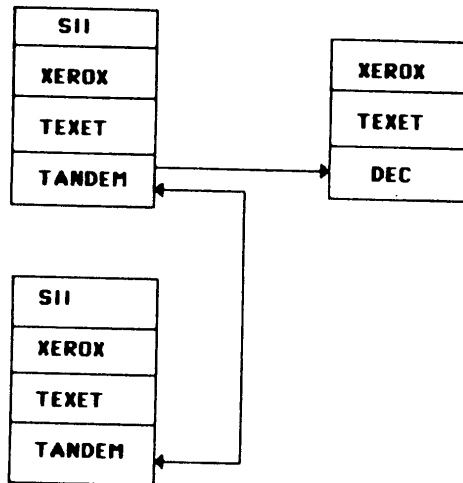
- PRO**
- EXCELLENT MULTI-PROCESSOR SUPPORT
 - MINIMIZE NUMBER OF VENDORS
- CON**
- NO NETWORK CAPABILITY
 - POOR S/W DEVELOPMENT ENVIRONMENT
 - ATTRIBUTE SEARCH (BL) DOES NOT INTERFACE WITH TANDEM
 - MINIMAL COMMERCIAL H/W AND S/W AVAILABLE

ESL
A Subsidiary of TRW

FBI - ANALYTICAL SERVICES VENDOR SELECTION



APPROACH B



PRO

- MORE FLEXIBILITY TO RESOLVE INTERFACES
- BETTER DEVELOPMENT ENVIRONMENT WHERE MAJORITY OF DEVELOPMENT WILL OCCUR
- CAN TAKE ADVANTAGE OF COMMERCIAL SOFTWARE/HARDWARE

CON

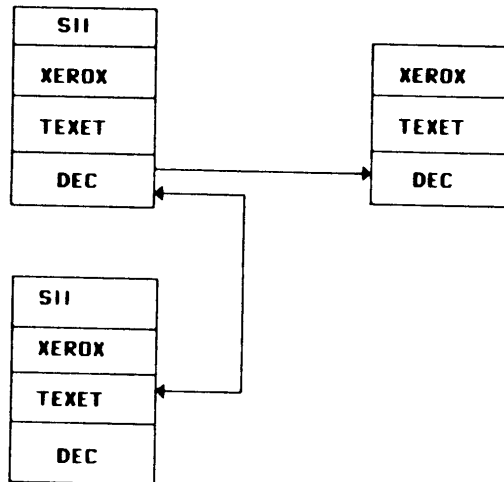
- INTRODUCES ADDITIONAL VENDOR
- DUPLICATE DEVELOPMENT OF SOFTWARE

ESL
A Subsidiary of TRW

FBIS—ANALYTICAL SERVICE VENDOR SELECTION



APPROACH C



PRO

- FLEXIBILITY IN RESOLVING INTERFACE ISSUES
- CAN TAKE ADVANTAGE OF MORE COMMERCIAL PACKAGES IN ALL THREE SUBSYSTEMS
- MINIMIZES DUPLICATION OF SOFTWARE DEVELOPMENT
- FEWER INTERFACES TO RESOLVE

CON

- ADDITIONAL VENDORS INTRODUCED INTO 2 SUBSYSTEMS
- ADDITIONAL HARDWARE

ESL
A Subsidiary of TRW

FBIS - ANALYST WORKSTATION SELECTION



ALPHANUMERIC TERMINALS

o **ADVANTAGES**

- SIMPLE HOST INTERFACE
- MOST HOST SOFTWARE IS STRUCTURED TO INTERFACE WITH ALPHANUMERIC TERMINALS
- LOW COST

o **DISADVANTAGES**

- NO STANDALONE CAPABILITY
- HIGH NETWORK AND HOST LOADING

ESL
A Subsidiary of TRW

FBIS-ANALYST WORKSTATION SELECTION (CONT'D)



INTELLIGENT WORKSTATIONS

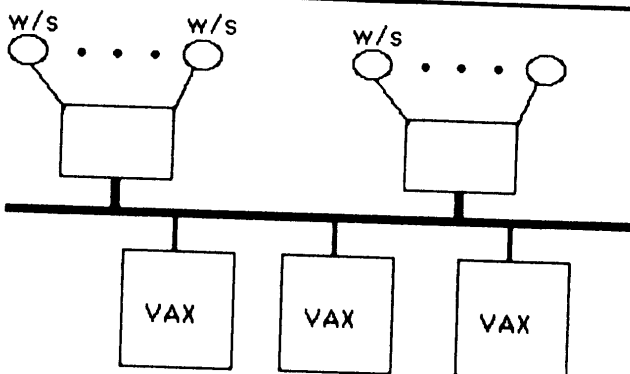
- O ADVANTAGES
 - STANDALONE CAPABILITY
 - MINIMIZE LOADING OF HOSTS
 - CONSTANT USER RESPONSE TIME
 - PROMOTES FLEXIBILITY IN CONFIGURATION
 - ABUNDANCE OF AVAILABLE SOFTWARE

- O DISADVANTAGES
 - INCREASED COMPLEXITY IN HOST INTERFACE
 - COST

- O WORKSTATION SELECTION: IBM PC
 - COMMONALITY WITH BUREAUS
 - TEMPEST-APPROVED VERSIONS ARE AVAILABLE

ESL
A Subsidiary of TRW

FBIS-WORKSTATION/HOST INTERCONNECT



PRO

- SUPPORTED IN DUMB TERMINAL MODE
- LOCAL CONCENTRATOR TRAFFIC LOAD NOT ON BACKBONE
- PRINTER SUPPORTED
- LESS COMPLEX NETWORK DESIGN

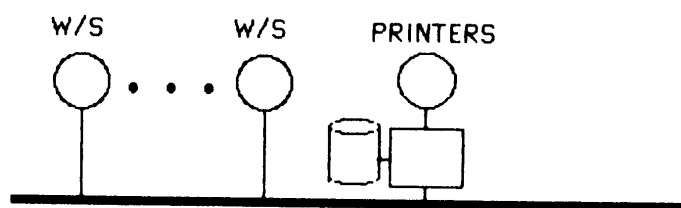
CON

- LIMITED FLEXIBILITY IN LOCATING TERMINALS
- INCREASED INSTALLATION TIME

ESL
A Subsidiary of TRW

FBIS—WORKSTATION/HOST INTERCONNECT

TRW



PRO

- MORE FLEXIBILITY
- ACCOMMODATES GROWTH EASILY

CON

- INCREASE COMPLEXITY IN TERMINAL SOFTWARE

ESL
A Subsidiary of TRW

FBIS—DATA BASE ARCHITECTURES: EVALUATION



	<u>SOFTWARE GENERAL PURPOSE</u>	<u>HARDWARE GENERAL PURPOSE</u>	<u>SOFTWARE LIBRARY/TEXT</u>	<u>HARDWARE TEXT SEARCH</u>
REQUIRED FUNCTIONALITY				
- DATA TYPES				
- ATTRIBUTE	YES	YES	PARTIAL YES	PARTIAL YES
- TEXT	DIFFICULT OR NO	DIFFICULT OR NO	YES	YES
- RETRIEVAL				
- ATT. SEARCH (1.5.1,2,4)	YES	YES	YES	PARTIAL YES
- TEXT SEARCH (1.5.1-1.5.5)	POSSIBLE BUT EXTREMELY SLOW	POSSIBLE BUT EXTREMELY SLOW	OFTEN NO; YES ONLY WITH FULL INVERSION	YES
- REPORTS (1.6.1)	YES	YES	LIMITED	PARTIAL YES
- HIT REVIEW (1.6.2)	YES	YES	YES	YES
IMPLEMENTATION RISK	MINIMAL	MINIMAL	LOW	LOW

ESL

A Subsidiary of TRW

FBIS-DATA BASE ARCHITECTURES: EVALUATION (CONT'D)



	<u>SOFTWARE GENERAL PURPOSE</u>	<u>HARDWARE GENERAL PURPOSE</u>	<u>SOFTWARE LIBRARY/TEXT</u>	<u>HARDWARE TEXT SEARCH</u>
DESIRED PERFORMANCE				
- ATT. SEARCH	SLOW	APPROACHES	MAY ACHIEVE	MAY ACHIEVE
- TEXT SEARCH	EXTREMELY SLOW	EXTREMELY SLOW	MAY ACHIEVE	MAY ACHIEVE
- UPDATE	SLOW	APPROACHES	SLOW	ACHIEVES
COST				
- BASIC SYSTEM	LOW	REASONABLE	HIGH	REASONABLE
- DISK OVERHEAD	LOW (5-20%)	LOW (5-20%)	VERY HIGH (50-300%)	LOW (0-40%)
INCREMENTAL GROWTH				
- STORAGE	ACCOMMODATED	ACCOMMODATED	ACCOMMODATED	ACCOMMODATED
- PERFORMANCE	EXCLUDED	MAY BE ACCOMM.	MAY BE ACCOMM.	MAY BE ACCOMM.
SUBSYSTEM UPGRADING	GENERALLY EXCLUDED	ACCOMMODATED	GENERALLY EXCLUDED	GENERALLY ACCOMMODATED
INTERFACE FLEXIBILITY	ACCOMMODATED	ACCOMMODATED	MAY BE ACCOMMODATED	GENERALLY ACCOMMODATED

ESL
A Subsidiary of TRW

FBIS-TEXT SEARCH VENDORS: FEATURES

TRW

	<u>TRW FDF</u>	<u>GE GESCAN II</u>	<u>DATAFUSION AFP</u>
ARCHITECTURAL FEATURES	SYSTOLIC ARRAY (PROGRAMMABLE)	PARALLEL QUERY PROCESSORS	8192 BYTES OF QUERY TERMS
FUNCTIONAL CAPABILITIES			
- BITS/CHARACTER, CHARACTERS MATCHABLE	8,256	8,256	7+,232
- EXACT MATCH	YES	YES	YES
- FIXED LENGTH "DON'T CARES"	YES	YES	YES
- VARIABLE LENGTH "DON'T CARES"	YES	YES	NO
- PROXIMITY	YES	YES	YES
- BOOLEAN (AND,OR)	YES	YES	YES
- CHARACTER STRING RANGING	YES	VERY LIMITED	VERY LIMITED
- NUMERIC RANGING	YES	VERY LIMITED	LIMITED
- NEAR TERM MATCH (E.G., 6 OUT OF 10)	NOT IMPLEMENTED	YES	VERY LIMITED
- USER-SPECIFIED ERROR TOLERANCE	YES	NO	NO
MULTIPLE CONCURRENT QUERIES	UNKNOWN	PROBABLY YES	YES

ESL

A Subsidiary of TRW

FBIS-TEXT SEARCH VENDORS: FEATURES (CONT'D)**TRW**

	<u>TRW FDF</u>	<u>GE GESCAN II</u>	<u>DATAFUSION AFP</u>
PERFORMANCE			
- PROCESSOR SEARCH RATE	4.0 MB/SEC	2 MB/SEC	> 1.0 MB/SEC
- DISK SEARCH RATE	.8 MB/SEC	10 MB/MINUTE	.8 MB/SEC
- COMPRESSED EQUIVALENT DISK SEARCH RATE			8.0 MB/SEC
- SIMPLE QUERY			2.7 MB/SEC
- PROXIMITY QUERY			
USER INTERFACE	SEARCH SPEC. LANGUAGE ONLY	TABULAR QUERY LANGUAGE	"NATURAL" AND STRUCTURED LANGUAGES
COMPATIBLE SYSTEMS	STANDALONE SUN WORKSTATION; NO INTERFACES	ADD-ON TO PDP 11/24-70 VAX 11/78x	ADD-ON TO PDP 11/23-70, VAX 11/78x STANDALONE SUBSYSTEM WITH X.25, ETHERNET INTERFACES
MULTIPLE PROCESSORS IN SYSTEM	No	No	Yes
FILE STRUCTURE	UNKNOWN	STANDARD DEC	STANDARD DEC
FILE ACCESS	UNKNOWN	UNIBUS VIA CPU	DIRECT TO PROCESSOR
DISK STORAGE CAPACITY	1000-2000 MB	160,000 MB	2400 MB PER STANDALONE SUBSYSTEM
MIRRORED DISKS	UNKNOWN	UNKNOWN	No

ESL
A Subsidiary of TRW

FBIS-TEXT SEARCH VENDORS: EVALUATION

TRW

<u>CRITERIA</u>	<u>TRW FDF</u>	<u>GE GESCAN II</u>	<u>DATAFUSION AFP</u>
REQUIRED FUNCTIONALITY	WILL EXCEED, WHEN COMPLETE	MEETS	PARTIALLY MEETS (MORE THAN 95%)
IMPLEMENTATION RISK	HIGH; USEFUL CONFIGURATIONS NOT AVAILABLE	LOW	LOW TO MODERATE
DESIRED PERFORMANCE	WOULD EXCEED, WITH MULTIPLE PROCESSORS	DOES NOT ACHIEVE	ACHIEVES, WITH MULTIPLE PROCESSORS
COST	REASONABLE	REASONABLE	REASONABLE
INCREMENTAL GROWTH			
- STORAGE	EXCLUDED (AS OF NOW)	ACCOMMODATED; USES DEC VAX DISK STORAGE	ACCOMMODATED, WITH MULTIPLE PROCESSORS
- PERFORMANCE	EXCLUDED (AS OF NOW)	EXCLUDED (ONE PROCESSOR PER SYSTEM)	ACCOMMODATED, WITH MULTIPLE PROCESSORS
SUBSYSTEM UPGRADING MODULARITY	ACCOMMODATED	ACCOMMODATED	ACCOMMODATED
INTERFACE FLEXIBILITY	DEBATABLE; ETHERNET	HIGH; INTERFACES THROUGH VAX HOST	MEDIUM; THROUGH PDP-11

ESL
A Subsidiary of TRW

**FBIS—PERFORMANCE: ATTRIBUTE SEARCH
DESIRES AND ESTIMATES**



FACTORS:

QUERIES/DAY: AG: 30 ANALYSTS x 20 QUERIES/DAY = 600
PROD: 150 ANALYSTS x 15 QUERIES/DAY = 2250
SUPPORT: 45 STAFF x 15 QUERIES/DAY = 675 TOTAL: 3525/DAY

HOURS/DAY: 8
QUERY PROCESSORS: 8
BYTES/QUERY: 500
RESULT RECORDS/QUERY: 100
BYTES/RECORD: 500
RESULT BYTES/QUERY: 5E4 (RECORDS/QUERY x BYTES/RECORD)

DATA LOAD:

QUERY INPUT: 3525 QUERIES/DAY x 1 PROCESSORS
x 500 BYTES/QUERY
/ (8 HOURS/DAY x 3600 SEC/HOUR) = 62 BYTES/SEC

QUERY OUTPUT: 3525 QUERIES/DAY x 5E4 RESULT BYTES/QUERY
/ (8 HOURS/DAY x 3600 SEC/HOUR) = 6200 BYTES/SEC

EXAMPLE ATTRIBUTE QUERY PERFORMANCE:

A SAMPLE BENCHMARK SHOWED 9 MIXED QUERIES FOR 8 USERS TOOK 244 SECONDS
ON A SINGLE BRITTON LEE PROCESSOR.

THIS TRANSLATES TO: 3.4 SECONDS/QUERY OR 8470 QUERIES/DAY

ESL
A Subsidiary of TRW

FBIS—PERFORMANCE: TEXT SEARCH DESIRES



FACTORS:

QUERIES/DAY: AG: 30 ANALYSTS X 5 QUERIES/DAY = 150
 PROD: 150 ANALYSTS X 2 QUERIES/DAY = 300 TOTAL: 450

HOURS/DAY: 8
SEARCH PROCESSORS: 8
BYTES/QUERY 500
BYTES/HIT FILE INDEX: 30
HIT FILES/QUERY: 200
BYTES/HIT FILE: 1.37E4

DATA LOAD:

QUERY INPUT: 450 QUERIES/DAY X 8 PROCESSORS
 X 500 BYTES/QUERY
 / (8 HOURS/DAY X 3600 SEC/HOUR) = 63 BYTES/SEC

INDEX OUTPUT: 450 QUERIES/DAY X 200 HIT FILES/QUERY
 X 30 BYTES/QUERY
 / (8 HOURS/DAY X 3600 SEC/HOUR) = 94 BYTES/SEC

HIT FILE BROWSE OUTPUT:
 450 QUERIES/DAY X 200 HIT FILES/QUERY
 X 1.37E4 BYTES/HIT FILE
 / (8 HOURS/DAY X 3600 SEC/HOUR) = 4.3E4 BYTES/SEC

ESL

A Subsidiary of TRW

FBIS—PERFORMANCE: TEXT SEARCH FACTORS**TRW**

<u>FACTOR</u>	<u>STANDARD OR VENDOR VALUE</u>	<u>CONSERVATIVE VALUE USED</u>
SOURCE TEXT BYTES/WORD	4-8 TYPICAL	10 BYTES/WORD
AFP COMPRESSED FILE SIZE	3-5% FOR LEGAL FILES	10%
AFP PARTIAL COMPRESSED FILE SIZE	30%	30%
SEARCH SPEED (= DISK ACCESS SPEED)	.8 MB PER SECOND	.8 MB PER SECOND
NUMBER OF AFP PROCESSORS PER QUERY	14 AVAILABLE; 7 TSPs (2 AFPs EACH) ARE NEEDED TO STORE THE COMPRESSED SEARCH DATA	8 PER QUERY; TO ALLOW FOR DISJOINT, CONCURRENT QUERIES; AND FOR INCREMENTAL GROWTH
OVERHEAD PER QUERY	1-3 SEC. ON TSP UNKNOWN ON HOST	8 SEC. BEFORE QUERY 2 SEC. AFTER QUERY
NUMBER OF SIMULTANEOUS QUERIES PER PROCESSOR	50-70 (UP TO 600 TERMS TOTAL)	10 (IF WELL COORDINATED)

ESL
A Subsidiary of TRW

FBIS—PERFORMANCE: TEXT SEARCH EXAMPLE



EXAMPLE SEARCH REQUEST:

TO SEARCH DAILY REPORTS AND JPRS FOR 1 FULL YEAR OF USSR DATA:

- 25% OF 910 MB + 2600 MB
- 877.5 MB; USE 900 MB FOR ESTIMATE
- 60,000 ITEMS OF 1500 WORDS EACH

	SIMPLE SEARCH (NO PROXIMITY; USES 10% FILE)	PROXIMITY SEARCH (PROXIMITY REQUIRED; USES 30% FILE)
INITIAL OVERHEAD (ASSUMED)	8 SECONDS	8 SECONDS
PROCESSOR SEARCH TIME (NUMBER OF MB/.8 MB PER SECOND/ 8 PROCESSORS)	15 SECONDS	43 SECONDS
CLOSING OVERHEAD (ASSUMED)	2 SECONDS	2 SECONDS
TOTAL SEARCH TIME (SUM)	25 SECONDS	53 SECONDS
FIRST RESPONSE TO USER (ASSUMING 100 HITS)	11 SECONDS (10.15)	11 SECONDS (10.43)

SEARCHES PER DAY

(ASSUMES THAT SIMULTANEOUS QUERIES ARE NOT TAKEN ADVANTAGE OF.)

EACH TYPE	1152	543
AVERAGE (50% OF EACH)	847	

ESL
A Subsidiary of TRW

FBIS--PERFORMANCE: TEXT SEARCH EXAMPLE (CONT'D)

TRW

NOTES ON TEXT SEARCH EXAMPLE

- o SHORTER PROCESSOR SEARCH TIMES WILL RESULT FROM SEARCHING SMALLER PORTIONS (E.G., 3 MONTHS) OF THE TEXT DATA, WITH AN APPROPRIATE FILE ORGANIZATION
- o NO DEGRADATION OF SEARCH TIMES WILL RESULT AS THE DATA BASE GROWS
- o MULTIPLE QUERIES, FROM ONE OR MORE USERS, CAN BE HANDLED AT THESE SAME RATES, IF THE QUERIES ARE COORDINATED TO SEARCH THE SAME PARTITIONS OF THE TEXT DATA

ESL
A Subsidiary of TRW

FBIS—PERFORMANCE EVALUATION: DATA LOAD



ALL FIGURES ARE IN BYTES/SECOND.

		DESIRED	PERFORMANCE ACHIEVED
ORIGINAL DATA DATA BASE			
INPUT			
	TEXT	7.11E2	
	GRAPHICS	4.95E1	
OUTPUT			
	TEXT	4.34E4	
TOTAL		4.42E4	
TEXT SEARCH DATA BASE			
INPUT			
	TEXT	2.84E2	
	QUERY	6.30E1	
OUTPUT			
	INDICES	9.40E1	
TOTAL		4.41E2	2. E6 (4 TSP x .5 MB/SEC)
ATTRIBUTE DATA BASE			
INPUT			
	ORIGINAL DATA	4.97E1	
	QUERY	6.20E1	
OUTPUT			
	QUERY	6.20E3	
TOTAL		6.31E3	
TOTAL NET LOAD		5.10E4	1. E6

ESL
A Subsidiary of TRW

FBIS - PERFORMANCE PROCESSORS



	DESIRED	PERFORMANCE ACHIEVED
TEXT SEARCH DATA BASE (4 TSPs = 8 PROCESSORS; EACH QUERY = USSR FOR 1 YEAR, OR 3 MONTHS OF JPRS+DAILY REPORTS)		
QUERIES/DAY	450	847
ATTRIBUTE DATA BASE (1 IDM 500/2 PROCESSOR)		
QUERIES/DAY	3525	8470

ESL
A Subsidiary of TRW

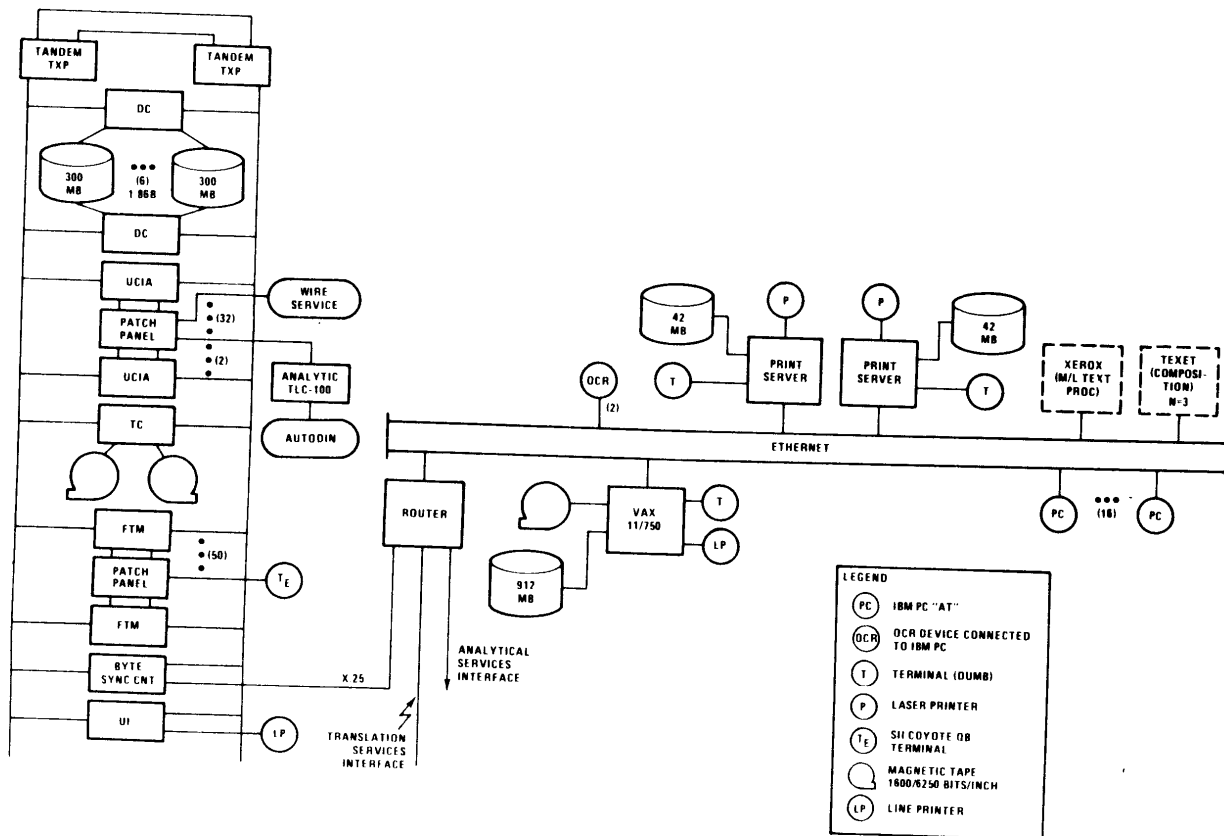
FBIS - HEADQUARTERS



- o OVERALL DESIGN
- > o DAILY OPERATIONS SUBSYSTEM
 - DETAILED BLOCK DIAGRAM
 - SIZING
 - VENDOR FEATURES
 - INTERFACES
 - MAJOR DATA PATHS
- o TRANSLATION SERVICES SUBSYSTEM
- o ANALYTICAL SERVICES SUBSYSTEM
- o DESIGN SUMMARY
- o OPERATIONS CONCEPT
- o SUMMARY

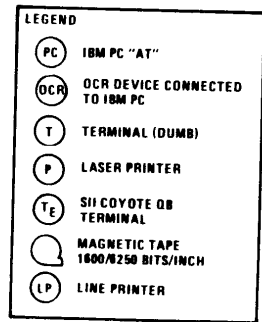
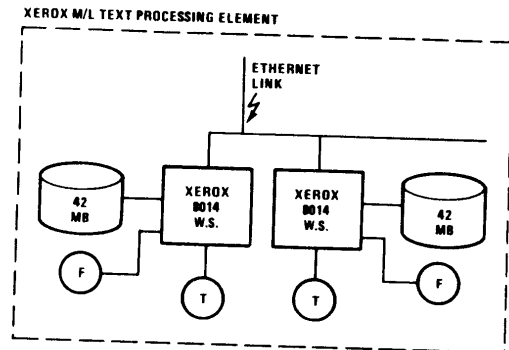
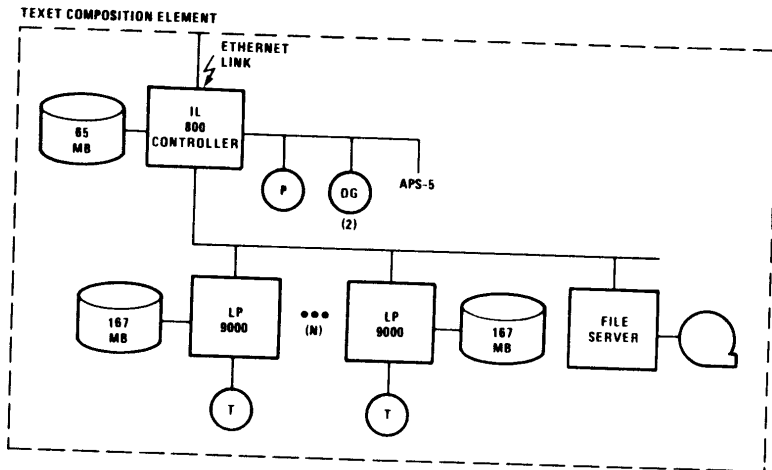
ESL
A Subsidiary of TRW

DAILY OPERATIONS SUBSYSTEM



ESL
A Subsidiary of TRW

**FBIS—COMPOSITION AND MULTILINGUAL
TEXT PROCESSING ELEMENTS**



ESL
A Subsidiary of TRW

FBIS-DAILY OPERATIONS: TERMINAL SIZING

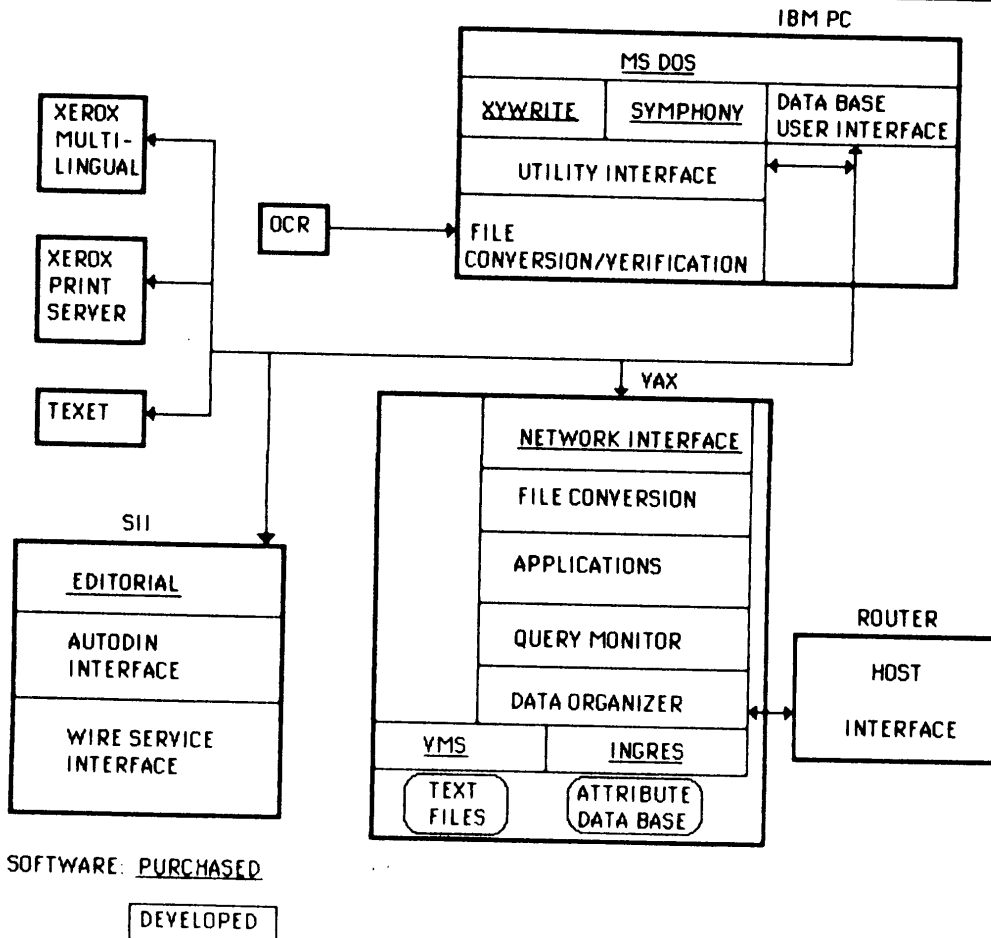
TRW

	TERMINAL COUNT		UPDATE RATIONAL
	OLD	NEW	
	---	---	-----
WIRE SERVICE EDITORS	3	5	ADD 2 FOR SUPERVISORS (BASED ON INFORMATION FROM PREVIOUS BRIEFING)
DAILY REPORT EDITORS	36	40	ADD 4 FOR SUPERVISORS (BASED ON INFORMATION FROM PREVIOUS BRIEFING)
EDITOR BACKUP AND TRAINING (10%)	4	5	PERCENTAGE
	---	---	
	43	50	
SYSTEM SUPPORT TERMINALS	4	16	(BASED ON INFORMATION FROM PREVIOUS BRIEFING)
COMPOSITION	10	3	ASSUMES MORE IS DONE IN BATCH MODE

ESL

A Subsidiary of TRW

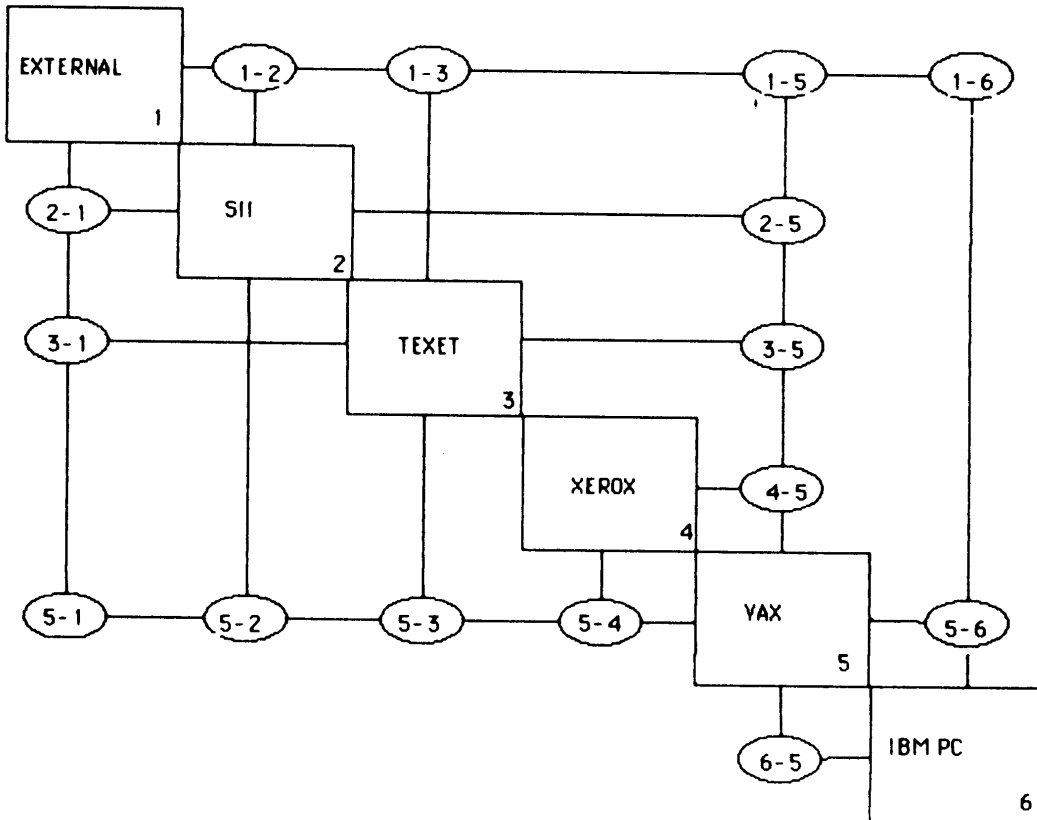
FBIS-DAILY OPERATIONS: SOFTWARE INTERFACES



ESL

A Subsidiary of TRW

FBIS-DAILY OPERATIONS-ARCHITECTURE N-SQUARED CHART



ESL
A Subsidiary of TRW

FBIS-DAILY OPERATIONS: N-SQUARED INTERFACES



<u>INTERFACE</u>	<u>MAJOR DATA PATH</u>
1-2: EXTERNAL TO SII	FIELD COPY UPDATES TO TECHNICAL FILES REQUEST FOR SERVICE ADMINISTRATIVE MESSAGES BUREAU STATISTICS
1-3: EXTERNAL TO TEXET	HARDCOPY GRAPHICS
1-5: EXTERNAL TO VAX	TRANSLATION/ANALYTICAL SERVICES INTERFACE
2-1: SII TO EXTERNAL	WIRE SERVICE ADMINISTRATIVE MESSAGES TO BUREAU PROCESSING REQUESTS FOR BUREAUS PLANNED ANALYTICAL PRODUCTION REPORT
2-5: SII TO VAX	MAIL STATISTICS DAILY REPORTS EDIT TRACE FILES FIELD COPY MESSAGE TRAFFIC EDIT DAILY REPORT

ESL

A Subsidiary of TRW

FBIS-DAILY OPERATIONS: N-SQUARED INTERFACES (CONT'D)



<u>INTERFACE</u>	<u>MAJOR DATA PATH</u>
3-1: TEXET TO EXTERNAL	APS-5 COMMANDS
3-5: TEXET TO VAX	DAILY REPORTS PROCESSING STATISTICS GRAPHICS
4-5: XEROX TO VAX	REFERENCE AIDS GLOSSARIES MIXED LANGUAGE TEXT
5-1: VAX TO EXTERNAL	BUREAU TRAFFIC DAILY REPORT PROCESSING STATISTICS DAILY REPORT OVERFLOW MAIL FILE UPDATES TRANSLATION/ANALYTICAL SERVICES INTERFACE
5-2: VAX TO SII	FIELD COPY MAIL EDIT TRACE FILES

ESL

A Subsidiary of TRW

FBIS-DAILY OPERATIONS: N-SQUARED INTERFACES (CONT'D)

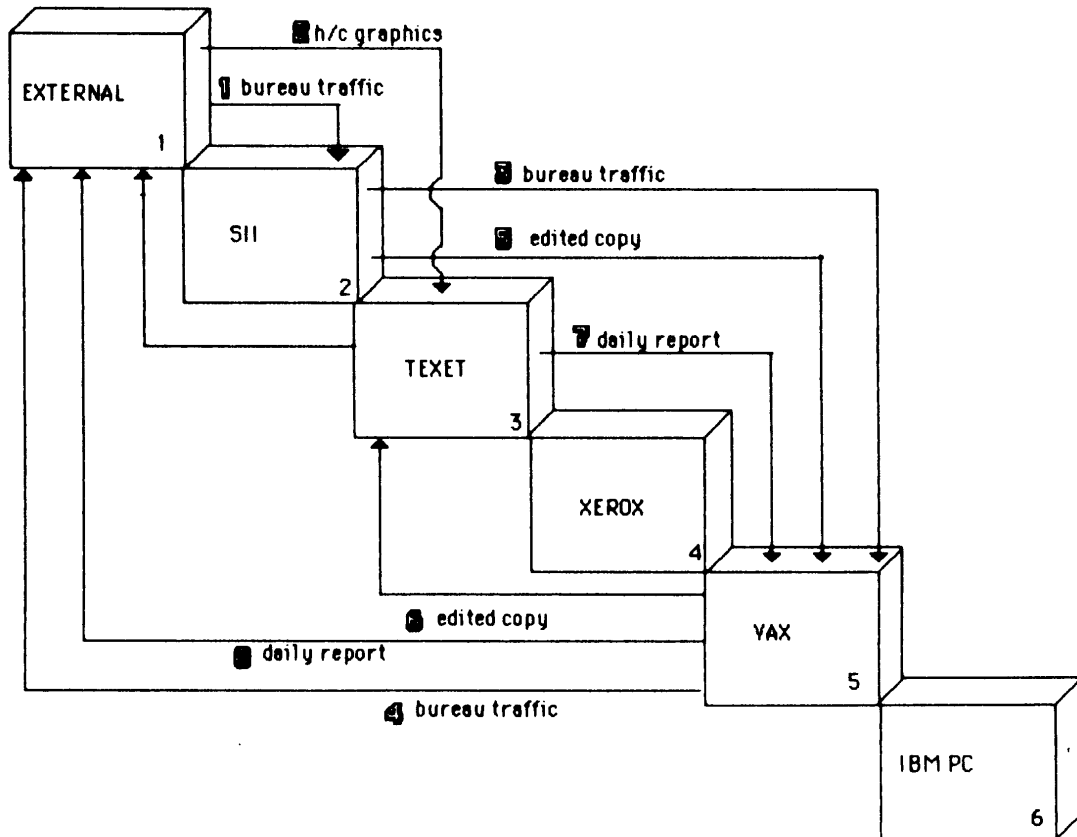


<u>INTERFACE</u>	<u>MAJOR DATA PATH</u>
5-3: VAX TO TEXET	EDITED DAILY REPORT GRAPHICS AND PARAMETERS
5-4: VAX TO XEROX	REFERENCE AIDS GLOSSARIES
5-6: VAX TO IBM PC	DAILY REPORT TEXT PERSONAL FILES PROCESSING STATISTICS REPORT TEXT
6-5: IBM PC TO VAX	REPORT TEXT PERSONAL FILES FILE REQUESTS

ESL

A Subsidiary of TRW

FBIS-DAILY OPERATIONS-DAILY REPORT DATA PATH



ESL
A Subsidiary of TRW

FBIS-HEADQUARTERS

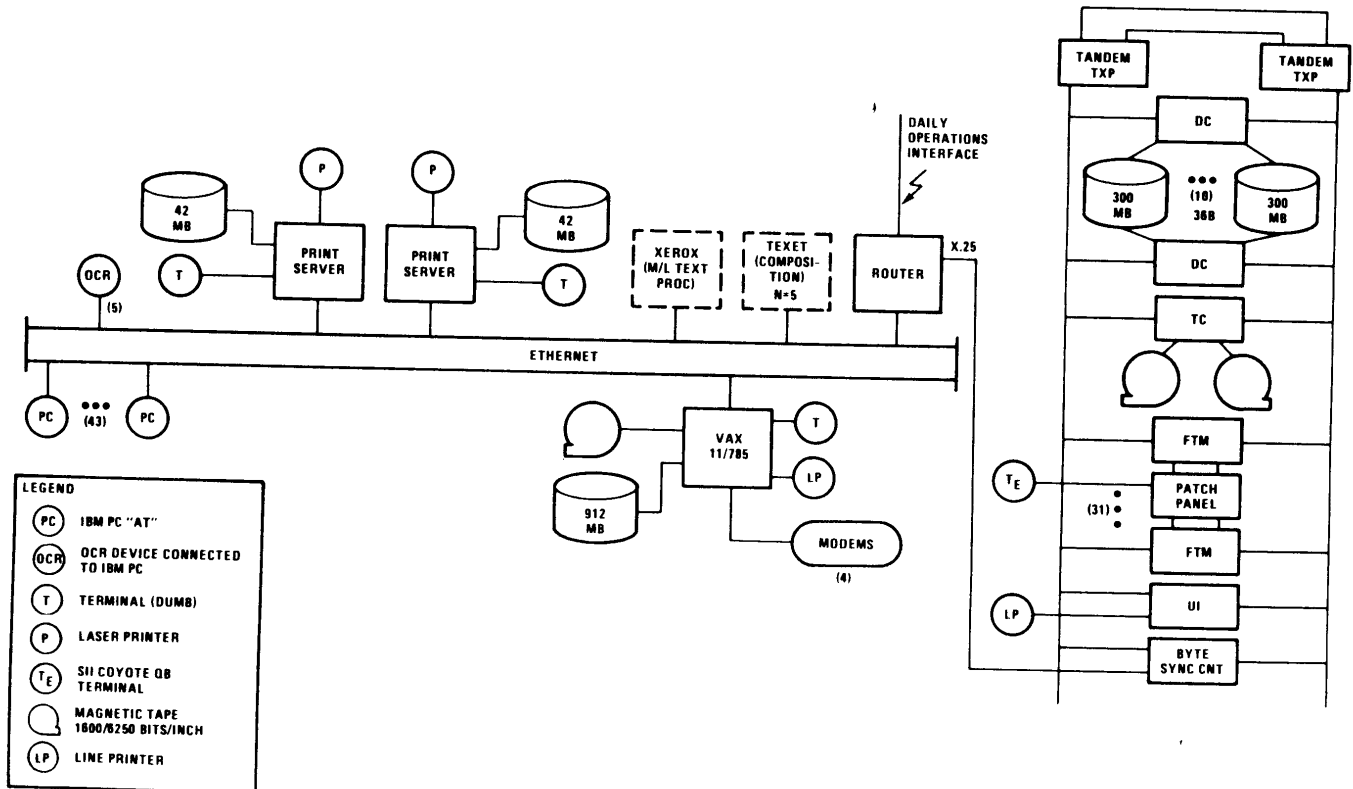
TRW

- o OVERALL DESIGN
- o DAILY OPERATIONS SUBSYSTEM
- > o TRANSLATION SERVICES SUBSYSTEM
 - DETAILED BLOCK DIAGRAM
 - SIZING
 - VENDOR FEATURES
 - INTERFACES
 - MAJOR DATA PATHS
- o ANALYTICAL SERVICES SUBSYSTEM
- o DESIGN SUMMARY
- o OPERATIONS CONCEPT
- o SUMMARY

5/1/85

ESL
A Subsidiary of TRW

TRANSLATION SERVICES SUBSYSTEM



ESL
A Subsidiary of TRW

FBIS-HEADQUARTERS

TRW

RATIONALE

O ASSUMPTIONS:

- 660 OUTSTANDING REQUESTS PER DESK
- 50 TRANSLATION REQUESTS PER DAY PER DESK
- 50 TRANSLATIONS RECEIVED PER DAY PER DESK
- IC SELECTION RATE: 1 EVERY 30 MINUTES
- CSO OR TRANSLATION ENTRY IS 1 EVERY 30 MINUTES

O CALCULATIONS:

-	WORKSTATIONS FOR IC SELECT = $50/12 \times 3$	= 12
-	WORKSTATIONS FOR CSO/TRANSLATION ENTRY = $50/12 \times 3$	= 12
-	WORKSTATIONS FOR MONITORING CSOs AND ICs = $2/AREA$	= 6
-	WORKSTATIONS FOR SERIAL REPORT MANAGEMENT = $2/AREA$	= 6
-	SYSTEM SUPPORT (10%)	= 7

		43

Handwritten notes:
 CSO/IC
 CSO/IC
 CSO/IC
 CSO/IC

ESL
A Subsidiary of TRW

FBIS-TRANSLATION SERVICES: TERMINAL SIZING

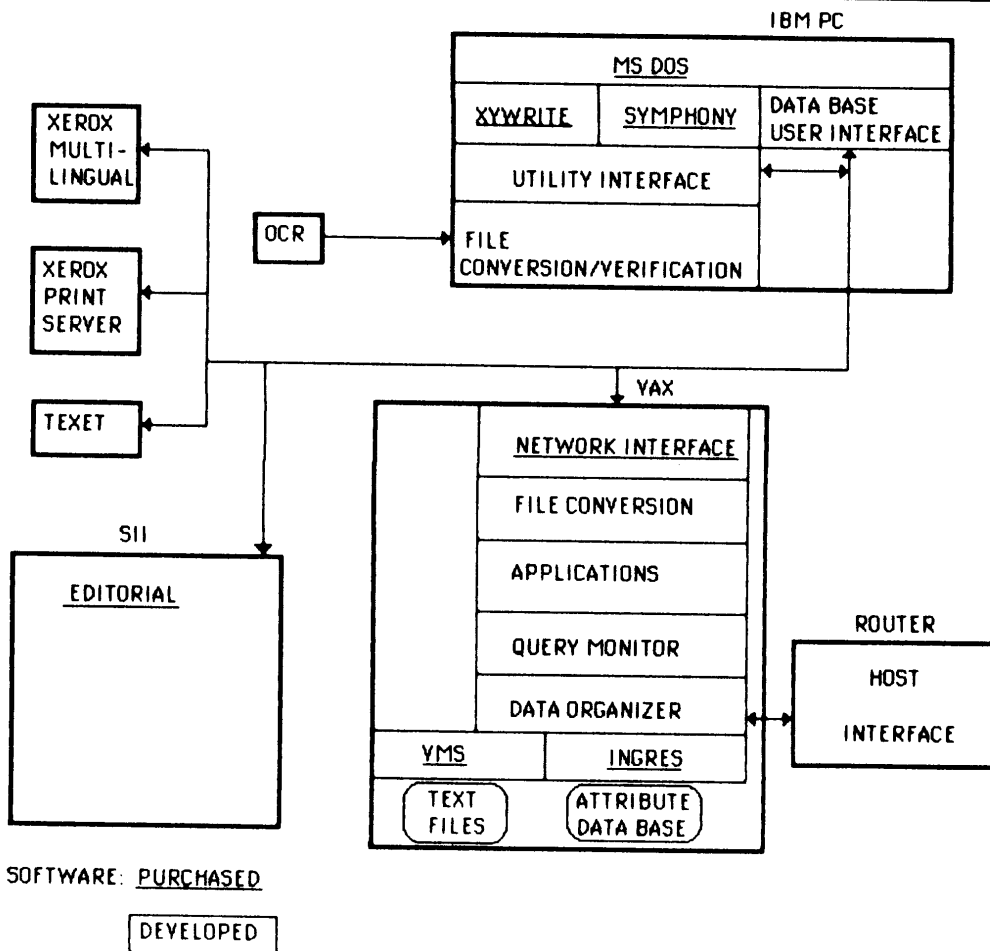


	TERMINAL COUNT		UPDATE RATIONAL
	OLD	NEW	
	---	---	-----
JPRS EDITORS	25	31	ADD 3 FOR SUPERVISORS AND 3 FOR TRAINING AND BACKUP
JPRS DESK OFFICER	6	36	NEW EVALUATION OF IC MANAGEMENT WORKLOAD
SYSTEM SUPPORT TERMINALS	5	7	PERCENTAGE
	---	---	
	36	43	
OCR	5	5	
DIGITIZERS	2	2	
COMPOSITION STATIONS	13	5	ASSUMES MORE IS DONE IN BATCH MODE

ESL

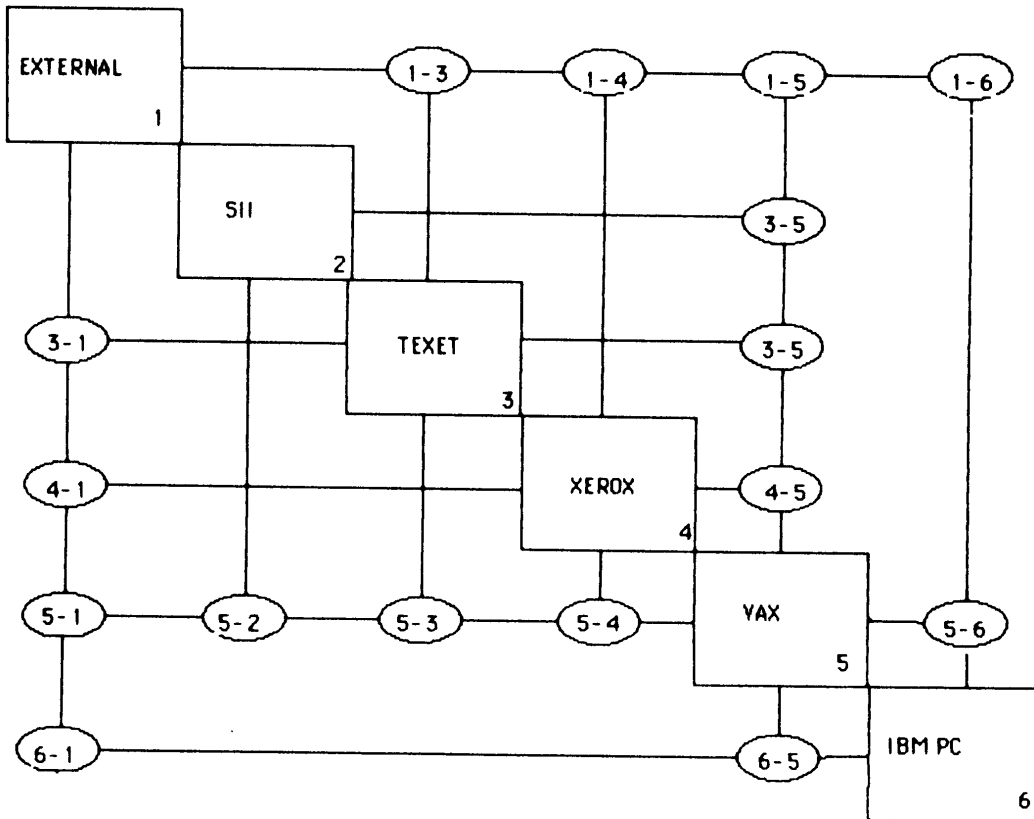
A Subsidiary of TRW

FBIS-TRANSLATION SERVICES: SOFTWARE INTERFACES



ESL
A Subsidiary of TRW

**FBIS-TRANSLATION SERVICES-
ARCHITECTURE N-SQUARED CHART**



ESL

A Subsidiary of TRW

FBIS- TRANSLATION SERVICES: N-SQUARED INTERFACES



<u>INTERFACE</u>	<u>MAJOR DATA PATH</u>
1-3: EXTERNAL TO TEXET	HARDCOPY GRAPHICS
1-4: EXTERNAL TO XEROX	REFERENCE AIDS GLOSSARIES JPRS NEWSLETTER
1-5: EXTERNAL TO VAX	DAILY REPORT OVERFLOW DAILY REPORT SELECTS MAIL
1-6: EXTERNAL TO IBM PC	CSO CARDS HARDCOPY TRANSLATIONS SOS FORMS
2-5: SII TO VAX	EDITED JPRS REPORTS PROCSSING STATISTICS MAIL EDIT TRACE FILES

ESL

A Subsidiary of TRW

FBIS-TRANSLATION SERVICES: N-SQUARED INTERFACES (CONT'D)



<u>INTERFACE</u>	<u>MAJOR DATA PATH</u>
3-1: TEXET TO EXTERNAL	APS-5 COMMANDS
3-5: TEXET TO VAX	DAILY REPORTS PROCESSING STATISTICS GRAPHICS
4-1: XEROX TO EXTERNAL	REFERENCE AIDS (VIA FLOPPY DISK)
4-5: XEROX TO VAX	REFERENCE AIDS GLOSSARIES MIXED LANGUAGE TEXT JPRS NEWLETTER
5-1: VAX TO EXTERNAL	MAIL JPRS REPORT PROCESSING STATISTICS
5-2: VAX TO SII	JPRS REPORTS EDIT TRACE FILES

ESL

A Subsidiary of TRW

FBIS-TRANSLATION SERVICES: N-SQUARED INTERFACES (CONT'D)

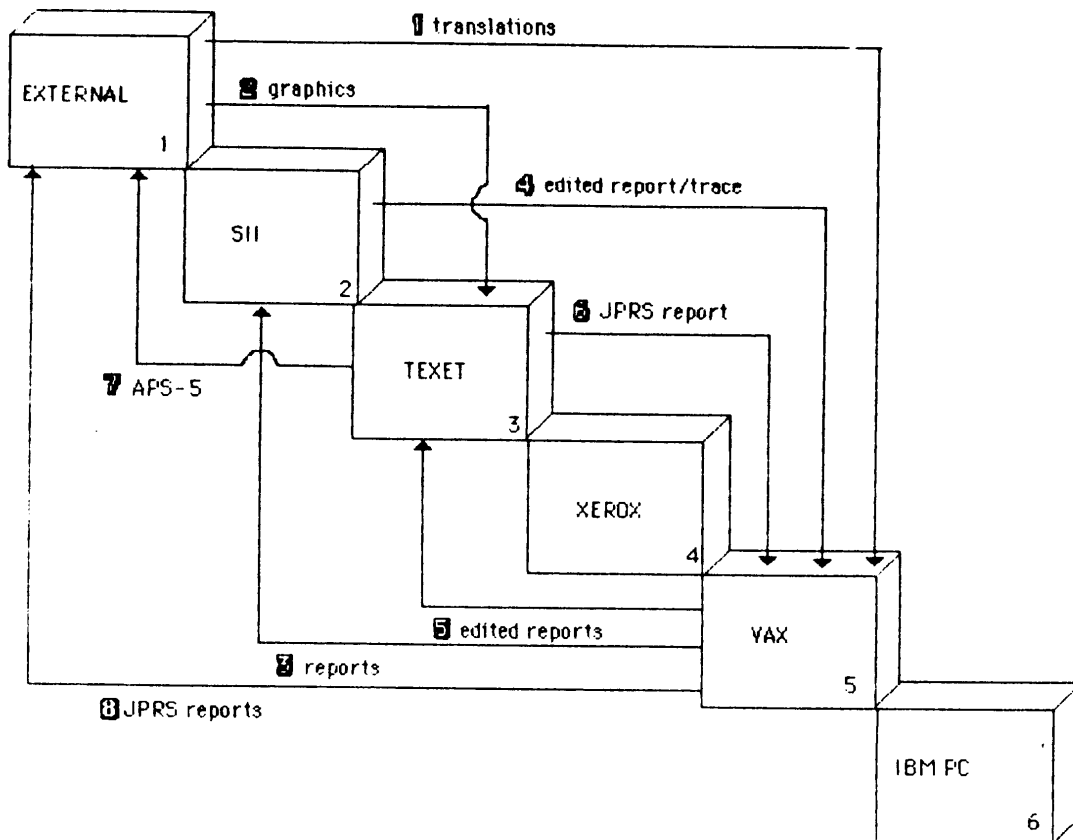


<u>INTERFACE</u>	<u>MAJOR DATA PATH</u>
5-3: VAX TO TEXET	JPRS REPORTS GRAPHICS AND PARAMETERS
5-4: VAX TO XEROX	REFERENCE AIDS GLOSSARIES JPRS NEWLETTER MIXED TEXT FILES
5-6: VAX TO IBM PC	CSO CARD FILE SOS FILE JPRS REPORTS ADMINISTRATIVE REPORTS IC FILE TRANSLATIONS
6-5: IBM PC TO VAX	CSO CARD FILE SOS FILE JPRS REPORTS ADMINISTRATIVE REPORTS IC FILE TRANSLATIONS

ESL

A Subsidiary of TRW

FBIS-TRANSLATION SERVICES: JPRS REPORTS DATA PATH



ESL
A Subsidiary of TRW

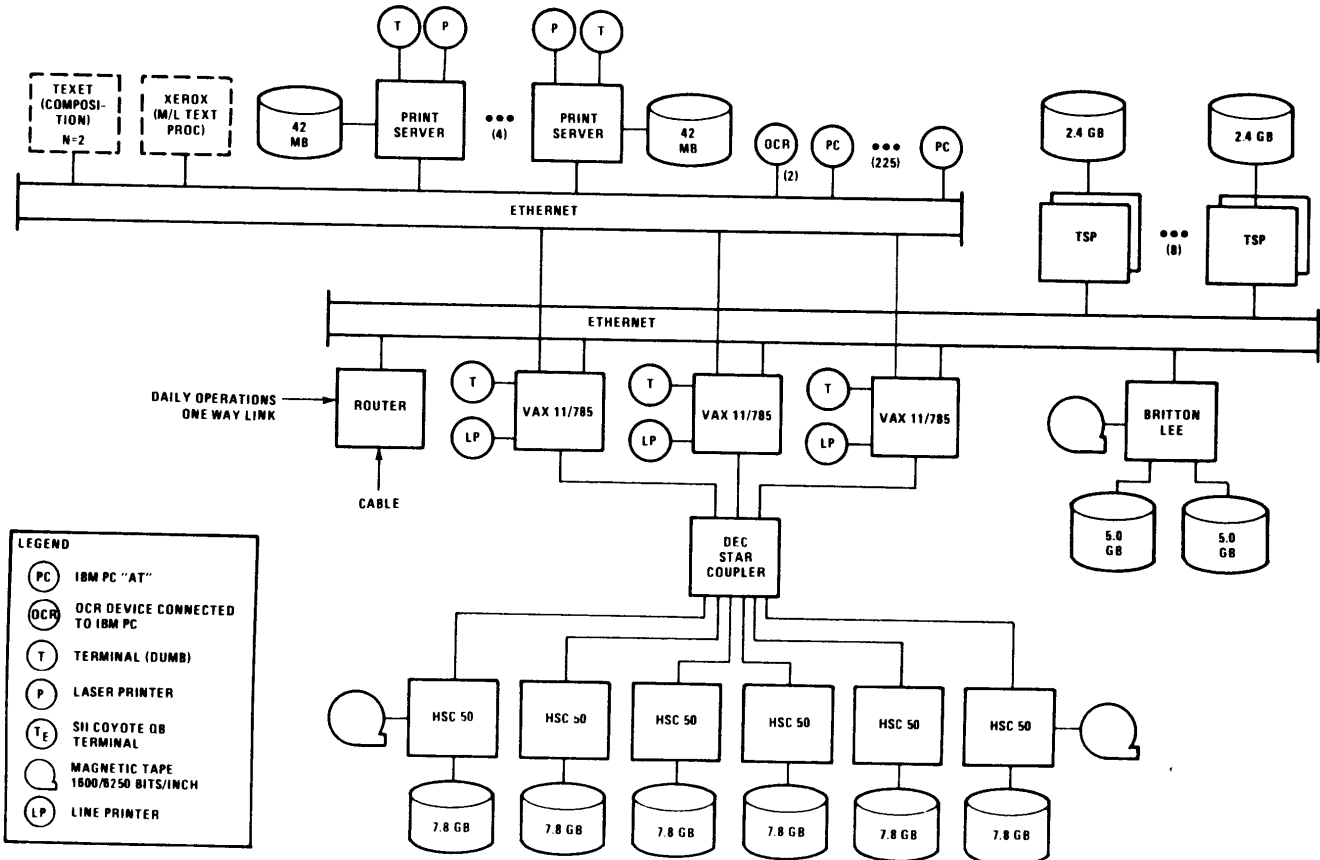
FBIS-HEADQUARTERS

TRW

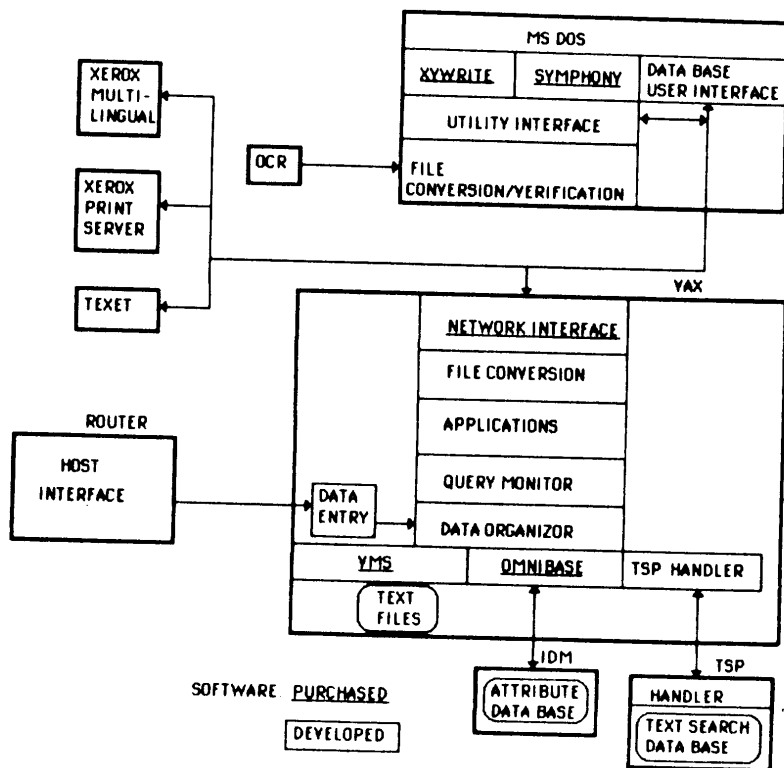
- o OVERALL DESIGN
- o DAILY OPERATIONS SUBSYSTEM
- o TRANSLATION SERVICES SUBSYSTEM
- > o ANALYTICAL SERVICES SUBSYSTEM
 - DETAILED BLOCK DIAGRAM
 - SIZING
 - INTERFACES
 - MAJOR DATA PATHS
- o DESIGN SUMMARY
- o OPERATIONS CONCEPT
- o SUMMARY

ESL
A Subsidiary of TRW

ANALYTICAL SERVICES SUBSYSTEM

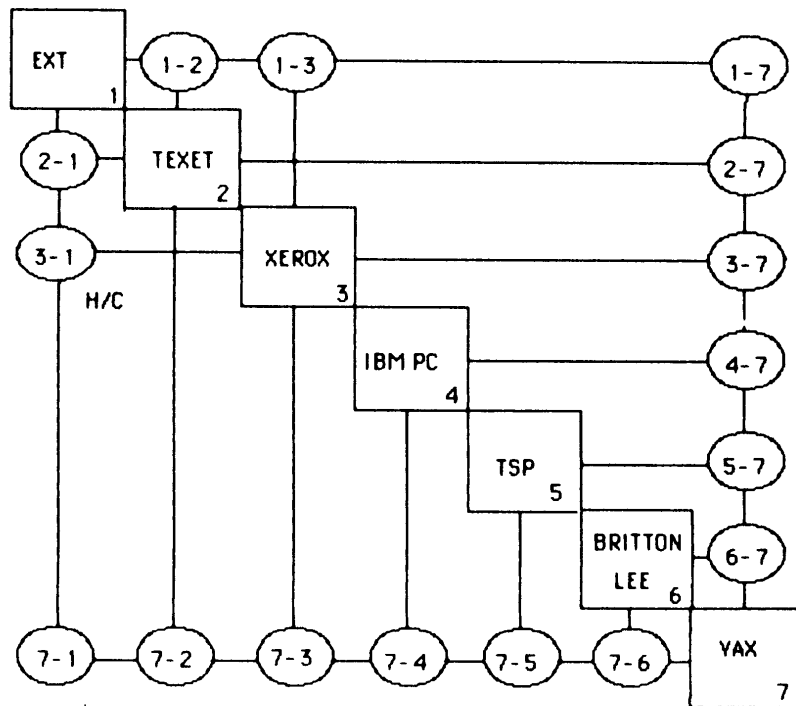


ESL
A Subsidiary of TRW **FBIS-ANALYTICAL SERVICES: SOFTWARE INTERFACES**



ESL
A Subsidiary of TRW

**FBIS-ANALYTICAL SERVICES-
ARCHITECTURE N-SQUARED CHART**



ESL
A Subsidiary of TRW

FBIS-ANALYTICAL SERVICES: TERMINAL SIZING



	TERMINAL COUNT		
	OLD	NEW	UPDATE RATIONAL
	---	---	---
PROD ANALYSIS (INCLUDES 15 SYSTEM SUPPORT)	150	150	(BASED ON INFORMATION FROM PREVIOUS BRIEFING)
ANALYSIS/EDITORS	45	52	
LRB	5	5	
MOD	10	10	
ENGINEERING DIVISION	5	5	
REFERENCE SERVICES	3	3	
	---	---	
	218	225	
COMPOSITION	2	2	
MULTI-LINGUAL	2	2	
OCR	2	2	
DIGITIZER	2	2	

ESL
A Subsidiary of TRW

FBI—ANALYTICAL SERVICES: DATA BASE SIZING



- o **ATTRIBUTE STORAGE:**
 - **NUMBER OF ITEMS:** 640,000 ITEMS INCREASE PER YEAR
6,600,000 ITEMS TOTAL IN 10 YEARS
 - **SIZE:** 390 MEGABYTES INCREASE PER YEAR
4000 MEGABYTES TOTAL IN 10 YEARS
 - **INCLUDES CTS:** 1,820,000 ITEMS TOTAL IN 10 YEARS
2300 MEGABYTES TOTAL IN 10 YEARS
- o **TEXT STORAGE:**
 - **SIZE:** 3500 MEGABYTES INCREASE PER YEAR
39000 MEGABYTES TOTAL IN 10 YEARS
 - **ASSUMES:** A CONSERVATIVE 10 BYTES/ENGLISH WORD
(4-8 BYTES/WORD IS A TYPICAL ESTIMATE)
- o **GRAPHICS STORAGE:**
 - **SIZE:** 370 MEGABYTES INCREASE PER YEAR
3744 MEGABYTES TOTAL IN 10 YEARS
 - **ASSUMES:** 150,000 BYTES PER GRAPHIC (ORIGINAL)
10-TO-1 RUN LENGTH ENCODING COMPRESSION

*Butter Lee
double check for
reliability
my*

ESL

A Subsidiary of TRW

FBIS-ANALYTICAL SERVICES: DATA BASE INPUT RATES**TRW**

SOURCE INPUT TOTALS					DATA BASE INPUT TOTALS		
TO:	FROM:	BYTES /MONTH	DAYS /WEEK	HOURS /DAY	BYTES /SEC.	TO:	BYTES /SEC.
INPUT FROM UNCLASSIFIED SYSTEM							
ORIG. TEXT	DOCUMENT	3.9E8	5	8	6.25E2	ORIG. TEXT	7.11E2
	MESSAGE	1.3E8	7	24	4.96E1		
	FIELD COM.	2E7	7	24	7.63E0	SEARCH TEXT	2.84E2
GRAPHICS	DOCUMENT	2.9E7	5	8	4.64E1	(40%)	
ATTRIBUTE	DOCUMENT	2E6	5	8	3.2E0	GRAPHICS	4.95E1
	MESSAGE	1E6	7	24	3.8E-1		
	FIELD COM.	6E5	7	24	2.2E-1	ATTRIBUTE	4.97E1
	REF. AIDS	5E6	5	8	8.01E0		
	PUB. SOUR.	5E5	5	8	8.E-1		
	SOURCE	6E6	7	24	2.28E0		
	DISTRIB.	3E5	5	8	4.8E-1		
				TOTAL	7.44E2		
INPUT FROM CLASSIFIED WORKSTATIONS							
ORIG. TEXT	DOCUMENT	3.2E6	5	8	5.12E0		
	RESEARCH	1.8E6	5	8	2.88E0		
	F.L. SERV.	1.8E6	7	24	6.8E-1		
	MONTHLY	1E6	5	8	1.6E0		
GRAPHICS	DOCUMENT	1.9E6	5	8	3.04E0		
ATTRIBUTE	RESEARCH	7E4	5	8	1.1E-1		
	F.L. SERV.	3E4	7	8	3.4E-2		
	PRIVATE	1E6	5	8	1.6E0		
				TOTAL	1.5E1		
INPUT FROM CLASSIFIED OTHER							
ORIG. TEXT	CLAS.CABLE	4.9E7	7	24	1.86E1		
ATTRIBUTE	CLAS.CABLE	1.4E6	7	24	5.3E-1		
	CTS	2E7	5	8	3.2E1		
				TOTAL	5.12E1		

ESL
A Subsidiary of TRW

FBIS—ANALYTICAL SERVICES: DATA BASE HARDWARE SIZING



- O **ATTRIBUTE STORAGE**
 - **4000 MB (x 2 FOR MIRRORED DISKS)**
- O **ORIGINAL SOURCE TEXT STORAGE**
 - **38000 MB**
- O **TEXT PROCESSORS AND SEARCH STORAGE**
 - **38000 MB @ 40% = 15200 MB COMPRESSED STORAGE**
 - @ 2400 MB/TSP = 6.3 ~ 7 TSP UNITS**
 - **8 TSP UNITS = 16 AFP PROCESSORS**
 - (TO ALLOW FOR GROWTH)**
- O **GRAPHICS STORAGE**
 - **3740 MB**

ESL
A Subsidiary of TRW

FBIS-ANALYTICAL SERVICES: N-SQUARED INTERFACES



<u>INTERFACE</u>	<u>MAJOR DATA PATH</u>
1-2: EXTERNAL TO TEXET	HARDCOPY GRAPHICS
1-3: EXTERNAL TO XEROX	REFERENCE AIDS GLOSSARIES ITEMS FOR REVERSE TRANSLATION
1-7: EXTERNAL TO VAX	MESSAGE TRAFFIC FIELD COPY DAILY REPORTS JPRS REPORTS CSO UPDATES REFERENCE AIDS TECHNICAL FILE UPDATES DAILY REPORT OVERFLOW PROCESS STATISTICS CLASSIFIED CABLE
2-1: TEXET TO EXTERNAL	APS-5 COMMANDS (VIA CLASSIFIED LINK)
2-7: TEXET TO VAX	ANALYST REPORTS GRAPHICS

ESL

A Subsidiary of TRW

FBIS-ANALYTICAL SERVICES: N-SQUARED INTERFACES (CONT'D)



<u>INTERFACE</u>	<u>MAJOR DATA PATH</u>
3-1: XEROX TO EXTERNAL	HARDCOPY FOR PUBLICATION
3-7: XEROX TO VAX	REFERENCE AIDS GLOSSARIES MIXED LANGUAGE TEXT
4-7: IBM PC TO VAX	QUERIES REPORT TEXT RESEARCH FILE RECORDS FILE SPECIFICATIONS OCR TEXT FILES
5-7: TSP TO VAX	FILE SPECIFICATIONS
6-7: BRITTON LEE TO VAX	ATTRIBUTE INFORMATION FILE SPECIFICATIONS

ESL

A Subsidiary of TRW

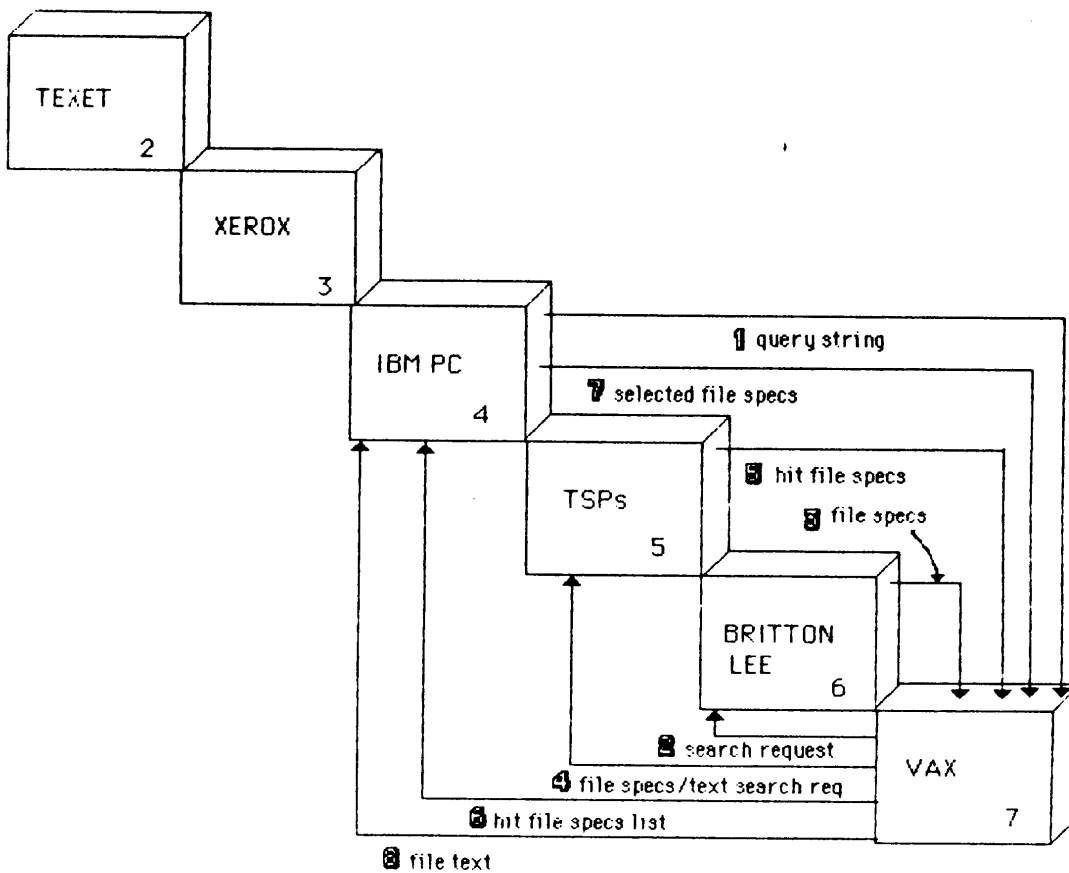
FBIS-ANALYTICAL SERVICES: N-SQUARED INTERFACES (CONT'D)



<u>INTERFACE</u>	<u>MAJOR DATA PATH</u>
7-1: VAX TO EXTERNAL	CLASSIFIED CABLES
7-2: VAX TO TEXET	EDITED ANALYTICAL REPORTS GRAPHICS AND PARAMETERS
7-3: VAX TO XEROX	REFERENCE AIDS GLOSSARIES ITEMS FOR REVERSE TRANSLATION MISCELLANEOUS MIXED LANGUAGE TEXT
7-4: VAX TO IBM PC	HIT FILE LIST PRODUCT FILES PRIVATE FILES
7-5: VAX TO TSP	COMPRESSED TEXT FILES TEXT SEARCH QUERIES
7-6: VAX TO BRITTON LEE	ATTRIBUTE INFORMATION FILE SPECIFICATIONS ATTRIBUTE SEARCH QUERIES

ESL
A Subsidiary of TRW

ANALYTICAL SERVICE: QUERY DATA PATH



ESL
A Subsidiary of TRW

FBIS-HEADQUARTERS

TRW

- o OVERALL DESIGN
- o DAILY OPERATIONS SUBSYSTEM
- o TRANSLATION SERVICES SUBSYSTEM
- o ANALYTICAL SERVICES SUBSYSTEM
- > o DESIGN SUMMARY
 - HARDWARE AND PURCHASED SOFTWARE
 - SOFTWARE DEVELOPMENT
- o OPERATIONS CONCEPT
- o SUMMARY

ESL
A Subsidiary of TRW

FBIS—HARDWARE AND PURCHASED SOFTWARE



OM	EQUIPMENT	TRANSLATION SERVICES	DAILY OPERATIONS	ANALYTICAL SERVICES
VENDOR	SUBSYSTEM COMPONENT	NUMBER	NUMBER	NUMBER
ACCESS	XNS FOR DEC FRONT END		2	2 4
DEST	OCR MODEL 213		5	2 2
XEROX	MULTI-LING. (STANDARD) STAR 8014 (1) (TEMPEST) STAR 8014 (1)		2	2 2
	PRINT SERVER (TEMPEST) SERVER 8046 (STANDARD) SERVER8046		2	2 4
DATA-FUSION	TSP PDP-11 (1) AFP (2) DISK CONTR.(2) DISK (2x300MB) DISK (6x300MB)			
	TOTAL			8

ESL

A Subsidiary of TRW

FBIS— HARDWARE AND PURCHASED SOFTWARE (CONT'D)



	EQUIPMENT		TRANSLATION SERVICES	DAILY OPERATIONS	ANALYTICAL SERVICES	
VENDOR	SUBSYSTEM	COMPONENT	NUMBER	NUMBER	NUMBER	
BRITTON LEE	IDM 500/2	PROC. (2)				
		MEMORY (2 MB)				
		DISK CONTR.(1)				
		OPTIONS	MEMORY (4 MB)			
			DISK CONTR.(3)			
		TAPE CONTR.(1)				
		MIRRORED DISK				
		ETHERNET				
		TAPE DRIVE (2)				
	INSTALL.	TOTAL			1	
	DISK	DISK (1x621MB)			16	
	SOFTWARE	OMNIBASE (3)			1	
RTI	INGRES	REL. DBMS	1	1		

ESL
A Subsidiary of TRW

**FBIS—HARDWARE AND
PURCHASED SOFTWARE (CONT'D)**

TRW

VENDOR	EQUIPMENT SUBSYSTEM	COMPONENT	TRANSLATION SERVICES NUMBER	DAILY OPERATIONS NUMBER	ANALYTICAL SERVICES NUMBER
DEC	VAX 11/785 VAXCLUSTER (FIRST)	VAX 11/785 (1) MEMORY (4MB) STARCOUPLER(1) HSC50 CONTR(1) Disk I/F (1) VMS LICENSE(1) DECNET LIC.(1) DZ11-DP I/F(1) LA120 Cons.(1) TOTAL			1
	(UPGRADE)	VAX 11/785 (1) MEMORY (4MB) VMS LIC.(1) DECNET LIC.(1) DZ11-DP I/F(1) DA120 Cons.(1) TOTAL	1 1	1 1	
	OPTIONS	FL. POINT			2
	DISK FARM	HSC50 CONTR(1) Disk I/F (1) POWER SUPPLY Disk (3x456MB, IN CABINET)			3 5 29 6 34
	TAPE DRIVES	TU78-16/62(2)	1	1	2
	ETHERNET	ROUTER	1	1	1
	LINE PRINT.	LP11-EB 600L/M	1	1	3
	POWER	POWER CONTROL	1	1	3

ESL
A Subsidiary of TRW

**FBIS—HARDWARE AND
PURCHASED SOFTWARE (CONT'D)**



EQUIPMENT			TRANSLATION SERVICES	DAILY OPERATIONS	ANALYTICAL SERVICES
VENDOR	SUBSYSTEM	COMPONENT	NUMBER	NUMBER	NUMBER
DEC (CONTINUED)					
	VAX 11/785	VAX 11/785 (1) MEMORY (2MB)			
		VMS LICENSE(1)		1	
	VAX 11/750	VAX 11/750 (1) MEMORY (2MB)			
		VMS LICENSE(1)			1
	MEMORY	MEMORY (2MB)	1		1
	DISK	UDA50 CONTR. DISK (2x456MB)	1		1
	SOFTWARE	LANG., DECNET VMS DISTRIB.	1		1
IBM			0	1	3
	PC (STANDARD)				1
		PC-AT MONO. DISPLAY NETWORK ADAPT. DISPLAY ADAPT. GRAPHICS ADAPT. CABLE DOS 3.1 NETWORK S/W XYWRITE S/W SYMPHONY S/W			
		TOTAL	43	16	
	(TEMPEST)				
		PC-AT MONO. DISPLAY (SAME OTHER)			
		TOTAL			225
	MULTI-LINGUAL				
		ECI H/W+S/W	2	2	2

ESL
A Subsidiary of TRW

FBIS-HARDWARE AND PURCHASED SOFTWARE (CONT'D)



EQUIPMENT			TRANSLATION SERVICES	DAILY OPERATIONS	ANALYTICAL SERVICES
VENDOR	SUBSYSTEM	COMPONENT	NUMBER	NUMBER	NUMBER
TEXET	COMPOSITION	LP9000:			
		Disk(1x167MB)			
		HI-RES SCREEN			
		TERMINAL	5	3	2
		SOFTWARE	1	1	1
		IL 900 CONTR.	1	1	1
		LAN	1	1	1
		LASER PRINT.	1	1	1
		TYPESETTER	1	1	1
		SCANNER	2	2	2
ANALYTIC	AUTODIN INTERFACE	TLC-100	1		

ESL

A Subsidiary of TRW

FBIS—HARDWARE AND PURCHASED SOFTWARE (CONT'D)**TRW**

VENDOR	EQUIPMENT SUBSYSTEM	COMPONENT	TRANSLATION SERVICES NUMBER	DAILY OPERATIONS NUMBER	ANALYTICAL SERVICES NUMBER
SII	HARDWARE	TXP PROC.		2	2
		TXP MICROCODE		2	2
		MEMORY (2MB)		4	4
		CABINET		1	1
		PATCH PAN. CAB.		2	2
		POWER MODULE		3	3
		O&S PROC.		1	1
		6530 TERMINAL		1	1
		DISK (1x300MB)	10	6	6
		DISK CONTR.		6	4
		DISK PATCH PAN		3	2
		TAPE (TRI D)		2	2
		TAPE CONTR.		2	2
		LINE PRINTER		1	1
		PRINTER CONTR.		1	1
		MODEM PACKAGE		1	1
		TERM. (COYOTE)	31		50
		FAULT TOL. MOD.	4		8
		UCI ADAPTER			4
		U. PATCH PANEL			2
		BYTE S. CONTR.			2
		SYNCH. PAT. PAN.			1
		ASYNCH CONTR.			1
		ASYNCH PAT. PAN.			1
	SOFTWARE	WIRE SERVICE			1
		MAGEN			2
		SPELLBINDER	1		1
		WORD PROC.	1		1
		EDIT TRACE	1		1

ESL
A Subsidiary of TRW

FBIS—SOFTWARE DEVELOPMENT



CPCI	SOFTWARE CPC	FUNCTION	LINES OF CODE: FUNCTION CPC	HOST PROC.	
DATA BASE SERVICES	DATA ENTRY	TEXT		VAX	
		REFORMATTING	300		
		STORAGE	400		
		COMPRESSION	1000		
		EXTRACTION	1200		
		LOGGING	200		
		ATTRIBUTE			
		REFORMATTING	600		
		STORAGE	200		
		GRAPHICS			
		REFORMATTING	200		
		RUN-LENGTH ENCOD.	200		
		STORAGE	200	4500	
		DATA RETRIEVAL			VAX
		TEXT	200		
ATTRIBUTE	800				
GRAPHICS	200	1200			
QUERY MONITOR			VAX		
	PARSING	800			
	TRANSLATION				
	TEXT SEARCH	400			
	ATTRIBUTE	400			
	STEP-BY-STEP				

ESL
A Subsidiary of TRW

FBIS—SOFTWARE DEVELOPMENT (CONT'D)



CPCI	SOFTWARE CPC	FUNCTION MANAGEMENT	LINES OF FUNCTION	CODE: CPC	HOST PROC.
			1200	2800	
DATA BASE SERVICES (CONTINUED)					
	DATA				
	ORGANIZER				VAX
		ORIGINAL TEXT	600		
		SEARCH TEXT	1000		
		ATTRIBUTE	500	2100	
	APPLICATION SOFTWARE				VAX
		APPLIC. MGMT.	1200		
		REPORT GEN.	1200	2400	
	UTILITY INTERFACE				IBM PC
		SPREADSHEET	400		
		BUSINESS GRAPHICS	400	800	
	DEVICE HANDLER				
		DATAFUSION TSP	1200		VAX
		DATAFUSION TSP	2400	3600	TSP

ESL

A Subsidiary of TRW

FBIS—SOFTWARE DEVELOPMENT (CONT'D)



CPCI	SOFTWARE CPC	FUNCTION	LINES OF FUNCTION	CODE: CPC	HOST PROC.
COMMUNI- CATION	NETWORK I/F & MGMT.	IBM PC VAX	600 1000	1600	IBM PC
	AUTODIN INTERFACE		800	800	SII
	WIRE SERVICE		800	800	SII
	HOST INTERFACE	ROUTER SEND ROUTER RECEIVE	300 300	600	ROUTER ROUTER
	FILE CONVERSION	AUTODIN/SII TEXT	400		SII
		IBM PC/VAX TEXT	600		VAX
		GRAPHICS SII/VAX			VAX
		TEXT	800	800	
		XEROX/VAX TEXT	600		VAX
		GRAPHICS TEXET/VAX	600		VAX
		TEXT			
		GRAPHICS OCR/IBM PC	400		IBM PC
		TEXT		2600	

ESL
A Subsidiary of TRW

FBIS-SOFTWARE DEVELOPMENT (CONT'D)



CPCI	SOFTWARE CPC	FUNCTION	LINES OF CODE: FUNCTION CPC	HOST PROC.
USER INTERFACE	GENERAL	FORMS I/F VALIDATION DBMS I/F		IBM PC
	DATA BASE SERVICES			1200
		QUERY	1000	
		BROWSE	600	
		REPORT	400	
	MT&C	GRAPHICS	800	2800
		GENERAL IC	1200 600	
				1800
OVERALL	TOTAL:			30400

*Doesn't include
file structures &
products data base*

ESL
A Subsidiary of TRW

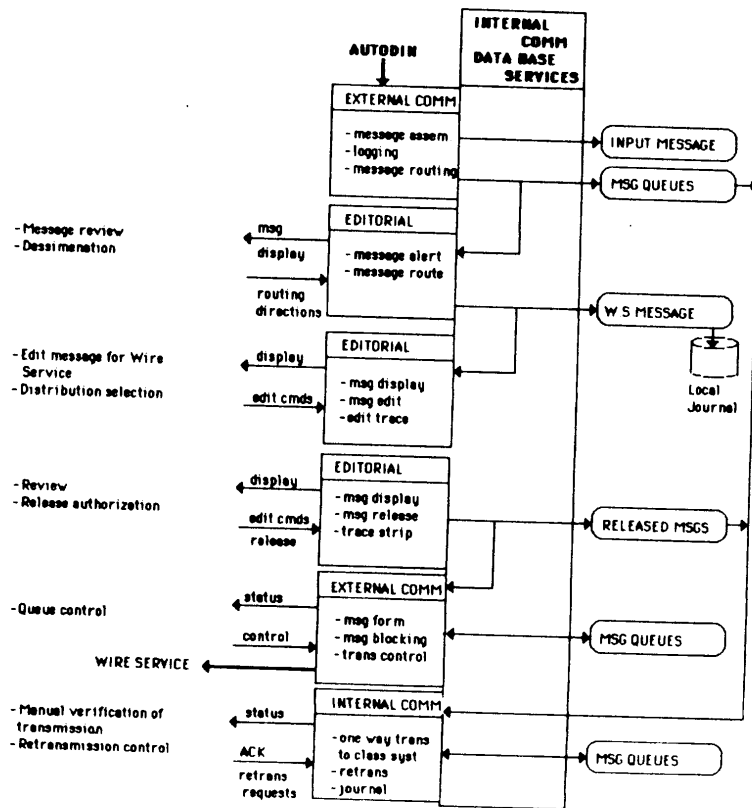
FBIS - HEADQUARTERS

TRW

- o OVERALL DESIGN
- o DAILY OPERATIONS SUBSYSTEM
- o TRANSLATION SERVICES SUBSYSTEM
- o ANALYTICAL SERVICES SUBSYSTEM
- o DESIGN SUMMARY
- > o OPERATIONS CONCEPT
 - PROCESS FLOWS AND FEATURES
- o SUMMARY

ESL
A Subsidiary of TRW

FBIS - WIRE SERVICE PROCESS FLOW



ESL
A Subsidiary of TRW

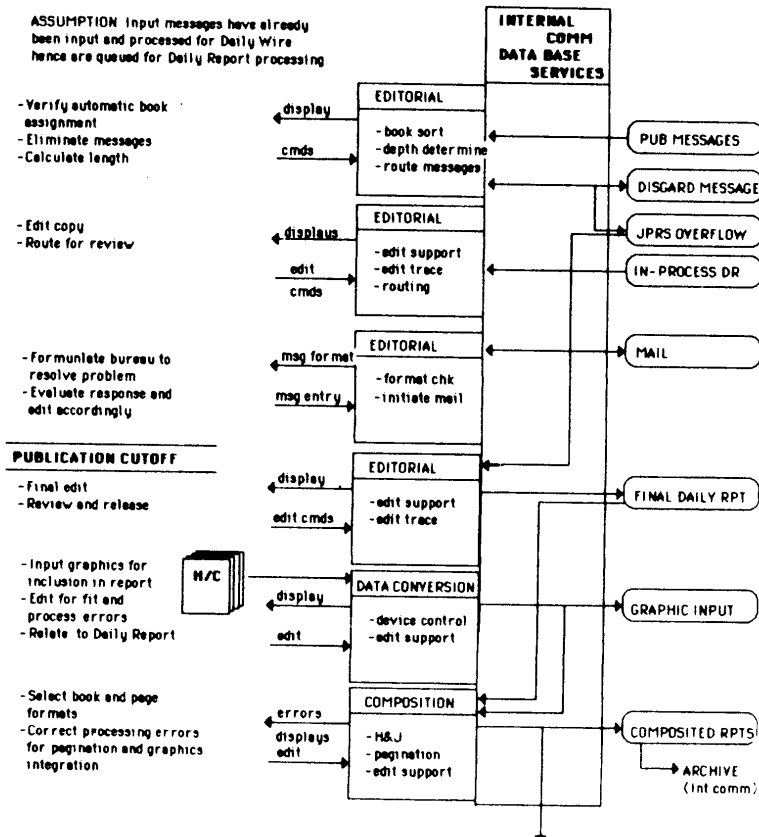
FBIS-PROCESS HIGHLIGHTS: WIRE SERVICE

TRW

- O MESSAGE DISSEMINATION IS IMMEDIATE
USING INTERNAL COMMUNICATIONS CAPABILITY
- O MESSAGE FORMULATION, EDIT, AND AUTHORIZED RELEASE
CYCLE IS EXPEDITED THROUGH ELECTRONIC MAIL
- O INTERNAL COMMUNICATION IS A ONE-WAY LINK
INTO THE CLASSIFIED ANALYTICAL SERVICE SUBSYSTEM

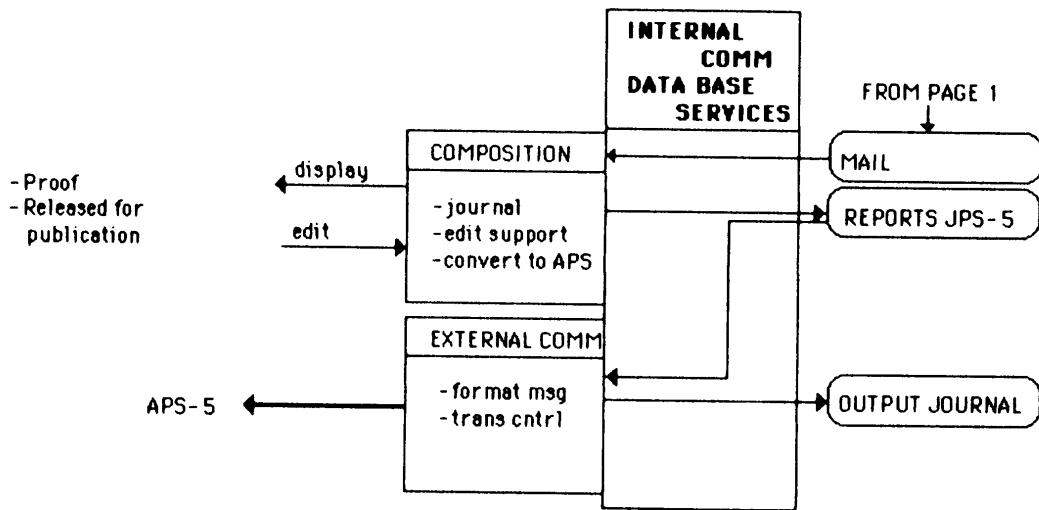
ESL
A Subsidiary of TRW

FBIS - DAILY REPORT PROCESS FLOW



ESL
A Subsidiary of TRW

FBIS-DAILY REPORT PROCESS FLOW (CONT'D)



Declassified and Approved For Release 2012/05/31 : CIA-RDP88-00218R000300030001-0

ESL
A Subsidiary of TRW

FBIS-PROCESS HIGHLIGHTS: DAILY REPORT

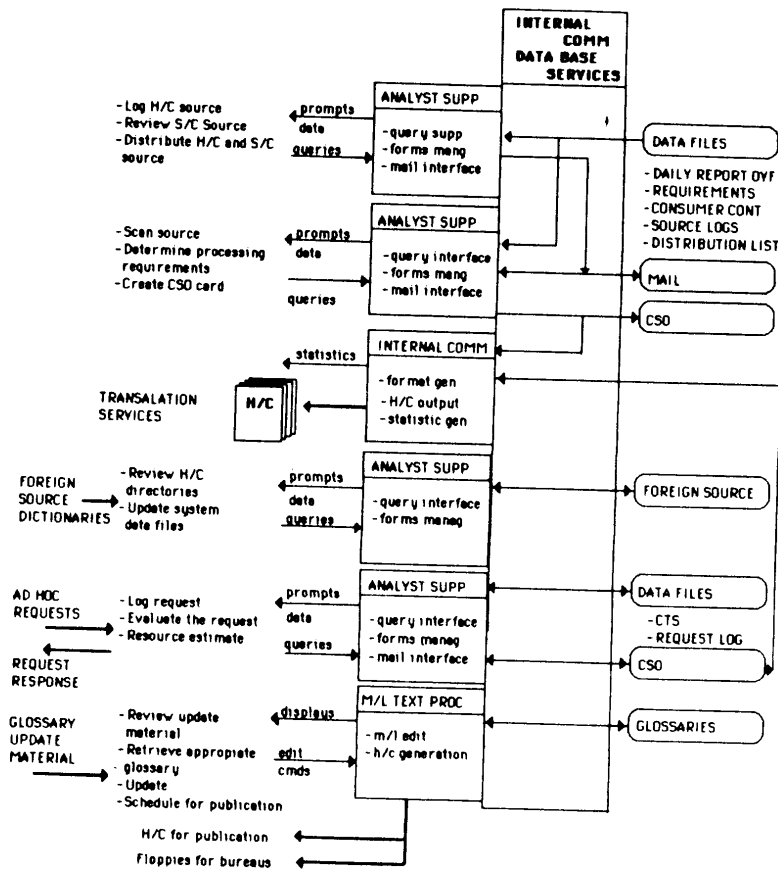
TRW

-
- O ALL BOOKS ARE AUTOMATED UNDER A SINGLE OPERATIONAL PROCEDURE
 - O EDITORIAL ACTIVITIES ARE SEPARATED FROM COMPOSITION ACTIVITIES
 - O SCANNED GRAPHICS AND TEXT ARE MERGED DURING COMPOSITION

Declassified and Approved For Release 2012/05/31 : CIA-RDP88-00218R000300030001-0

ESL
A Subsidiary of TRW

FBI-SOURCE EVALUATION PROCESS FLOW



Declassified and Approved For Release 2012/05/31 : CIA-RDP88-00218R000300030001-0

ESL

A Subsidiary of TRW

FBIS-PROCESS HIGHLIGHTS: SOURCE EVALUATION

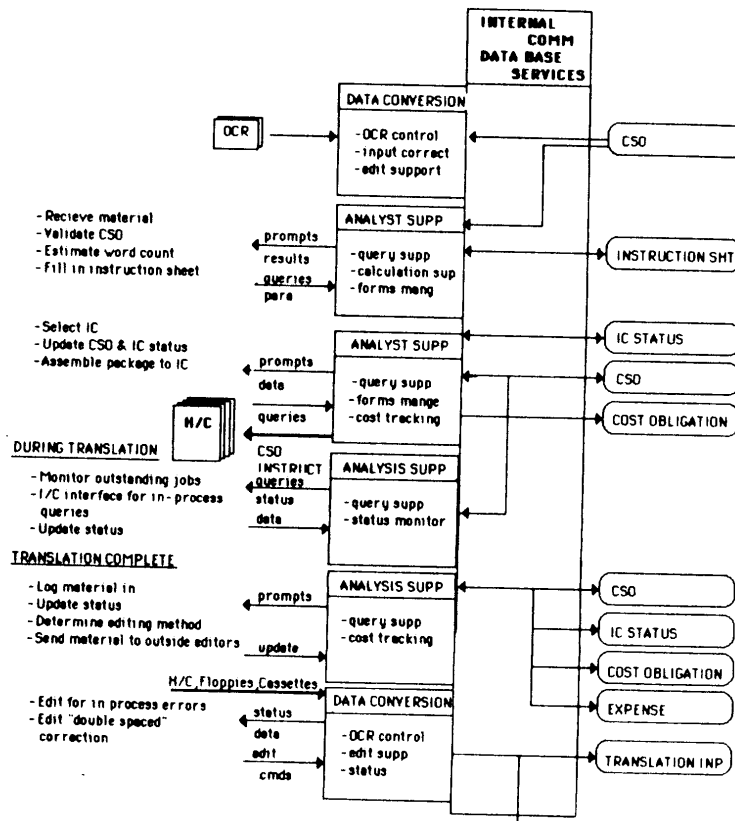
TRW

- o SEMI-AUTOMATED CSO CARD INTERFACE
- o GLOSSARIES MAINTAINED ON UNCLASSIFIED
DAILY OPERATIONS SUBSYSTEM

Declassified and Approved For Release 2012/05/31 : CIA-RDP88-00218R000300030001-0

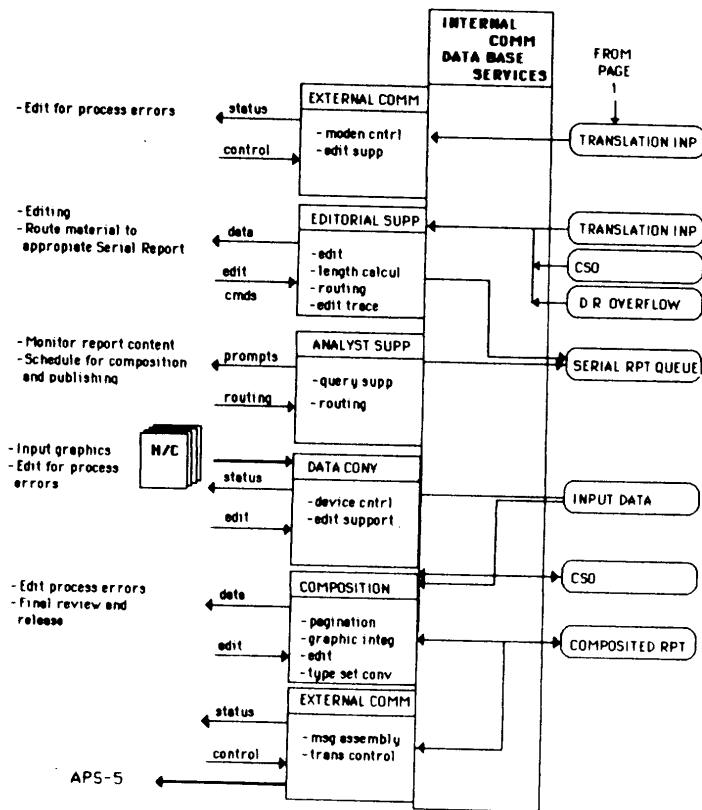
ESL
A Subsidiary of TRW

FBIS - SOURCE TRANSLATION PROCESS FLOW



ESL
A Subsidiary of TRW

FBIS—SOURCE TRANSLATION PROCESS FLOW (CONT'D)



ESL
A Subsidiary of TRW

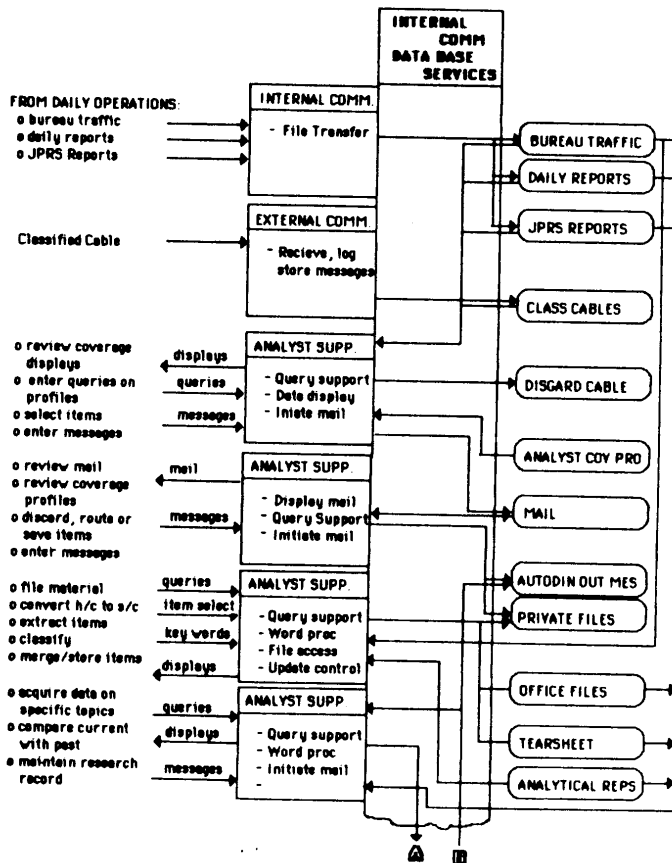
**FBIS-PROCESS HIGHLIGHTS:
SOURCE TRANSLATION**

TRW

- O CANDIDATE INDEPENDENT CONTRACTORS ARE INITIALLY
NOMINATED BY MATCHING THE JOB REQUIREMENT PROFILE
WITH THE IC PERSONNEL FILE
- O PROPOSED BUDGET AND SCHEDULE ESTIMATES ARE
CALCULATED AUTOMATICALLY BASED ON WORD CONTENT
AND IC CONTRACT PARAMETERS
- O JOB STATUS CHECK IS COMPUTER-AIDED
- O TRANSLATED ITEMS UTILIZE FBIS EDITORIAL AND
COMPOSITION RESOURCES

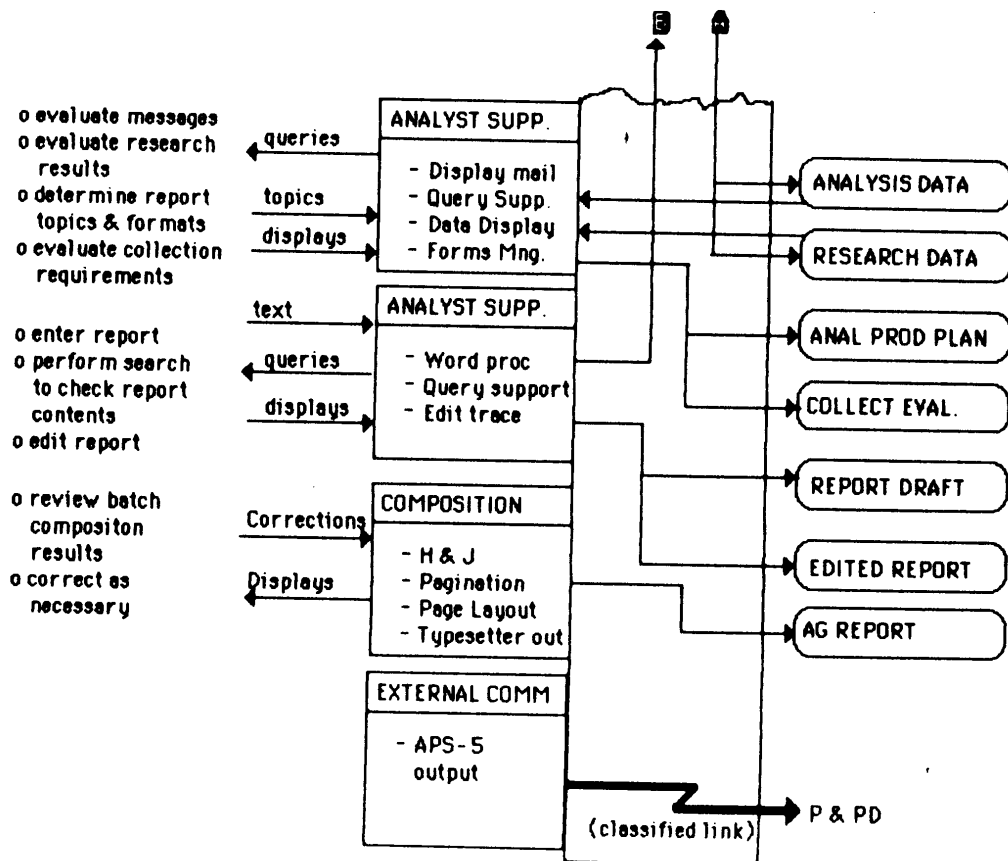
ESL
A Subsidiary of TRW

FBI—RESEARCH PROCESS FLOW



ESL
A Subsidiary of TRW

FBIS-RESEARCH PROCESS FLOW



ESL
A Subsidiary of TRW

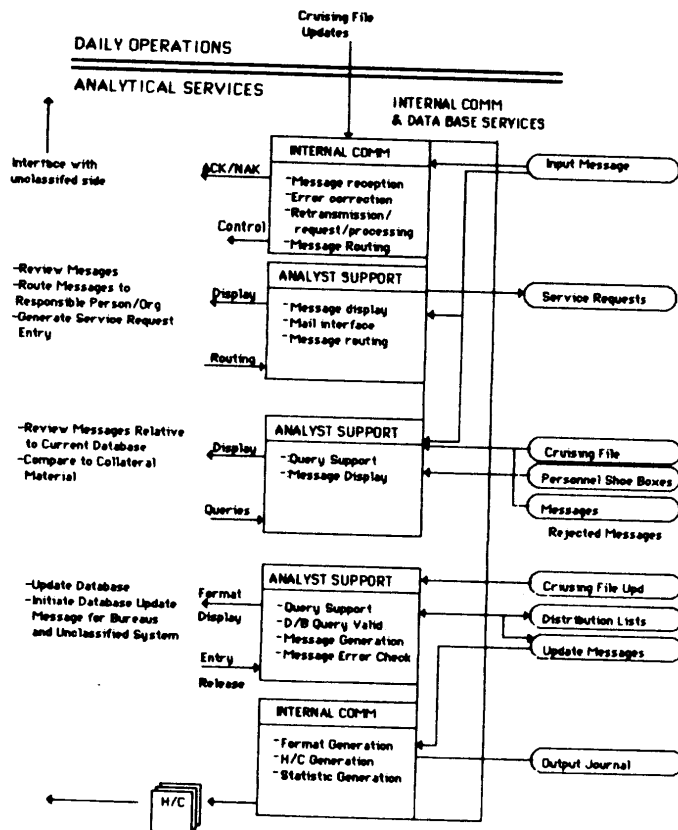
FBIS-PROCESS HIGHLIGHTS: RESEARCH SERVICES

TRW

- O RESEARCH STAFF CONSTRUCT THE CENTRAL OFFICE FILE
WITH THE COMPUTER-AIDED KEYING TOOLS
- O CENTRAL OFFICE FILES ARE KEYED TO A SINGLE
SOURCE MATERIAL DATA BASE
- O FULL TEXT SEARCHES ARE PERFORMED AGAINST THE
SOURCE MATERIAL DATA

ESL
A Subsidiary of TRW

FBI - TECHNICAL FILE UPDATE PROCESS FLOW



ESL
A Subsidiary of TRW

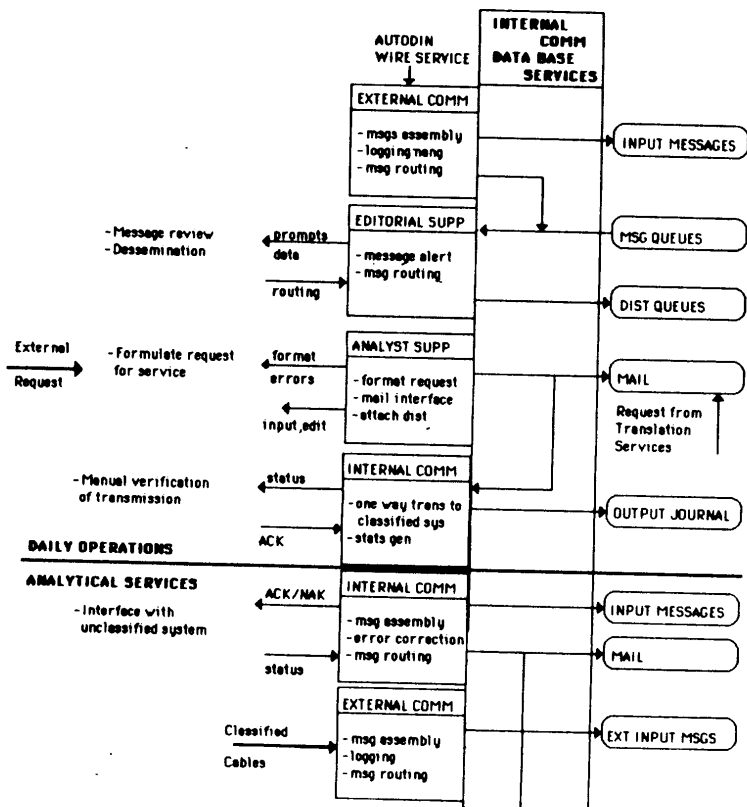
FBIS-PROCESS HIGHLIGHTS: TECHNICAL UPDATE



- THE DISSEMINATION OF ENGINEERING MESSAGES THROUGH THE INTERNAL COMMUNICATIONS NETWORK OF HEADQUARTERS SUPPORTS THE TIMELY NOTIFICATION OF CHANGES
- CRUISING AND COVERAGE SCHEDULES RELECT A COMPLETE COMMON DATA BASE MAINTAINED AND CONTROLLED AT HEADQUARTERS

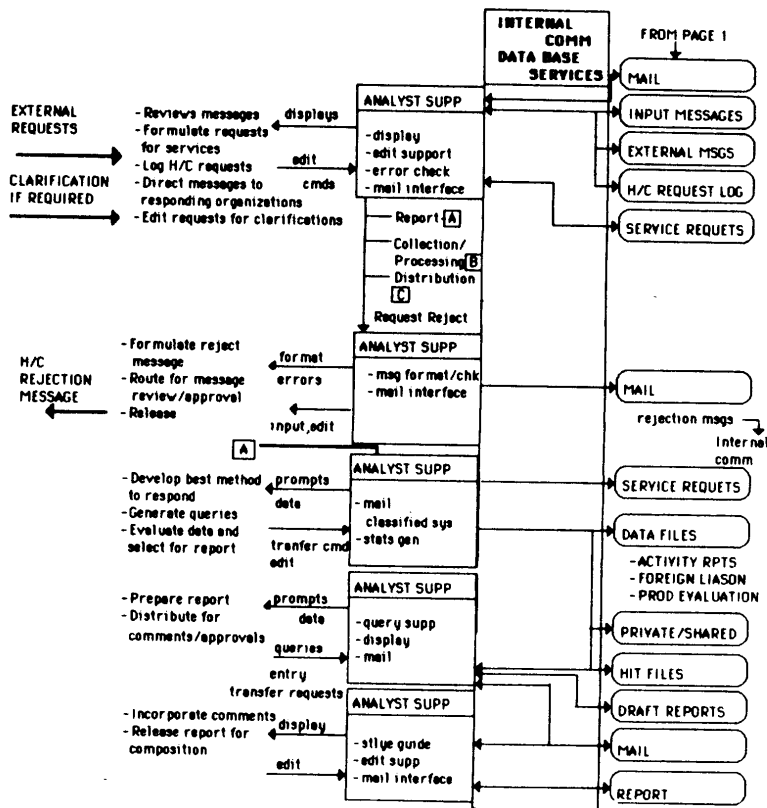
ESL
A Subsidiary of TRW

FBIS-PROCESSING REQUEST PROCESS FLOW (1 OF 4)



ESL
A Subsidiary of TRW

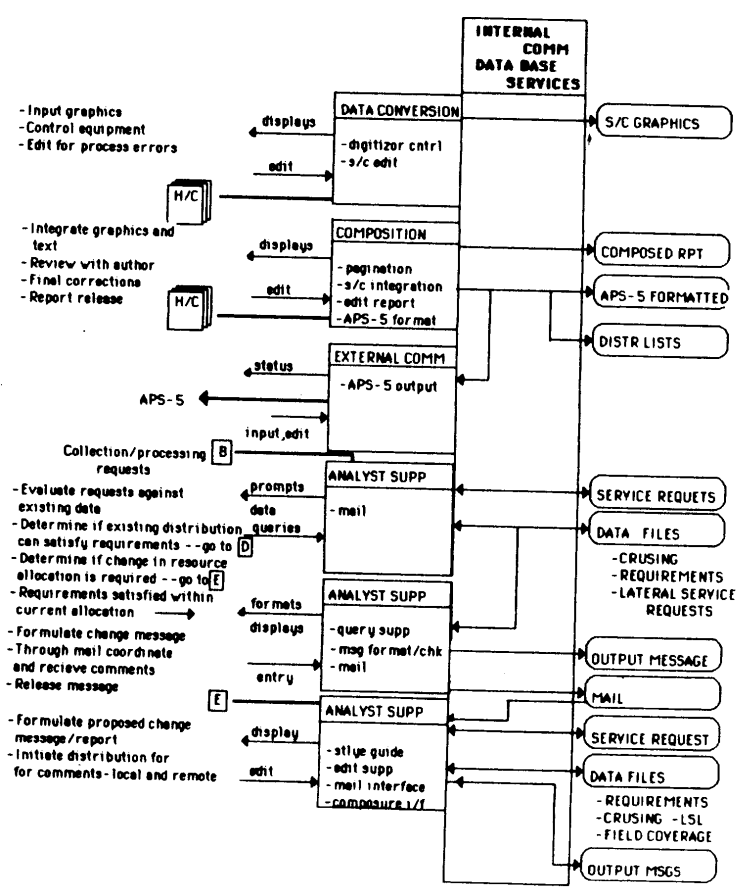
FBIS-PROCESSING REQUEST PROCESS FLOW (2 OF 4)



ESL

A Subsidiary of TRW

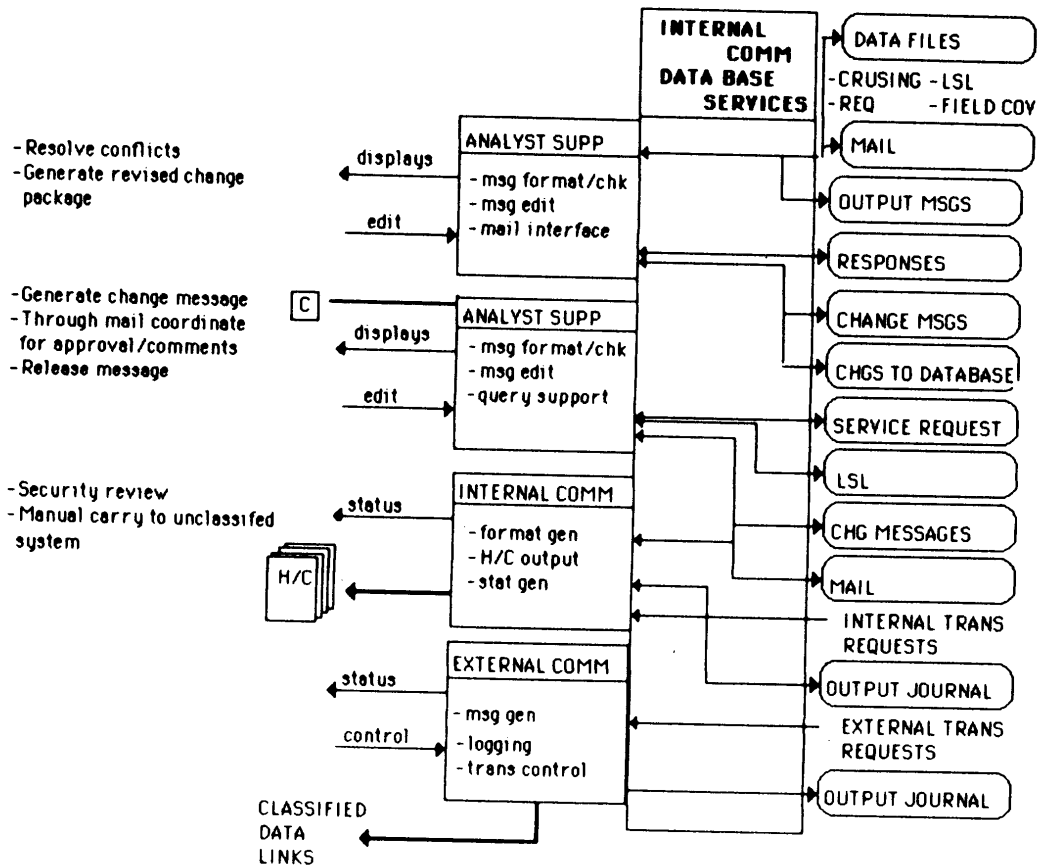
FBIS PROCESSING REQUEST PROCESS FLOW (3 OF 4)



ESL

A Subsidiary of TRW

FBIS-PROCESSING REQUEST PROCESS FLOW (4 OF 4)



ESL
A Subsidiary of TRW

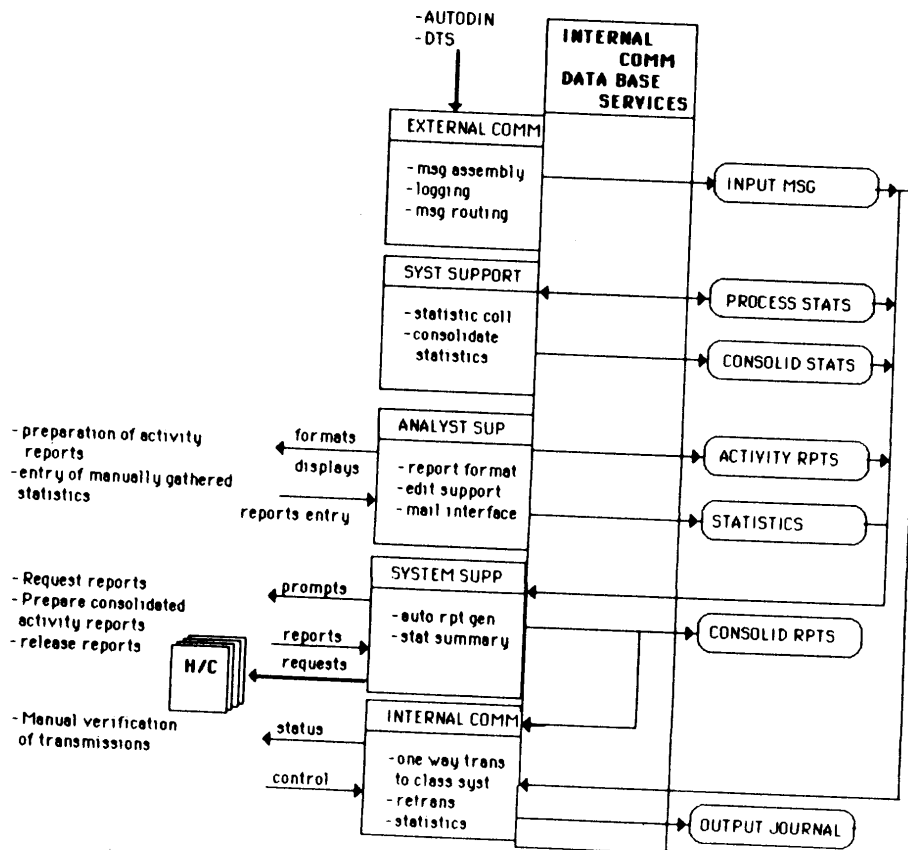
FBIS—PROCESS HIGHLIGHTS: REQUESTED SERVICES



- O SERVICE REQUESTS, JOB TRACKING, AND CONSUMER REQUIREMENTS ARE COORDINATED VIA MAIL SERVICE
- O SERVICE REQUESTS ARE REVIEWED AND DISPOSTION NOTIFIED IN A TIMELY FASHION
- O SERVICES LISTS ARE CONTROLLED AND MAINTAINED FROM A COMMON DATA BASE AND DISTRIBUTED THROUGH EXTERNAL COMMUNICATION TO THE FIELD BUREAUS

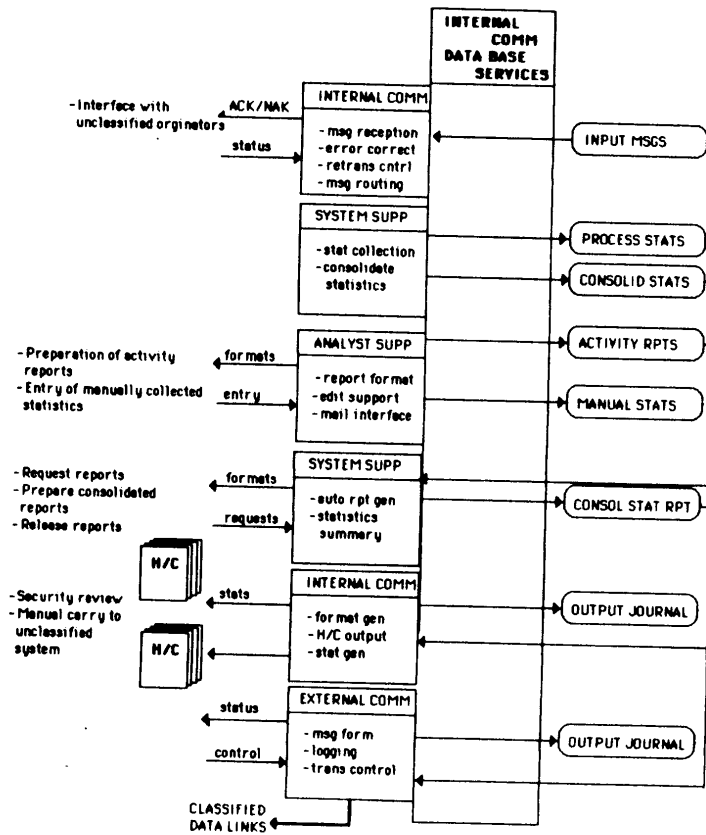
ESL
A Subsidiary of TRW

FBIS - ADMINISTRATION DATA PROCESS FLOW



ESL

A Subsidiary of TRW **FBI—ADMINISTRATION DATA PROCESS FLOW (CONT'D)**



ESL
A Subsidiary of TRW

FBIS-PROCESS HIGHLIGHTS: ADMINISTRATIVE



- STATISTICS FROM FBIS-WIDE ACTIVITIES ARE COLLECTED AND FILED AUTOMATICALLY
- STATISTICS ARE ALSO COLLECTED AND FILED MANUALLY ON APPROPRIATE PROCESSES
- SYSTEM STATISTICS ARE GATHERED IN THE ANALYTICAL SERVICES SUBSYSTEM
- ANALYSIS AND EVALUATION OF THESE STATISTICS ARE PERFORMED BY BUREAU AND EACH SUBSYSTEM

ESL
A Subsidiary of TRW

FBIS-HEADQUARTERS

TRW

- o OVERALL DESIGN
- o DAILY OPERATIONS SUBSYSTEM
- o TRANSLATION SERVICES SUBSYSTEM
- o ANALYTICAL SERVICES SUBSYSTEM
- o DESIGN SUMMARY
- o OPERATIONS CONCEPT
- > o SUMMARY

ESL
A Subsidiary of TRW

FBIS-HEADQUARTERS: SYSTEM FEATURES



- COMPLETE AND FULLY CAPABLE
 - EDITORIAL AND COMPOSITION SUPPORT
 - LARGE-SCALE TEXT DATA BASE STORAGE AND SEARCH
 - QUALITY FACILITIES FOR SPREADSHEET AND RELATED FUNCTIONS

- LOW RISK
 - OFF-THE-SHELF PRODUCT HARDWARE
 - ESTABLISHED SOFTWARE PACKAGES FOR BASIC CAPABILITIES
 - NECESSARY SOFTWARE DEVELOPMENT ALMOST ENTIRELY AT A HIGH LEVEL
 - NO HIGH-PERFORMANCE INTERFACES REQUIRED

- PERFORMANCE ACHIEVES OR EXCEEDS DESIRES IN ALL AREAS

- FUTURE DIRECTIONS ACCOMMODATED VERY WELL
 - EASY TO ADD WORKSTATIONS AND OTHER DEVICES
 - SYMMETRY OF DESIGN COULD EASILY SUPPORT AN UNCLASSIFIED ARCHIVAL DATA BASE
 - TEXT-SEARCH-IN-CONTEXT ADVANCES CAN BE EASILY ACCOMMODATED BY FREE TEXT SEARCH APPROACH

Declassified and Approved For Release 2012/05/31 : CIA-RDP88-00218R000300030001-0

ESL
A Subsidiary of TRW

TRW

6. PROGRAM COST/SCHEDULE UPDATE

Declassified and Approved For Release 2012/05/31 : CIA-RDP88-00218R000300030001-0

Declassified and Approved For Release 2012/05/31 : CIA-RDP88-00218R000300030001-0

ESL
A Subsidiary of TRW

TRW

7. PLANS FOR NEXT PHASE

Declassified and Approved For Release 2012/05/31 : CIA-RDP88-00218R000300030001-0

ESL
A Subsidiary of TRW

FBIS-PLANS FOR NEXT PHASE

TRW

ESL WILL:

- O PURSUE USER OPERABILITY AND SUITABILITY
- O KEEP TEAM AVAILABLE
- O FORM A TAILORED TEAM FOR ACQUISITION PHASE
- O CONTINUE DATA BASE INTERNAL R&D INVESTMENT