

Room 2

Joe / ~~Bob~~ Mel

Session # D-29

{ I is working against
internal layout/
functions/positions

B:W patterns

Concrete floor or asphalt
narrow walls.

Large bldg like A/C hangar

* focus on target object itself - describe in detail

smooth snout like a nose comes to a
point
ovals in a row going away on R.
side
looks like metal - gray color
thick alloy

The "Bs" have something to do with
nose - narrow
hooded windows

* what is principle function of object?
very powerful

** Mel - have him focus on object in its
entirety

Drives like an auto but has no
steering wheel

somekind of vehicle

* where do personnel which operate
vehicle located?

boxes or compartments

like shielded compartments
very thick high backed seats
4 people for operations

front left - primary operator
front right - back-up operator

different place for other two

see's all four but sees plates
or boxes in between

* focus on other - what do they do

1 has levers/handles
3 handles - looks thru
rubber eye piece like
a rubber bulb.

heavy over R. shoulder w slots
down side

sits near thing w/ bump like egg
cutout. sits sideways in
seat thing that folds down

5th person - like in charge.

these people (2) in charge of power
output

* what is power output?

like point of shiny pin blue/white

thick, dulled hard block steel very
hard metal grooves - I see
grooves. Can't tell if inside or
outside

side mounted tubes, small like hydraulic shocks on a car banded together - coming out at R. angles from the block thing.

everything looks padded - soft fibrous padding

very sm. packages 4x8" face - up to stack, 2 stacks. something looks like TV screen

guy with levers / buttons works this.

** Mel - have him explore the oscilloscope like thing associated w/ guy w/ levers

scope is a picture - color 2 sets - heavy red lines intersecting on top of one another; a circle - on the

They move when he pushes buttons comp

mini-key board computer 2 bars in front that he rests hands on so fingers to

Some kind of design function like lunar module this must what appears to be an aperture device that rotates to azimuth.

grey button = elevation on it
abbreviation for elevation

large red near thumb interlock
action button
buttons are square

different way of sensing on the
screen - IR one minute
camera like the next -

pictures of tanks/heavy armor
vehicle - some work-ups.

targets = pitch and yaw control
secondary back up power sys.

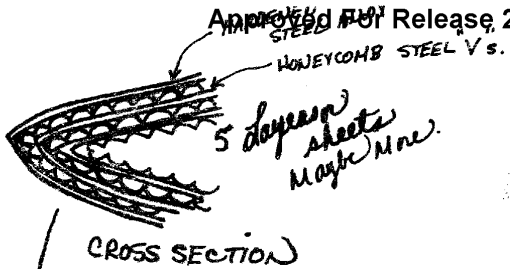
manual override sys for computer

small black box = only a "on"
light.

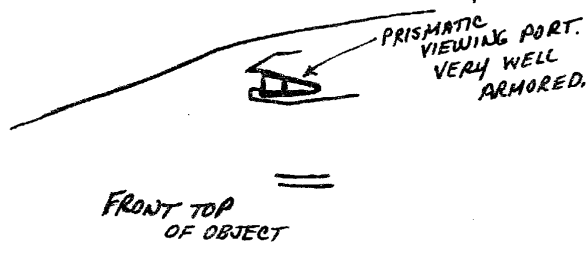
cassette systems load into
shock absorbing padded.

access 3 targets at one time
instantly go to big panel

(D)

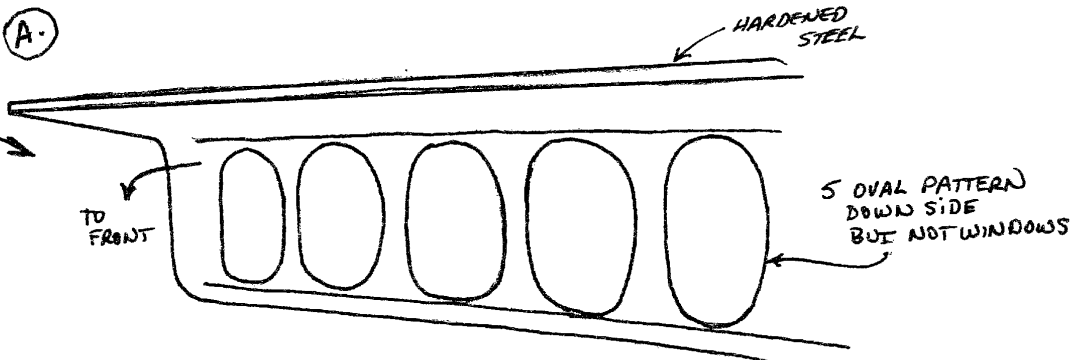


(C)

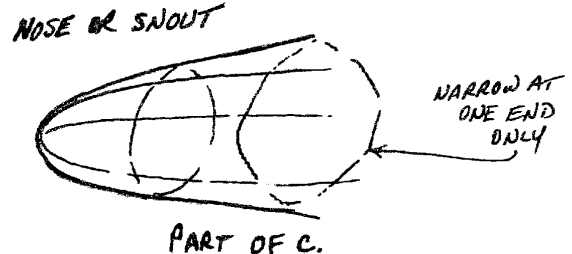


UP IN FRONT

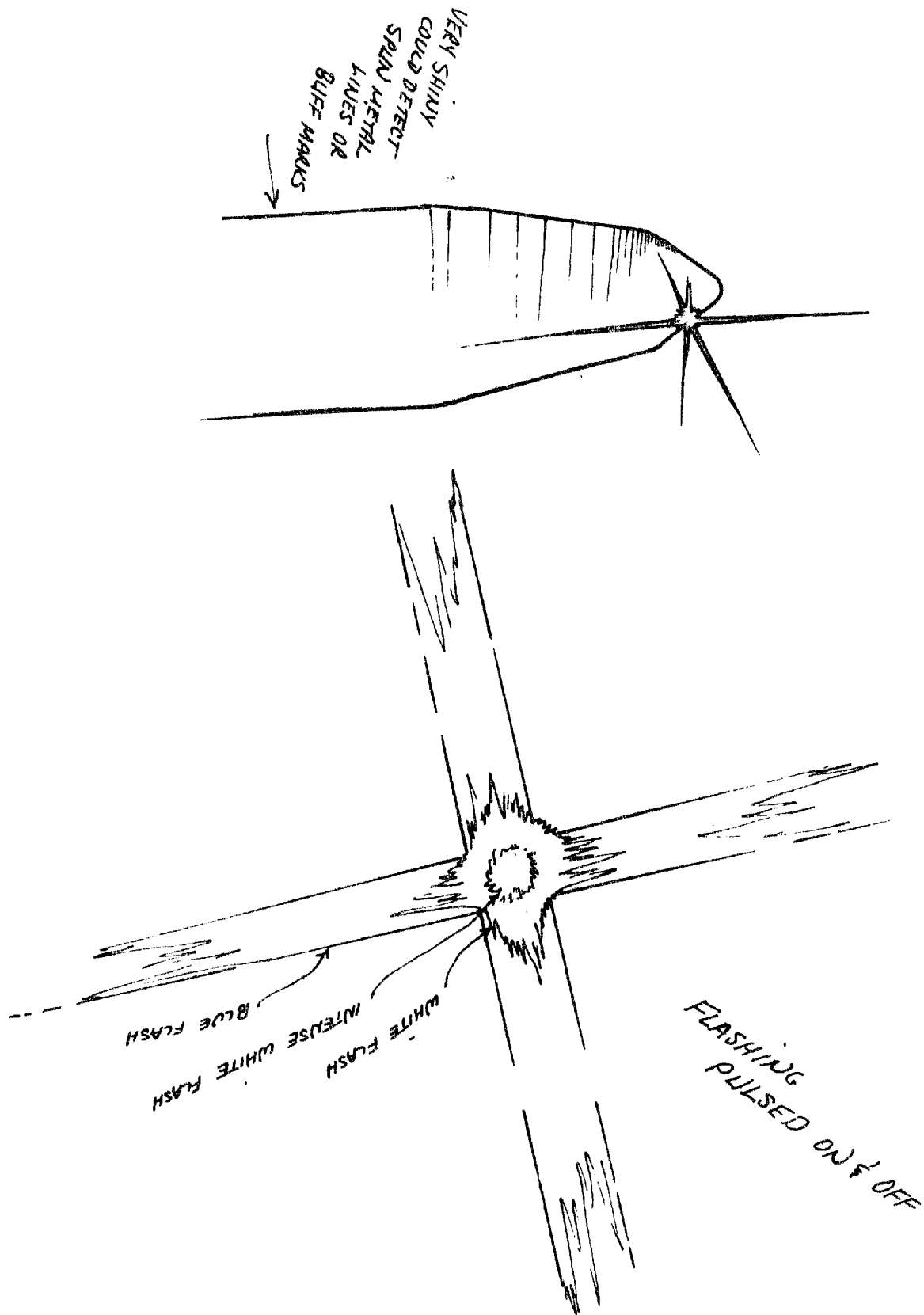
(A)

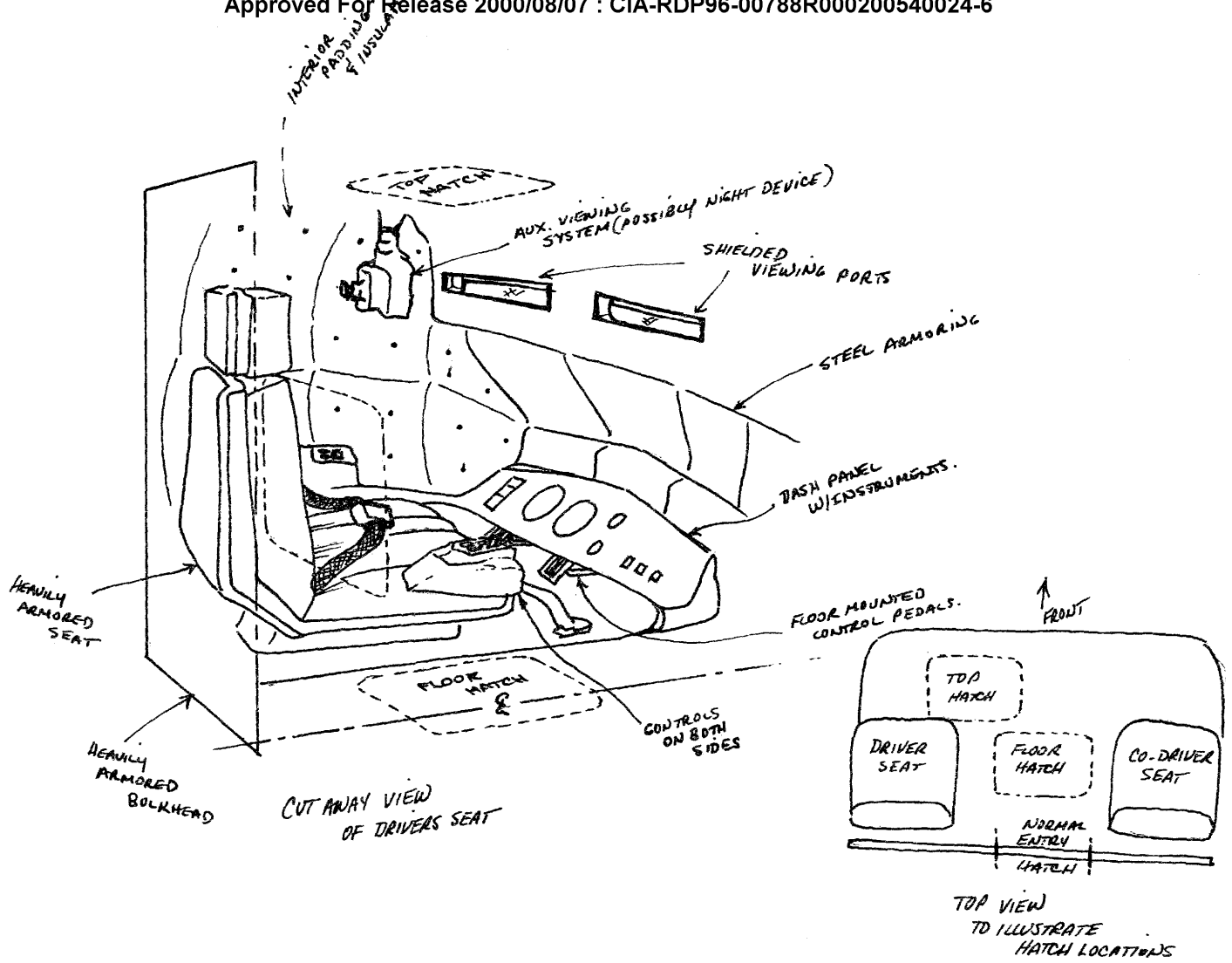


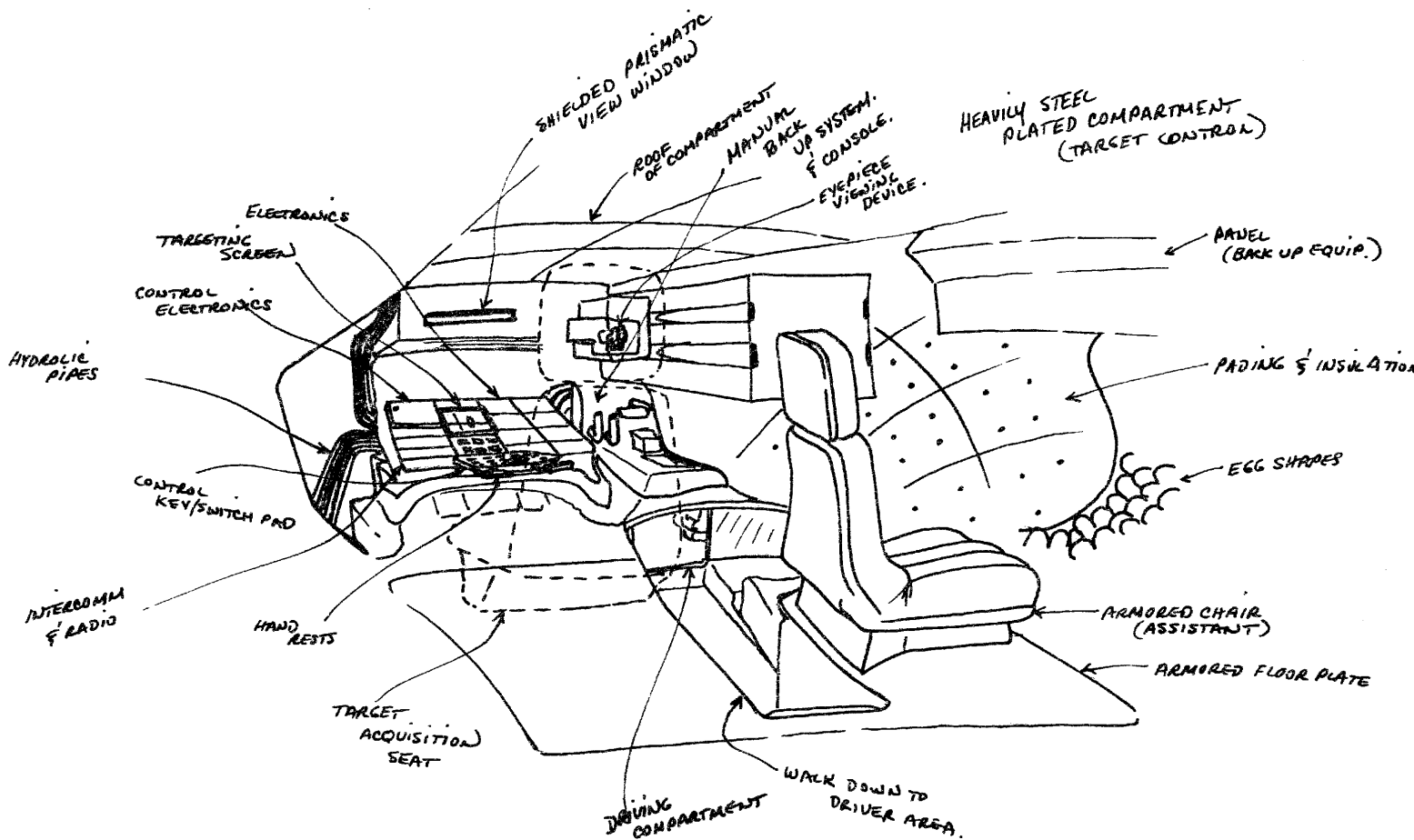
(B)

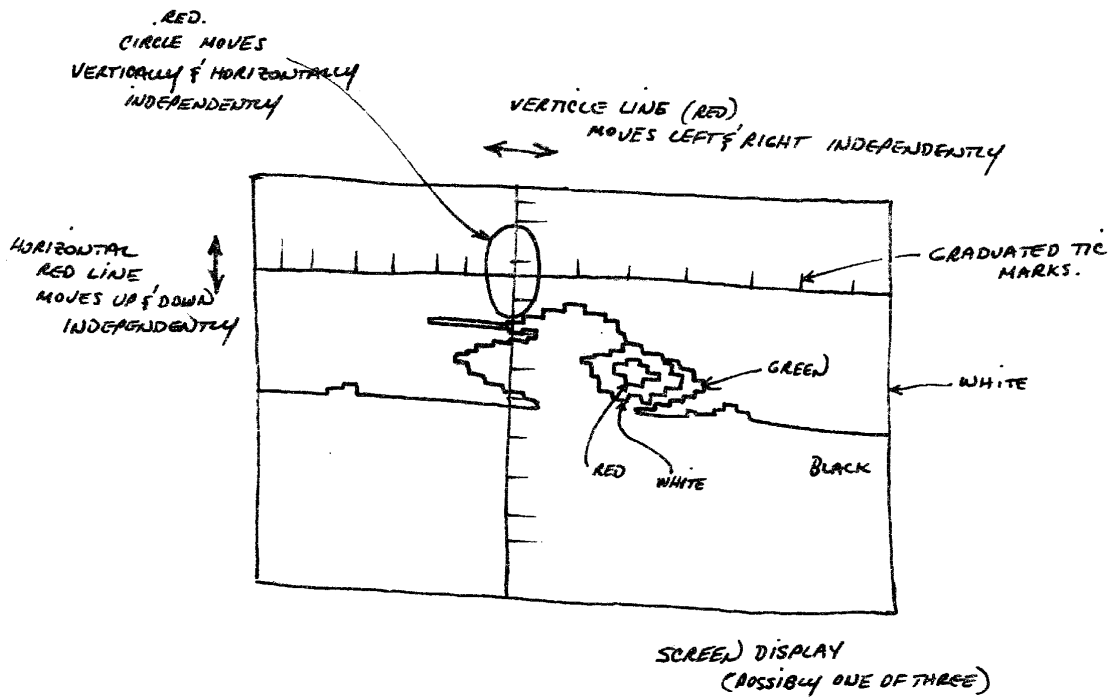


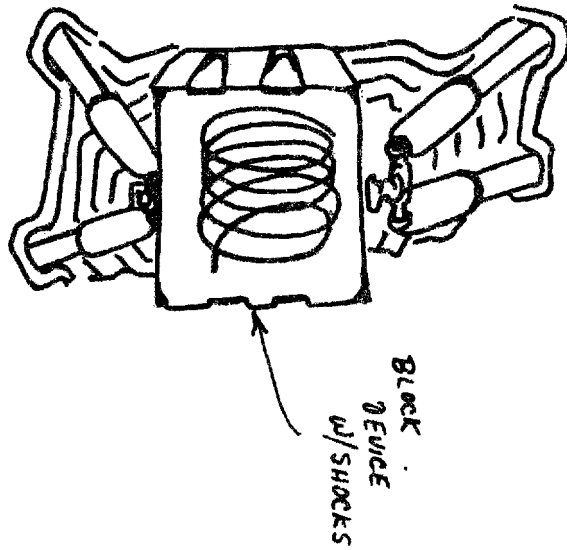
(1)











TARGET ACQUISITION
CONTROL PANEL.

