

SECRET

INSCOM
GRILL FLAME
PROGRAM

SESSION REPORT

GRILL FLAME

CLASSIFIED BY:MSG,DAMI-ISH

DATED: 051630ZJUL78

NOT RELEASABLE TO FOREIGN NATIONALS REVIEW ON: Aug 2000

SECRET

Copy 1 of 2 copies

SECRET

SUMMARY ANALYSIS

REMOTE VIEWING (RV) SESSION D-2

SG1A

1. (S/NOFORN) This report documents a remote viewing session conducted in compliance with a request for information on a target of interest. The mission was to describe a tent at a designated intersection
2. (S/NOFORN) The remote viewer's impressions of the target are provided as raw intelligence data and as such have not been subjected to any intermediate analysis, evaluation or collation. Interpretation and use of the information provided is the responsibility of the requestor.
3. (S/NOFORN) The protocol used for this session is detailed in the document Grill Flame Protocol, AMSAA Applied Remote Viewing Protocol (S), undated.
4. (S/NOFORN) Following is a transcript of the viewer's impressions during the remote viewing session. At TAB A are drawings made by the remote viewer reference his impressions of the target site. At TAB B is target cuing information provided the remote viewer.

NOT RELEASABLE TO FOREIGN NATIONALS

SECRET

SECRET

TRANSCRIPT

REMOTE VIEWING (RV) SESSION D-2

TIME

#66: This will be a remote viewing session for 0900 hours,
31 July 1980.

PAUSE

#66: Relax and concentrate now. Relax and concentrate. Focus your attention on the southwest corner of the intersection in the photograph I have shown you. Focus your attention on the southwest of the intersection in the photograph I have shown you. Move your awareness now in present time to the intersection and describe the southwest corner to me.

PAUSE

#01: It's like a.....building, but not a.....not an office building... large doors.....it's got swinging doors.

#66: Describe your position of observation.

#01: That's the road...

#66: Stand on the sidewalk and describe your immediate surroundings.

#01: Saw a three story wall...swinging doors...ramp...this is a ramp... my left.....uh.....metal racks...bicycle racks.....walk up steps.....

#66: Change your perspective so that you can see on your left hand one street extending down, and on your right hand the other street extending down, so you're facing the corner itself, right there at street level. One street going off to your left, and your left hand, one street going off to your right and your right hand. Describe for me the scene on your left.....

#01: It's, uh....it's like large posters....signs.....large vehicle parked there...this is a corner of a building, corner entrance doors....a staircase.

#66: And now the scene on your right.

+08 #01: A wall...

#66: And....between the wall and the street.....

#01: It's a ramp.....looks like, uh, round bags..... round bags.....some metal, saw a large bolt...sliding metal...

SECRET

SECRET

- +10 #01: Drum...drums.....metal drums.....
That's all I see.
- #66: Okay. Move over the top of the intersection now, so now you won't be standing at street level, but you'll be gently floating at about 100 feet above the ground, and as you look down you can see underneath you now the sidewalk and the street extending off to your right, and the sidewalk and the street extending off to your left. You are going to make sure we are on the southwest corner of this intersection, that you're not at another point corner of the intersection. The southwest corner. And describe from this perspective.
- #01: So grey...all there is is grey building...like a overhang of some kind.... The corner...corner room comes out...overhangs the sidewalk a little...entrance door is in the corner of the building... Looks like some kind of...tent covers, or something.
- #66: I'm interested in the tent. The tent is the target. Move into the tent and describe the inside.....
- +12 #01: Little tables.....just a minute.....somethin' shiny like brass... Men....see old men.....fire cooking.....some kind of food shop... in the tent...like you give food out.
- #66: Okay. Look around the tent, very carefully look around there, and as, work your way around and describe everything as we go around the tent. Briefly scan the tent there, and kind of look around. As you come in, what do you first see?...
- +15 #01: See, uh...some cloth, some high cloth wall...it's like, uh, cloth. And there's a...there's like a small table or box... There's old men sitting there, like with...Arabic like clothing on... I see a, a wall like with guns...some kind of rifles hanging on the wall...There's a table, and it's got, uh... green, green box of a radio...something, something burning in this tent...like a fire or something...people talking...by the back...see brass things...something brass, shiny, new...hinge, got hinges...see young, young people, too...talking, mostly talking...see wires, bundle of wires.....more, more guns, like weapons...but they're old fashioned, for some reason...like old fashion....
- Apparently, uh...vehicle parked near in the tent, like nose first, I see like a grill, a grill with some kind of lights.... Keep looking for cloth, cloth walls and I...I hit a wall but it's not, uh...it's cloth, but it's not cloth..... There's a hole in the back of the tent, or a, uh, a door...two steps and a door.....
- #66: All right, I'd like you now to focus your descriptive, I want you to remember very clearly, and everything you have seen so you may draw it for me later, but at the present time please

SECRET

SECRET

- #66: focus your descriptions on the floor, on the ground. Look very carefully all over the ground, and tell me what you see. Inside the tent on the ground.....
- +21 #01: See two metal plates.....there's.....it's like a ring... some kind of ring.....it's like a...a ...I keep...getting a flashing impression of a...a...the hoop is some kind of metal stairs, like, uh, stuck in the concrete...metal rails...
- #66: Okay...How does this hoop ring and stairs, does this in any way have to do with the metal plates you mentioned, or are they separate?.....
- #01: The, uh, metal plates are covers...it's like I'm looking out of a hole...like a hole in concrete...
- #66: Okay. Now, I'd like you to, at this time, focusing your attention on the inside of the tent, which you have described for me, I want you now to ask yourself the question concerning activity. Describe the activity in the tent.....
- #01: I get a...some kind of vendor activity, like uh...people coming and going...have a great feeling of people coming and going..... I had two...two impressions, one...like this is a...some kind of a vendor or something...but I get another impression that it's a place to come and go from...
- #66: Explain the comings and goings.
- #01: It's like, uh...people come and go like, going in that, and then going down a corridor and coming back up a corridor....
- #66: Break that out for me.....
- #01: See people going in and coming out, that's all I see of activity, and I keep asking why, and then I see a dark corridor, and there's same people going, going down and coming back through the corridor...
- #66: All right. Now, we would like to examine the duration of activity. You have two activities you have described, one of a going and a coming of people, and a corridor type activity, and the other being a vending type activity. I want you to scan, from present time through 24 hours into the future, and then back to present time, so that you may examine the activity over a time span, and we may determine from your description the duration of activity. Do so now.
- PAUSE
- #01: Getting...getting flashes of a towel, or something now... I don't see any activity after, uh, dark, nine maybe, nine-thirty at night. I don't see any activity.

SECRET

SECRET

- #66: In the tent.
- #01: In the tent.
- #66: Okay, march through and watch for something happening...
Is the tent occupied?
- +29 #01: No, the, uh...attached room is occupied, attached building or
attached room... It's dark... Five-thirty to six o'clock in the
morning it's, uh...it becomes active. Again only...couple peo-
ple...sleeping, uh...drinking tea...then activity just grows
through the day, and then stops again at night.
- #66: All right... Now you've described for me the activity in the
tent, you've described for me the twenty-four hour activity,
I now wish for you to address a description of the personalities
that you have mentioned. And I don't mean each individual per-
son by description, I mean the types of people you see associated
with this tent.
- #01: It's about fifty/fifty...all old people, young people. Old peo-
ple are like...old fashioned...wear old, uh, Arabic clothes, uh,
old customs, uh...I see close attachment to a clergy with the
old people. Young people are much more politically oriented,
rather than religious, but also...chiefly committed to the old
custom, rather than the new.
- #66: Which ones are the coming and going people?
- #01: Young people...are coming and going and the old people come and
stay, and go away at night.
- #66: I want you now to focus narrowly, are there any- I'm sorry.
Is there any other comments you'd like to make about the person-
alities?
- #01: No.
- #66: Okay. Focus on one event, one young person coming and going
event, and follow him in detail through his coming and going
and report it to me.....
- #01: He comes...comes to the tent.....doesn't...doesn't do anything
there...just talks for a minute, and leaves.....doesn't do
anything, just comes and goes. He comes and goes again. He
comes and goes twice, but he doesn't do anything.....
- #66: Search again for another event and see if one goes into the
tent.
- #01: He does.....
- #66: With whom does he speak when he went into the tent?.....

SECRET

SECRET

- #01: I can't tell if he...talked to somebody in the front or in the back...but he talked to another young person...and then left.
- #66: Okay.....You still have a young person who remains then?.....
In the tent?
- #01: I, uh...he must...must be in the, the connection room, 'cause he's not in the tent.
- #66: Okay. Somehow...a person goes into the tent...and talks to someone else. And then you say this someone else is in some other connected room, somehow?
- #01: Yes.
- #66: How does one get to this connected room?
- #01: Through the tent....I keep, I....I don't see the connected room... just someone coming and going...I know they talk in this connected room but I can't see it.
- #66: Okay.....
- #01: See a black square, is all I see. I look for a connected room, I see a black square...a door or a window....opening, the black square....
- +37 #66: Okay, I'd like to give you some time now to explore the target on your own and expand on any areas which you would like to.

PAUSE

- #01: Uh, I get a...feeling that this is, uh...directly associated to the...to...not the hostages specifically, but, uh...to a... specific group of hostages, to like specific hostages...but I don't know in what way... I get a sense that some of the hostages know...know this...tent...for some reason.... They do know the tent. I don't know why but...feel like they have this knowledge...I don't have anything else to add.
- #66: Okay. I'd like you to comment once again on the...somewhat, uh, peculiar description of the floor, and the ring, and the ladder and so forth. I'd like you to elaborate on that a bit more.
- #01: I see, uh...looks like some kind of a..."T" intersecting corridor that goes up in the air...and it's got a metal rung ladder in the concrete. And there's a metal ring, but I don't know what it goes to... I just keep seein', uh...double sheet, steel plate... I don't, I don't know how to explain it.
- #66: Standing in the tent...looking at the floor, standing in the tent and looking at the floor explain it to me from that perspective. From standing in the tent and looking at the floor, what does it look like from that perspective?

SECRET

SECRET

#01: Double steel plate in concrete...just steel plate in concrete...

#66: And under this?

#01: I see the...I see rungs, metal rungs, and a hole.

#66: And down the rungs, and down the hole?

#01: I see a curved arch...like a hallway, or something.

#66: And down the hallway?

#01: It goes...long way. Just goes a long way...I see connecting hallways...lights...that's all I see....

#66: Do a twenty-four hour time scan here and tell me if you see anything.

#01: I see people going in the corridors...going in the hallways..... See people going in the corridors.

#66: What type of people?

#01: Young people.....it's not as frequent as in the tent, though... doesn't appear to be, and not at night after dark they don't go... That's all I'm, uh, getting.

#66: Okay, I have no further questions. Is there anything you'd like to comment on before we draw?

#01: No, I don't have anything else.

#66: Okay, let's prepare to draw then.

#01: Okay. We had this...this, uh...tent. I get a...I get an impression that it's got some kind of stripe pattern to it and there's a wall behind it...page one..... This is a wall back here, and this is the entrance here... I feel like there's a stripe pattern to it, like an awning pattern..... Almost, it's almost literally right on the road...comes right out on the road... And inside...page two...I get an impression on the inside that, back where the wall is, there is a door, where that goes I don't know, but to the right there is a small table with a couple old men sitting there...call them O.M., for old men...and that there's some kind of...there's, there's a pole, or a wall, or a stanchion, or something, we'll call it stanchion...here with, uh, rifles. But I get an impression like they're old fashioned rifles, for some reason. And then working our way around, I get a feeling like there's, it's concrete...

#66: Underneath there?

#01: Yeah.

SECRET

SECRET

- #66: The floor, you mean?
- #01: The flooring's concrete, or stone, and that there's a table in this corner with a radio on it...
- #66: What type of radio?
- #01: I don't know, I get a green box. I guess I'll put that in parens here. Just a green box, and it's a radio, that's all I know, I don't know what kind it is.
- #66: Okay, what I'm trying to determine is whether you feel it's a military radio versus a civilian radio, what makes you say radio, and so forth.
- #01: It's not a commercial radio. It's either a home built, or a military radio, it's in a box, like in a metal box, and it's built into the metal box. Not like something you would buy to sit on your stereo, you know, this is something different.
- #66: It's, you're, do I understand you to say then that it's not civilian stylish?
- #01: No, it's not a stylish radio, it's a functional radio.
- #66: Okay.
- #01: Okay. I get a feelin' like there's, in this area right here, and I can't be any more specific than this, there's some kind of cooking...cooking or fire, for some reason. I don't know what that is. And then there's, uh...Oh, along here, and I'll do this with slash marks...there's like a low wall of cloth, and this might be bolts of cloth or something, you know, stacked... all I know is it's a low wall of cloth....and, I get an impression that, this being the entrance. You'll have to tell me if I leave anything out, 'cause I'm tryin' to...there's a lot of things goin'...through my mind here. This is the road...and this is a road.
- #66: A low wall of cloth, like-
- #01: These are like, uh, low, a low wall of stacked bolts of cloth or something. Then there's a road, road, and this is the inter-section over here...And there's, I see what appear to be metal plates. These are two metal plates right here. Oh, back up in here, there's something, uh, and I can't tell what this is, but it's got a very brassy or shiny appearance to it, back up in here, and it's very large. And I feel like, uh, in this area right in here, while I'm drawing this square, there was a truck-like grill, okay?...With lights. And, I don't know what that is but it's a truck-like grill with lights fastened to it.
- #66: Um...I don't want to interrupt you, but I do want to mention to you that, if I recall correctly, as you were scanning through

7
SECRET

SECRET

- #66: the room, there were two times that you mentioned weapons. But I only see one time where you indicate seeing some sort of weapons.
- #01: Over here in this area there's weapons... Okay, and there's also...
- #66: Are they different than the others?
- #01: No.
- #66: Okay.
- #01: I get this feeling for old fashioned rifles. You know, I don't mean going back to flintlock or anything like that, but they're like, they're old M-1 Garrends or something, you know, like second world war vintage. And uh, I get a feeling like, uh, a couple of these old...men might of have a weapon of some sort with them, but I'm not sure about that.
- Uh...metal plates...these might've been, this might've been stone here, too. In page three I got an impression of, "A", I get an impression, uh...like a concrete wall...with iron rungs, this, I was getting this impression.
- #66: Okay, in relation to what?
- #01: In relationship to the steel plates in the floor.
- #66: Oh, all right...
- #01: These metal rungs.
- #66: So that's 3A, then, is metal rungs.
- #01: Right...metal rungs... And then I was getting this, metal ring, like a piece of supporting iron, or something...that's "B". And then I was getting, uh, these double, sort of doubled steel plates. And looking at the end, okay, I'll draw an end view, it appeared that there was like steel plate, and then like a hinge piece, and a steel plate...sort of like this....
- #66: Is that, again, a different view of the steel, uh, the metal plates you've drawn in the floor, then?
- #01: Right.
- #66: Did you see anything else of interest? I asked you to look at the floor, uh, and...you never got beyond the steel plates...
- #01: Well, then, okay, I kept getting corridors mixed in with this, because at the same time you were askin' me to, you asked me to do activity or something.
- #66: Right.

SECRET

SECRET

- #01: I saw people coming and going and I was gettin' corridors. And then when you, you asked me about the metal plates and where the rungs were, then I saw like a "T" intersection...let's see if I can draw this, this'll be page four, this is a very interesting thing... I saw a "T" intersection suspended in the air... like this, and I had, uh...it was like all superimposed, one over the other, and I saw these rungs in concrete, like this... And I don't...and like these were corridors...and then on page five I'll show you the different views I had of these corridors. I saw...I saw a...like a supporting piece of stone, or something. Like this...that isn't very good...I don't know how to draw these damn things... Like this was a corridor...went this way, then I was standing in the end, and I was looking down this corridor, it went like this, and that's when I said I was getting, like a tunnel effect. And, uh...then I saw a corridor that was, like down the end and I saw other corridors connected to it... Both sides, like this. And they went a long, long way...
- #66: Okay, when I asked you to see where the corridors went or what they went to, you didn't seem to be attracted to any one thing other than-
- #01: They're all interconnected.
- #66: It seemed to be rather vast from your description.
- #01: Yes, very...like catacombs. That'd be a good way of expressing what they are... We'll call 'em catacombs, 'cause that's what they reminded me of... Uh...I had...this isn't anything to draw, but it's just an impression I had like in the two different kinds of activities...it's like I was looking at two places and two activities separated by, uh, like a real thin veil of some sort, like a separator, a physical separator of some sort. But I don't know how to explain that... It's like both activities are happening without the...full involvement of either.
- #66: What are the natures of these two activities?
- #01: One is distinctly just the coming and going, and the other is the old men talking, and I don't...I don't know how to translate either one, other than the old men talking, it's predominantly old time talk and has a religious flavor, whereas the young men talking and coming and going has a political flavor but an old fashioned flavor to it as well.
- #66: Okay, you had talked before about, something about vending? Is that associated with-
- #01: Yeah, this, I get a distinct feeling like there's a, uh, some form of vending like, uh, meaning, uh, somethings being bought and sold, or somethings being dealt in this tent, I dont-
- #66: You originally, at the very beginning of the session thought it might be cooking-

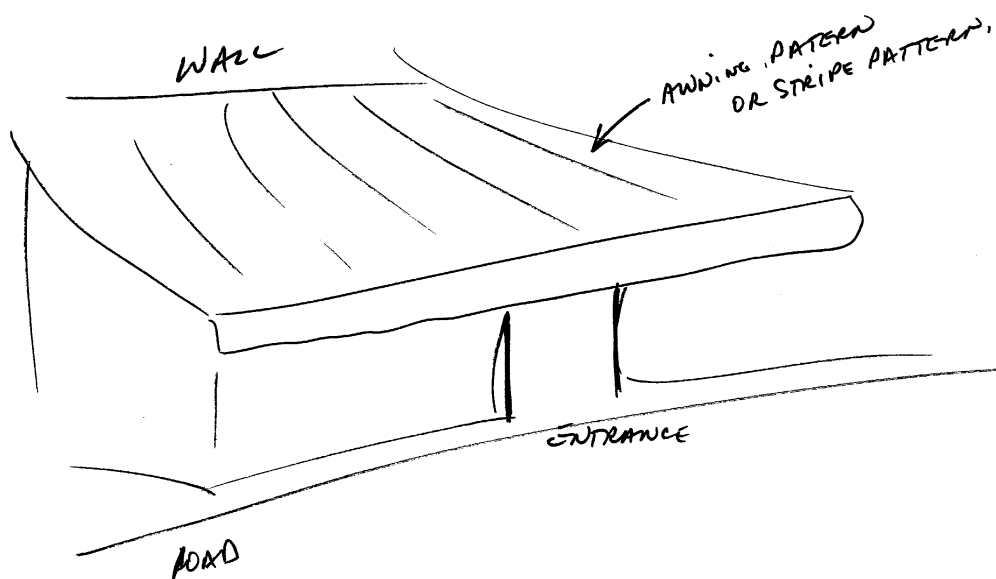
SECRET

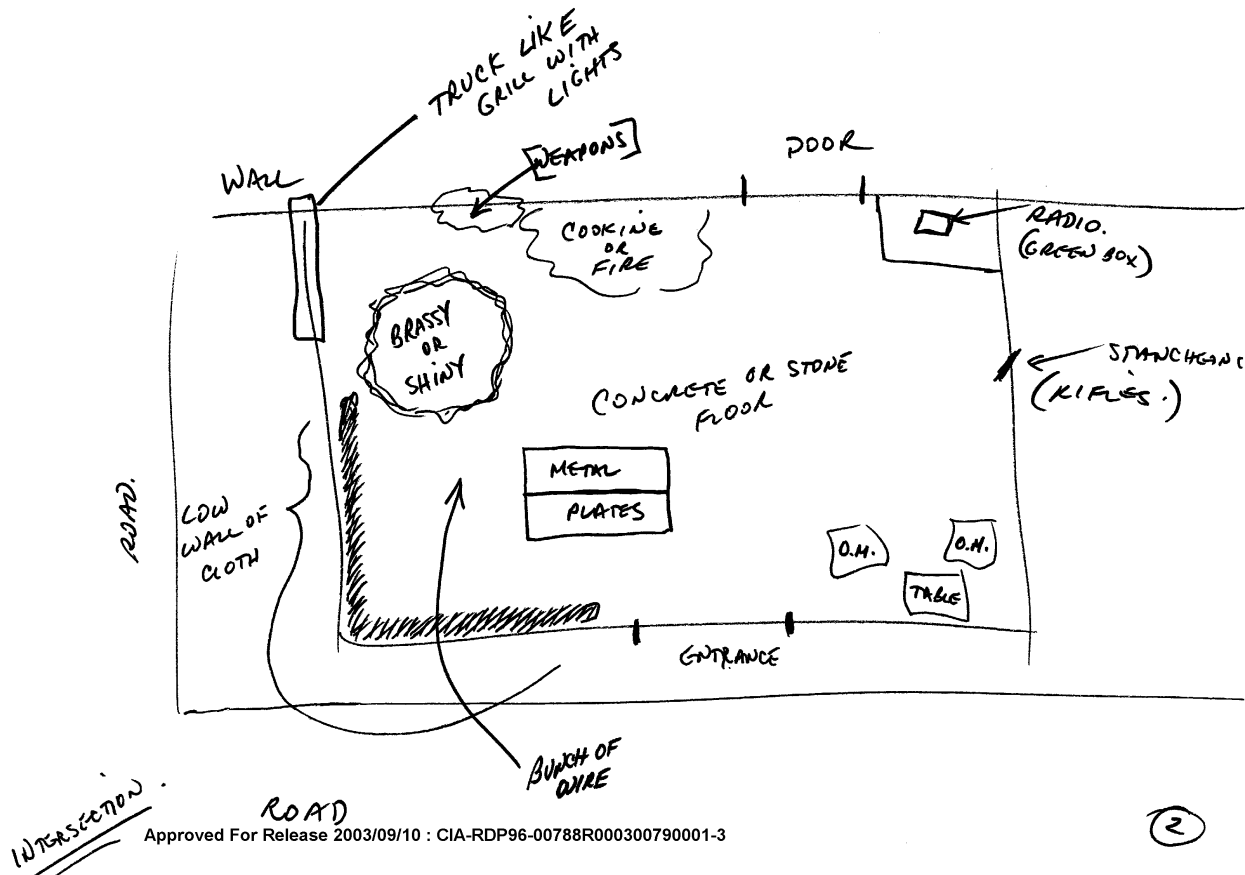
SECRET

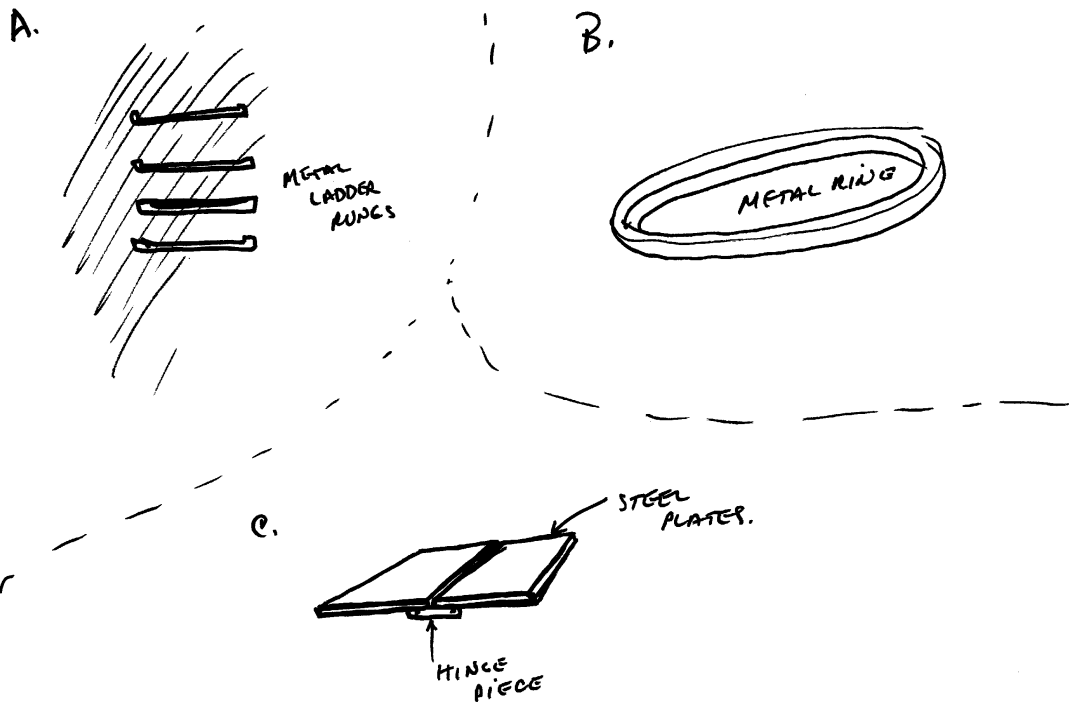
- #01: Yeah, it might be a place to come and sit and drink tea, or something, you know, that of a, a very light vending, you know, not like unloading tons of goods every year, or not like a retail business of any sort, but like a very small, you know, barely making it type of enterprise...
- #66: Okay, and the young men, uh, then you said previously, didn't have anything to do with the vending.
- #01: No, I don't think they did.
- #66: Okay. I'd like to go back to your drawing #2, here. Going through my memory you mentioned weapons, a radio, and then at one time I thought you mentioned a coil of wire, or coils of wire. Do you recall that?
- #01: Yeah. I did. I said there was a bunch of wire, there was like a, and I don't know how to explain that, but it's in this area, somewhere in this area. I think I said bunch of wire, I don't...
- #66: Okay...
- #01: I don't know what it looks like or anything, I just sensed that there was a bunch of wire there. Just an answer that came to me. It was right after the brassy or shiny thing, it's definitely not the brassy or shiny thing.
- #66: And this wire, what type of wire is it?
- #01: It's not coated wire, it's more like fence wire.
- #66: Okay, uh, it's...you're, do I understand you to believe that it's more like fence wire than communication wire of some kind?
- #01: More or less...oh, yes, yeah, it doesn't carry any kind of intelligence, any form of intelligence. It's more like a binding wire, or a wrapping wire, or a fence wire, or a... wire you'd use in a screen or something... Oh, and I kept, yeah, on page five where I drew all these different tunnel like, effects these catacomb type corridors, as I began to get that I was also getting the impression of a black hole, like a black square, like looking into a black hole of some kind. I don't know if that's a tunnel entrance, or a doorway, or a window, or what it is, but it's associated with the tent.
- #66: Okay. Anything else?
- #01: That's all.
- #66: Okay...Thank you.

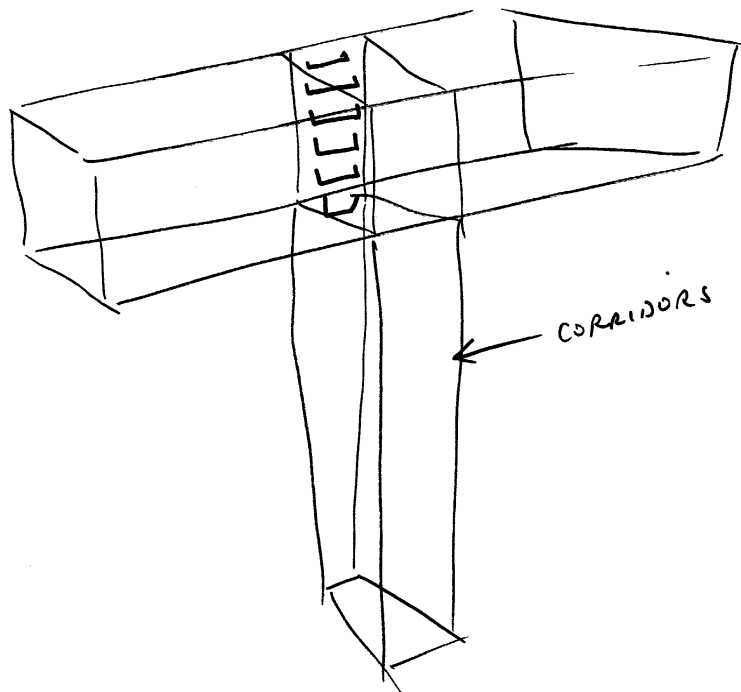
SECRET

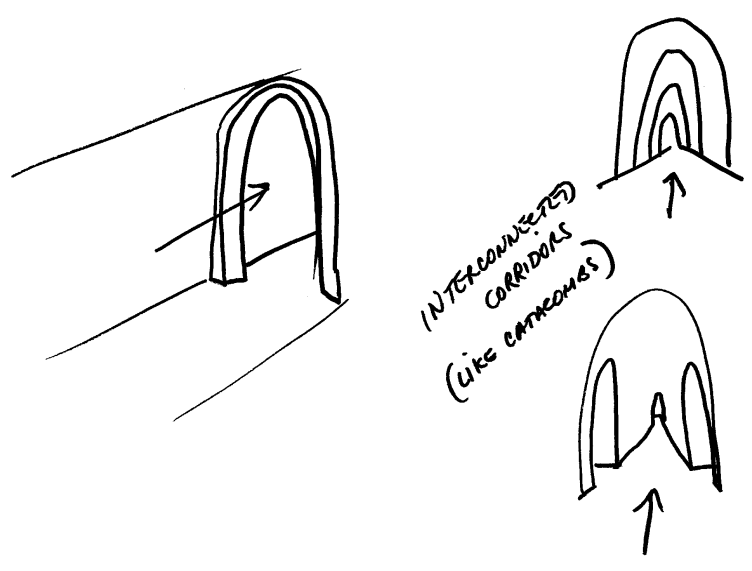
TAB











TAB

SECRET

TARGET CUING INFORMATION

REMOTE VIEWING (RV) SESSION D-2

SG1A

1. (S/NOFORN) Prior to the session the viewer was shown the attached map
[redacted] and an overhead photograph (not included due to classifica-
tion of the target area). His attention was directed towards [redacted]

SG1
A

SG1A

2. (S/NOFORN) During the session once the viewer had located the target tent
without cuing, he was asked to elaborate on his impressions.

NOT RELEASABLE TO FOREIGN NATIONALS

SECRET

