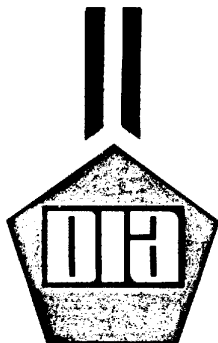


SECRET

January 1983




DEFENSE  
INTELLIGENCE  
AGENCY

PROJECT GRILL FLAME (U)  
OPERATIONAL TASKS

Prepared by

SG1J

 (DT-5A)  
Defense Intelligence Agency  
Washington, D.C. 20301

H. E. Puthoff, Ph.D.  
L. A. Lavelle  
Radio Physics Laboratory  
SRI International  
Menlo Park, CA 94025

SRI/GF-0236

This document  
contains 46 pages

Copy No. 5

CLASSIFIED BY: DT-5A  
REVIEW ON: January 2003

NOFORN  
WNINTEL

SECRET

**SECRET**

CONTENTS

LIST OF ILLUSTRATIONS . . . . . v

I PROJECT GRILL FLAME HISTORY. . . . . 1

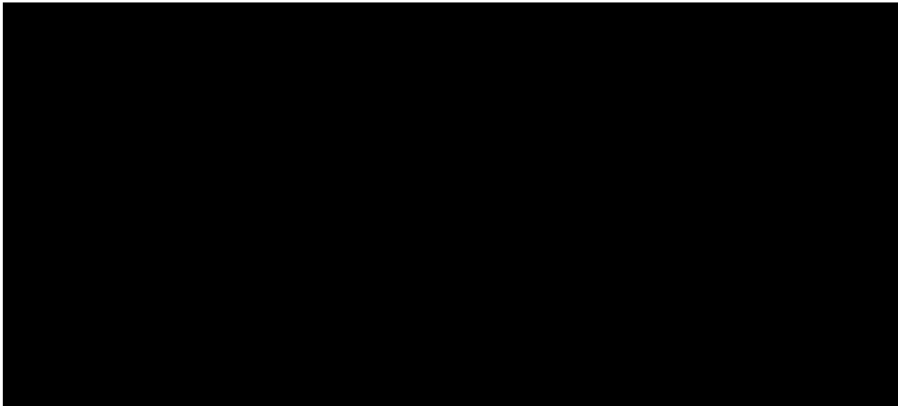
- DoD/Intelligence Psychoenergetics Program Funding (SRI) . . . . . 2

II GRILL FLAME REMOTE VIEWING (RV) PROGRAM. . . . . 3

- A. RV Phenomenon--Definition , . . . . . 3
- B. RV Application to Intelligence Requirements . . . . . 3

OPERATIONAL SITES

- Semipalatinsk, USSR, URDF-3 (PNUTS) . . . . . 5



SG1A

**SECRET**

**UNCLASSIFIED**

THIS PAGE INTENTIONALLY LEFT BLANK

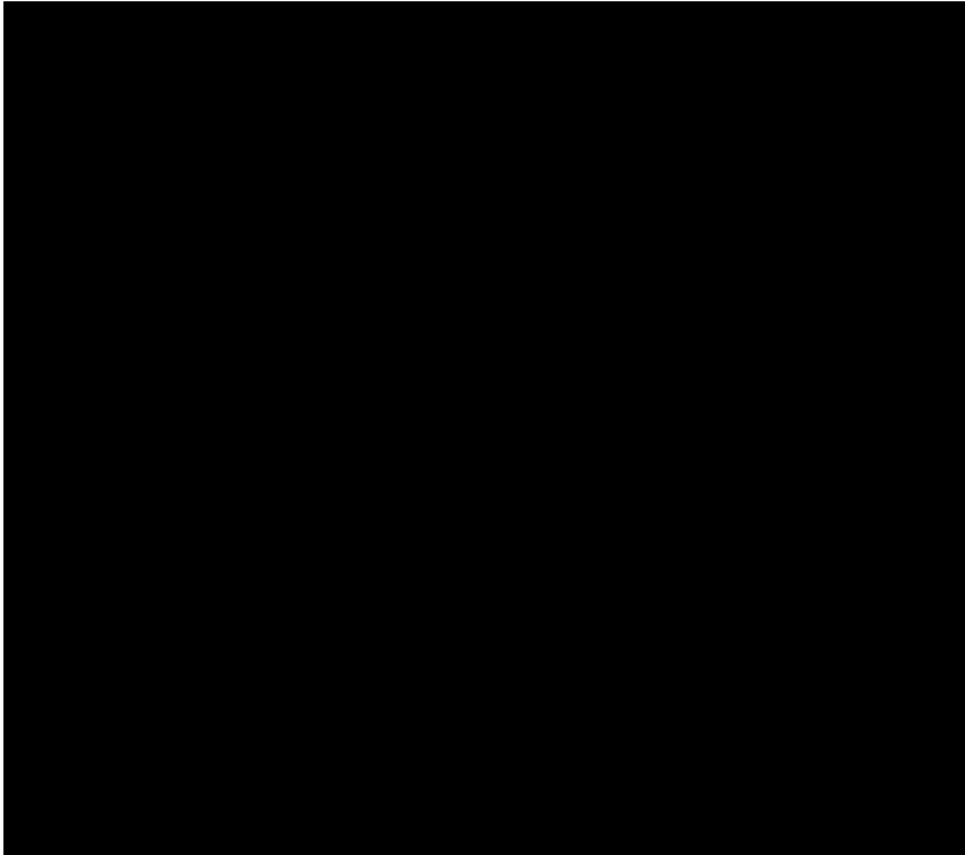
iv

**UNCLASSIFIED**

**SECRET**

ILLUSTRATIONS

Comparison of Target Site and Drawing by Remote Viewer of PNUTS Site. . . . .	6
Detail Generated by Remote Viewer on Cylinder Cluster and Gores for Sphere Fabrication (PNUTS Site) . . . . .	7



SG1A

v  
**SECRET**

**UNCLASSIFIED**

THIS PAGE INTENTIONALLY LEFT BLANK

vi

**UNCLASSIFIED**

**SECRET**

I PROJECT GRILL FLAME HISTORY

Project Grill Flame is a DoD/Intelligence program set up for the following purposes:

- To assess the potential for U.S. applications of developments in parapsychology ("ESP," Psi, Psychoenergetics).
- To determine the threat potential of corresponding Soviet/East Bloc efforts.

Major Decision Points

- 1972 - Startup of a continuous effort, still ongoing, involving SRI International as major contractor, and a number of agencies as sponsors (CIA, FTD, MIA, DIA, etc.).\*
- 1978 - Effort compartmentalized under codeword GRILL FLAME.
- 1979 - In-house applications program set up by Army's Intelligence and Security Command (INSCOM).
- 1980 - Joint Services Integrated Program set up under single-agency (DIA) management to handle external contracts.

---

\* See funding chart, next page.

**SECRET**

**SECRET**

(S) DOD/INTELLIGENCE PSYCHOENERGETICS  
PROGRAM FUNDING (SRI)

Date	Organization	Budget Thousands of \$
1971-75	CIA	\$195
1975-76	NAVELEX	74
1976-79	FTD, WRIGHT-PATTERSON AFB	300
1977-80	MIA, REDSTONE ARSENAL	281
1978-80	AMSAA, ABERDEEN PROVING GROUND	230
1978-80	DIA	228
1979-80	ARMY INSCOM	75
<u>JOINT PROGRAM</u>		
FY 1981	DIA	300
	ARMY INSCOM	130
FY 1982	DIA	330
	ARMY INSCOM	185
FY 1983	DIA	340

SG1A

SECRET

**SECRET**

**SECRET**

## II GRILL FLAME REMOTE VIEWING (RV) PROGRAM

A. RV Phenomenon--Definition

Remote viewing (RV) is the ability of certain individuals to access and describe, by means of mental processes, information blocked from ordinary perception by distance or shielding. Targets for remote viewing have ranged from small objects in nearby light-tight canisters to remote technical facilities at intercontinental distances, from numbers generated at random in a computer, [REDACTED]

SG1A

B. RV Application to Intelligence Requirements

Since the early 1970s, SRI International has been tasked by the DoD/Intelligence communities to assess the potential of remote viewing for intelligence applications, both to enhance the potential for U.S. applications, and to provide data that would be useful in assessing the threat potential of corresponding Soviet/East Bloc applications. To carry out this task, SRI has responded to operational requirements set by intelligence community representatives monitoring the progress of the work.

The investigations have shown that remote viewing, both by SRI and Army INSCOM personnel, has in many cases provided meaningful descriptions of, e.g., East-bloc targets of interest to the intelligence community. Evaluation by appropriate intelligence community specialists indicates that a remote viewer is able by this process to generate useful data corroborated by other intelligence data. As is generally true with other human sources, the information is fragmentary and imperfect, and therefore should not be relied on alone but is best utilized in conjunction with other resources. Although efforts to establish the precise degree of

3

**SECRET**



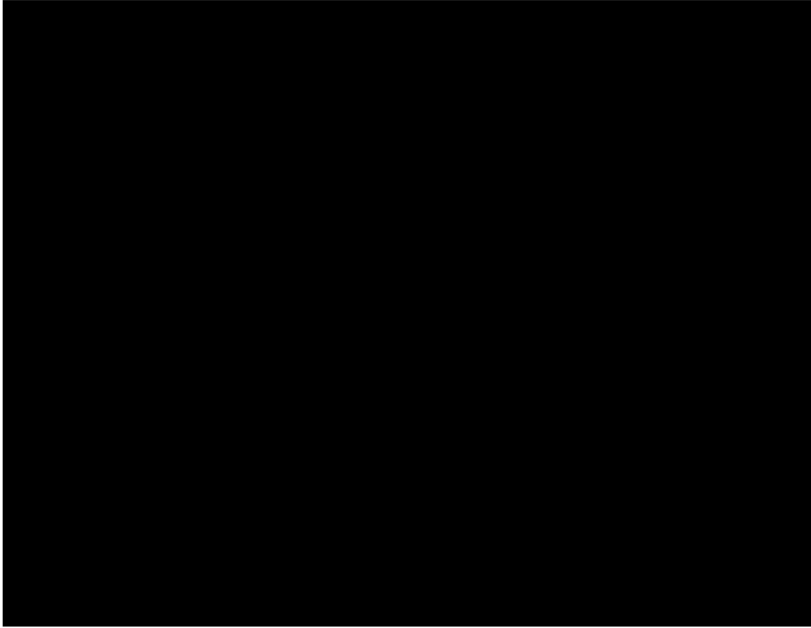
**SECRET**

accuracy and reliability are not yet complete, the data generated by the RV process appears to exceed any reasonable bounds of chance correlation or acquisition by ordinary means and therefore constitutes an exploitable information source.

Successful operational viewings carried out by the SRI team for the DoD/Intelligence communities include:

- A secret NSA facility, including codeword retrieval.
- Soviet R&D facility at Semipalatinsk (PNUTS).

SG1A



Results from some of these tests are presented here as examples.

**SECRET**

**SECRET**

CLIENT: CIA

SITE: Semipalatinsk, USSR, URDF-3 (PNUTS)

SITE/EVENT DESCRIPTION:

URDF-3 is an unidentified R&D facility located at Semipalatinsk, USSR; also known in the intelligence community as PNUTS.

Site is characterized by:

- (1) A large rail-mounted crane, several stories tall.
- (2) Large metallic gores which comprise a sphere (or spheres) buried underground.

INFORMATION PROVIDED TO REMOTE VIEWER:

- (1) Coordinates of the site (latitude and longitude in degrees, minutes and seconds).
- (2) Viewer told site was an R&D facility in the Soviet Union.
- (3) Viewer and interviewer otherwise blind as to site.

RESULT:

Remote viewer narrated a description which was tape recorded, and remote viewer rendered (among others) drawings shown on following two pages, indicating:

- (1) The presence of the large crane, correctly identified as to size.
- (2) Assembling of large spheres from metallic gores.

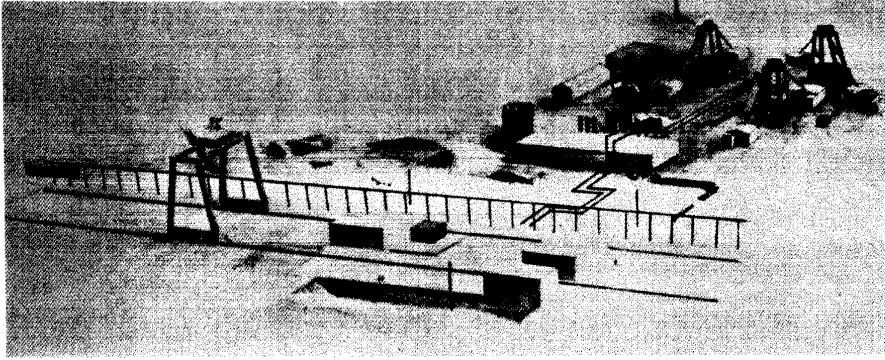
REFERENCES:

- Puthoff, H. and R. Targ, "Perceptual Augmentation Techniques (U)," Final Report, SRI Project 3183, Stanford Research Institute, Menlo Park, CA (December 1, 1975), SECRET.
- Kress, K. A., "Parapsychology in Intelligence: A Personal Review and Conclusions," Studies in Intelligence, Vol. 21, No. 4, pp. 7-17 (Winter, 1977), SECRET/NOFORN.

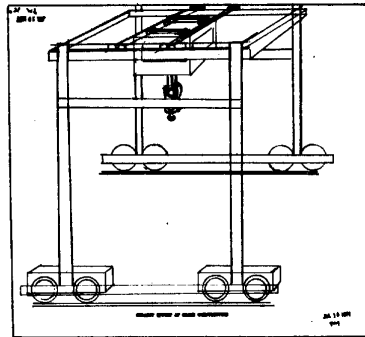
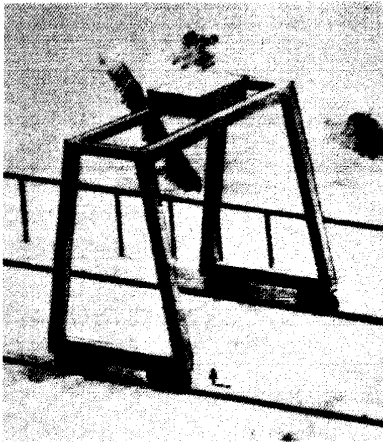
5

**SECRET**

**SECRET**



(a) TARGET SITE



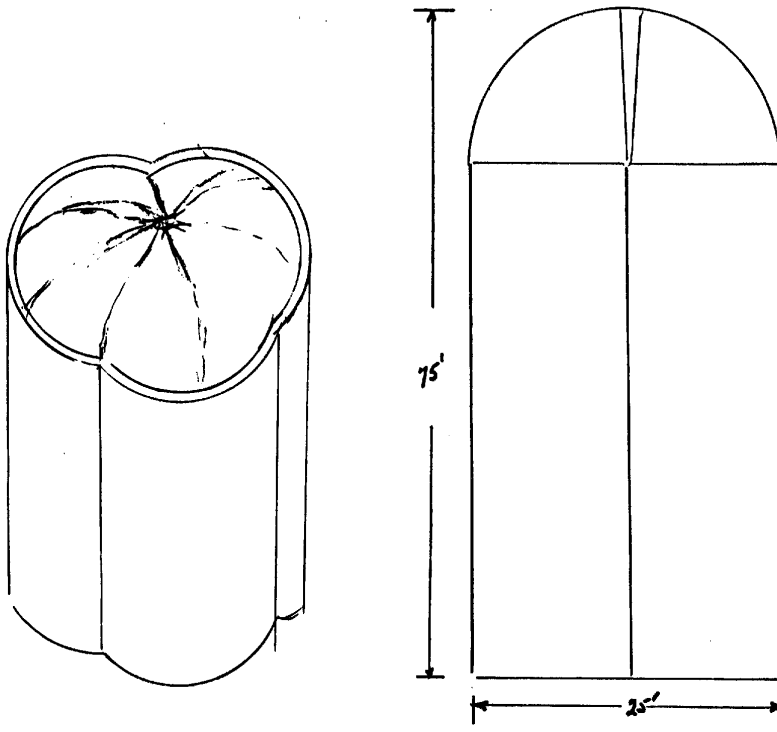
(b) CRANE COMPARISON

**SECRET**

(U) COMPARISON OF TARGET SITE AND DRAWING BY REMOTE VIEWER

**SECRET**

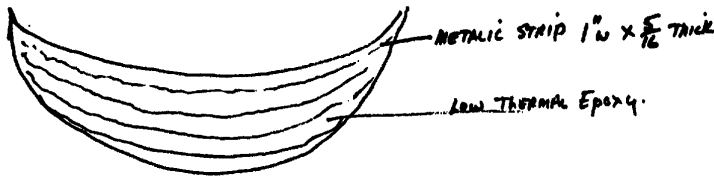
UNCLASSIFIED



(a) CYLINDER CLUSTER

JUL 10 1974  
PM K\*

SEGMENT of METALIC STRIP  
EMBEDDED IN LOW THERMAL Epoxy.  
IN ELECTRICAL BLDG.



(b) SPHERE FABRICATION

Row N/Left DRAWN 6-18-74  
FROM PRIME  
JUL 18 1974 (P)

UNCLASSIFIED

(U) DETAIL GENERATED BY REMOTE VIEWER ON CYLINDER CLUSTER AND GORES FOR SPHERE FABRICATION

UNCLASSIFIED

**UNCLASSIFIED**

THIS PAGE INTENTIONALLY LEFT BLANK

8

**UNCLASSIFIED**

Next 6 Page(s) In Document Exempt

**UNCLASSIFIED**

THIS PAGE INTENTIONALLY LEFT BLANK

16

**UNCLASSIFIED**

SG1A

Approved For Release 2000/08/07 : CIA-RDP96-00788R001100340001-3

Approved For Release 2000/08/07 : CIA-RDP96-00788R001100340001-3



**UNCLASSIFIED**

THIS PAGE INTENTIONALLY LEFT BLANK

18

**UNCLASSIFIED**

SG1A

Approved For Release 2000/08/07 : CIA-RDP96-00788R001100340001-3

Approved For Release 2000/08/07 : CIA-RDP96-00788R001100340001-3

**UNCLASSIFIED**

THIS PAGE INTENTIONALLY LEFT BLANK

**UNCLASSIFIED**

Next 2 Page(s) In Document Exempt

**UNCLASSIFIED**

THIS PAGE INTENTIONALLY LEFT BLANK

24

**UNCLASSIFIED**

Next 10 Page(s) In Document Exempt

**UNCLASSIFIED**

THIS PAGE INTENTIONALLY LEFT BLANK

36

**UNCLASSIFIED**

Next 2 Page(s) In Document Exempt



**UNCLASSIFIED**

THIS PAGE INTENTIONALLY LEFT BLANK

40

**UNCLASSIFIED**