

018  
9 MAR 89  
0838  
FT. MEADE  
SOLO

P.I. ~~ANALY~~ ANALY  
A.U. NONE.

COORDINATES STAND FOR CONTENTS OF OBJECTS SHOWN  
IN OVERHEAD PHOTO.

748464  
~~86290~~

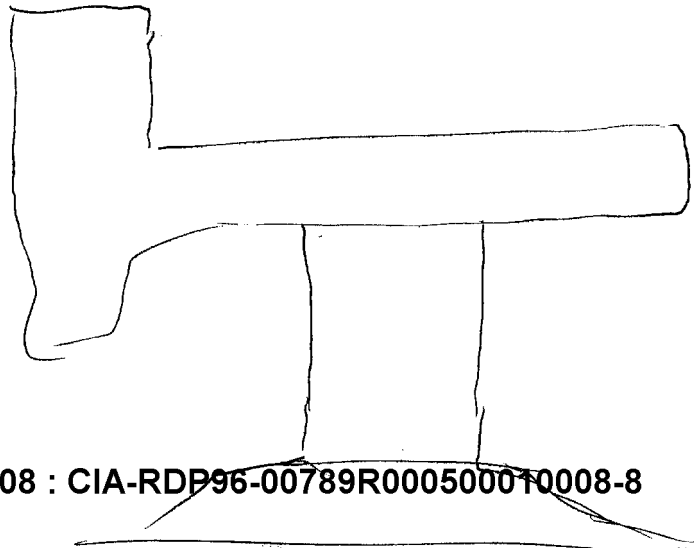
A: ROUND & ROUND  
TRACES  
SHOTS  
B: OBJECT.

C: GOLDEN COLOR  
DARK  
TRACES

ACR BAK  
COPPER COILS.  
ACR BAK  
COPPER WIRE.  
ACR BAK  
VISUAL

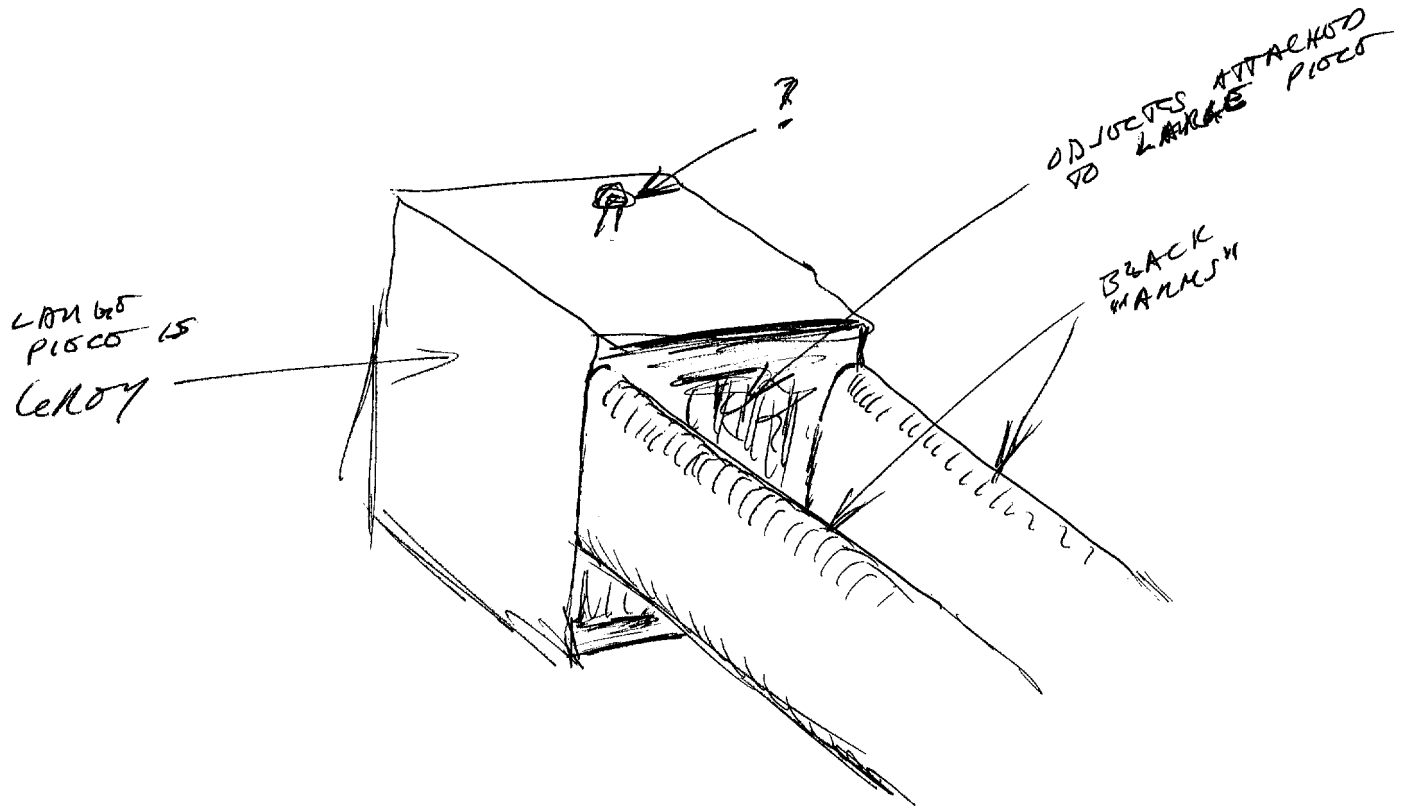
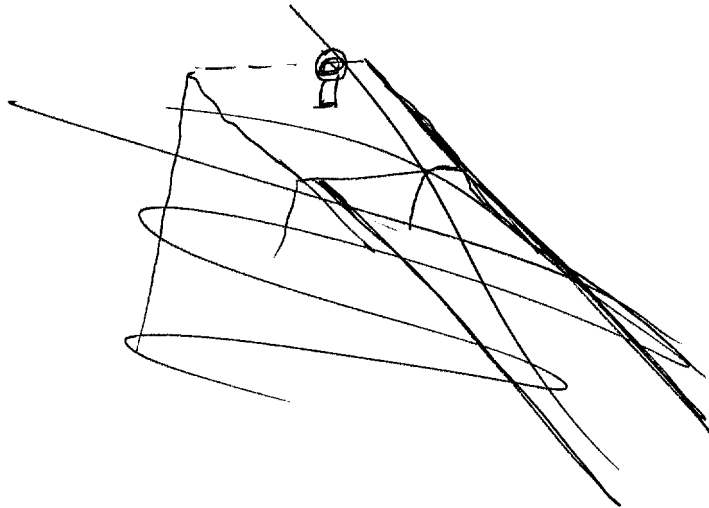
ACR SCOTCH

~~SECRET~~



(2)

BOX A<sub>3</sub>



3

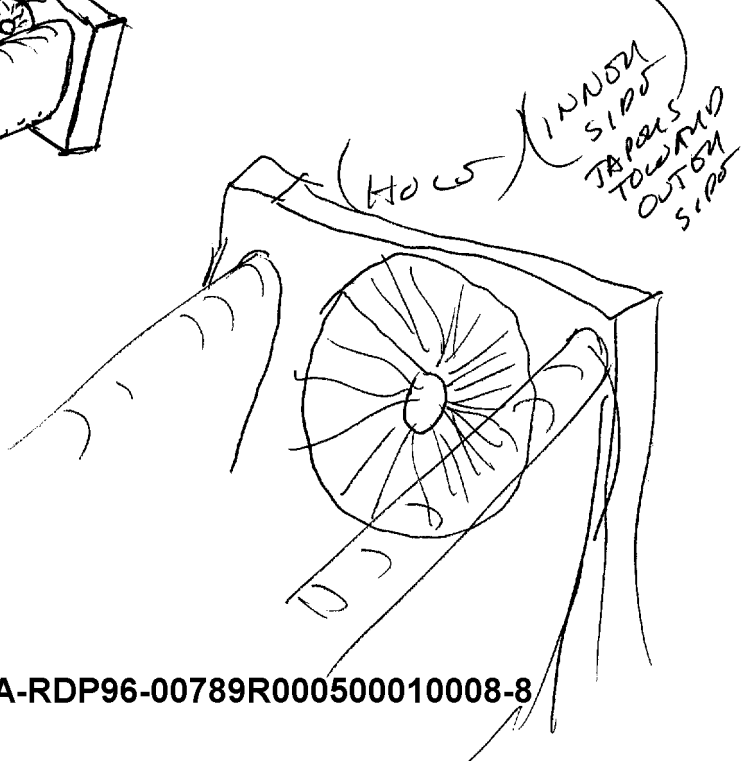
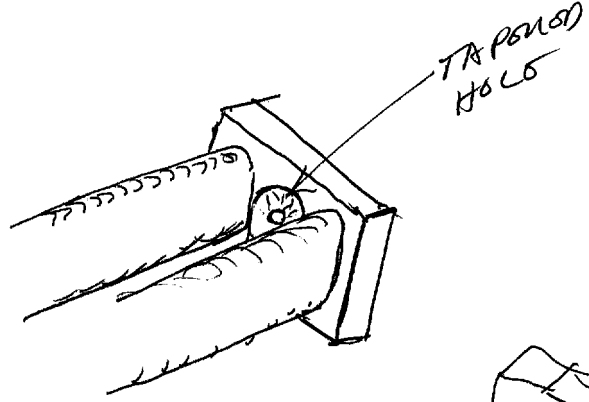
748464  
862900

A: ACROSS  
USING  
HMMO  
SMOOTH  
BL OBJECT.

SZ:  
LANCE  
MISTAKIC  
SMOOTH

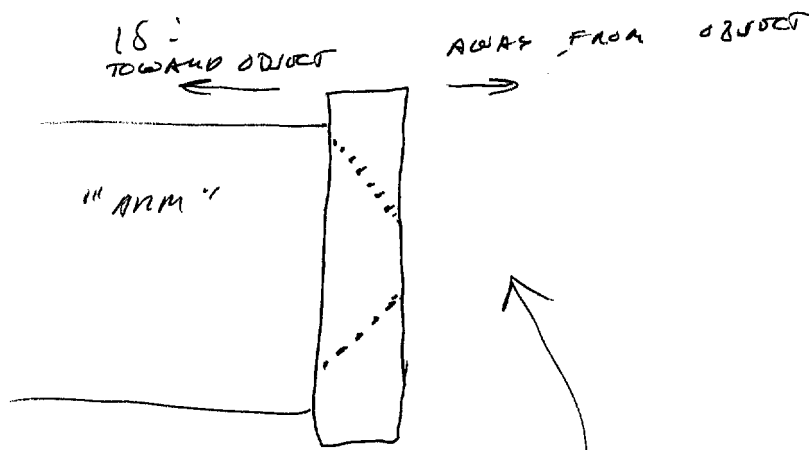
LONG  
HOLLOW SOUND

AN AMIC  
USUAL



4

S4 1/2  
PERCEPTION (VISUAL) OF AN  
"END PLATE" WHICH HAS A  
TAPPING HOLE IN IT.  
CROSS SECTION OF THIS PLATE



AOL: BUCK  
F502 OF  
IONIZED AIR,  
ALWT HOLE

5

AUSA "B"

748464  
~~8629000000~~

A: ROUND + ROUND  
SWEETLY

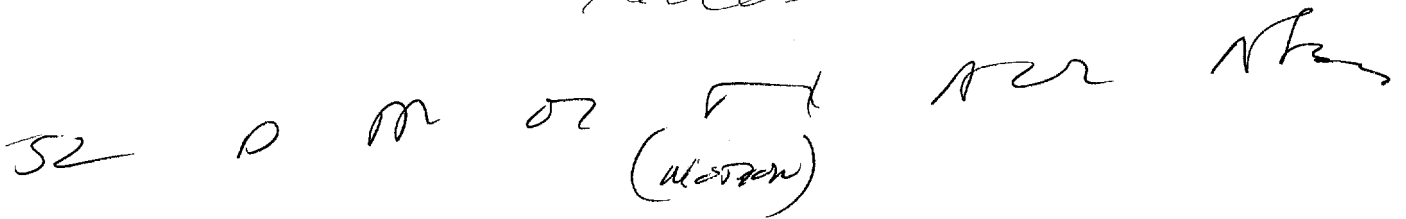
B: ~~\_\_\_\_\_~~

SZ: CONSTANT MOTION



LOOPING MOTION

\_\_\_\_\_



LOOPING ROUND + ROUND

CONSTANT  
STROKE  
FAST

A/B,  
SOMETIMES  
SILENTLY  
OFF-CENTRE.

AD MK

LIKE A LEAN WHICH  
MAINTAINS A CONSTANT  
"WOBBLE" <sup>WHETHER IT TURNS</sup> BECAUSE OF <sup>ITS</sup>  
OFF-CENTRE OF ITS  
SPINDLES

(4)

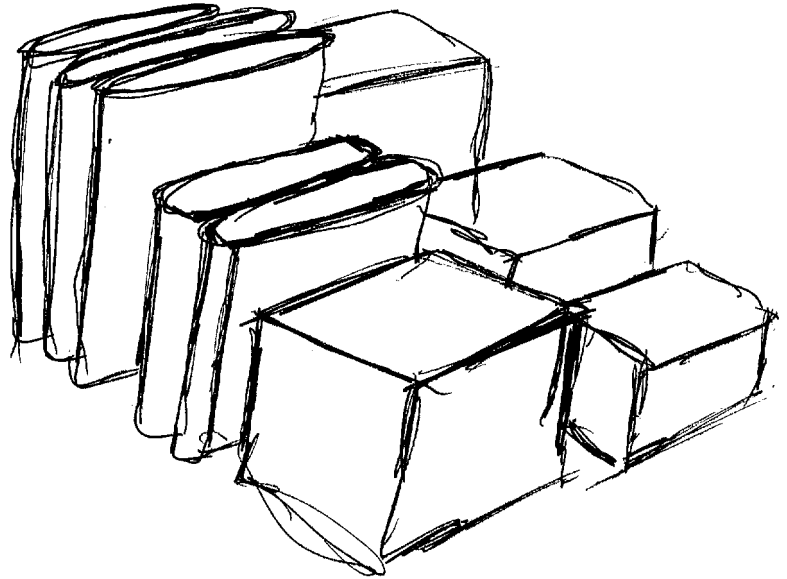
BOX 'B'

52    0    07    07    T    1    Dec    dhr

LARGE  
VERTICAL  
ROUND  
THIN  
TALL  
NARROW  
CROWN

"TRINKETS"

SEE:



DARK  
BLACK  
DARK LEAD  
DARK DISTRESSED LEAD,  
COVERED

54 1/2 IN CONSTANT USE, ALWAYS

"TURNED ON + RUNNING"



"B"

S2 0 M 0 T 1 RR x/s  
(18")

WMM ~~MM~~  
MOTOR FORCE  
VIBRATION  
POWERFUL

NOW-MOVING

WMM

~~WMM~~ WMM  
WMM  
FEELS COZY  
& NICE-  
FEELS LIKE  
SOME PLACE  
TO TAKE A  
NAP.

HUMMING SOUND

"DRIVER"  
"PRO -"  
"PRODUZ 1"

"B"

(8)

S2

D

OT

OT  
("B")

1 ml AB.

PNO POU

PNO-(MOTION)  
FOU

PNO

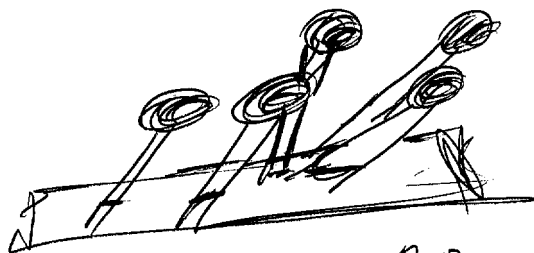
"PNO PALATZ"

Wmay

"PNOUOZ"

BROOK

OTTS 100 BOXES



AOL PNIK  
CONTROL WOUNDS,

AOL PNIK

HYDRAULIC

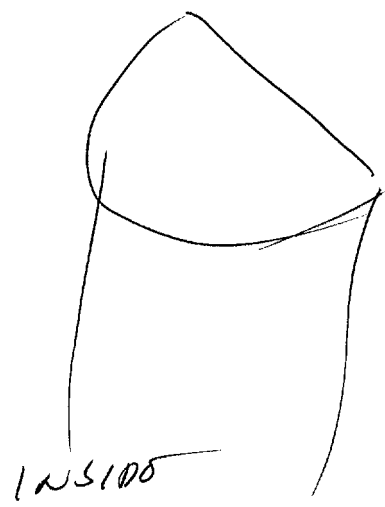
CONTROL WOUNDS.





"C"

S2 D M O T I RZ B  
"C"



LIGHTS  
PAPERS  
DRAWINGS

HUGE  
LARGE  
TALL

LT UNIT

SIGNAL

"BUMPING" NOISE

IRREGULAR BUMPING NOISE.

NR MR  
LIKE A CHAIN BORN  
PULLED ACROSS A  
STRAP CORNER.

(18)

SZ 0 ml of T, Anal.

u/i small

warm

at ml pleasant smell.

(small)

now

warm

clean

now equipment smell

cool to touch.

at BK.

JUST OUTSIDE PART OF "C"  
BEHIND THIS ROUNDER PART

AND GOT A  
PHYSICAL JOET

1ST IMPRESSION WAS  
THAT OF A SOURCE  
FIELD - TOSLA COLL.



(11)

BROOK

NATIONALITY

AOL/S  
ITALIAN  
AOL ~~CHINESE~~  
CHINESE

(NOTE: ACCESSIBLE PERSONNEL)

SZ    P    OL    OL    T    I    DEL    ALL  
(NATIONALITY)

ONLY  
ROCKY  
HOMES

HILLY  
"R1"  
"AWEE R1"  
"R1!"

VERY SHORT "KID" MAN IN UNIFORMS.

WHITE HATS  
FEAT TOPPED HATS,  
BLACK HAT BOWLS.

54 1/2 NOT PART COLOR TO UNIFORM, BUT  
"CHALKY" COLOR - "CHALKINESS" TO COLOR.  
"CHALKY" O.D. - LIKE COLOR.

(12)

S2 D M U T W R S,  
"PEOPLE"

TALL  
SMALL  
WIRY

NOT BIK  
JURKS.

CAUCASIAN

BONY/MUSCLED FACE.

S4 1/2: Am I hearing the language, but  
DON'T RECOGNIZE IT. MOSTLY  
VOWELS + SCURRED CONSONANTS. -  
CONSONANTS ARE ALMOST SWALLOWED.

NOT BIK  
LIKE FRENCH,  
BUT DOESN'T SOUND  
FRENCH.

"UMOMO DAVAT"

NOT BIK  
DAVAT IS RUSSIAN

S4 1/2 I ASKED THE RADIO MAN TO SAY "OWE"  
GOT RESPONSE: "ODNDH"  
OR "OH-DUN"

WOUND SOUNDS RUSSIAN, BUT NOT BIK  
BULLSHIT.

SHIPS NAME  
(SOME ACCESSIBLE NAMES MEX)

"KNAW TINI"

"KNOIDON"

"CROY"

"K-ARODEN"

(SOME OF PHONETICALLY BY NAME MEX)

0580 AND MISSISS